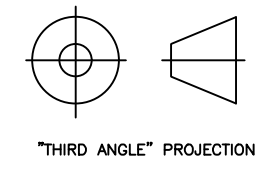
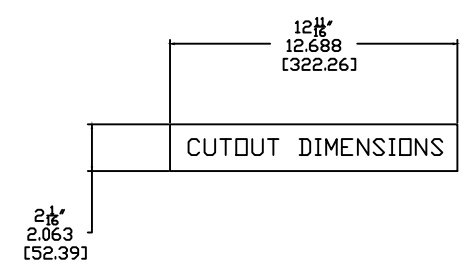
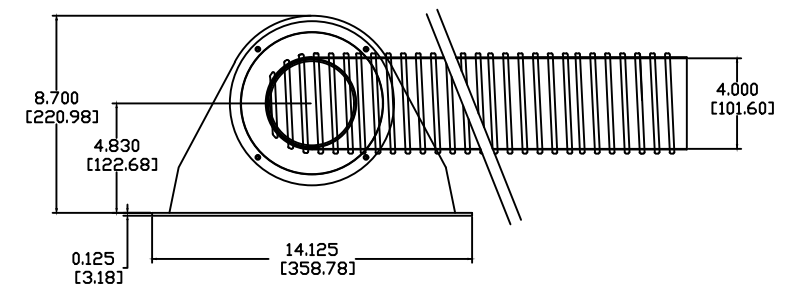
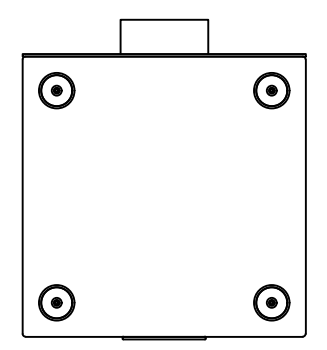
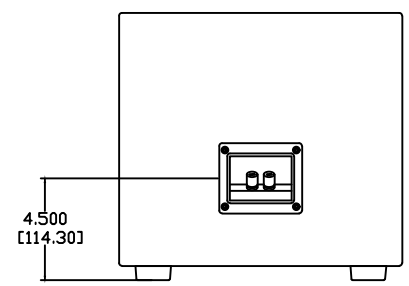
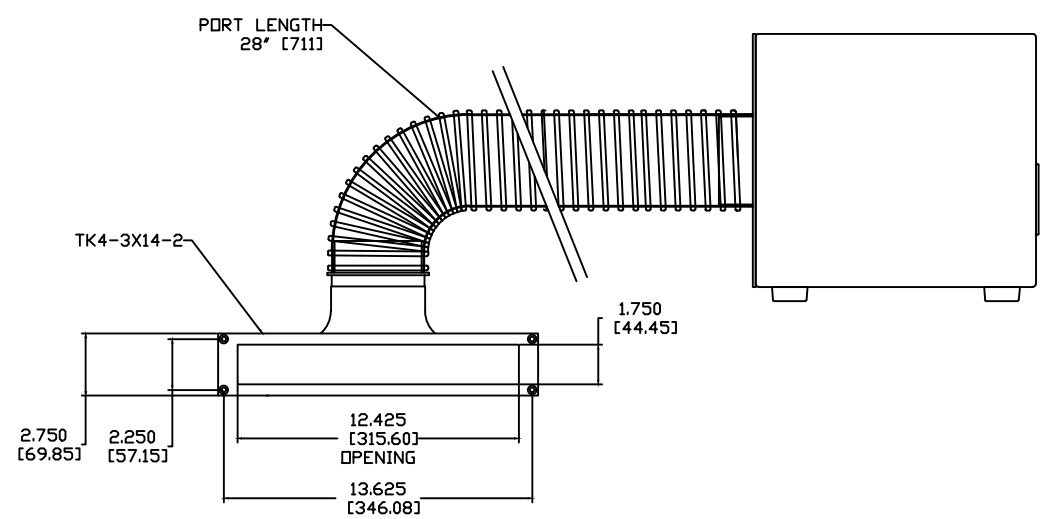
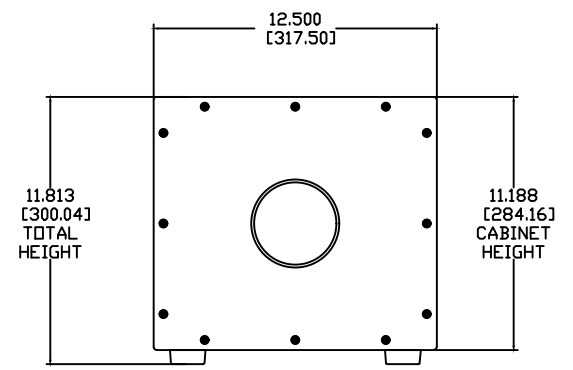
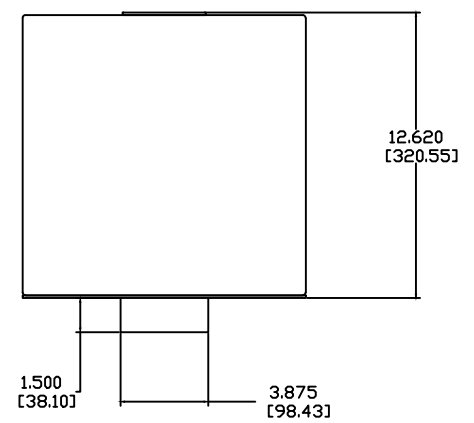


REVISIONS				
ECN	REV.	DESCRIPTION	DATE	APPROVED
	A	RELEASE FOR PRODUCTION	11-05-08	
	B	CHANGED HOLE DIAMETER ON FRONT PLATE	06-19-09	
	C	ADDED UNC 8-32 HOLES TO BOTTOM AND TERMINAL	04-16-14	K. EBELING
	D	ADDED PIPE, TOEKICK	08-21-15	K. DUNLEA
	E	DRAWING UPDATED, PORT PLATE REVISED	10-31-18	



NOTES:

- 1: MATERIAL - 5052 ALUMINUM UNLESS OTHERWISE SPECIFIED
- 2: FINISH: STUDIO BLACK POWDER COAT UNLESS OTHERWISE SPECIFIED
- 3: PORT LENGTH : 4" DIA. @ 28" LONG

PROPRIETARY INFORMATION
 THE DESIGNS, INFORMATION, AND DATA CONTAINED HEREIN ARE PROPRIETARY AND ARE SUBMITTED IN CONFIDENCE, AND SHALL NOT BE DISCLOSED, USED OR DUPLICATED IN WHOLE OR IN PART, FOR ANY PURPOSES WHATSOEVER, WITHOUT THE PRIOR WRITTEN PERMISSION OF JAMES LOUDSPEAKER LLC, 535 AIRPARK RD, NAPA, CA 94558. THIS LEGEND SHALL BE MARKED ON ANY REPRODUCTIONS HEREOF IN WHOLE OR IN PART. RECEIPT OF THIS DOCUMENT SHALL BE DEEMED TO BE AN ACCEPTANCE OF THE CONDITIONS SPECIFIED HEREIN.

JAMES LOUDSPEAKER	
1000PTM	
EXTERNAL DIMENSIONS	
P/N: -	DWR #: 150821-K100
REVISED BY: S. LOESCH	
DRAWN BY: M. PARK	FILE:
DATE: 11-05-08	SCALE:
APPROVED:	
DRAFTING APPROVED:	
DO NOT SCALE DRAWING	
DRAWING NOT TO BE USED FOR CNC	
TOLERANCES: ANG: ± = .5°	FRACT. ± = 1/32
DECIMALS: .XX ± = .01	.XXX ± = .005
REVISION: E	SHEET 1 OF 4