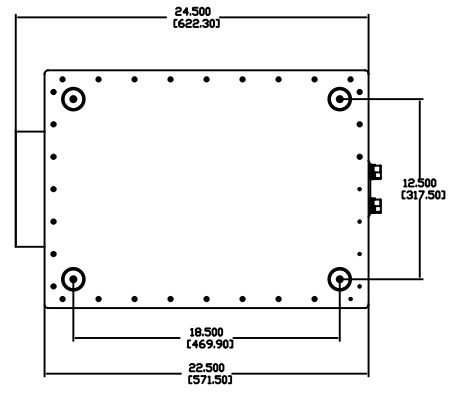
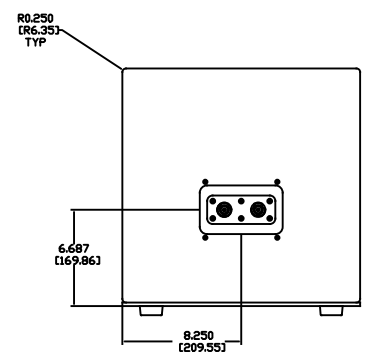
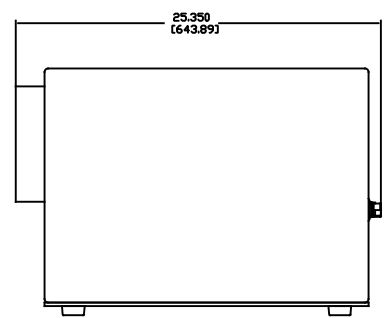
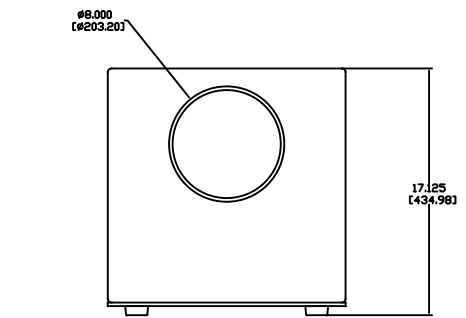
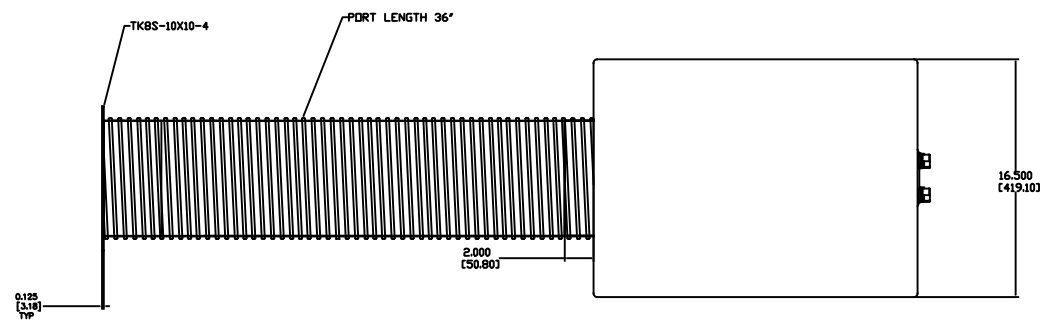
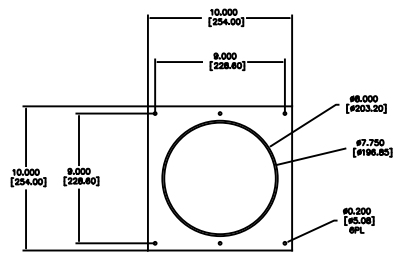


REVISIONS				
ECO	REV.	DESCRIPTION	DATE	APPROVED
	A	RELEASE FOR PRODUCTION	06-12-08	
	B	ADD HOLES FOR FEET ON COVER PLATE	02-18-16	K. DUNLEA



- NOTES:**
- 1: 1/4" THICK 5052 ALUMINUM
 - 2: MARINE GRADE HARDWARE
 - 4: DRIVER: DRV.15.001
 - 3: TOE KICK - TKBS-10X10-4

JAMES LOUDSPEAKER

150OPTM

EXTERNAL DIMENSIONS

P/N: - DWR #: 080612-A01

REVISED BY:

DRAWN BY: M. PARK FILE:

DATE: 06-12-08 SCALE:

APPROVED:

DRAFTING APPROVED:

DO NOT SCALE DRAWING

DRAWING NOT TO BE USED FOR CNC

TOLERANCES: ANG: ± = .5° FRACT: ± = 1/32

DECIMALS: .XX ± = .01 .XXX ± = .005

REVISION: B SHEET 1 OF 3