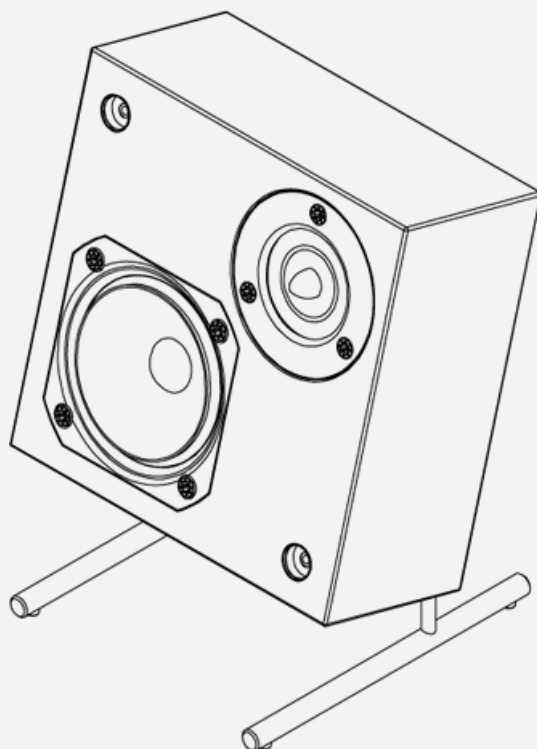


# Artcoustic<sup>AC</sup>

## SL TARGET MINI

Owners manual



# WELCOME TO THE WORLD OF ARTCOUSTIC

Congratulations on your purchase of the Artcoustic SL Target Mini passive monitor.

This multi-purpose monitor shares many characteristics with the other models in the SL range. Maintaining Artcoustic's clean contemporary design, the Target mini SL has been designed to match all modern flat screen monitors.

Target mini SL - This is a very flexible loudspeaker, designed for use in smaller rooms for home cinema or HiFi, and multi-room applications in kitchens, bedrooms, studies, etc.

Partner it with an Artcoustic Subwoofer for a truly full-range, dynamic performance.

Thank you for purchasing the Artcoustic SL Target Mini.

All the best,  
The Artcoustic Team

# FEATURES

EXTREMELY SMALL AND COMPACT CABINET

DESIGN WITH LOW DISTORTION

LOW POWER CONSUMPTION

WIDE FREQUENCY RESPONSE 70 HZ TO 40 KHZ

FAST, EASY, AND SIMPLE INSTALLATION

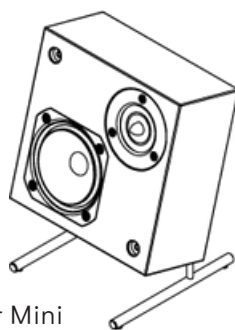
SUITABLE FOR A WIDE RANGE OF APPLICATIONS

from HiFi Systems and Multi-Room Systems to smaller Home Cinemas.

Ultra-slim aesthetically pleasing cabinet design, designed to complement the latest LED screen designs.

Choose from a vast range of colour options from NSC and RAL to match your cabinet colour and screen to your interior. Artcooustic has created a true all-rounder, covering most medium SPL applications, where high performance and aesthetics is a focal point.

## COMPONENTS OVERVIEW



SL Target Mini

### HIGH FREQUENCY DRIVER

Dual Ring Radiator diaphragm with highly linear suspension and low loss surrounds for high clarity and clean transient response. Copper caps for better HF extension and lower distortion and wave-guide center plug, copper-clad aluwire.

### WOOFER

Extra long excursion and aluminium Short Circuiting Ring, 4-layer voice coil, anodised aluminium for improved heat dissipation, combined with Distortion Reduced Motor.

### CROSSOVER

6 dB/octave low pass and 12 dB/octave high pass filter.

# SPECIFICATIONS

## TRANSDUCER

LF-MF 1 x 3 inch cones

HF 1 x 1 inch Dual Ring Radiator

## CROSSOVER

Low Pass Filter 6 dB/octave 1000 Hz

High Pass 12 dB/octave 4000Hz

## CONNECTION

Single amped Gold Plated Push Terminals

## PERFORMANCE

Operating Range 70 Hz (-3dB) to 40 kHz

Nominal Beamwidth Horizontal 90° Vertical 90°

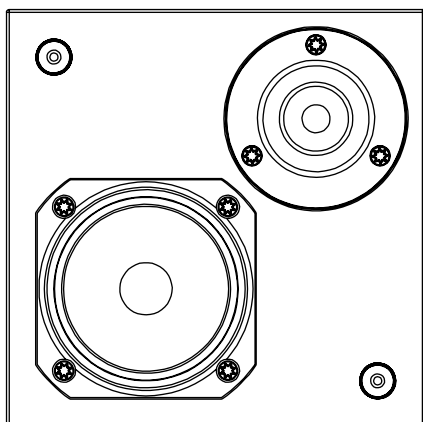
Sensitivity 1 Watt @ 7 ohm 86 dB Full Space, 89 dB Half Space

Long Term SPL 30 Watt 98 dB Full Space, 101 dB Half Space

Short Term (Damage) SPL 55 watt 101 dB Full Space, 104 dB Half Space

Input Impedance Nominal Minimum 7 ohms

Recommended High pass filter 100 Hz 24 dB / Octave



## TRANSDUCER



LF-MF 1 x 3 inch cone  
HF 1 x 1 inch  
Dual Ring Radiator

## OPERATING RANGE

70 Hz — 40 kHz

-3dB 70 Hz

## NOMINAL BEAM WIDTH



Horizontal 90°  
Vertical 90°

## FINISH

Cabinet: Black, White,  
RAL, NCS.

Screen: Black, White,  
RAL, NCS,  
Artcoustic Art Gallery

## DIMENSIONS



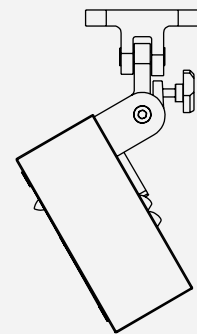
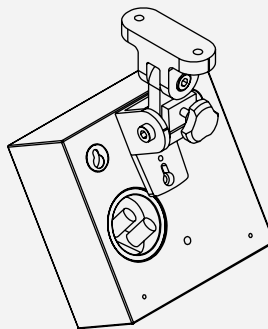
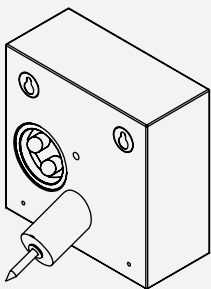
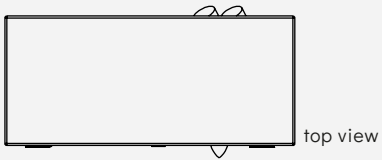
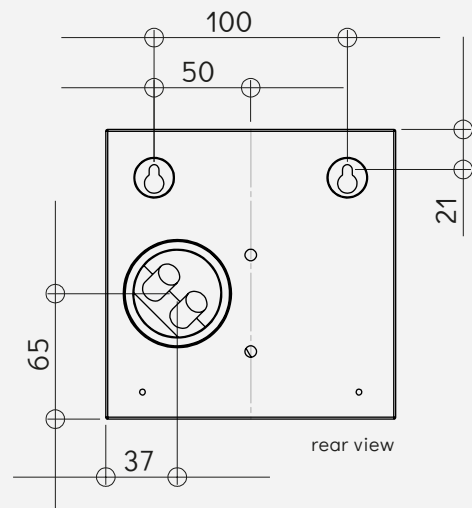
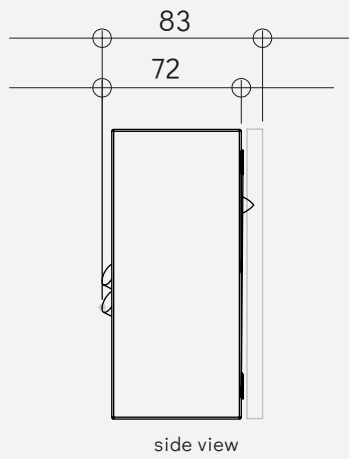
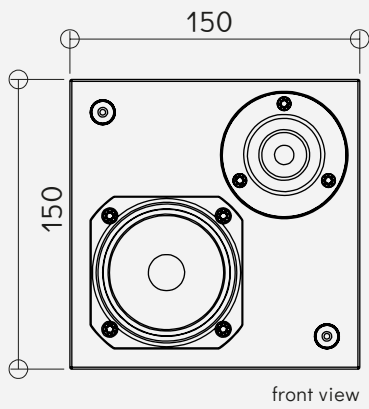
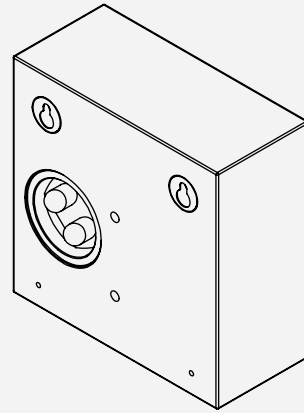
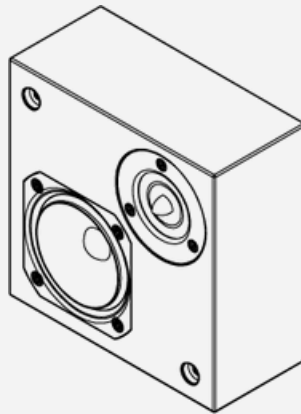
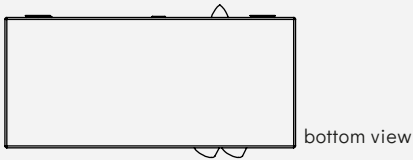
H: 150 W: 150 D: 72mm

## WEIGHT

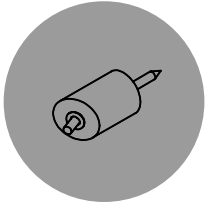


1.4 kg

# SCHEMATICS



# MOUNTING INSTRUCTIONS

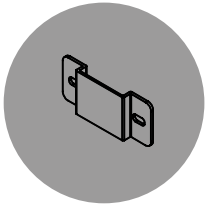


**Universal Alu Mount**  
Mount to wall with suitable wall plugs

Three diagrams illustrating the wall mounting process for the SL Target Mini speaker. The first diagram, labeled 'isometric rear view', shows the speaker's rear panel with a hole. The second diagram, labeled 'side view', shows a rectangular metal bracket with a hole. The third diagram shows the speaker being inserted into the bracket, with a label 'inserts' pointing to the mounting holes and 'wall' pointing to the plug being inserted into the wall.

**SL Target Mini**

Mount speaker to bracket, rotating clockwise

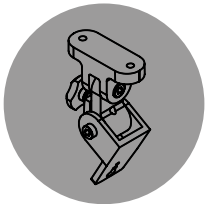


**Universal Bracket Mount**  
Attach bracket mount to speaker rear side

Three diagrams illustrating the wall mounting process for the Artcoustic Universal Bracket. The first diagram shows the bracket being attached to the rear of the speaker. The second diagram, labeled 'isometric rear view', shows the speaker with the bracket attached. The third diagram shows the speaker being inserted into a wall-mounted bracket, with a label 'inserts' pointing to the mounting holes.

**Artcoustic Universal Bracket**  
Mount Bracket to wall, with suitable screws

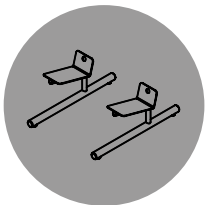
**SL Target Mini**  
Mount bracket to speaker



**Artcoustic Universal Bracket**  
Mount bracket to ceiling with suitable screws

Two diagrams illustrating the ceiling mounting process for the SL Target Mini speaker. The first diagram shows the speaker with the Artcoustic Universal Bracket attached to its rear. The second diagram, labeled 'isometric rear view', shows the speaker with the bracket attached, ready for installation.

**SL Target Mini**  
Mount bracket to speaker



**Speaker Stand**

A diagram showing the SL Target Mini speaker mounted on a stand. The stand consists of two metal legs with a hole at the top, which fits onto the speaker's base.

**SL Target Mini**  
Mount stands to speaker with supplied screws

# SAFETY INSTRUCTIONS

---

## SAFETY



Do not use this product near water



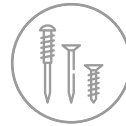
Clean rear panel with dry cloth only



Do not block any ventilation opening



Do not install near any heat sources



If wall mounted, ensure the use of matching screws and rawl plugs

---

## WARNING

This product complies with Part 15 of the FCC Rules. Its operation is subject to the following two conditions:

This product may not cause harmful interference.

This product must accept any interference received, including interference that may cause undesired operation.

Changes or modifications not expressly approved by the party responsible for compliance could void the user's authority to operate the equipment.

To reduce the risk of fire and electric shock do not expose this product to rain or moisture.



Do not place product filled with liquids such as vases on the product.



Do not open product. There are no user-serviceable parts inside.



Always use the power supply shipped with this product. Using a power supply with wrong voltage or polarity, can damage the electronics.



# WARRANTY

## IS APPLICABLE



Is valid only for products purchased from an authorised Artcoustic retailer or dealer.



Is valid from the date of purchase for a period of 3-years for passive loudspeakers, and 2-years for powered loudspeakers and electronics.



Is limited to the repair of the equipment (which could be a repair or replacement at our discretion, neither of which affects your original warranty).



Neither transportation nor any other costs, nor any risk for removal, transportation, and installation of products is covered by this warranty.

## IS NOT APPLICABLE

Will not be applicable in cases other than defects in materials and/or workmanship at the time of purchase and will not be applicable:

- For the deterioration of component parts, the nature of which is to become worn or depleted with use, such as batteries.
- For damages caused by incorrect installation, connection or packing.
- For damages caused by accidents, lightning, water, fire heat, war, public disturbances or any other cause beyond the reasonable control of Artcoustic and its appointed distributors.
- For damages caused by any use other than correct use described in the user manual, negligence, modifications, or use of parts that are not made or authorized by Artcoustic.

If it is found necessary to return the product for repair, you will be given a form to fill out and return. You should not return the product without previous acceptance. To validate your warranty, you will need to produce the original sales invoice or other proof of ownership and date of purchase.