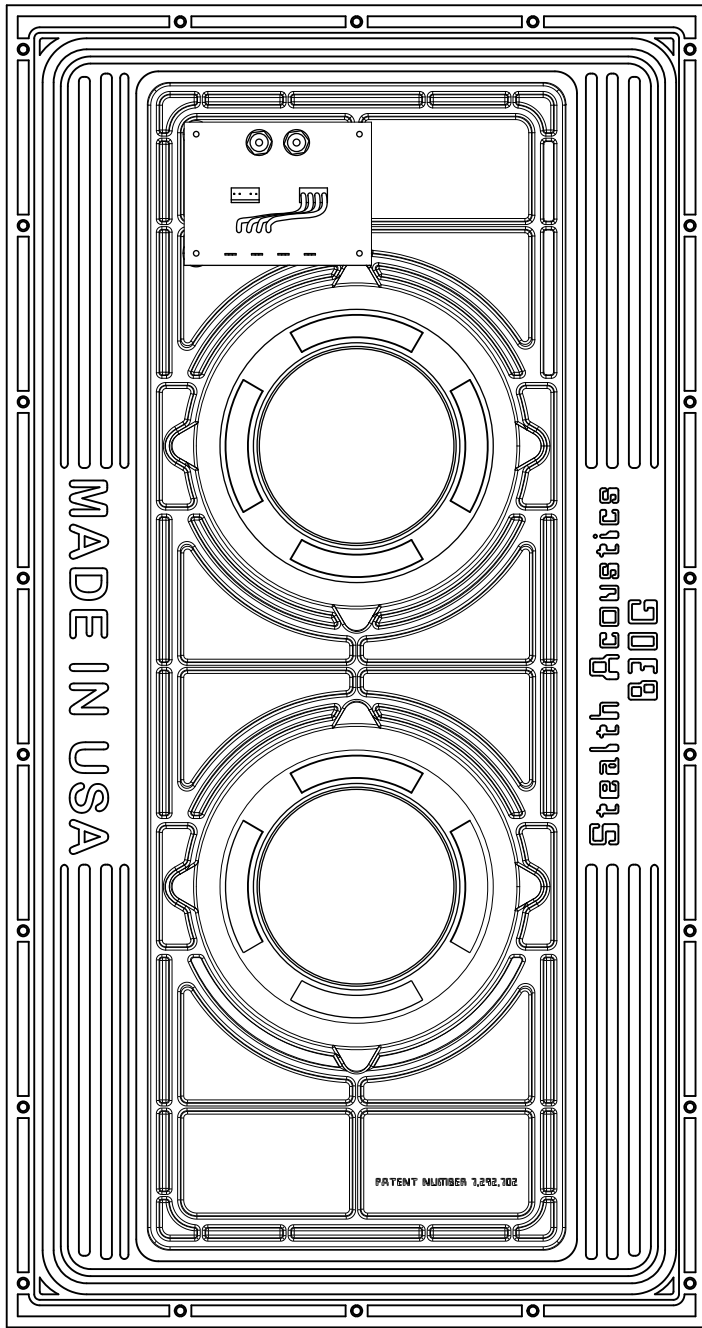
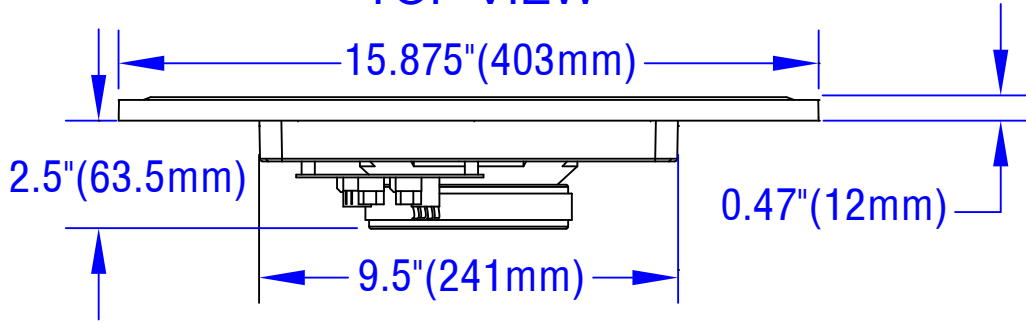
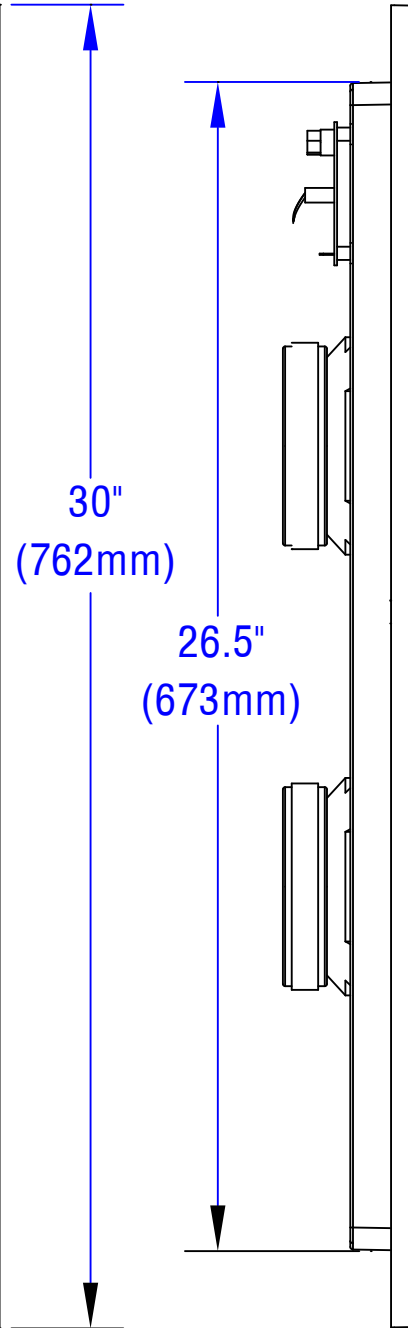


TOP VIEW



REAR VIEW



SIDE VIEW

DO NOT SCALE PRINT

Stealth Acoustics

B30G - DUAL INVISIBLE SUBWOOFER SYSTEM

FILE NAME: B30g.DWG 1120 ANDERSON ROAD, MOUNT VERNON, WA 98274
DATE: 12/28/12 Phone 360-848-6800 Fax 360-424-8872
SHEET: 1 OF 1 E-mail: stealth@dimensional.net www.stealthacoustics.com