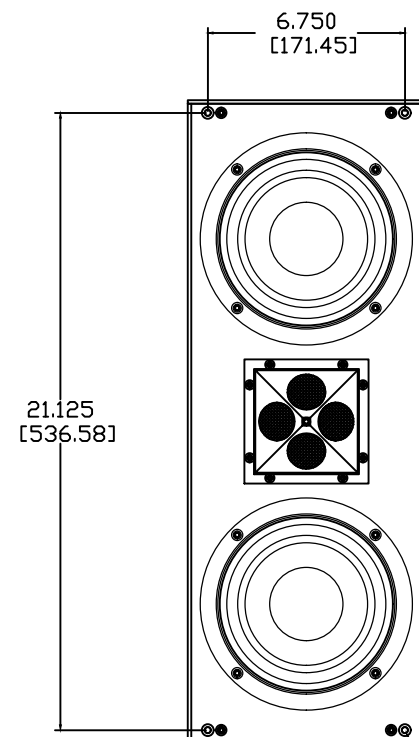
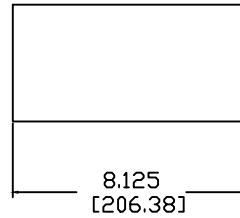
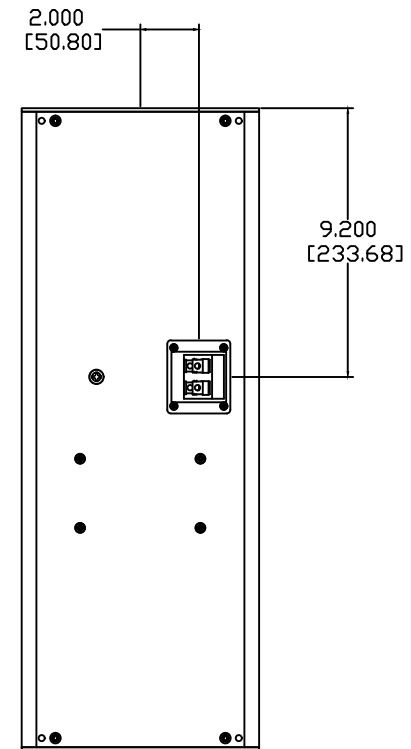
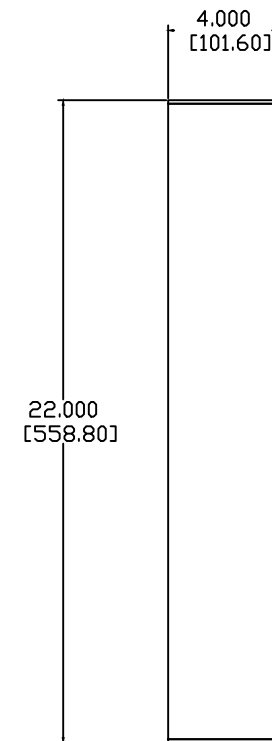
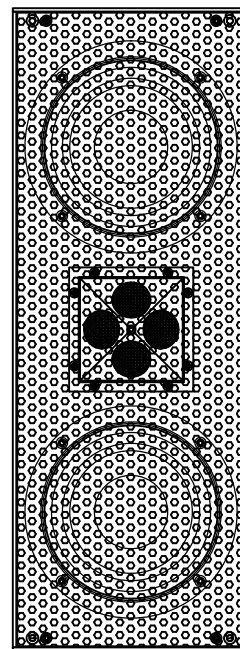


REVISIONS				
ECN	REV.	DESCRIPTION	DATE	APPROVED
	A	RELEASE FOR PRODUCTION	10-22-14	
19018	B	DRAWING UPDATED, SWITCHED TO SPL TERMINAL	04-29-19	
19034	C	CROSSOVER AND TERMINAL MOVED 70V OPTION ADDED	11-01-19	
21047	D	UPDATED WITH BUTYL TAPE AND END CAPS	09-16-21	

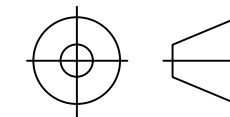


THRU-HOLE
MOUNTING
Ø0.199
[Ø5.05]
4PL



NOTES:

- 1: MATERIAL - SPL6 EXTRUSION
UNLESS OTHERWISE SPECIFIED
- 2: FINISH: TBD



"THIRD ANGLE" PROJECTION

PROPRIETARY INFORMATION
THE DESIGNS, INFORMATION, AND
DATA CONTAINED HEREIN ARE
PROPRIETARY AND ARE SUBMITTED
IN CONFIDENCE, AND SHALL NOT BE
DISCLOSED, USED OR DUPLICATED
IN WHOLE OR IN PART, FOR ANY
PURPOSES WHATSOEVER, WITHOUT
THE PRIOR WRITTEN PERMISSION OF
JAMES LOUDSPEAKER LLC, 2185
PARK PL, MINDEN, NV 89423. THIS
LEGEND SHALL BE MARKED ON ANY
REPRODUCTIONS HEREOF IN WHOLE
OR IN PART. RECEIPT OF THIS
DOCUMENT SHALL BE DEEMED TO
BE AN ACCEPTANCE OF THE
CONDITIONS SPECIFIED HEREIN.

JAMES LOUDSPEAKER

OW63Q

EXTERNAL DIMENSIONS

P/N: -

DWR #: 141025-Y00

REVISED BY: L. PETERSON

DRAWN BY: K. EBELING

DATE: 10-25-14

APPROVED:

DRAFTING APPROVED:

SCALE:

TOLERANCES: ANG: ± = .5° FRACT. ± = 1/32
DECIMALS: .XX ± = .01 .XXX ± = .005

REVISION: D

SHEET 1 OF 4