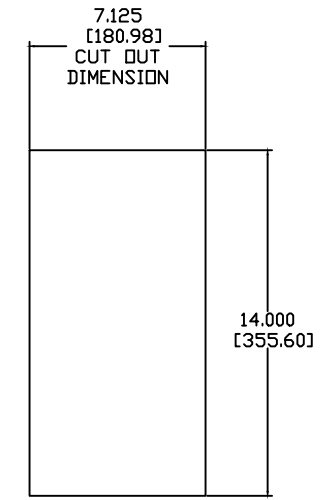
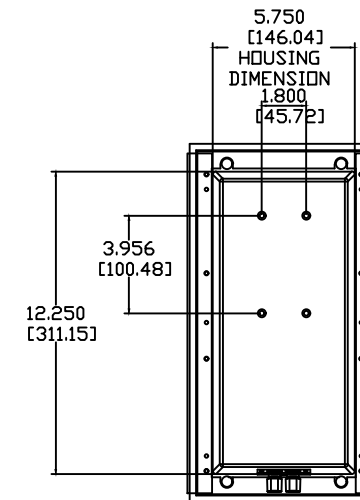
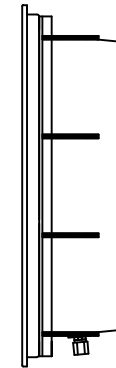
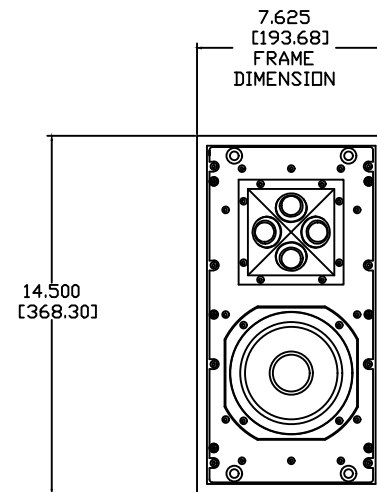
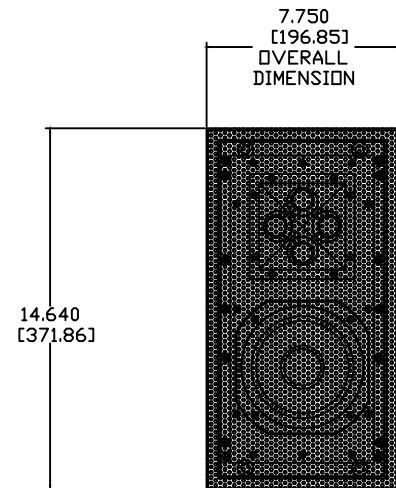


REVISIONS				
ECD	REV.	DESCRIPTION	DATE	APPROVED
	A	PRELIMINARY	11-12-12	
	B	DRIVER CHANGE	02-11-14	
	C	CHANGED HOUSING DIMENSIONS	03-06-14	
	D	ADDED HOLES FOR XOVER	04-17-14	



**NOTES:**

- 1: 0.125" THICK 5052 ALUMINUM OTHERWISE SPECIFIED
- 2: FRONT PLATE-STUDIO BLACK FINISH
- 3: HOUSING-CLEAR COAT FINISH

**JAMES LOUDSPEAKER**

**QX520**

EXTERNAL DIMENSIONS

P/N: QX520 DWR #: 131007-X01

REVISED BY:

DRAWN BY: M. PARK FILE:

DATE: 10-07-13 SCALE:

APPROVED:

DRAFTING APPROVED:

DO NOT SCALE DRAWING

DRAWING NOT TO BE USED FOR CNC

TOLERANCES: ANG: ± = .5° FRACT: ± = 1/32

DECIMALS: .XX ± = .01 .XXX ± = .005

REVISION: D

SHEET 1 OF 1