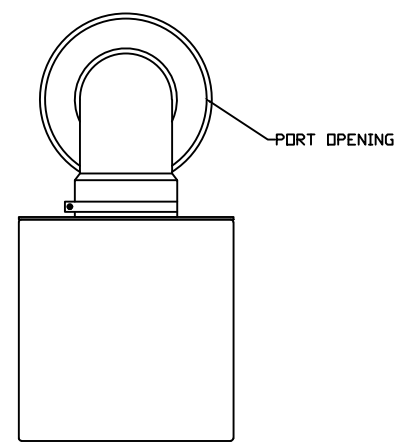
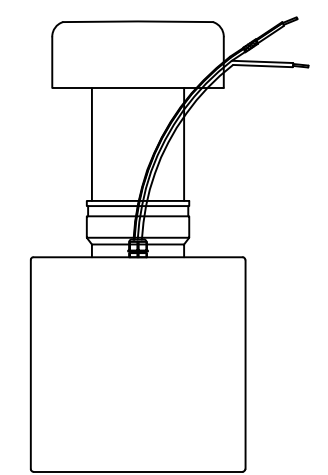
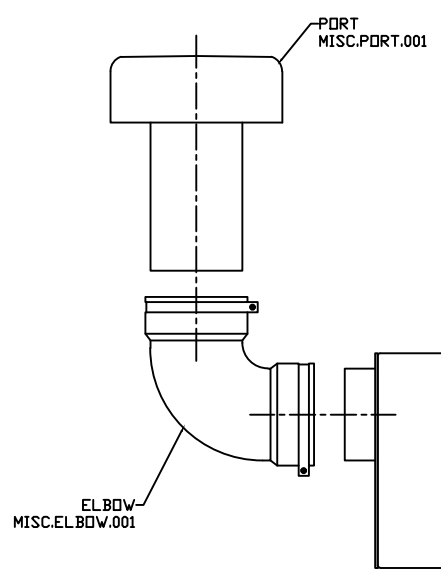
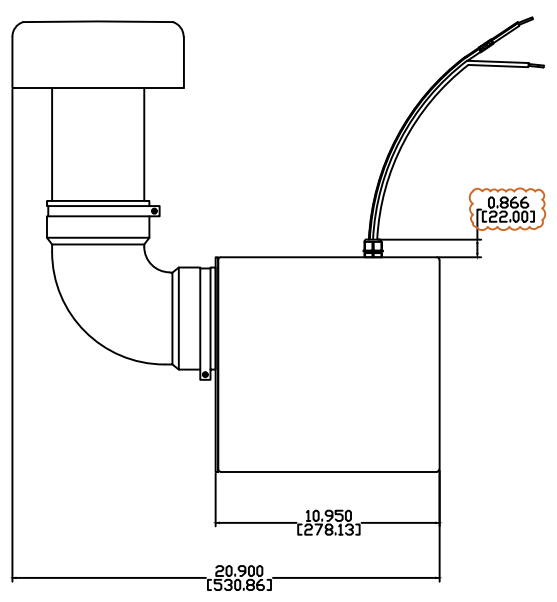
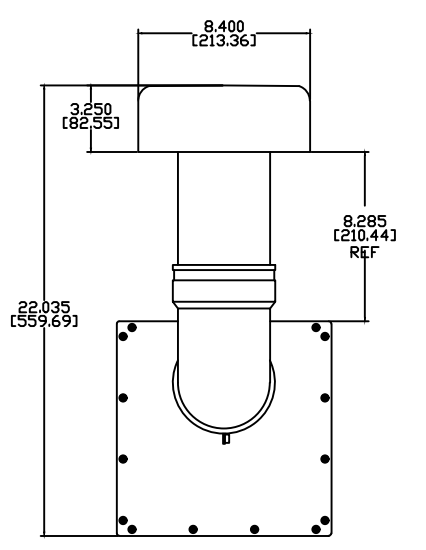
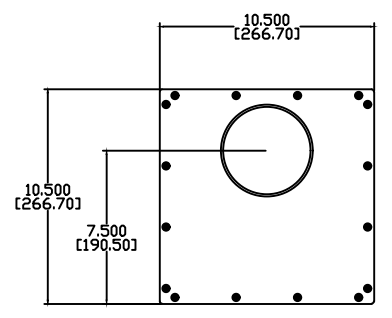
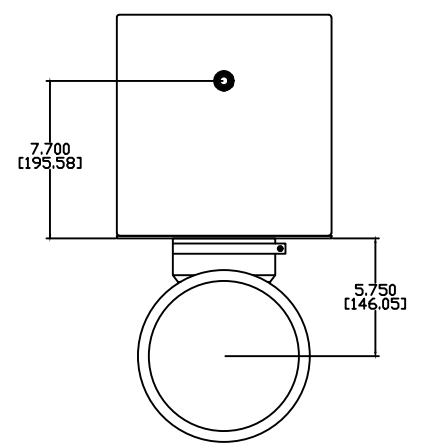
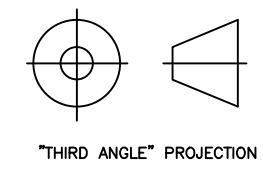


REVISIONS				
ECN	REV.	DESCRIPTION	DATE	APPROVED
	A	RELEASE FOR PRODUCTION	08-22-12	
20020	B	DRAWING UPDATED, WOOFER CUTOUT UPDATED	04-01-20	
20048	C	PORT ADAPTER CHANGED TO SCHEDULE 10 PIPE	10-06-20	
21044	D	UPDATED TO PG11 GLAND	08-06-21	



NOTES:

- 1: MATERIAL - 5052 ALUMINUM
UNLESS OTHERWISE SPECIFIED
- 2: FINISH - STUDIO BLACK POWDER COAT
UNLESS OTHERWISE SPECIFIED
- 3: MARINE GRADE
- 4: IMPEDANCE - 4 OHMS



PROPRIETARY INFORMATION
 THE DESIGNS, INFORMATION, AND DATA CONTAINED HEREIN ARE PROPRIETARY AND ARE SUBMITTED IN CONFIDENCE, AND SHALL NOT BE DISCLOSED, USED OR DUPLICATED IN WHOLE OR IN PART, FOR ANY PURPOSES WHATSOEVER, WITHOUT THE PRIOR WRITTEN PERMISSION OF JAMES LOUDSPEAKER LLC, 2185 PARK PL, MINDEN, NV 89423. THIS LEGEND SHALL BE MARKED ON ANY REPRODUCTIONS HEREOF IN WHOLE OR IN PART. RECEIPT OF THIS DOCUMENT SHALL BE DEEMED TO BE AN ACCEPTANCE OF THE CONDITIONS SPECIFIED HEREIN.

JAMES LOUDSPEAKER	
ST8	
EXTERNAL DIMENSIONS	
P/N:	-
DWR #:	120822-B00
REVISED BY:	B. IJIMA
DRAWN BY:	M. PARK
DATE:	08-22-12
APPROVED:	
DRAFTING APPROVED:	
SCALE:	
TOLERANCES: ANG: ± = .5°	FRACT. ± = 1/32
DECIMALS: .XX ± = .01	.XXX ± = .005
REVISION: D	SHEET 1 OF 4