
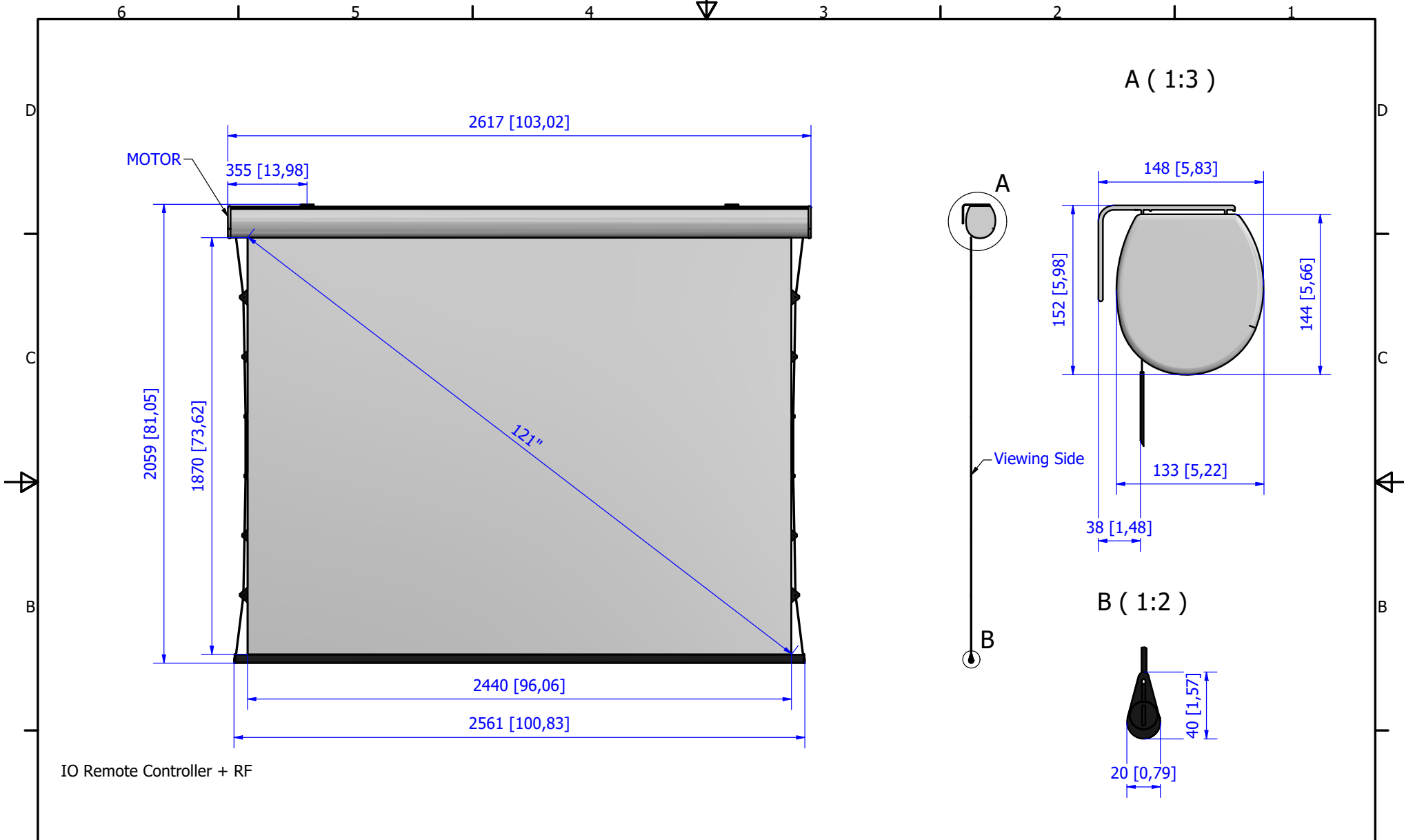


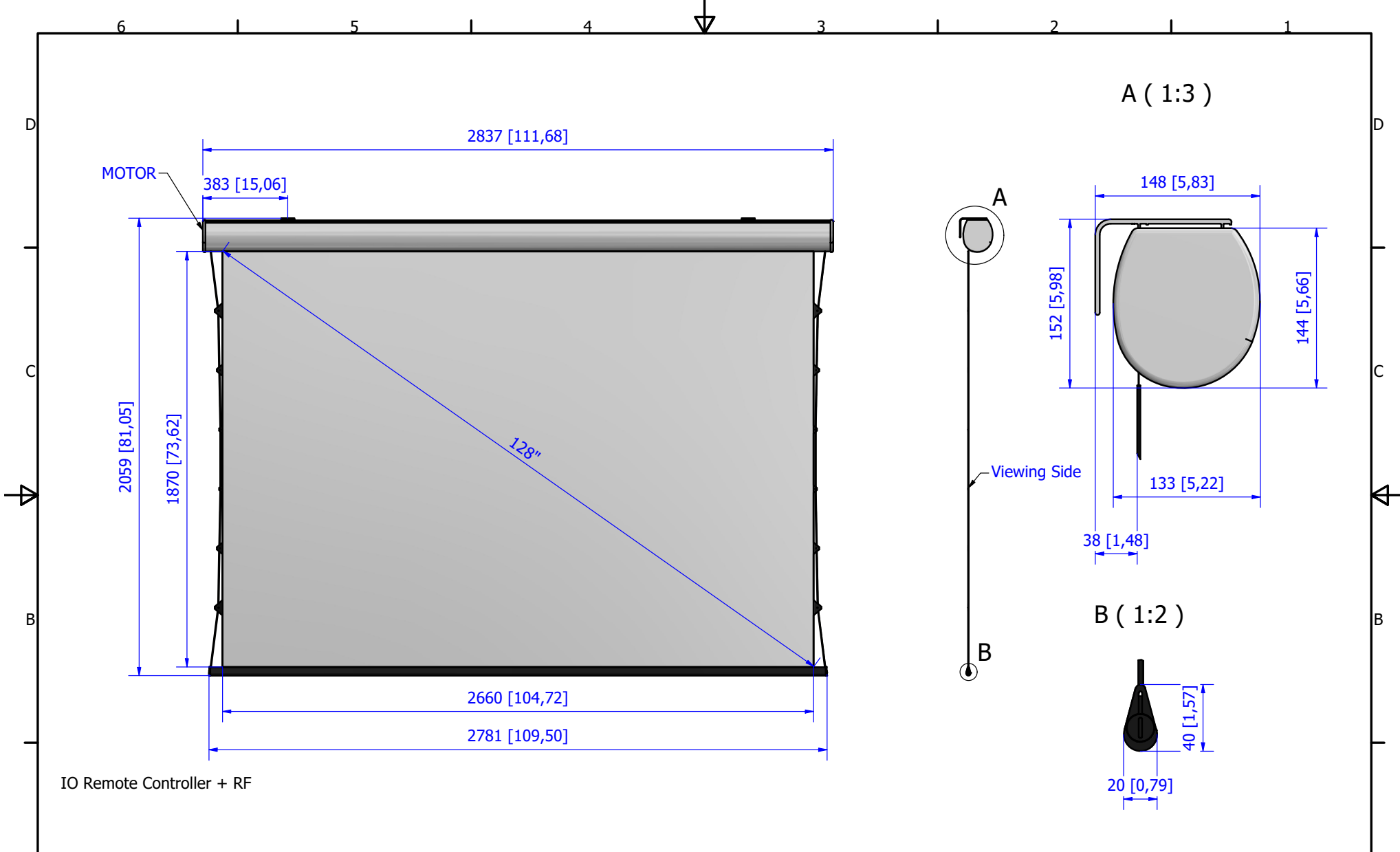
IO Remote Controller + RF


<p>Dimensions are in mm [inch]</p> <p>According on the required fabric, a welding line may be present</p> <p>Please notice that all dimensions are subject to conventional industry tollerances</p>		<p>Description: Jago Tens</p>		<p>Codice univoco: JT223#7824</p>	<p>Product Code: JT223XRA</p>	
		<p>Weight: 18kg</p>	<p>Shipping weight: 22kg</p>	<p>Encumbrance: 241x16x15</p>	<p>Drawer: Massimiliano Gabardi</p>	<p>VCode: UT-0005784.iam</p>
				<p>Shipping dimensions: 261x18x18</p>	<p>Date: 30/05/2021</p>	<p>Sheet: A3</p>

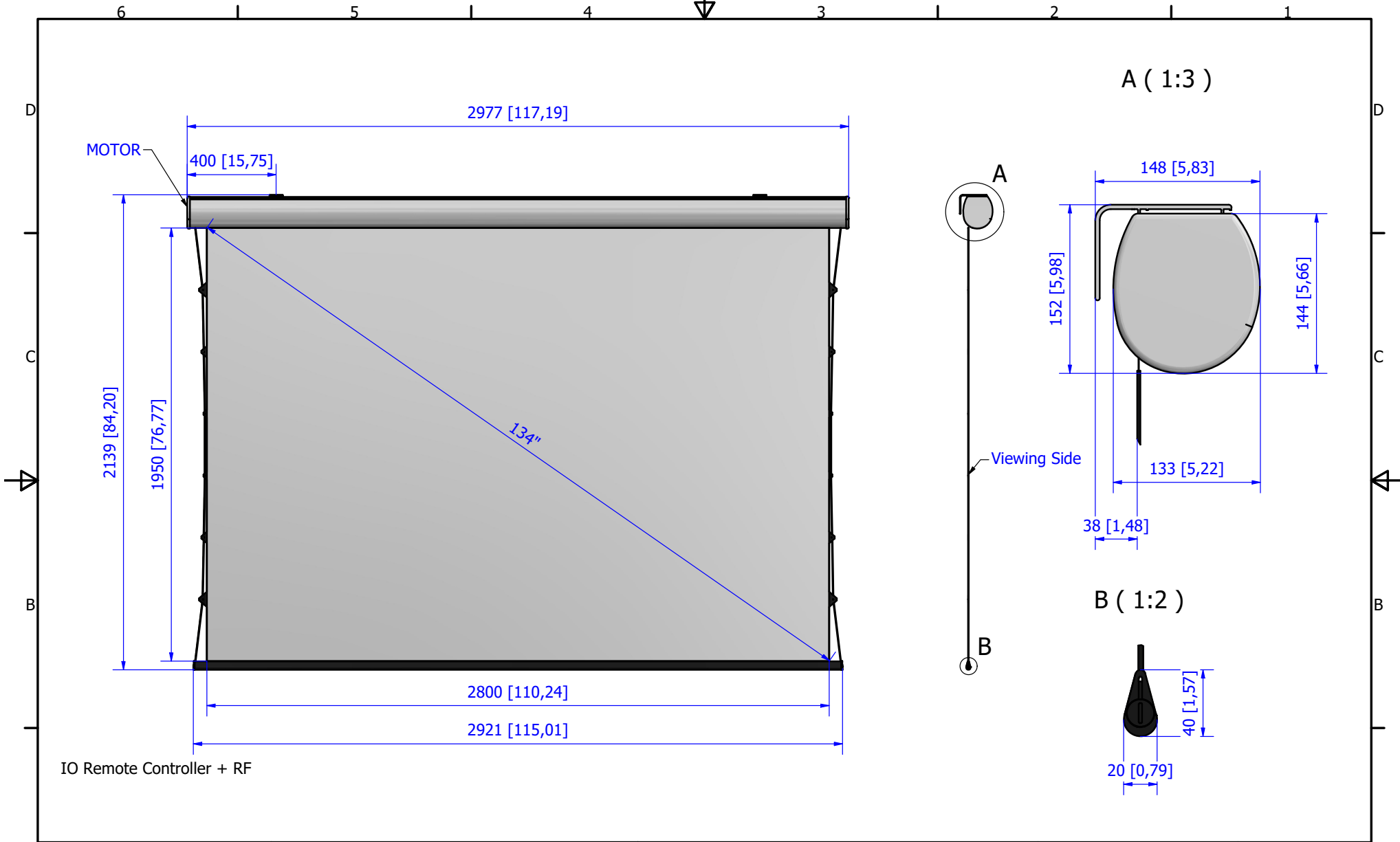


IO Remote Controller + RF

<p>Dimensions are in mm [inch]</p> <p>According on the required fabric, a welding line may be present</p> <p>Please notice that all dimensions are subject to conventional industry tollerances</p>		<p>Description: Jago Tens</p>		<p>Codice univoco: JT244#8561</p>	<p>Product Code: JT244XRA</p>	
		<p>Weight: 20kg</p>	<p>Shipping weight: 24kg</p>	<p>Encumbrance: 262x16x15</p>	<p>Drawer: Massimiliano Gabardi</p>	<p>VCode: UT-0005784.iam</p>
				<p>Shipping dimensions: 282x18x18</p>	<p>Date: 30/05/2021</p>	<p>Sheet: A3</p>



Dimensions are in mm [inch] According on the required fabric, a welding line may be present Please notice that all dimensions are subject to conventional industry tollerances		Description: Jago Tens		Codice univoco: JT280#9990	Product Code: JT266XRA	
		Weight: 22kg	Shipping weight: 27kg	Encumbrance: 284x16x15	Drawer: Massimiliano Gabardi	VCode: UT-0005784.iam
		Shipping dimensions: 304x18x18		Date: 30/05/2021	Sheet: A3	Scale: 1 : 15



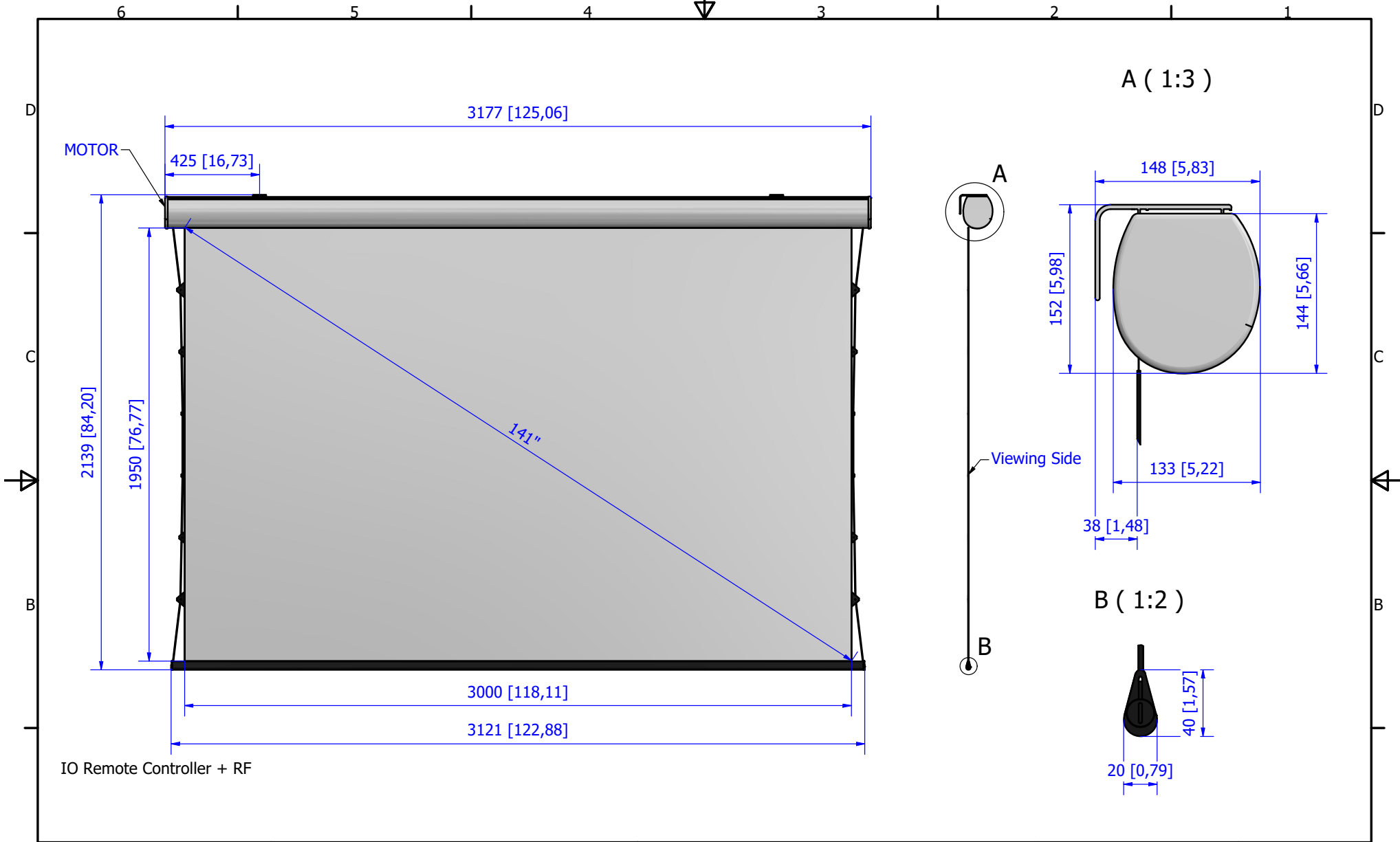
IO Remote Controller + RF

Dimensions are in mm [inch]
 According on the required fabric, a welding line may be present
 Please notice that all dimensions are subject to conventional industry tollerances



Description: Jago Tens	
Weight: 23kg	Shipping weight: 28kg
Encumbrance: 298x16x15	
Shipping dimensions: 318x18x18	

Codice univoco: JT280#9990	Product Code: JT280XRA
Drawer: Massimiliano Gabardi	VCode: UT-0005784.iam
Date: 30/05/2021	Sheet: A3
	Scale: 1 : 15



Dimensions are in mm [inch] According on the required fabric, a welding line may be present Please notice that all dimensions are subject to conventional industry tollerances		Description:		Codice univoco:	Product Code:
		Jago Tens		JT300#7788	JT300XRA
		Weight:	Shipping weight:	Encumbrance: 318x16x15	Drawer:
24kg	29kg	Shipping dimensions: 338x18x18	Massimiliano Gabardi	UT-0005784.iam	
			Date:	Sheet:	Scale:
			30/05/2021	A3	1 : 15