

VISUAL PERFORMANCE® SERIES

VP42R, VP46R, VP48R, + Square Adaptor



Product Family Overview

From the company that invented the category, comes the **BEST SOUNDING**, best looking and most complete range of in-wall and in-ceiling speakers ever. Visual Performance® Series

comes in various shapes and sizes to compliment down lights and décor and a complete range that allows you to enjoy a consistent aesthetic for any application in any room.



VP42R



VP46R



VP48R



Square Adaptor w/ Grille

Features and Benefits

Absolute best sonic performance at all price points

- Designed using state-of-the-art computer modeling software to vastly improve magnetic field and suspension linearity for consistent sonic performance at any SPL for best-in-class performance

Latest high-tech driver and tweeter material technology

- Improved low frequency performance
- Improved driver cone materials
- Low diffraction woofer and tweeter design
- Pivoting tweeter for improved frequency response in off-axis installations
- Chambered tweeter design on all models

The chambered tweeter design does the following

- Lowers the resonance frequency of the tweeter
- Allows for a lower crossover frequency to the woofer
- Reduces the back pressure on the tweeter dome
- Reduces the distortion of the tweeter near the crossover frequency

Easier to install

- Easier to access Roto-Lock® screws
- Removed metal hang tabs
- One-piece paintable grille with peel and stick scrim cloth for easier painting
- Two piece toggle feet allows installation with double dry wall and thicker ceiling and wall materials

Square adaptor w/ grille can turn any round speaker into a square speaker

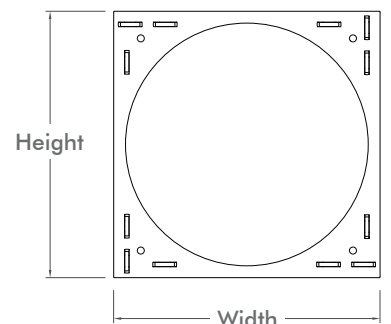
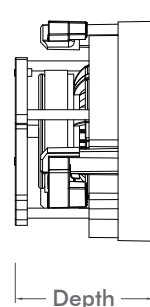
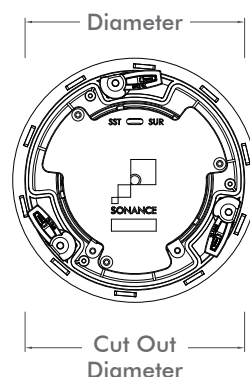
- Allows easy alignment of the square grille with other ceiling features
- Available in 1 pair or 5 pair bulk packages

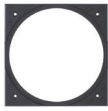
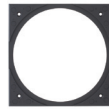
Specifications

Diameter: 6 7/8" (175mm)
Cut Out Diameter: 5 7/8" (149mm)
Depth: 3 1/2" (89mm)

With Square Adaptor and Grille

Width: 7" (178mm)
Height: 7" (178mm)



**VP42R +VP4SQ****VP46R +VP4SQ****VP48R +VP4SQ****SPECIFICATIONS**

SKU	93009	93010	93011
UOM	Pair	Pair	Pair
Tweeter	1" (25mm) cloth dome, Ferrofluid-cooled, pivoting, in acoustic back chamber	1" (25mm) powder coated aluminum dome, Ferrofluid-cooled, pivoting, in acoustic back chamber	1" (25mm) ceramic dome, Ferrofluid-cooled, pivoting, in acoustic back chamber
Woofer	4 1/2" (114mm) textured polypropylene cone with a rubber surround	4 1/2" (114mm) Kevlar / Nomex laminated cone with a rubber surround	4 1/2" (114mm) carbon fiber / Rohacell® laminated cone with a rubber surround
Frequency Response	70Hz - 20kHz ±3dB	58Hz - 20kHz ±3dB	50Hz - 20kHz ±3dB
Impedance	8 ohms nominal; 6 ohms minimum	8 ohms nominal; 6 ohms minimum	6 ohms nominal; 4 ohms minimum
Power Handling	5 watts minimum; 50 watts maximum	5 watts minimum; 70 watts maximum	5 watts minimum; 100 watts maximum
Sensitivity	89dB SPL (2.83V/1 meter)	90dB SPL (2.83V/1 meter)	90dB SPL (2.83V/1 meter)
Adjustments	-	-	Tweeter Level Switch -3dB Flat +3dB
Grille	Perforated steel	Perforated steel	Perforated steel
Dimensions (Dia. x D)	6 7/8" x 3 1/2" (175mm x 89mm)	6 7/8" x 3 1/2" (175mm x 89mm)	6 7/8" x 3 1/2" (175mm x 89mm)
Dimensions with Square Grille (W x H)	7" x 7" (178mm)	7" x 7" (178mm)	7" x 7" (178mm)
Cut-Out Dimensions (Dia.)	5 7/8" (149mm)	5 7/8" (149mm)	5 7/8" (149mm)
Shipping Weight	6 lbs (2.8kg) pair	6 lbs (2.8kg) pair	6 lbs (2.8kg) pair

Associated ProductsVP4SQ Square Adapter w/ grille
(Pair Per Box)

93029

Small Round Flex Bracket
(5 Pair Per Box)

92471

VP4SQ Square Adapter w/ grille
(5 Pair Per Box)

93032

Fire-Rated Listed Deep Backcan
(Each)

92808

Small Round Retrofit Enclosure
(Pair Per Box)

92443

**LIMITED LIFETIME WARRANTY**

Sonance warrants to the first end-user purchaser that this Sonance-brand product ("Product"), when purchased from an authorized Sonance Dealer/Distributor, will be free from defective workmanship and materials for the life of the Product, except for the grille, which is warranted for five (5) years. Sonance will at its option and expense either repair the defect or replace the Product with a new or remanufactured Product or a reasonable equivalent. **Please visit our website and owner's e-Manual for complete warranty and exclusion information.**



©2013 Sonance. All rights reserved.

Sonance, Visual Performance and Roto-Lock, are registered trademarks of Dana Innovations.

Due to continuous product improvement, all features and specifications are subject to change without notice. For the latest Sonance product specification information visit our website: www.sonance.com

SONANCE • 212 Avenida Fabricante • San Clemente, CA 92672-7531 USA

(800) 582-7777 or (949) 492-7777 • FAX: (949) 361-5151 • Technical Support: (800) 582-0772

www.sonance.com