



Pre-Amplifier

Préamplificateur

Предусилитель

C-5000

Owner's Manual

Mode d'emploi

Bedienungsanleitung

Bruksanvisning

Manuale di istruzioni

Manual de instrucciones

Gebruikershandleiding

Инструкция По Эксплуатации

English

Français

Deutsch

Svenska

Italiano

Español

Nederlands

Русский

Thank you and congratulations on your purchase of this Yamaha product.

- ◆ You can enjoy the high-quality stereo sound of this preamplifier at home.
- ◆ This Owner's Manual describes the unit's features, connection procedures, and operations.
- ◆ To use the product properly and safely, we suggest that you read this manual and Safety Brochure (separate booklet) thoroughly.
Keep the manual in a safe, accessible place for future reference.

You can download a PDF version of this manual from the following Yamaha website.

<https://download.yamaha.com/>

Features

- ◆ Left-right symmetrical design creates a bookmatched structure
- ◆ Class A operation of full-stage, full-floating balanced signal transmission from input to output
- ◆ Full-floating and balanced phono EQ amplifier with balanced inputs
- ◆ High-accuracy controls that employ a proprietary bearing structure and high-rigidity lever switches
- ◆ Twin transformer designed specifically for audio, which is completely separate from the control power supply
- ◆ Stable mechanical grounding construction dramatically lessens the impact of external vibration.
- ◆ Tone control circuit that features a proprietary parallel volume system
- ◆ Newly-designed brass spiked feet
- ◆ Gain control function that enables ultra fine volume adjustment

About this manual



- ◆ The illustrations as shown in this manual are for instructional purposes only.
- ◆ The company names and product names in this manual are the trademarks or registered trademarks of their respective companies.
- ◆  **WARNING** describes precautions to be followed to avoid the possibility of serious injury or even death.
- ◆  **CAUTION** describes precautions to be followed to avoid the possibility of injury.
- ◆ **NOTICE** describes precautions to be followed to avoid the possibility of malfunction/damage to the product, or damage to data.
- ◆ **Note** describes supplemental information about the product.
- ◆ Before starting to use the product, please be sure to read the separate "Safety Brochure".

Table of contents

Features	2
About this manual	2
Supplied accessories	4
Maintenance	4
Mirror-finish side panels	4
Surfaces other than the mirror-finish side panels	4

Part Names and Functions

Front panel	6
Rear panel.	10
Balanced and unbalanced connections	14
Remote control	16
Installing batteries in the remote control	18
Operating the remote control	18

Connections

Connecting an external component	20
Connecting a turntable	22
Connecting a recording component	22
Connecting another preamplifier	23
Connecting a power amplifier and an active subwoofer	23
Trigger connections	24
Controlling the power on-and-off operation of a connected component, such as a power amplifier, in sync with this unit	24
Controlling the unit's power on-and- off operation in sync with a connected component, such as an AV receiver	24
Remote connections	25
Operating the unit from another room	25
Remote connection between Yamaha components	25
Connecting the power cord.	26

Operations

Turning the power on	28
Selecting the input and output	28
Selecting the input from the EXT.IN jacks	29
Adjusting the turntable input setting	29
PHONO selector	29
Subsonic filter	30
Adjusting the volume level	30
Lowering the volume level momentarily	31
Adjusting the tone	31
Connecting headphones	32

Reference Materials

General specifications	34
Block diagram	36
Audio characteristics	37
Frequency response (tone control)	37
Total harmonic distortion (PHONO).	37
Frequency response (subsonic filter)	38
Volume curve.	38
Troubleshooting.	39
Index	41

Supplied accessories

Please make sure that the following accessories are included in the package.

- Remote control
- Batteries (AAA, R03, UM-4) (x2)
- Power cord
- Owner's Manual (this book)
- Safety Brochure (separate booklet)



WARNING

Do not use the supplied power cord for other devices.

Maintenance

To use this product for an extended period of time, we recommend that you maintain it regularly.



WARNING

- Check the power cord regularly to see if it is dusty. If so, wipe off the dust completely. Otherwise, fire or electric shock might be caused.
- Do not use aerosol or flammable gas spray for cleaning or lubrication. Otherwise, flammable gas will build up inside the unit, causing possible explosion or fire.

NOTICE

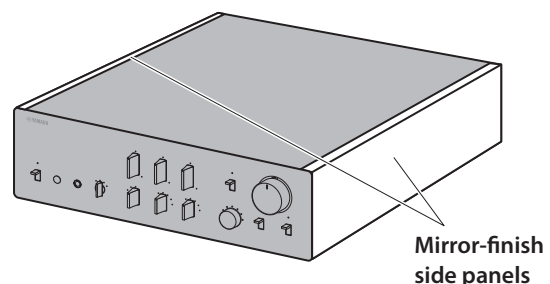
- Use a dry soft cloth to clean the unit. Using cleaning agents, such as benzene or thinner, detergent, or chemically-treated cloth might cause color changes or deterioration of the surface. If the surface gets very dirty, damp a cloth with detergent (diluted with water), wring the cloth tightly, and wipe off the dirt.
- If you wipe the surface area in the vicinity of the Yamaha logo with force, the logo might peel off or fiber from the cloth might stick to the surface.

Mirror-finish side panels

We recommend that you use a cleaning cloth such as those made for pianos. If the surface is very dirty, use a soft cloth that is damp with water and wrung tightly.

Surfaces other than the mirror-finish side panels

Wipe other surfaces using a soft dry cloth. If the surface gets very dirty, dampen a cloth with detergent diluted in water, wring the cloth tightly, and then wipe the dirt from the surface.

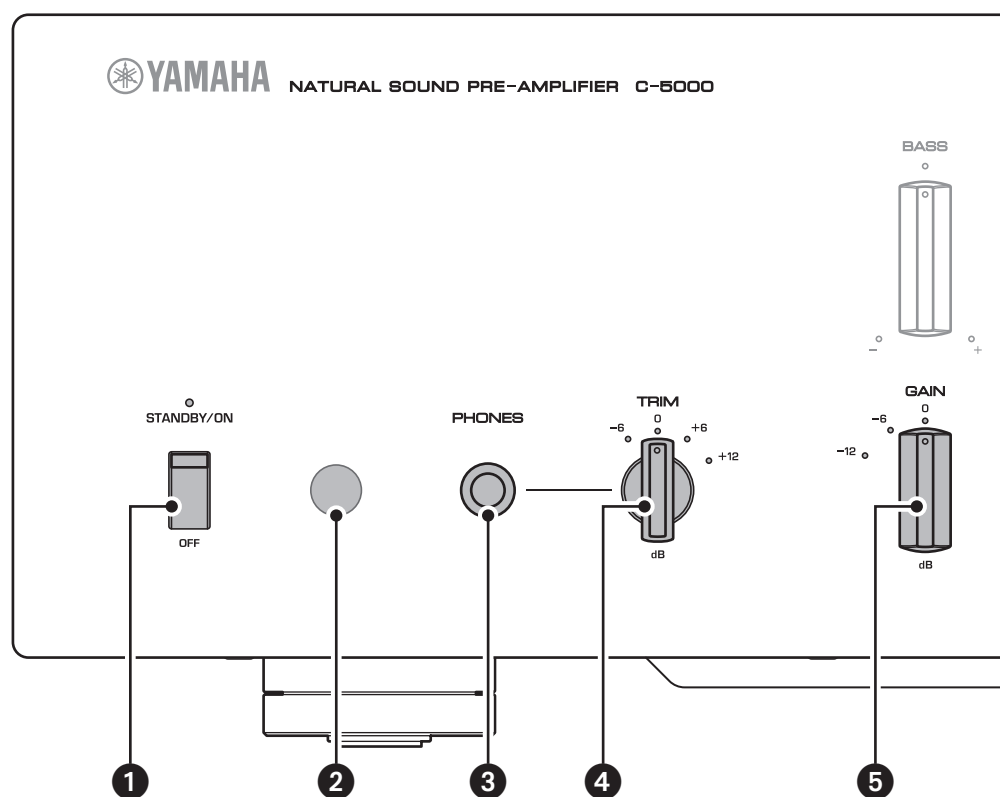


Part Names and Functions

This section lists the names and describes the function of various parts on the front and rear panels, and the remote control.


C-5000

Front panel



1 STANDBY/ON/OFF (Power) switch/ indicator

Turns the power to the unit on (standby) or off.

STANDBY/ON: Switches between standby and on using the  AMP key on the remote control.

OFF: Turns the power to the unit off.

Power status	Indicator
On mode	Lit brightly
Standby mode	Lit dimly
Off mode	Off

The unit will enter standby mode not only when you press the AMP key on the remote control, but also in one of the following events:

- If the unit is powered on but not operated for eight hours while the auto power standby function is turned on, or
- If you turn off the power to the device that is connected to this unit's TRIGGER IN jack.

For more information, refer to “**17** AUTO POWER STANDBY switch” in the “Rear panel” section (page 13) and to “Trigger connections” (page 24).

Note

After you turn on the unit, it will take a few seconds before the unit can reproduce sound.

NOTICE

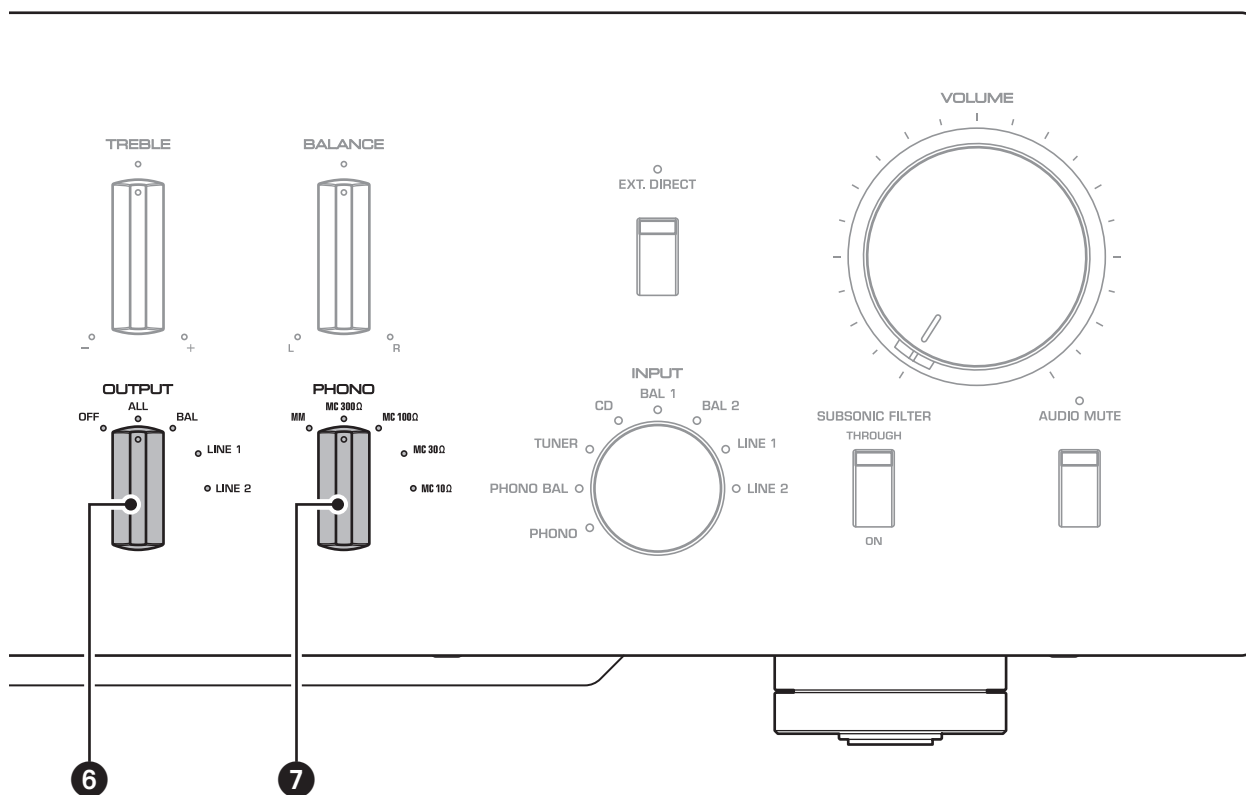
If you plan not to use the unit for an extended period of time, be sure to unplug the power cord from the AC outlet. Even when the STANDBY/ON/OFF (Power) switch is turned off (the power indicator is dark), a minimal amount of electric current is still flowing to the unit.

2 Remote control sensor

Receives signals from the remote control. For more information, refer to “Operating the remote control” (page 18).

3 PHONES jack

Connect your headphones here to listen to music privately. For more information, refer to “Connecting headphones” (page 32).



4 TRIM selector

Switches the headphone amp gain. The unit will adjust the volume level when headphones are plugged in to avoid sudden changes in volume by modifying the level balance between the audio output from the PHONES jack and from the speakers.

Choices: -6 dB, 0 dB, +6 dB, +12 dB

5 GAIN selector

Switches the preamp gain. The unit will smoothly adapt to the power amp gain and speaker sensitivity, enabling you to make fine volume adjustments. For more information, refer to “Adjusting the volume level” (page 30).

Choices: -12 dB, -6 dB, 0 dB

6 OUTPUT selector

Specifies which OUTPUT jacks will output signals, as follows:

Use this selector if multiple power amplifiers are connected.

	OUTPUT selector				
	OFF	ALL	BAL	LINE1	LINE2
BAL jacks	—	Output	Output	—	—
LINE 1 jacks	—	Output	—	Output	—
LINE 2 jacks	—	Output	—	—	Output

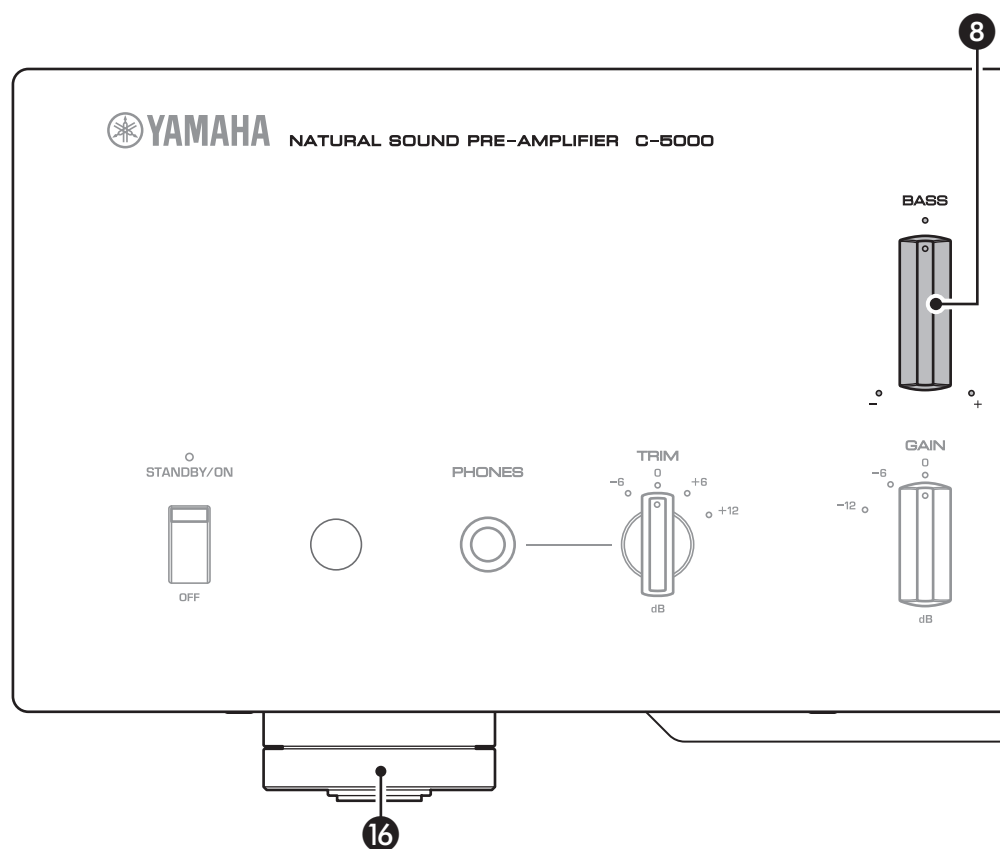
7 PHONO selector

Indicates the type of cartridge installed on the turntable that is connected to the PHONO jacks on the rear panel (MM, MC 300Ω, MC 100Ω, MC 30Ω, MC 10Ω). For more information, refer to “Adjusting the turntable input setting” (page 29).

NOTICE

Before you replace the cartridge, be sure to turn off the power to this unit.

Front panel



8 BASS control

Adjusts the low-frequency response in the range from -10 dB to $+10$ dB (in 0.5 dB steps). The center position produces a flat response.

9 TREBLE control

Adjusts the high-frequency response in the range from -10 dB to $+10$ dB (in 0.5 dB steps). The center position produces a flat response.

10 BALANCE control

Adjusts the audio output balance between the left and right speakers in the range from L (the right channel is muted) to R (the left channel is muted) to compensate for sound imbalances caused by speaker locations or listening room conditions.

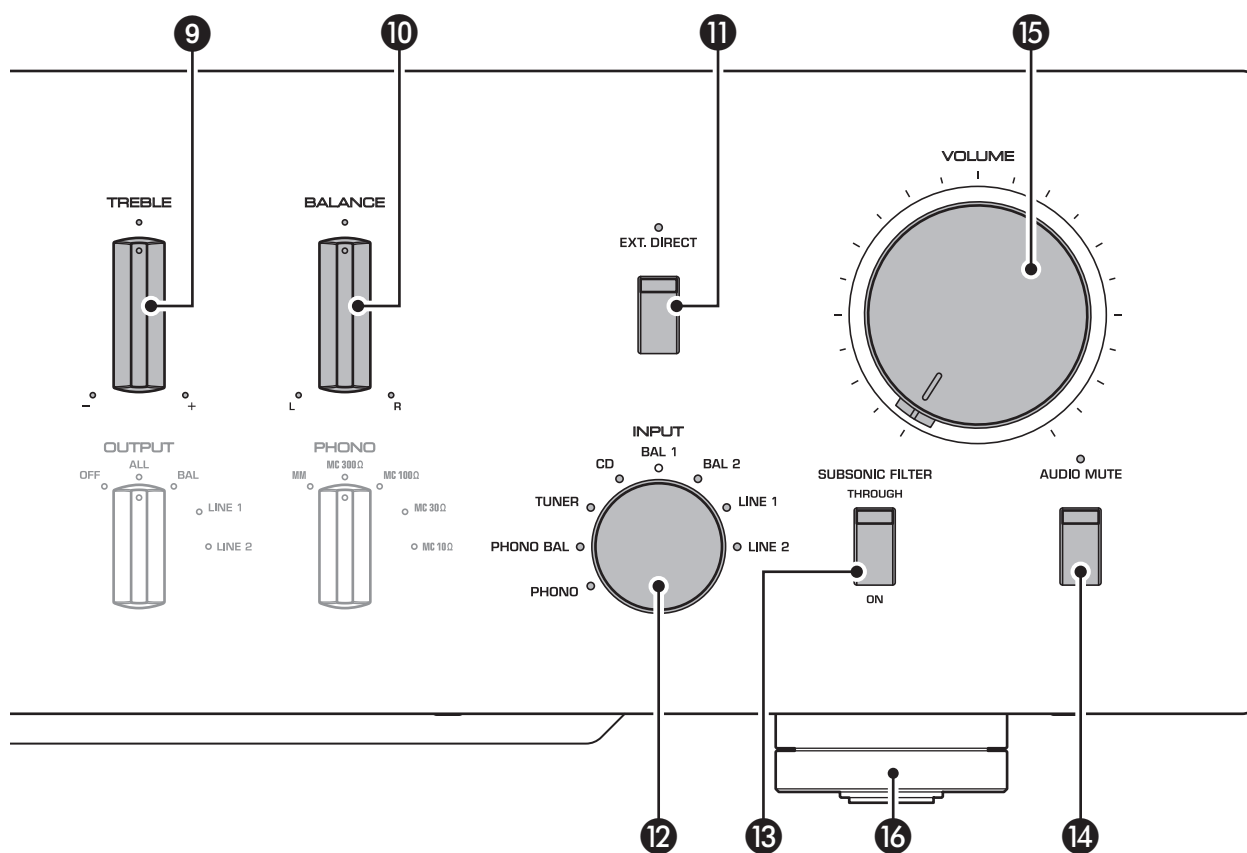
11 EXT. DIRECT switch/indicator

If you press the EXT. DIRECT switch once, the EXT. DIRECT indicator will light up, and the audio source input at the EXT. IN jacks will be output at the connected output jacks. For more information, refer to “Connecting another preamplifier” (page 23) and “Selecting the input and output” (page 28).

If you press the EXT. DIRECT switch again or rotate the INPUT selector, the signal specified by the INPUT selector will become the input source, and the EXT. DIRECT indicator will turn off.

Note

If EXT. DIRECT is selected, no signal will be output at the LINE 2 OUT (recording) jacks nor at the PHONES jack.



12 INPUT selector/indicator

Enables you to select the input source to play back. Options are: **PHONO, PHONO BAL, TUNER, CD, BAL 1, BAL 2, LINE 1, and LINE 2**. The indicator for the selected input source lights up.

Note

If LINE 2 is selected here, audio signals will not be output at the LINE 2 OUT (recording) jacks.

13 SUBSONIC FILTER switch

Toggles between **ON** (enabled) and **THROUGH** (disabled) for the subsonic filter. For more information, refer to “Adjusting the turntable input setting” (page 29).

Note

If the INPUT selector is set to any option other than PHONO or PHONO BAL, the filter will be disabled.

14 AUDIO MUTE switch/indicator

Press this switch to reduce the current volume level by approximately 20 dB. The indicator will light up. Press again to restore the audio output to the previous volume level. The indicator will turn off.

15 VOLUME control

Adjusts the volume level. This setting will not affect the output level at the LINE 2 OUT (recording) jacks.

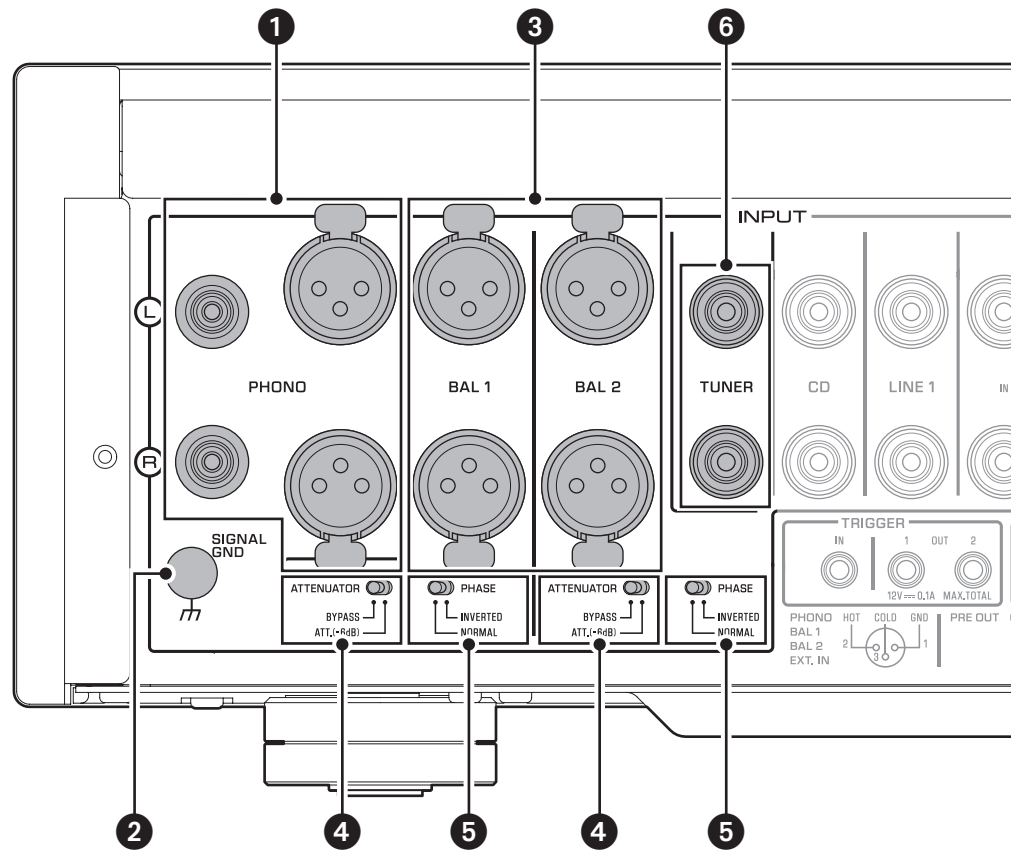
Note

The VOLUME control will not affect the volume level if EXT. DIRECT is selected as the input source. To adjust the volume level, use the volume control on the external preamplifier or another component connected to the EXT. IN jacks.

16 Feet

If the unit is unstable, adjust the height of the feet as needed by rotating them.

Rear panel



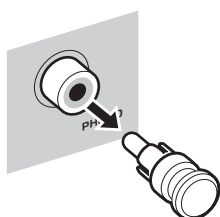
Note

For information regarding the connection procedure, refer to “Connections” (page 19).

1 PHONO jacks

RCA and XLR-type jacks. If the INPUT selector is set to PHONO, the signals at the RCA-type PHONO jacks will be the input source. If the INPUT selector is set to PHONO BAL, the signals at the XLR-type PHONO jacks will be the input source.

Your preamplifier comes with a shorting plug installed on each RCA-type PHONO input jack. If you are planning to connect an external component to these jacks, remove the shorting plugs. For more information, refer to “Connecting a turntable” (page 22).



CAUTION

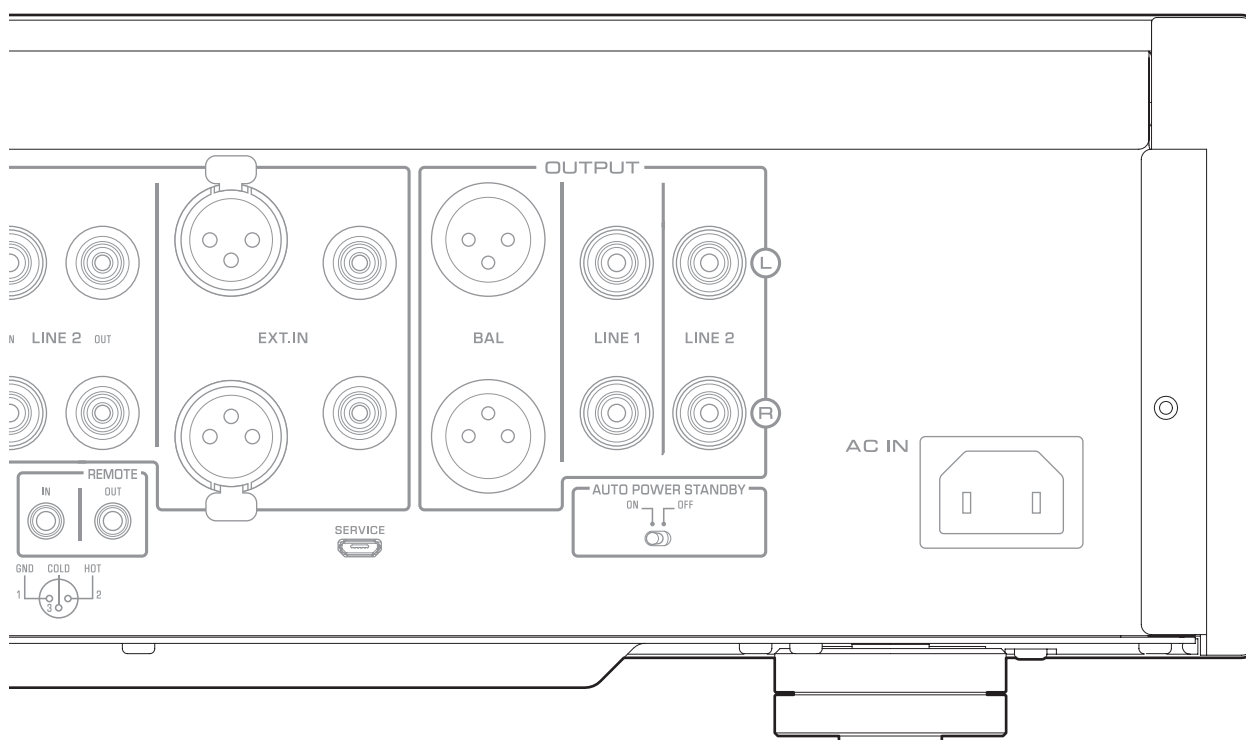
Handle the shorting plugs carefully. Do not allow children to play with the shorting plug; otherwise they might swallow it.

NOTICE

- Shorting plugs are intended for unused INPUTS ONLY; using them on OUTPUTS can cause serious damage to your components.
- If you are planning not to use the RCA-type PHONO input jacks, insert the shorting plugs into the jacks to prevent random static or noise from degrading the audio signal.

2 SIGNAL GND (ground) terminal

If you connect your turntable to the RCA-type PHONO input jacks, also connect the turntable to this terminal. Doing so may reduce noise.



3 BAL 1/BAL 2 jacks

These are two sets of XLR-type balanced input jacks. If the INPUT selector is set to BAL 1 or BAL 2, signals at the corresponding XLR jacks will be the input source.

Note

Set the ATTENUATOR selector and PHASE selector appropriately for the playback components that are connected to the unit.

4 ATTENUATOR selector

Enables you to set the allowable input level for the XLR-type balanced input jacks (BAL 1 and BAL 2 jacks). For more information, refer to “Adjusting the volume level” (page 30).

BYPASS: The allowable input level will not change. Usually select this option.

ATT. (-6 dB): The input gain will be lowered by 6 dB to raise the allowable input level. Select this option if the audio output from the connected component sounds distorted.

5 PHASE selector

Specifies the HOT pin position for the XLR-type balanced input jacks (BAL 1 and BAL 2 jacks).

NORMAL: Pin #2 is specified as HOT.

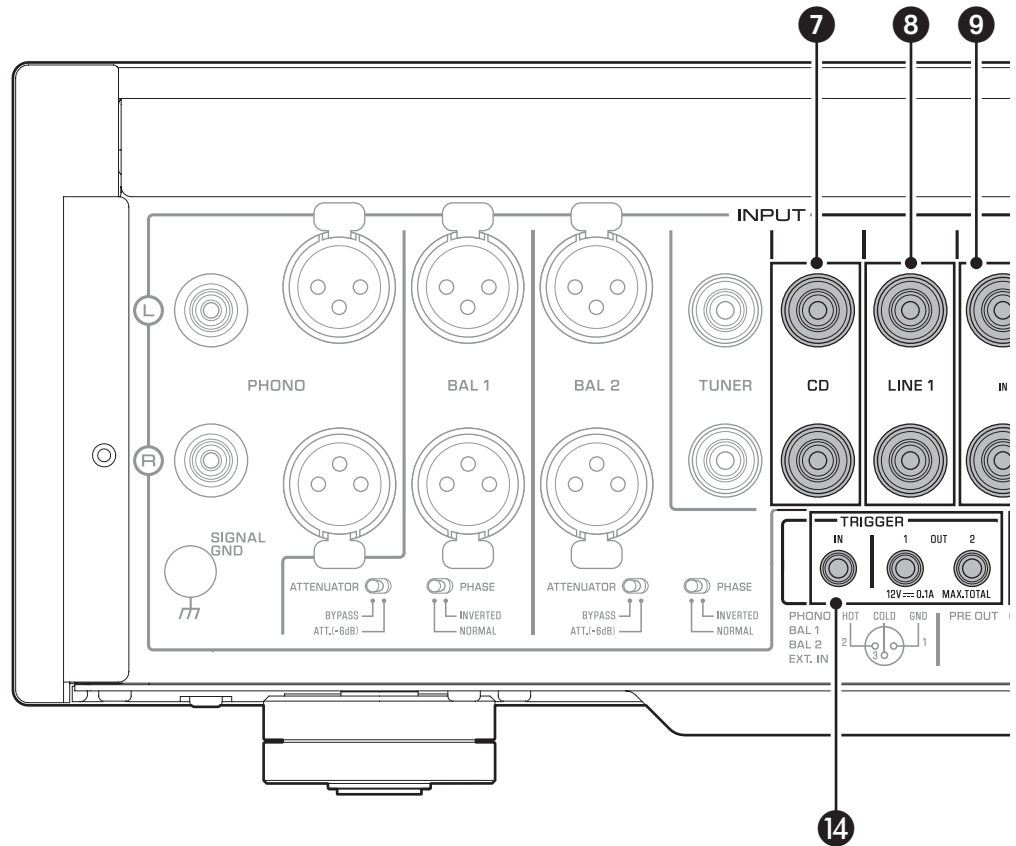
INV.: Pin #3 is specified as HOT.

For more information, refer to “Balanced and unbalanced connections” (page 14).

6 TUNER jacks

These are RCA input jacks. If the INPUT selector is set to TUNER, signals at these jacks will be the input source. Connect your tuner here.

Rear panel



7 CD jacks

These are RCA input jacks. If the INPUT selector is set to CD, signals at these jacks will be the input source. Connect your CD player here.

8 LINE 1 jacks

These are RCA input jacks. If the INPUT selector is set to LINE 1, signals at these jacks will be the input source.

9 LINE 2 IN jacks

These are RCA input jacks. If the INPUT selector is set to LINE 2, these jacks will be the input source.

10 LINE 2 OUT (recording) jacks

These are RCA input jacks for recording. These jacks normally output the input source signals selected via the front panel or remote control. For information on the connection procedure, refer to “Connecting a recording component” (page 22).

Note

- Connect the LINE 2 IN jacks and LINE 2 OUT (recording) jacks to the same component.
- The LINE 2 OUT (recording) jacks will not output any signals if the INPUT selector is set to LINE 2 or the EXT. DIRECT switch is pressed.

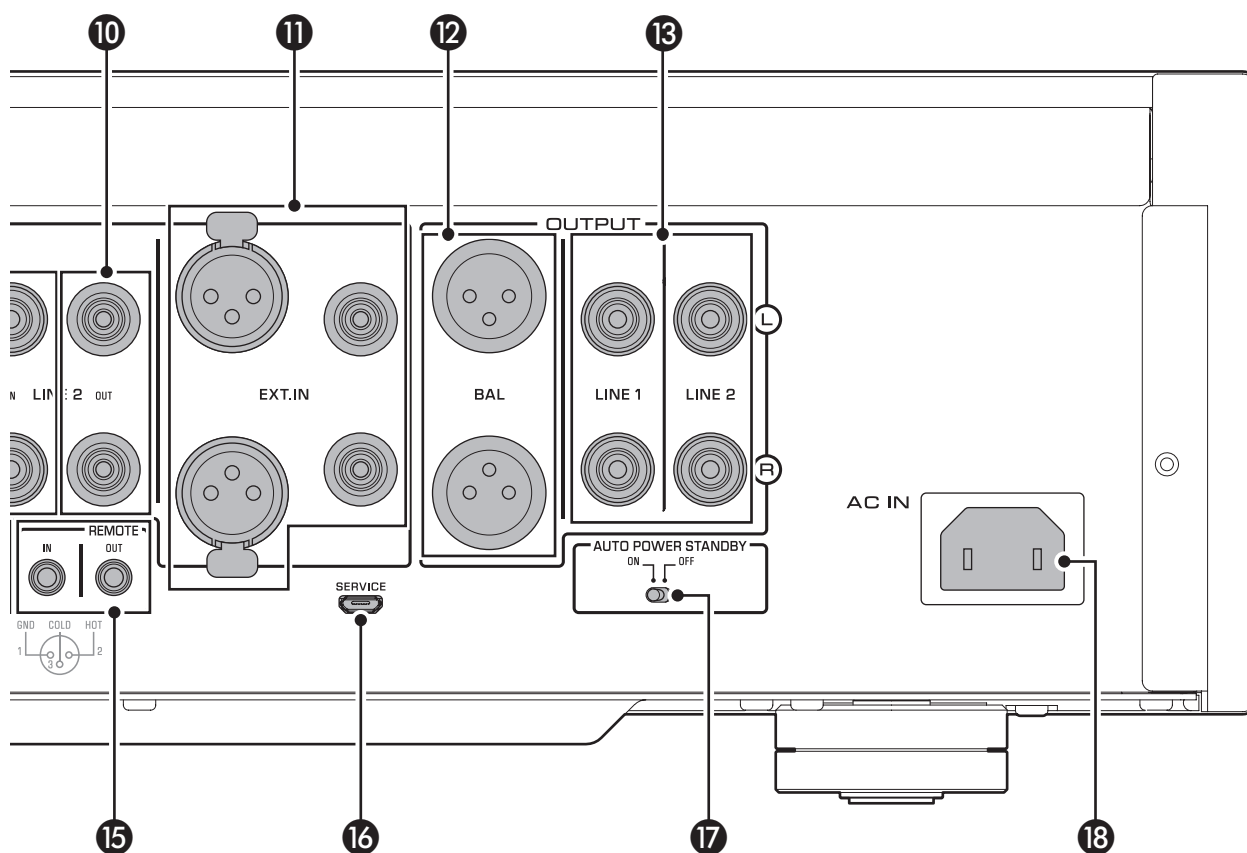
11 EXT.IN jacks

These jacks feature XLR-type input jacks and RCA input jacks. If the EXT. DIRECT switch is pressed, signals at these jacks will be the input source. Connect your preamplifier here. For more information, refer to “Connecting another preamplifier” (page 23).



CAUTION

You cannot adjust the volume level of the signals input at the EXT. IN jacks. Therefore, be sure to connect to the EXT. IN jacks a component that features a volume control.



Note

The volume level is fixed. Operating the VOLUME control or GAIN selector on this unit will not change the volume level of the signal from the EXT. IN jacks. Adjust the volume level using the volume control on the component connected to the EXT. IN jacks.

12 BAL jacks

These are XLR-type output jacks. Connect these jacks to the balanced input jacks on the power amplifier.

13 LINE 1/LINE 2 jacks

These are RCA output jacks. Connect these jacks to the RCA input jacks on the power amplifier.

14 TRIGGER IN/TRIGGER OUT jacks

These are monaural mini jacks. Connect external components that support the trigger function here. For more information, refer to “Trigger connections” (page 24).

15 REMOTE IN/REMOTE OUT jacks

These are monaural mini jacks. Connect external components that support the remote function here. For more information, refer to “Remote connections” (page 25).

16 SERVICE jack

This jack is used to service the product. It is rarely used.

17 AUTO POWER STANDBY switch

Specifies whether the unit automatically enters standby mode.

ON: The unit enters standby mode automatically if it is powered on but not operated for eight hours.

OFF: The unit does not enter standby mode automatically.

18 AC IN jack

Connect the supplied power cord here. For more information, refer to “Connecting the power cord” (page 26).

Balanced and unbalanced connections

This unit features XLR-type balanced jacks and RCA-type unbalanced input jacks.

Note

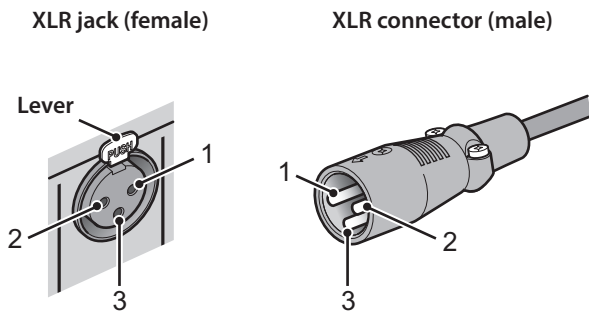
Do not use balanced and unbalanced connections between two components simultaneously. Doing so would create a ground loop that could generate static and noise.

Balanced connection

A balanced connection is designed to cancel and prevent unwanted noise. Since longer cables tend to pick up more noise, a balanced connection is useful if you need to use long cables. Generally, if your components feature balanced outputs, you should use balanced connections.

Jacks for balanced connections

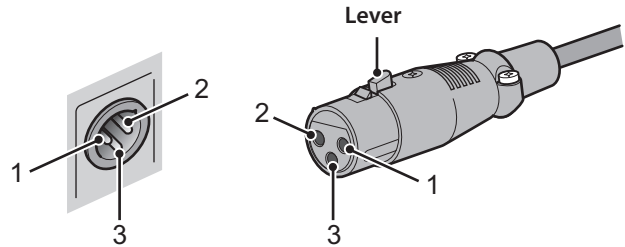
XLR-type jacks on this unit are used for balanced connections. The input and output jacks utilize different designs. Input jacks are female, and output jacks are male. For balanced connections, balanced cables with XLR connectors are used. Connect a male connector on the cable to a female jack on the unit, and connect a female connector to a male jack on the unit.



When connecting a cable to an input jack, be sure to align the pins on the connector with the holes in the jack, and then insert the connector into the jack until you hear a click. To remove the cable, while pressing and holding down the lever on the input jack on the unit, pull out the male XLR connector from the jack.

XLR jack (male)

XLR connector (female)



When connecting a cable to an output jack, be sure to align the holes on the connector with the pins on the jack, and then insert the connector into the jack until you hear a click. To remove the cable, while pressing and holding down the lever on the female XLR connector, pull it out from the jack.

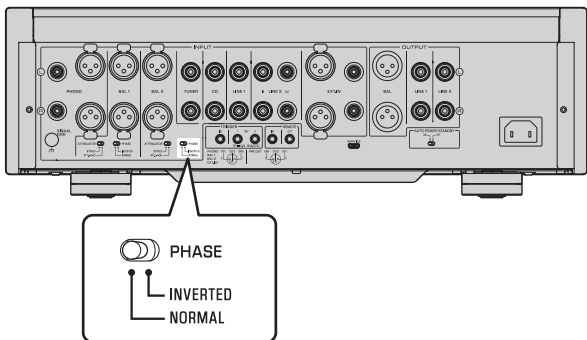
Balanced connection polarity

When making a balanced connection, you must set the polarity correctly. Generally, pin #2 is Hot, but sometimes pin #3 can be Hot. Refer to the owner's manual for the connected component to learn which pin at the output jack is Hot.

To set the polarity for the BAL 1 and BAL 2 input jack pins, use the PHASE selector on the rear panel.

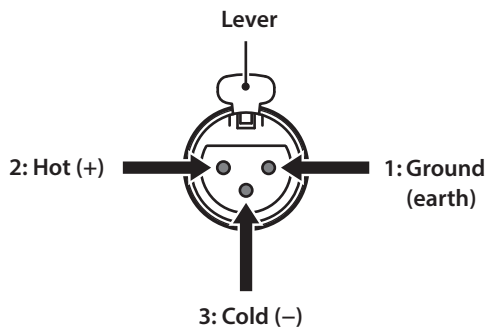
Note

- The PHONO and EXT. IN jacks do not feature a PHASE switch. The pin polarity of these jacks is standard and fixed.
- Pin #2 is Hot on Yamaha players.



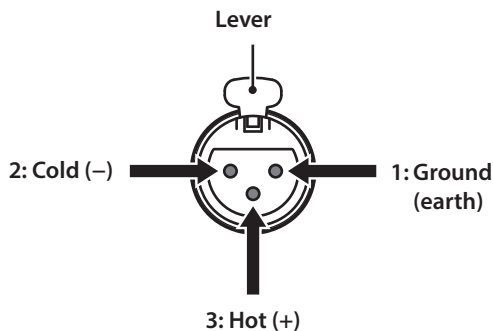
If the PHASE selector is set to NORMAL, pin #2 becomes Hot.

XLR-type input jack

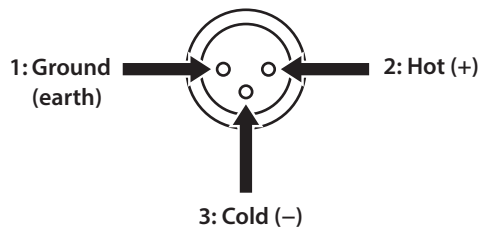


If the PHASE selector is set to INVERTED, pin #3 becomes Hot.

XLR-type input jack

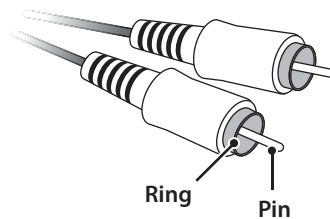


XLR-type output jack

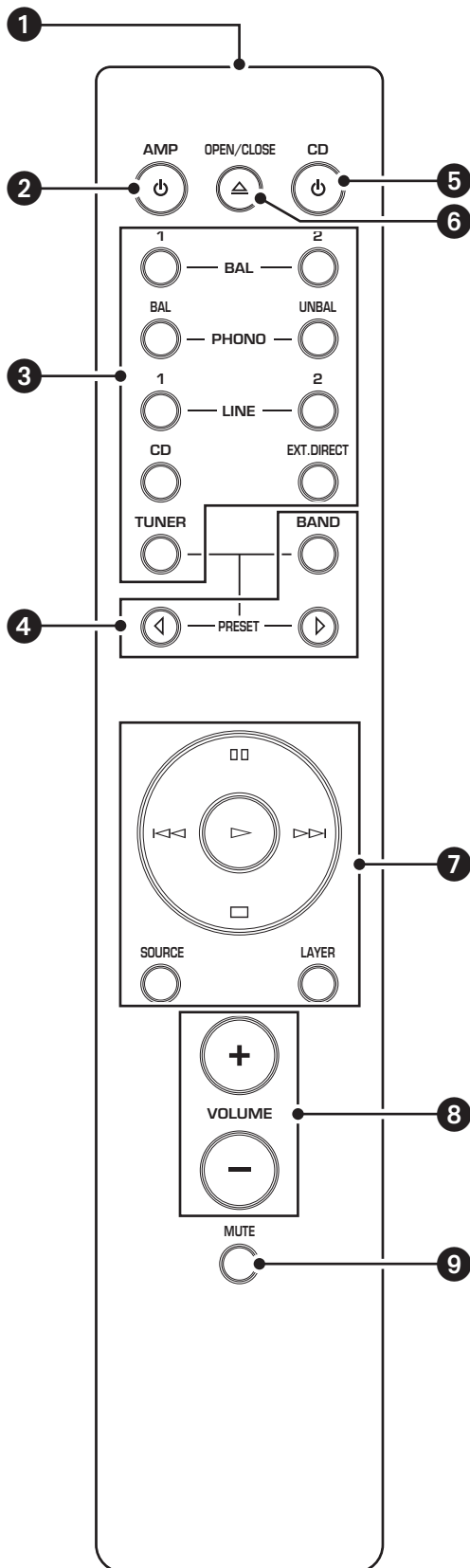


Unbalanced connection

If you are connecting an audio component that features only standard RCA jacks, use the RCA jacks on this unit for unbalanced connections. For unbalanced connections, unbalanced cables with RCA connectors should be used. These jacks and connectors do not feature a male or female design nor polarity differences.



Remote control



1 Infrared signal transmitter

Outputs infrared control signals toward the unit.

2 AMP key

Turns on the power to the unit or switches it to standby mode. For more information regarding standby mode, refer to “Front panel” (page 6).

3 Input select keys

Enable you to select the input source to be played back.

BAL: Selects the component connected to the XLR-type BAL 1 or BAL 2 jacks as the input source.

PHONO: Selects the turntable connected to the PHONO jacks (XLR-type or RCA) as the input source. Press the BAL key to select the source at the XLR-type jacks, or the UNBAL key to select the source at the RCA jacks.

LINE: Selects the component connected to the RCA-type LINE 1 or LINE 2 jacks as the input source.

EXT. DIRECT: Selects the component connected to the EXT. IN jacks as the input source. If EXT. DIRECT is selected as the input source, audio signals will not be output at the LINE 2 OUT or PHONES jacks.

CD: Selects the component (usually, a CD player) connected to the RCA-type CD jacks as the input source.

TUNER: Selects the component (usually, a tuner) connected to the RCA-type TUNER jacks as the input source.

Note

Audio signals of the selected input source will be output at the LINE 2 OUT (recording) jacks. If LINE 2 is selected as the input source, audio signals will not be output at the LINE 2 OUT (recording) jacks.

4 Tuner control keys

Enable you to control the functions of the connected Yamaha tuner. Use the BAND key to switch the reception band, and the PRESET <> keys to select a preset station. For more information, refer to the owner’s manual for your tuner.

Note

Some Yamaha tuner models might not support these key functions.

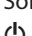

5 CD key

Turns on the power to a connected Yamaha CD player, or switches it to standby mode.

6 OPEN/CLOSE key

Opens or closes the disc tray of a connected Yamaha CD player. For more information, refer to the owner's manual for your CD player.

Note

Some Yamaha CD player models might not support the  CD key and/or  OPEN/CLOSE key functions.



7 CD player control keys

Enable you to control the functions of a connected Yamaha CD player. For more information, refer to the owner's manual for your CD player.

(Play)

Starts playback.

(Pause)

Pauses playback. Press  or  to resume playback.

(Stop)

Stops playback.

(Skip)

Skips to the next track, or returns to the beginning of the current track.

SOURCE key

Selects the source to be played on the Yamaha CD player. The playback source changes each time this key is pressed.

LAYER key

Toggles the playback layer of a hybrid super audio CD between "Super audio CD" and "CD."

Note

Some Yamaha CD player models might not support these key functions.

8 VOLUME +/- keys

Adjust the volume level.

Note

The VOLUME +/- keys on the remote control will not affect the volume level if EXT. DIRECT is selected as the input source. To adjust the volume level, use the volume control on the external amplifier connected to the EXT. IN jacks.

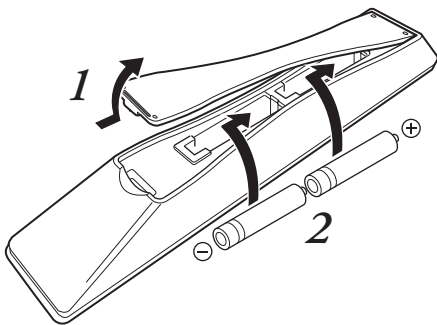
9 MUTE key

Reduces the current volume level by approximately 20 dB. Press the key again to restore the audio output to the previous volume level. Pressing the VOLUME + or - key on the remote control will also cancel muting.

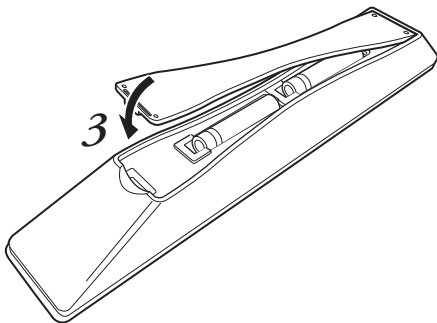
Installing batteries in the remote control

1 Remove the battery compartment cover.

2 Insert two batteries (AAA, R03, UM-4) according to the polarity markings (+ and -) on the inside of the battery compartment.



3 Reinstall the battery compartment cover.



WARNING

- Do not toss the batteries into an open fire, or expose them to high temperatures, such as direct sunlight or open flame. Otherwise, the battery might explode, causing fire or injury.
- Do not try to recharge non-rechargeable batteries. Otherwise, batteries might explode or leak, causing blindness, chemical burns or injury.
- If a battery is leaking, do not touch the liquid. Otherwise, blindness or chemical burns might be caused. If your eyes, mouth, or skin comes in contact with the liquid, immediately wash the site thoroughly with water and seek medical attention.

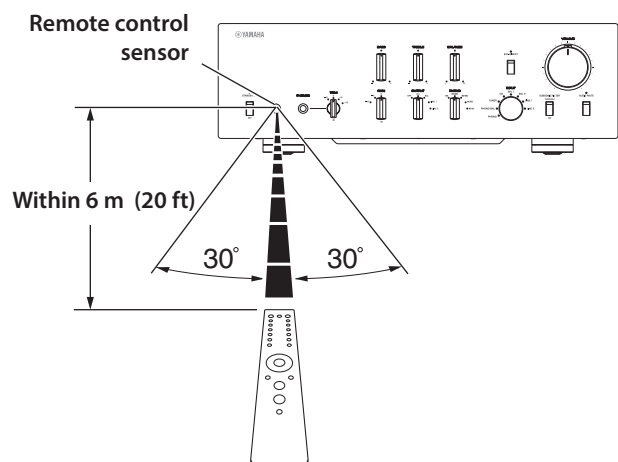


CAUTION

- Do not use a new and old batteries at the same time. Otherwise, fire, burns, or irritation due to leaking battery liquid might be caused.
- Do not use two different types of batteries at the same time. For example, if you use an alkaline battery and a manganese battery together, or two batteries from two different manufacturers or with different product numbers at the same time, fire, burns, or skin irritation due to leaking battery liquid might be caused.
- Keep the batteries out of the reach of children. Otherwise, a child might swallow the battery by accident. Also, leaking battery liquid might cause skin irritation.
- Insert the two batteries according to the polarity markings (+ and -). Otherwise, fire, burns, or skin irritation due to leaking battery liquid might be caused.
- If you plan not to use the remote control for an extended period of time, or if the batteries are exhausted completely, remove them from the remote control. Otherwise, all batteries will eventually become exhausted and might leak, causing skin irritation or damage to the remote control.

Operating the remote control

To operate the remote control, aim it directly at the remote control sensor on the front panel of the unit.



Connections

This section explains how to connect the unit to an audio source, such as a tuner or CD player, and a power amplifier.

**CAUTION**

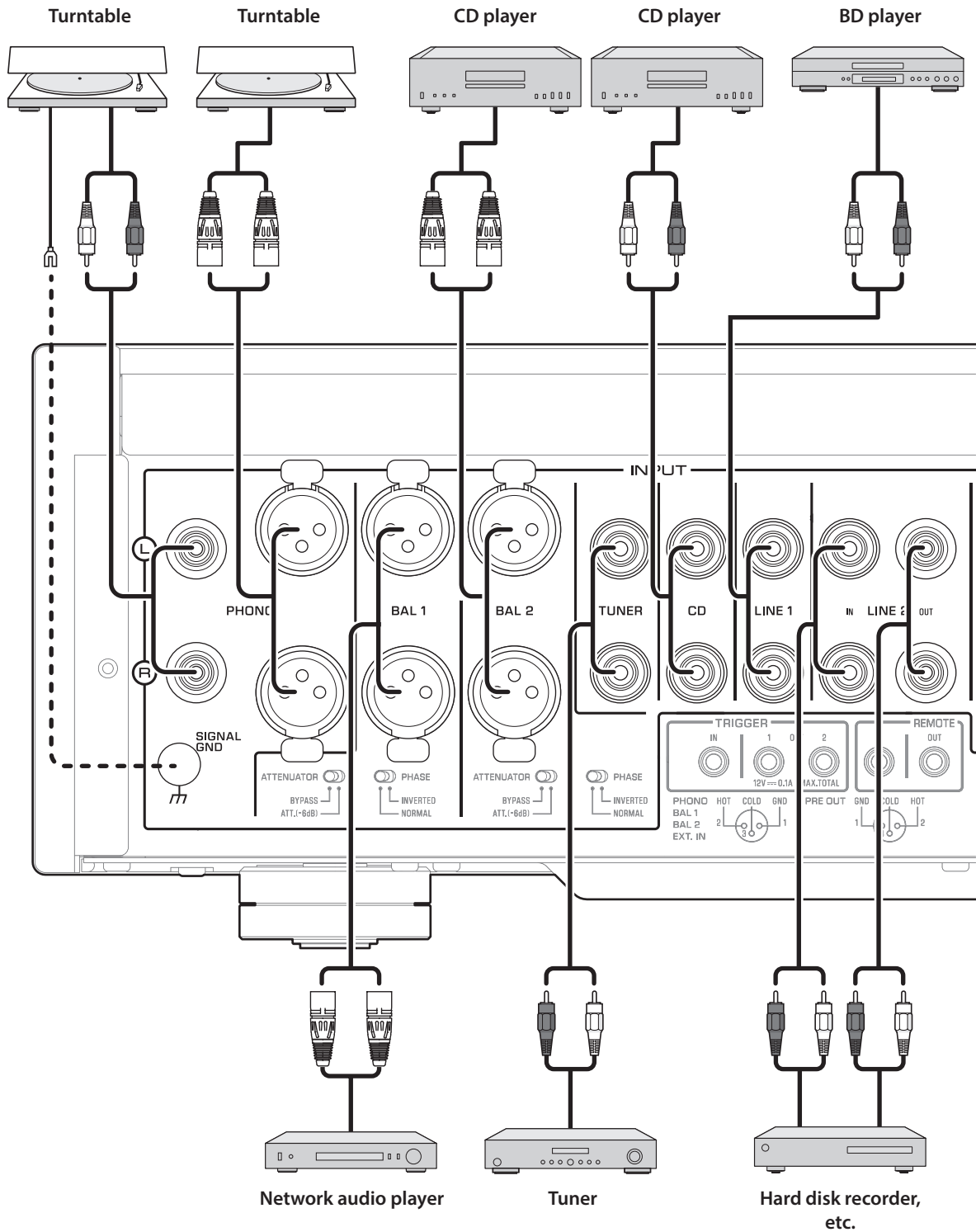
Turn off the power to all components before making any connections.

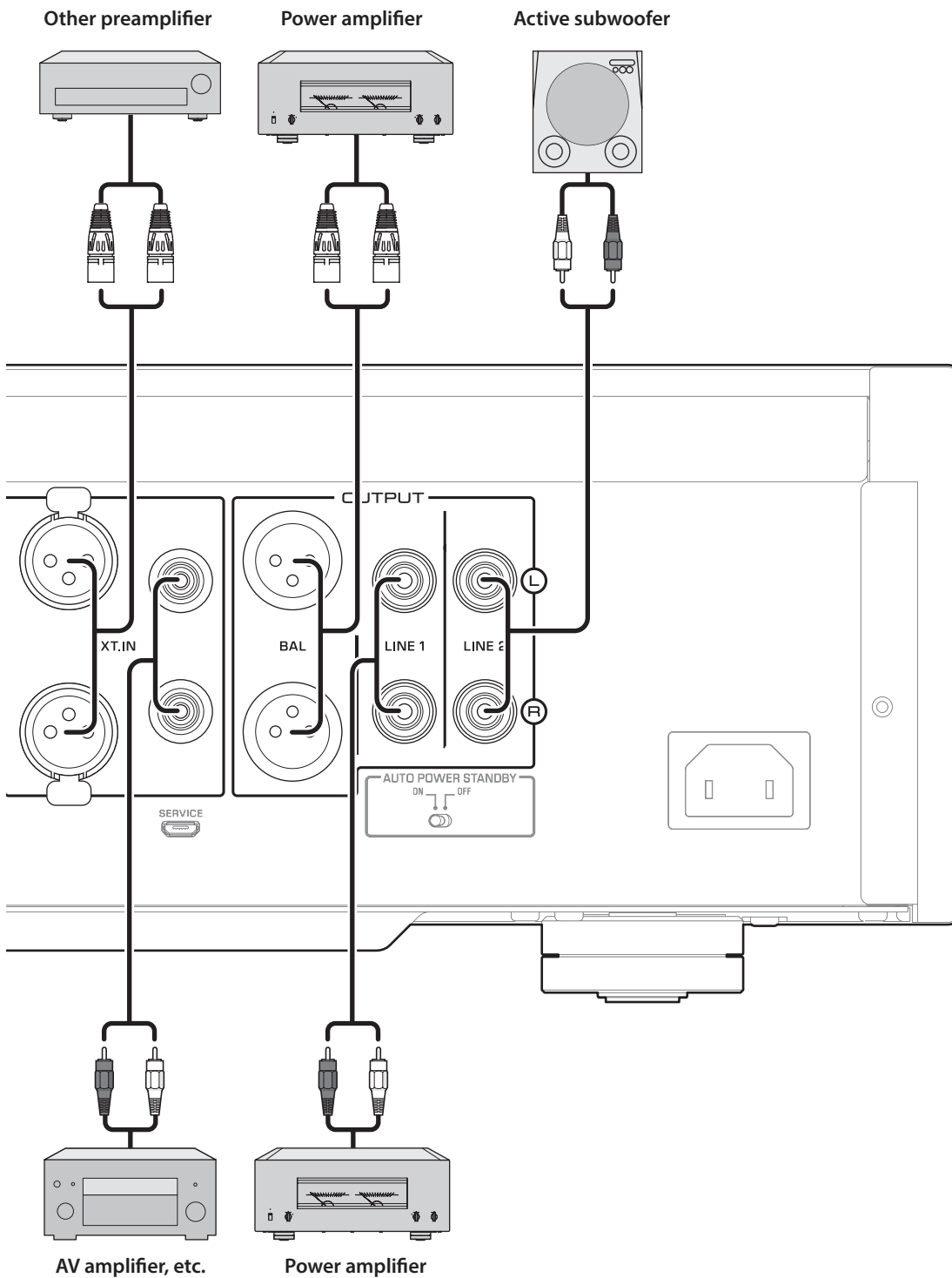
NOTICE

- Do not use balanced and unbalanced connections between two components simultaneously. Doing so would create a ground loop that could generate static and noise.
- If you are planning to connect external components, read and follow the instruction manuals for those components. Otherwise, this unit or external components might malfunction.

C-5000

Connecting an external component





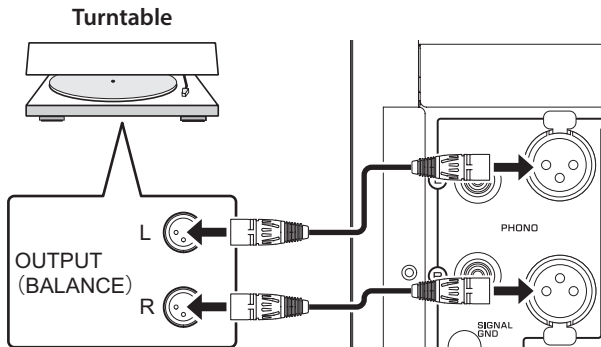
NOTICE

Do not use balanced and unbalanced connections between two components simultaneously. Doing so would create a ground loop that could generate static and noise.

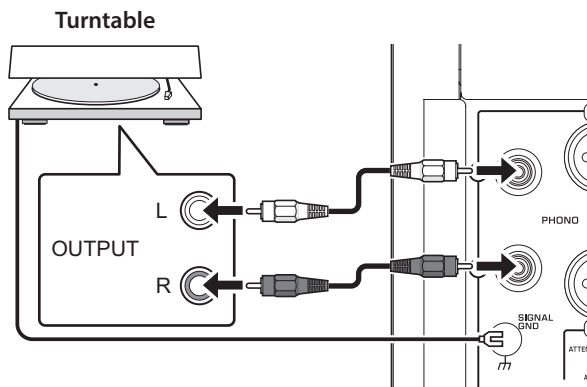
Connecting a turntable

Connect your turntable to the PHONO jacks on this unit. The unit provides XLR-type balanced jacks and RCA-type unbalanced input jacks.

Balanced connection



Unbalanced connection



Note

If you connect the turntable to the RCA jacks on this unit, listen to and compare the sound with the SIGNAL GND (ground) terminal connected and unconnected, and then select whichever less noisy.

NOTICE

Do not use balanced and unbalanced connections between this unit and the turntable simultaneously. Doing so would create a ground loop that could generate static and noise.

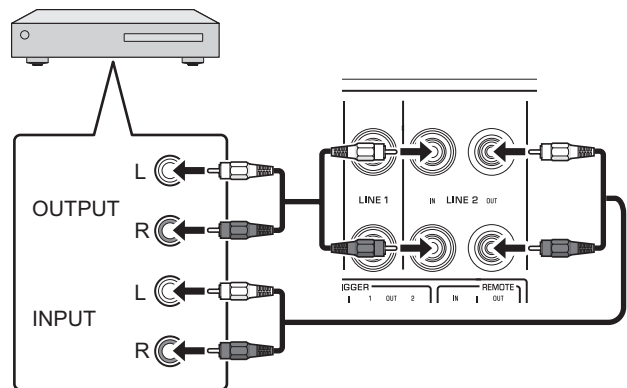
Connecting a recording component

You can connect a recording device, such as a hard disk recorder to the unit, and record audio input from the unit. Connect the recording component to both LINE 2 IN jacks and LINE 2 OUT (recording) jacks.

Note

- Make sure that you connect the LINE 2 IN jacks and LINE 2 OUT (recording) jacks to the same component.
- The signal from the LINE 2 OUT (recording) jacks is essentially identical to the signal from the output jacks specified by the OUTPUT selector. If the INPUT selector is set to LINE 2, no signal will be output at the LINE 2 OUT (recording) jacks.

Hard disk recorder, etc.

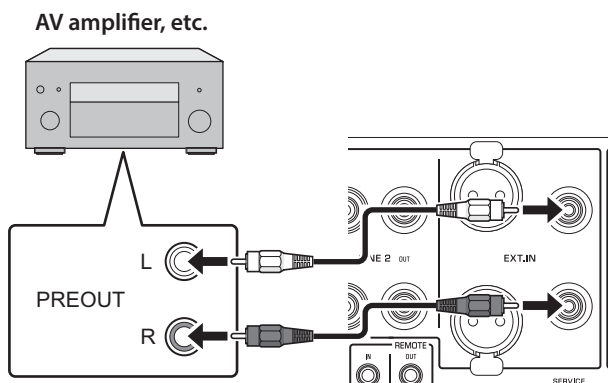
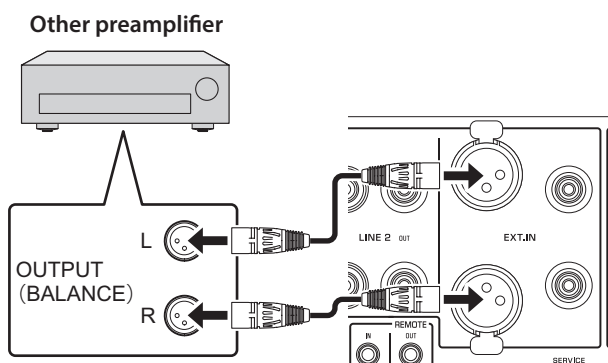


Connecting another preamplifier

If you connect the output of another preamplifier to the EXT. IN jacks on this unit and press the EXT. DIRECT switch, the source signal will pass through the unit and will be output to the connected power amplifier. The source signal input at the balanced EXT. IN jacks will be output at the balanced BAL jacks. The source signal input at the unbalanced EXT. IN jacks will be output at the LINE 1 and LINE 2 jacks.

Note

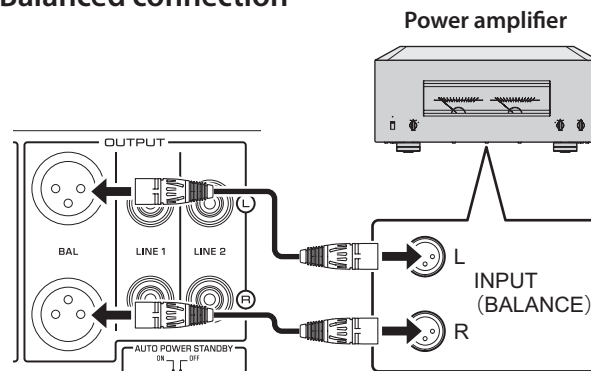
If the EXT. DIRECT switch is turned on, you will not hear any sound from the headphones connected to the PHONES jack.



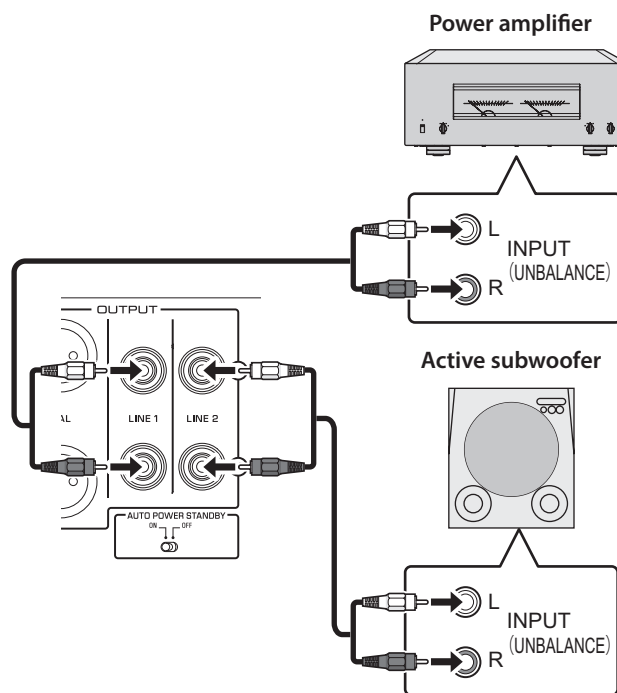
Connecting a power amplifier and an active subwoofer

You can connect a power amplifier and an active subwoofer to the BAL, LINE 1, or LINE 2 output jacks on this unit.

Balanced connection



Unbalanced connection



NOTICE

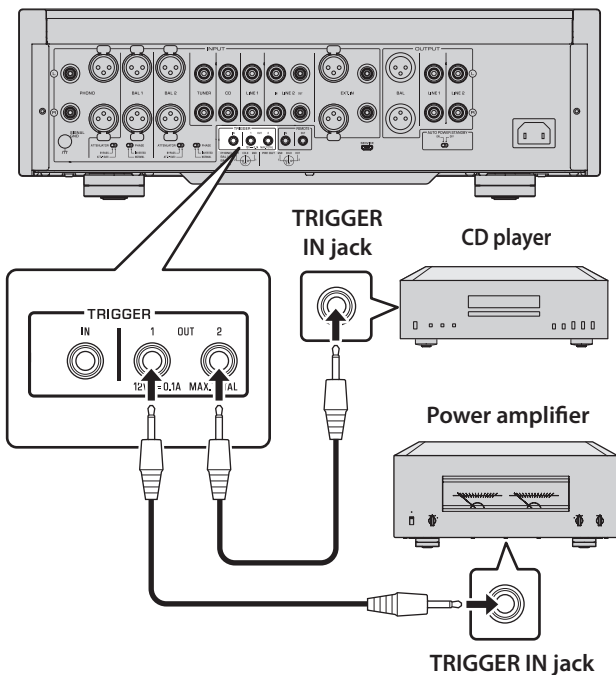
Do not use balanced and unbalanced connections between two components simultaneously. Doing so would create a ground loop that could generate static and noise.

Trigger connections

Controlling the power on-and-off operation of a connected component, such as a power amplifier, in sync with this unit

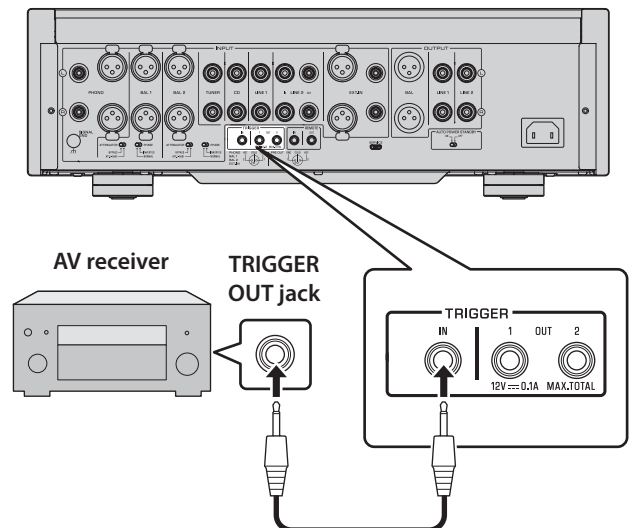
You can control the power on-and-off operation of a connected component, such as a Yamaha CD player or power amplifier, in sync with this unit.

Use a system cable to connect the unit's TRIGGER OUT jack to the connected component's TRIGGER IN jack.



Controlling the unit's power on-and-off operation in sync with a connected component, such as an AV receiver

You can control the unit's power on-and-off operation in sync with a connected component, such as a Yamaha AV receiver. Use an optional system cable to connect the unit's TRIGGER IN jack to the connected component's TRIGGER OUT jack. While the unit is in standby mode, turning on the power to the connected component will also turn on the unit, and the signal at the EXT. IN jacks will be selected as the input source. When the power to the connected component is turned off, the unit will enter standby mode.



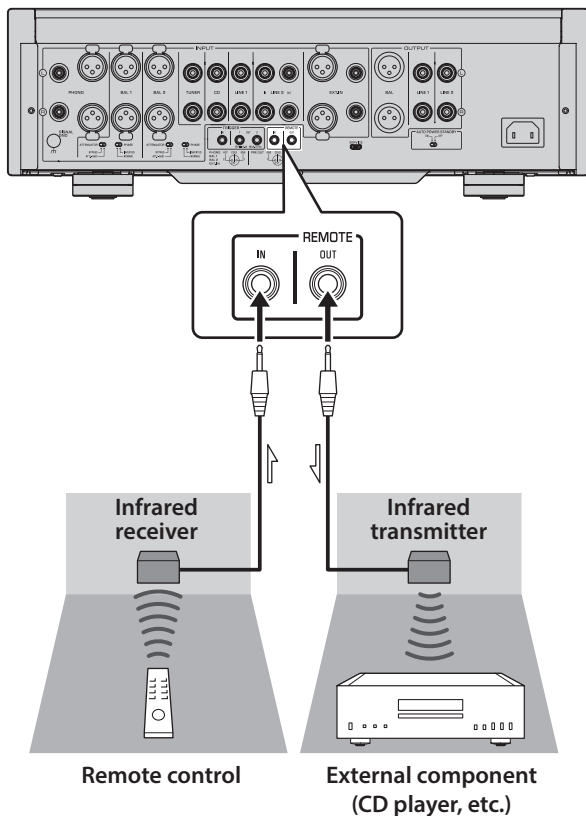
Note

- If the power switch of this unit is turned OFF, power to the unit will not be triggered from a connected component.
- Unless the input source is selected via the EXT. DIRECT switch, turning off the connected component will not turn off power to the unit.

Remote connections

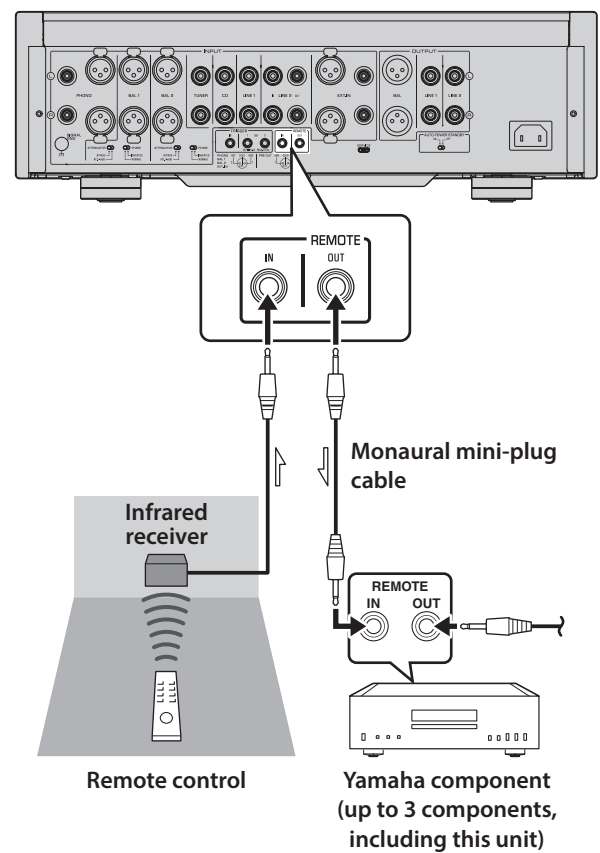
Operating the unit from another room

If you connect an infrared receiver and transmitter to the unit's REMOTE IN/OUT jacks, you will be able to operate the unit and/or external component from another room, using the supplied remote control.



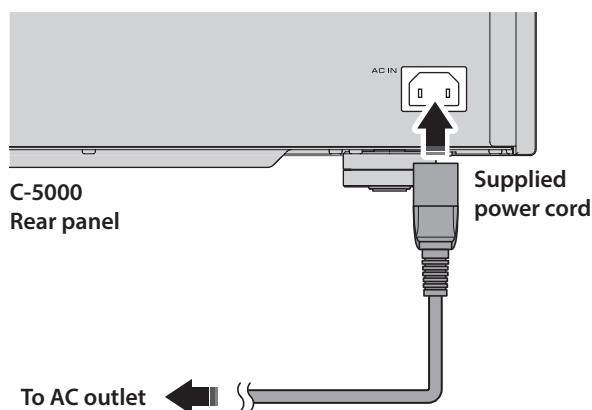
Remote connection between Yamaha components

If you have another Yamaha component that supports remote connections, as this unit does, an infrared transmitter is not necessary. You can transmit remote signals by connecting an infrared receiver to the unit's REMOTE IN jack, and the REMOTE IN jack of the other component to the unit's REMOTE OUT jack, using monaural mini-plug cables. Up to three Yamaha components (including this unit) can be set up for remote connection.



Connecting the power cord

After all connections are complete, make sure that the STANDBY/ON/OFF (Power) switch is turned off, then plug the power cord into the AC IN connector of the unit, and then plug the power cord into the AC outlet.



CAUTION

- Do not use an AC outlet that is so loose that the plug does not stay firmly in place. Otherwise, fire, electric shock, or burning might be caused.
- When disconnecting the power cord from the AC outlet, grasp the plug; do not pull the cord. Otherwise, the power cord might be damaged, causing an electric shock or fire.
- Insert the power plug into the AC outlet all the way firmly. If the plug is not inserted completely, use of the unit might cause an electric shock. Or, dust might build up on the plug, causing fire or burning.

NOTICE

If you plan not to use the unit for an extended period of time, be sure to unplug the power cord from the AC outlet. Even when the STANDBY/ON/OFF switch is turned off (the power indicator is dark), a minimal amount of electric current is still flowing to the unit.



WARNING

- If you notice any of the following abnormal conditions, turn off the power to the unit immediately, and disconnect the power plug from the AC outlet.
 - The power cord or plug is damaged.
 - The unit is emitting odor, strange noise, or smoke.
 - Liquid has been spilled or objects have fallen into the unit.
 - The sound is suddenly muted during operation.
 - The unit is cracked or damaged.

Otherwise, continued use of the unit might lead to electric shock, fire, or malfunction. Contact your nearest Yamaha dealer or service center for check-up or repair.

- Do not touch the power cord or plug during lightning storms. Otherwise, an electric shock might be caused.
- Be sure to use a power outlet with the power voltage labeled on the unit. If the unit is plugged into an outlet of an inappropriate voltage, fire, electric shock, or malfunction might be caused.
- Use only the supplied power cord. Do not use the supplied power cord for other devices. Otherwise, fire, burning, or malfunction might be caused.
- Plug the unit into an AC outlet that is clearly visible and easily reached, so that you can unplug the unit easily and quickly from the AC outlet in case of emergency. Even when the power switch is turned off, a minimal amount of electric current is still flowing to the unit, unless you unplug the unit from the AC outlet.
- If a lightning storm is approaching, turn off the power to the unit immediately, and disconnect the power plug from the AC outlet. Otherwise, fire or malfunction might be caused.
- If you plan not to use the unit for an extended period of time, be sure to unplug the power cord from the AC outlet. Otherwise, fire or malfunction might be caused.

Operations

This section explains basic operating procedures.
You can follow these procedures to take advantage of the unit's functions.
These procedures are intended only as examples.

C-5000

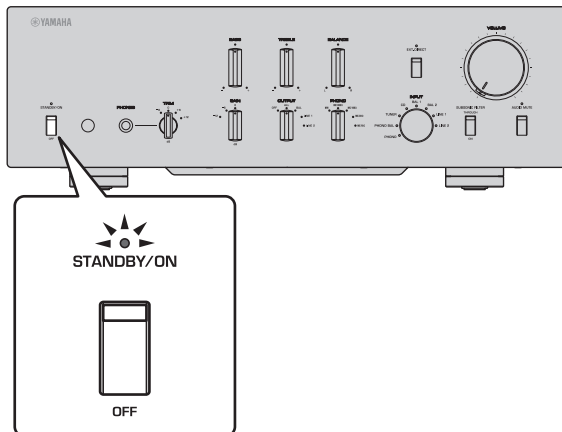
Turning the power on



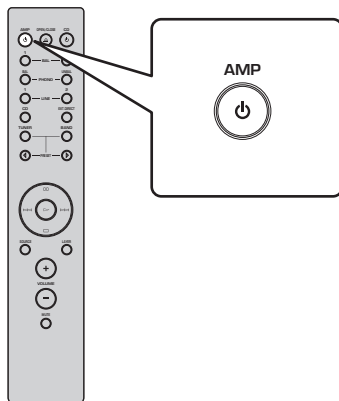
CAUTION

Be sure to lower the volume level to minimum before turning the power on.

Turn the power on by setting the STANDBY/ON/OFF (Power) switch on the front panel to STANDBY/ON.



If the unit is in standby mode, you can also turn the power on using the remote control.



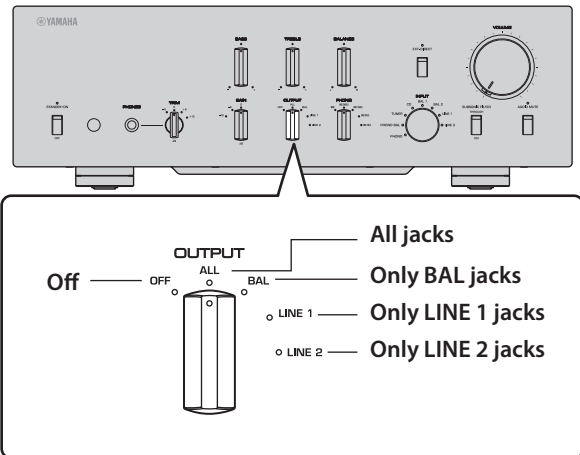
NOTICE

Turn on the power to all components in the following sequence: power amplifier, preamplifier (this unit), other components (such as a CD player and tuner).

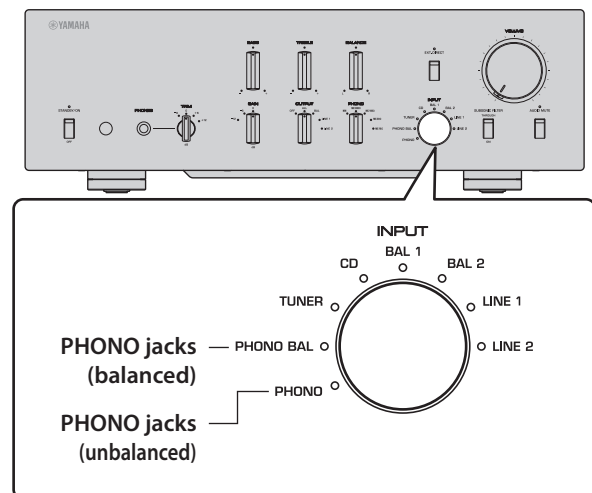
Reverse this sequence when you turn the power off.

Selecting the input and output

Select a pair of output jacks using the OUTPUT selector.

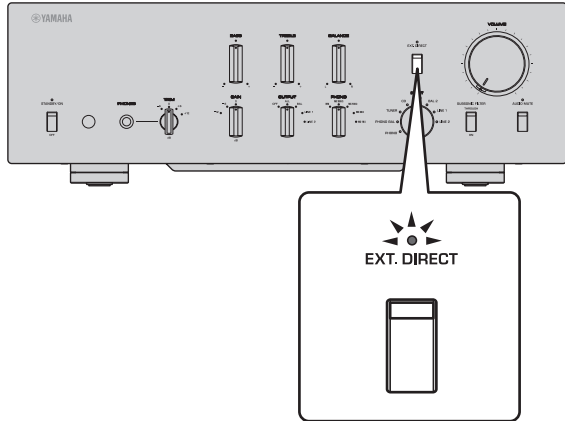


Select the audio source using the INPUT selector.



The corresponding indicators will light up.

Selecting the input from the EXT.IN jacks



Press the EXT. DIRECT switch. The EXT. DIRECT indicator will light up. The INPUT selector setting will be disabled, and the audio source input from the EXT. IN jacks will be output at a pair of the output jacks. The source signal input at the balanced input jacks will be output at the balanced BAL output jacks. The source signal input at the LINE input jacks will be output at the LINE 1 and LINE 2 output jacks.

If you press the EXT. DIRECT switch again or rotate the INPUT selector, the signal specified by the INPUT selector will become the input source. The EXT. DIRECT indicator will turn off.

Note

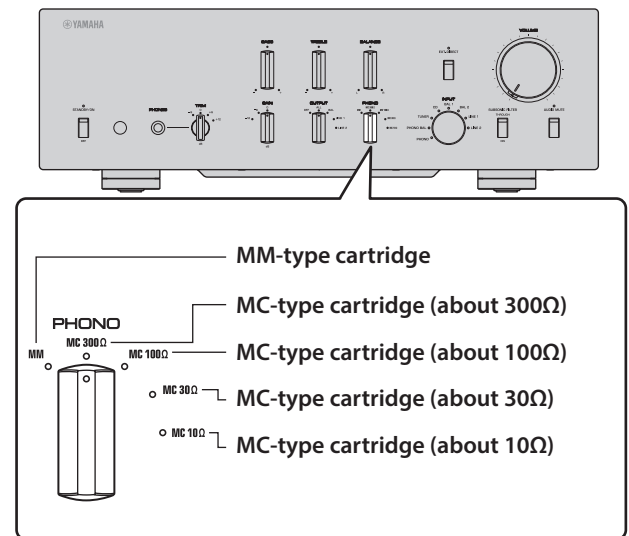
If EXT. DIRECT is selected, no signal will be output at the LINE 2 OUT (recording) jacks nor at the PHONES jack.

Adjusting the turntable input setting

PHONO selector

Set the PHONO selector according to the turntable cartridge.

Options for turntable cartridge



CAUTION

If an MM-type cartridge is used on the turntable, be sure to set the PHONO selector to MM.

Note

Impedance labels on the PHONO selector indicate approximate values. Listen to and check the sound with different impedance settings to select the most appropriate option.

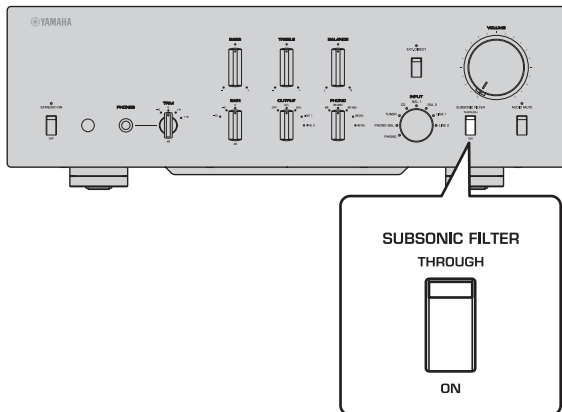
NOTICE

Before you replace the cartridge, be sure to turn off the power to this unit.

Subsonic filter

Turn on the SUBSONIC FILTER switch to apply the subsonic filter, as needed.

A resonating turntable tone arm or a warped vinyl record could cause a very low frequency rumble (subsonic noise) that might apply load and damage to the speakers. A subsonic filter will cut such noise to protect the speakers.

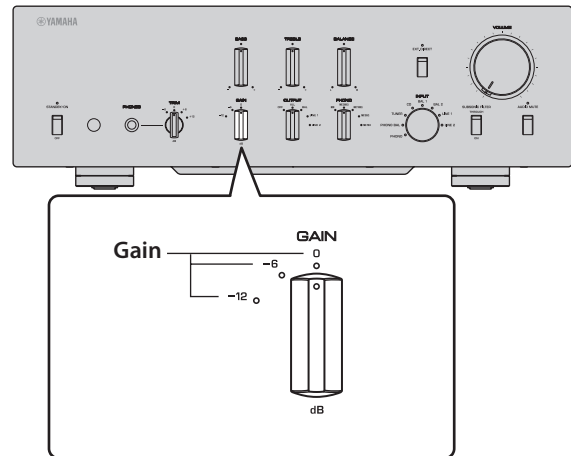


Note

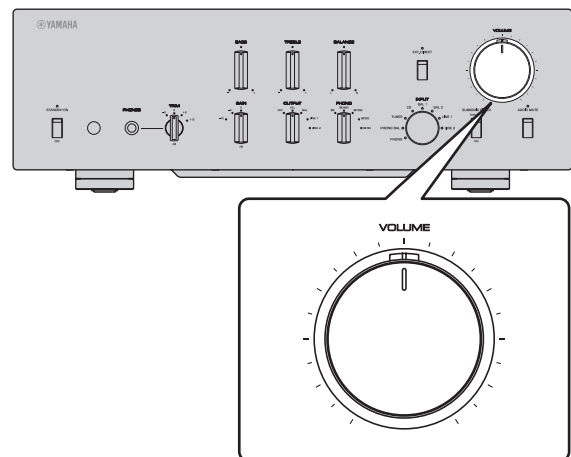
The subsonic filter is disabled whenever any audio source other than the turntable (connected to the PHONO jacks) is selected as the input source, even if the SUBSONIC FILTER switch is turned on.

Adjusting the volume level

Set the gain using the GAIN selector so that you can make fine volume adjustments.

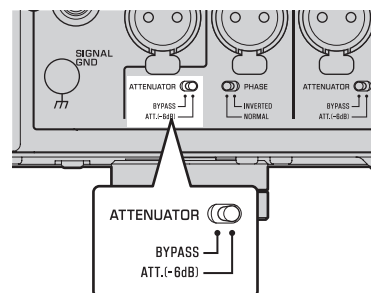


Adjust the volume level using the VOLUME control.



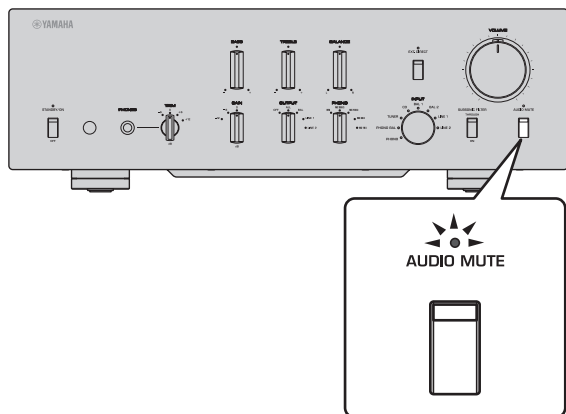
Note

If you still hear distortion even if the VOLUME control is turned down, the signal might exceed the allowable input level. If the audio source is being input at the balanced input jacks (BAL 1 or BAL 2), set the ATTENUATOR selector to ATT. (-6 dB).



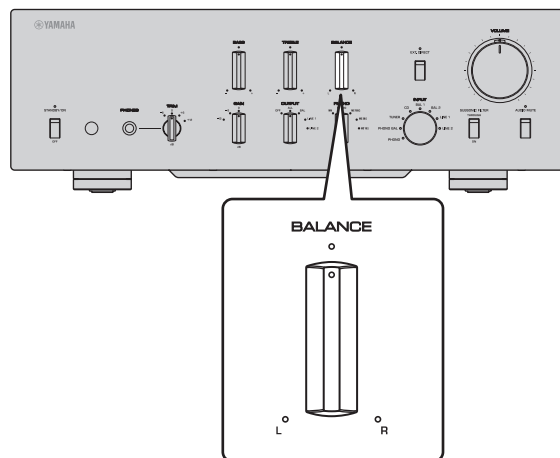
Lowering the volume level momentarily

Press the AUDIO MUTE switch to reduce the current volume level by approximately 20 dB. Press the switch again to restore the previous volume level.

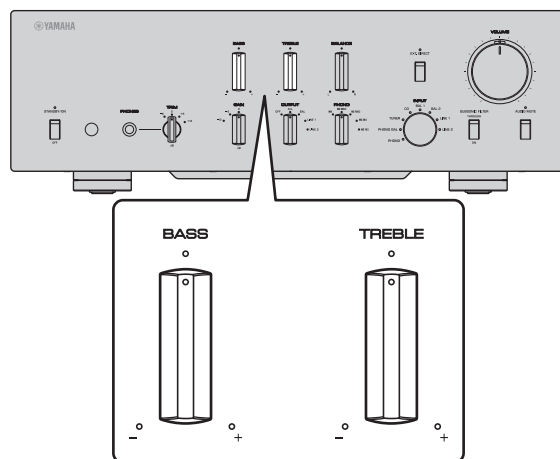


Adjusting the tone

Adjust the volume level balance between the left and right speakers using the BALANCE control.



Adjust the volume level of the high and low ranges using the BASS and TREBLE control.

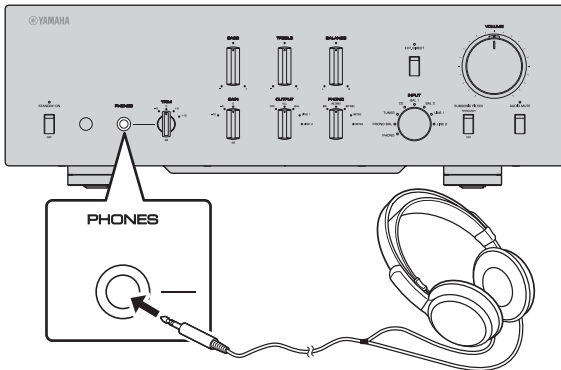


Note

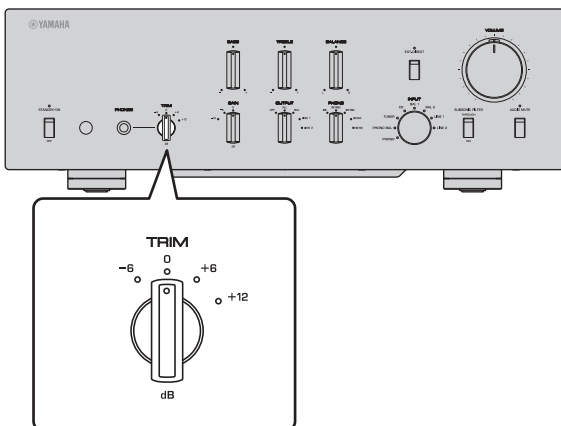
- If both BASS and TREBLE controls are set to the center, the audio signal will bypass the tone control circuit.
- The BASS, TREBLE, and BALANCE control settings will not affect the input signals at the EXT. IN jacks nor the output signals at the LINE 2 OUT (recording) jacks.

Connecting headphones

If headphones are connected to the PHONES jack, no signal will be output at the output jacks (BAL, LINE 1, and LINE 2 output jacks) on the rear panel.



Use the TRIM selector to switch the headphone amp gain so you can adjust the level balance between the audio output from the PHONES jack and the speakers to avoid sudden changes in volume.



Note

If EXT. DIRECT is selected, no signal will be output from the PHONES jack.

Reference Materials

C-5000

General specifications

Rated output voltage/output impedance (Input 200 mV, 20 Hz to 20 kHz, THD 0.01%)

BAL (BYPASS).....	2 Vrms/150Ω
BAL (ATT. -6dB).....	1 Vrms/150Ω
LINE 1/LINE 2.....	1 Vrms/150Ω
LINE 2 OUT (recording).....	200 mVrms/1.2 kΩ

Maximum output voltage (1 kHz, THD 0.05%)

BAL.....	6 Vrms
LINE 1/LINE 2.....	3 Vrms
LINE 2 OUT (recording).....	3 Vrms

Input sensitivity/input impedance

BAL/LINE 1/LINE 2, 1 V

BAL 1/BAL 2.....	200 mVrms/52 kΩ
TUNER/CD/LINE 1/LINE 2 IN	200 mVrms/47 kΩ
EXT.IN.....	1 Vrms/20 kΩ

LINE 2 OUT (recording) (150 mV, 1 kHz)

PHONO (MC 300Ω).....	100 μVrms/300Ω
PHONO (MC 100Ω).....	100 μVrms/100Ω
PHONO (MC 30Ω).....	100 μVrms/30Ω
PHONO (MC 10Ω).....	100 μVrms/10Ω
PHONO (MM, XLR-type).....	2.5 mVrms/52 kΩ
PHONO (MM, RCA-type).....	2.5 mVrms/47 kΩ

Maximum input signal voltage

LINE 2 OUT (recording) (1 kHz, THD 0.05%)

BAL (BYPASS).....	2.8 Vrms
BAL (ATT. -6dB).....	5.6 Vrms
TUNER/CD/LINE 1/LINE 2 IN.....	2.8 Vrms
PHONO (MC).....	2 mVrms
PHONO (MM).....	50 mVrms
EXT.IN.....	5.6 Vrms

Frequency response (JEITA, load 22 kΩ)

10 Hz to 100 kHz.....	+0/-3 dB
20 Hz to 20 kHz.....	+0/-0.3 dB

Total harmonic distortion plus noise (JEITA, input 0.5 V, 20 Hz to 20 kHz)

BAL 1/BAL 2/TUNER/CD/LINE 1/LINE 2 IN → BAL/LINE 1/LINE 2.....	0.0100%
PHONO (MC) → LINE 2 OUT (recording)	0.0200%
PHONO (MM) → LINE 2 OUT (recording)	0.0200%

Channel separation

(Input 1.0 kΩ terminated, 1 kHz/10 kHz, JEITA)

BAL 1/BAL 2/TUNER/CD/LINE 1/LINE 2 IN	110 dB or higher
PHONO (MC).....	80 dB or higher
PHONO (MM).....	98 dB or higher

Function separation

(IHF-A network, input 1.0 kΩ terminated, JEITA)

BAL 1/BAL 2/TUNER/CD/LINE 1/LINE 2 IN	110 dB or higher
PHONO (MC).....	75 dB or higher
PHONO (MM).....	95 dB or higher

Signal to noise ratio

(IHF-A network, input 1.0 kΩ terminated, JEITA)

BAL 1/BAL 2/TUNER/CD/LINE 1/LINE 2 IN	110 dB or higher
PHONO (MC 300Ω).....	80 dB or higher
PHONO (MM).....	98 dB or higher

Residual noise (IHF-A network)

BAL/LINE 1/LINE 2.....	3 μV
------------------------	------

Tone control characteristics

Bass

Boost/cut.....	30 Hz/±9 dB
Turnover frequency.....	350 Hz

Treble

Boost/cut.....	20 kHz/±9 dB
Turnover frequency.....	3.5 kHz

**Headphone jack rated output power
(1 kHz, 32Ω, 0.2% THD)**

..... 35 mW + 35 mW

RIAA equalization deviation

MC/MM ±0.5 dB

Subsonic filter characteristics

MC/MM 15 Hz/−3 dB

Power supply

[Models for U.S.A. and Canada] . . . AC 120 V, 60 Hz

[Model for China] AC 220 V, 50 Hz

[Model for Korea] AC 220 V, 60 Hz

[Model for Australia] AC 240 V, 50 Hz

[Models for U.K. and Europe] . . . AC 230 V, 50 Hz

[Model for Asia] AC 220–240 V, 50 Hz/60 Hz

[Models for Central and South America,
and Taiwan] AC 110 V, 60 Hz

Power consumption

..... 60 W

Standby power consumption

Off mode 0.1 W

Standby mode 0.2 W

Dimensions (W x H x D)

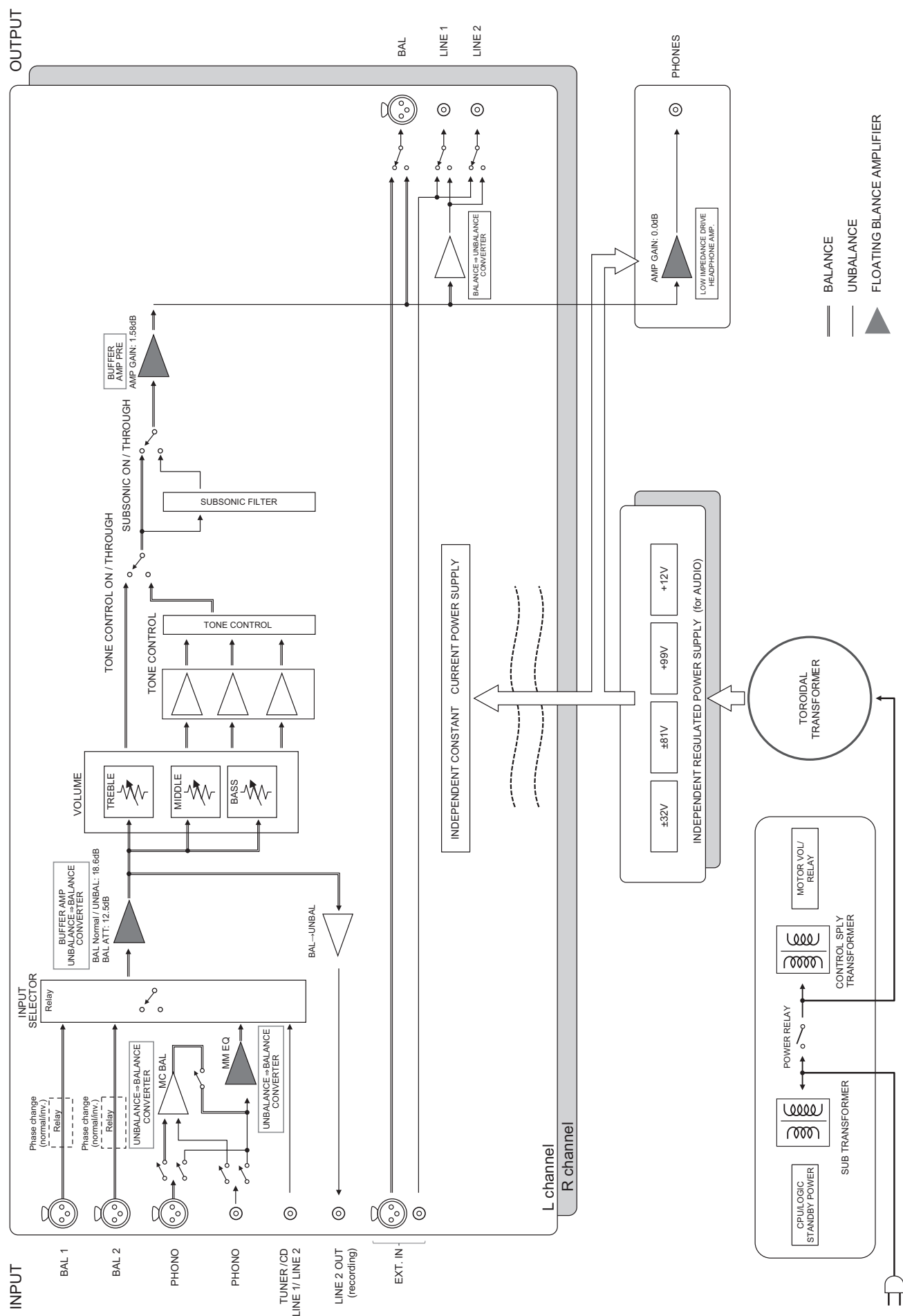
..... 435 × 142 × 451 mm

Weight

..... 19.1 kg

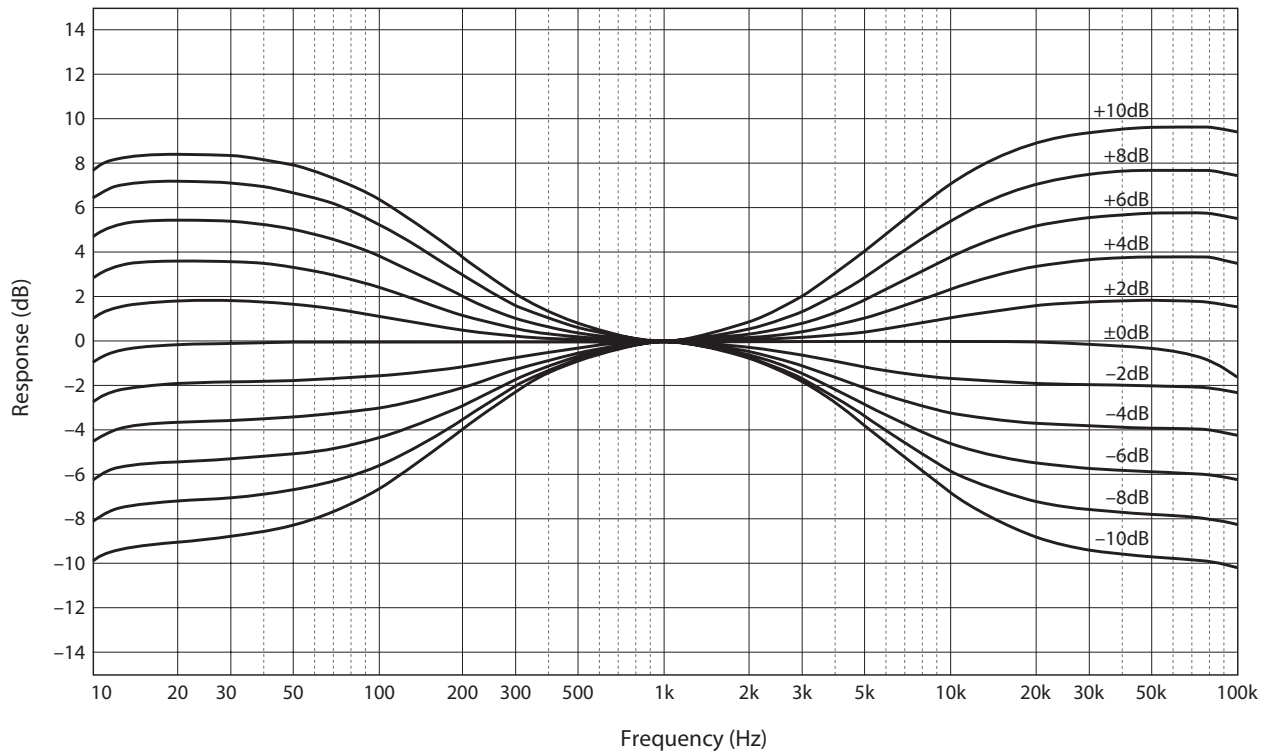
* The contents of this manual apply to the latest specifications as of the publishing date. To obtain the latest manual, access the Yamaha website then download the manual file.

Block diagram

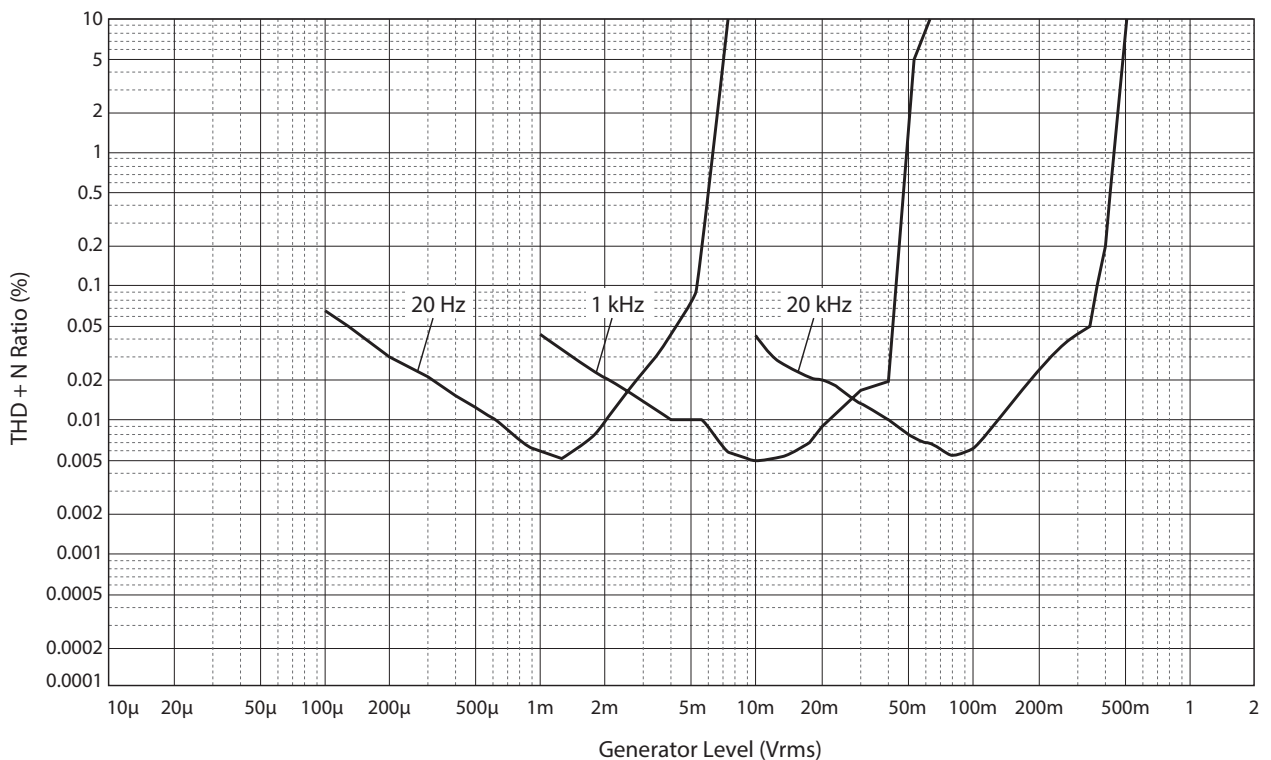


Audio characteristics

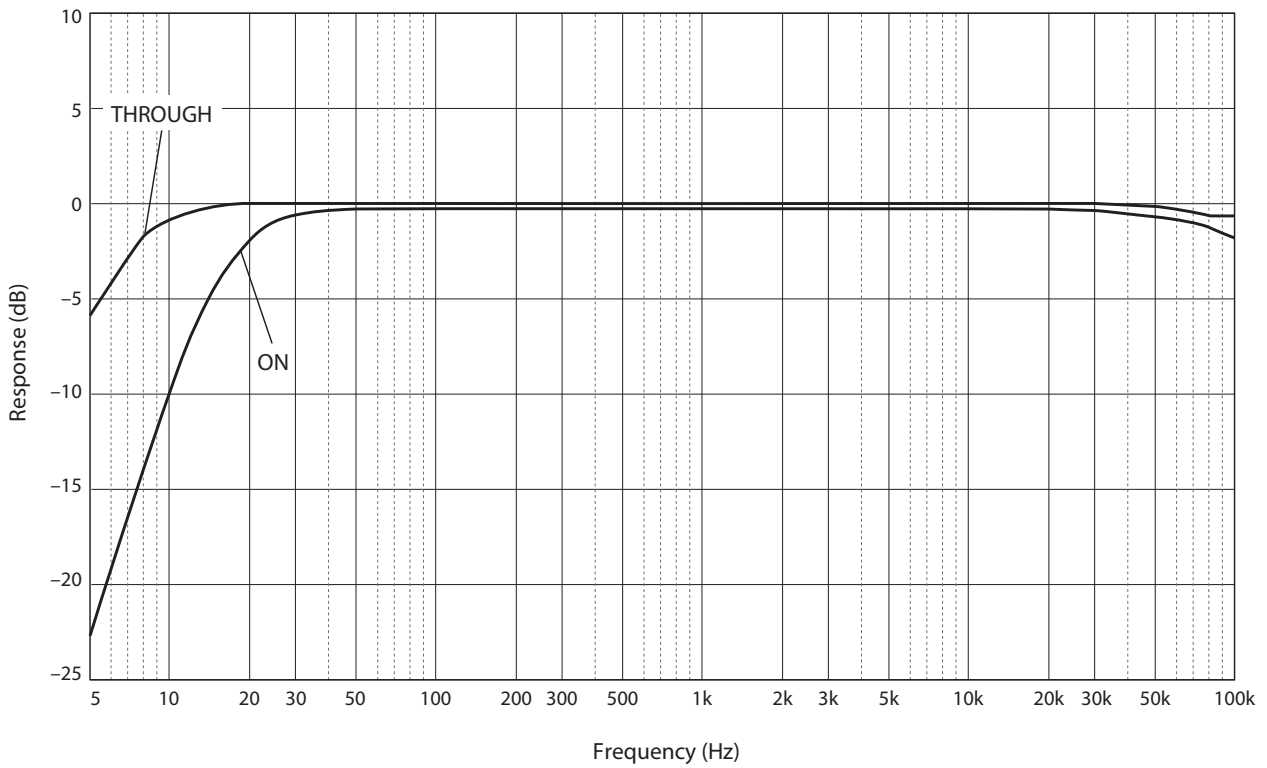
Frequency response (tone control)



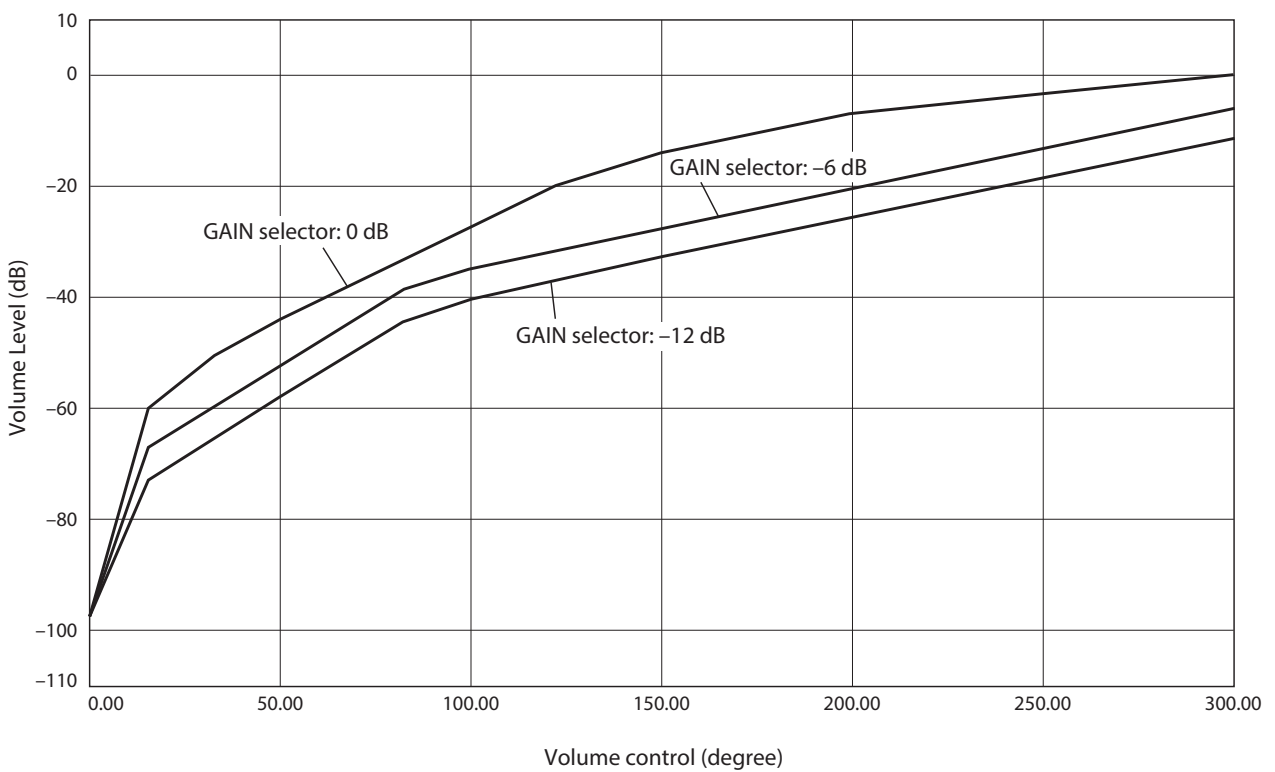
Total harmonic distortion (PHONO)



Frequency response (subsonic filter)



Volume curve



Troubleshooting

Refer to the table below if this unit does not function properly. If the instructions below do not help, or if the problem you are experiencing is not listed below, turn off the unit, disconnect the power cord, and contact the nearest authorized Yamaha dealer or service center.

Problem	Cause	Remedy	See page
Power does not turn on.	The power cord is not connected to the AC IN connector on the rear panel or is not plugged into an AC outlet.	Connect the power cord firmly.	26
	The unit has been exposed to a strong external electric shock (such as lightning or strong static electricity).	Turn off the unit, disconnect the power cord from the AC outlet, wait for about 30 seconds, and then plug the unit in again.	26
	There is a problem with the internal circuitries of this unit.	Disconnect the power cord from the AC outlet and contact the nearest authorized Yamaha dealer or service center.	26
No sound is heard.	Incorrect input or output cable connections.	Connect the cables properly. If the problem persists, the cables might be defective.	20
	No appropriate input source has been selected.	Select an appropriate input source using the INPUT selector on the front panel (or one of the input selector keys on the remote control).	28
	The OUTPUT selector setting does not match the output jacks that are being used.	Select an appropriate output using the OUTPUT selector.	28
The volume level cannot be adjusted.	EXT. DIRECT is selected as the input source.	Adjust the volume level on the connected component. Alternatively, connect the external component to a pair of the input jacks other than the EXT. IN jacks, and then select the corresponding input source.	20 28
Only one channel speaker can be heard.	The playback component is not connected properly.	Make sure that the connections are made properly. If the problem persists, the cables might be defective.	20

Problem	Cause	Remedy	See page
A “humming” noise is heard.	Incorrect input or output cable connections.	Connect the cables properly. If the problem persists, the cables might be defective.	20
	The turntable is not grounded to the GND terminal.	Connect the turntable to the GND terminal of this unit.	22
	Both balanced and line cables are being used simultaneously between two components.	Do not use both balanced and line cables simultaneously between two components. Doing so would create a ground loop that could generate static and noise.	21
Playback audio from the component connected to the BAL 1 or BAL 2 balanced input jacks sounds distorted.	The level of the signal at the balanced input jacks is exceeding the allowable input level.	If the level of the signal at the XLR-type balanced output jacks on the connected playback component is doubled compared to the RCA unbalanced jacks, set the ATTENUATOR selector located below the input jacks to ATT. (–6 dB).	30
Bass lacks depth when BAL 1 or BAL 2 (balanced input) is selected.	The polarity is incorrect.	Select the correct polarity using the PHASE selector.	14
The volume level of the vinyl record is too low.	The PHONO switch on the front panel is set incorrectly.	Set the PHONO switch to the MM or MC position according to the type of magnetic cartridge of the turntable.	29
The remote control does not work or function properly.	The remote control has been used out of the operating range.	The remote control must be used within a maximum distance of 6 m and no more than 30 degrees off-axis from the remote control sensor on the front panel.	18
	Direct sunlight or lighting (from an inverter type of fluorescent lamp, strobe light, etc.) is hitting the remote control sensor on the front panel.	Change the orientation of the lighting or reposition the unit.	18
	The batteries are weak.	Replace all batteries.	18

Index

A

- AC IN jack 26
- Adjusting the turntable input 29
- ATTENUATOR selector 30
- AUDIO MUTE switch 31
- AUTO POWER STANDBY switch 13

B

- BAL 1 jack 11
- BAL 2 jack 11
- BALANCE control 31
- Balanced connection 14
- BAL jack 13
- BASS control 31

C

- Connecting a power amplifier 23
- Connecting a recording component 22
- Connecting a subwoofer 23
- Connecting a turntable 22
- Connecting headphones 32

E

- EXT. DIRECT switch 29
- External In jack 23
- EXT. IN jack 23

G

- GAIN selector 30
- Ground terminal 22

I

- INPUT selector 28

L

- LINE 1 jack 13
- LINE 2 jack 13
- LINE 2 IN jack 12
- LINE 2 OUT (recording) jack 12

O

- OUTPUT selector 28

P

- PHASE selector 14
- PHONES jack 32
- Phono jack 22
- PHONO jack 22
- PHONO selector 29
- Power indicator 6
- Power switch 6

R

- Remote connection 25
- Remote control sensor 18
- REMOTE jack 25

S

- SERVICE jack 13
- SIGNAL GND terminal 22
- Signal ground terminal 22
- STANDBY/ON/OFF indicator 6
- STANDBY/ON/OFF switch 6
- SUBSONIC FILTER 30
- SUBSONIC FILTER switch 30

T

- TREBLE control 31
- Trigger connection 24
- TRIGGER jack 24
- TRIM selector 32
- Turning the power on 6

U

- Unbalanced connection 15

V

- VOLUME control 30

Nous vous remercions et vous félicitons d'avoir choisi ce produit Yamaha.

- ◆ Ce préamplificateur vous permet de bénéficier chez vous d'un son stéréo de haute qualité.
- ◆ Ce Mode d'emploi décrit les fonctions de l'appareil, les procédures de connexion et l'utilisation des diverses fonctions.
- ◆ Afin de garantir une utilisation correcte et sûre du produit, nous vous conseillons de lire ce Mode d'emploi ainsi que la Brochure sur la sécurité (document séparé).
Conservez ce Mode d'emploi dans un endroit sûr et facile d'accès en vue de références futures.



Vous pouvez télécharger la version électronique (PDF) de ce Mode d'emploi sur le site Internet Yamaha ci-dessous.

<https://download.yamaha.com/>

Fonctions

- ◆ Conception gauche-droite symétrique produisant une structure en miroir
- ◆ Fonctionnement en classe A à tous les étages, transmission à symétrie flottante du signal de l'entrée à la sortie
- ◆ Préampli phono symétrique et à masse flottante avec entrées symétriques
- ◆ Commandes ultra-précises intégrant une structure à roulement exclusive et sélecteurs à levier hautement rigides
- ◆ Double transformateur conçu spécialement pour le son et complètement indépendant de l'alimentation
- ◆ Construction intégrant une masse mécanique stable réduisant considérablement l'effet des vibrations externes
- ◆ Circuit de tonalité incorporant un système de volume parallèle exclusif
- ◆ Pieds à crampon en laiton de conception neuve
- ◆ Fonction de commande de gain permettant un réglage extrêmement fin du volume

À propos de ce manuel

- ◆ Les illustrations dans ce manuel sont uniquement fournies à des fins explicatives.
- ◆ Les noms de sociétés et de produits figurant dans ce manuel sont des marques commerciales ou des marques déposées de leurs détenteurs respectifs.
- ◆ «  **AVERTISSEMENT** » décrit des précautions à suivre impérativement pour éviter les risques de blessures graves, voire de décès.
- ◆ «  **ATTENTION** » décrit des précautions à suivre impérativement pour éviter les risques de blessures.
- ◆ « **AVIS** » décrit des précautions à suivre impérativement pour éviter les risques de dysfonctionnement/ d'endommagement de ce produit, ainsi que l'endommagement des données.
- ◆ « **Note** » fournit des informations complémentaires sur le produit.
- ◆ Avant la première utilisation de ce produit, veuillez lire le document annexe « Brochure sur la sécurité ».

Sommaire

Fonctions	42
À propos de ce manuel	42
Accessoires fournis	44
Entretien.	44
Panneaux latéraux de fini miroir.	44
Autres surfaces.	44

Commandes et fonctions

Panneau avant.	46
Panneau arrière	50
Connexions symétriques et asymétriques	54
Télécommande	56
Mise en place des piles dans la télécommande.	58
Utilisation de la télécommande	58

Raccordements

Connexion d'un composant externe	60
Connexion d'une platine vinyle	62
Connexion d'un appareil d'enregistrement	62
Connexion d'un autre préamplificateur	63
Connexion d'un amplificateur de puissance et d'un subwoofer actif.	63
Connexions TRIGGER.	64
Mise sous tension/hors tension synchronisée d'un composant comme un amplificateur de puissance connecté à cet appareil	64
Commande de la mise sous tension et hors tension de cet appareil depuis un composant connecté, tel qu'un récepteur AV	64
Connexions à distance	65
Commande de cet appareil depuis une autre pièce	65
Connexion à distance entre les composants Yamaha	65
Raccordement du cordon d'alimentation	66

Utilisation des fonctions de l'appareil

Mise sous tension	68
Choix de l'entrée et de la sortie	68
Choix du signal reçu aux prises EXT.IN	69
Réglage du paramètre d'entrée de la platine vinyle.	69
Sélecteur PHONO	69
Filtre subsonique	70
Réglage du niveau de volume	70
Réduction momentanée du niveau de volume.	71
Réglage du timbre	71
Connexion d'un casque	72

Références techniques

Caractéristiques générales	74
Schéma fonctionnel	76
Caractéristiques sonores	77
Réponse en fréquence (commande de timbre).	77
Distorsion harmonique totale (PHONO)	77
Filtre subsonique	78
Courbe de volume	78
Guide de dépannage.	79
Index	81

Accessoires fournis

Veillez vous assurer que l'emballage contient tous les éléments suivants.

- Télécommande
- Piles (AAA, R03, UM-4) (x2)
- Cordon d'alimentation
- Mode d'emploi (ce document)
- Brochure sur la sécurité (document séparé)



AVERTISSEMENT

N'utilisez pas le cordon d'alimentation fourni avec d'autres appareils.

Entretien

Pour garantir une longévité optimale de ce produit, nous vous conseillons d'en prendre soin et de l'inspecter régulièrement.



AVERTISSEMENT

- Vérifiez régulièrement le cordon d'alimentation pour vous assurer qu'il n'est pas empoussiéré. Éliminez toute poussière du cordon. Un cordon d'alimentation empoussiéré peut causer un incendie ou un choc électrique.
- N'utilisez ni aérosol ni vaporisateur de gaz inflammable pour le nettoyage ou la lubrification. L'accumulation de gaz inflammable à l'intérieur de l'appareil pourrait causer une explosion ou un incendie.

AVIS

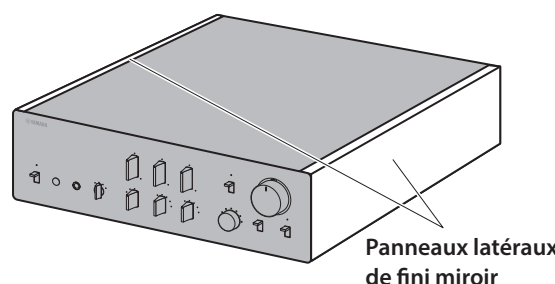
- Nettoyez la surface de l'appareil avec un chiffon doux et sec. L'emploi de produits de nettoyage tels que du benzène, du diluant ou des chiffons imprégnés de produits chimiques pourrait causer la décoloration ou l'endommagement de la surface de l'appareil. Si la surface de l'appareil est très encrassée, frottez-la avec un chiffon imbibé de détergent (dilué dans de l'eau) et préalablement soigneusement essoré.
- Ne frottez pas avec force la zone du logo Yamaha, car celui-ci risquerait de se détacher ou des fibres du chiffon pourraient s'accrocher à sa surface.

Panneaux latéraux de fini miroir

Nous vous conseillons d'utiliser un chiffon de nettoyage tel que ceux pour piano. Si la surface est fort encrassée, utilisez un chiffon doux imbibé d'eau et correctement essoré.

Autres surfaces

Nettoyez toutes les autres surfaces de l'appareil avec un chiffon doux et sec. Si la surface de l'appareil est très encrassée, frottez-la avec un chiffon imbibé de détergent dilué dans de l'eau et préalablement soigneusement essoré.

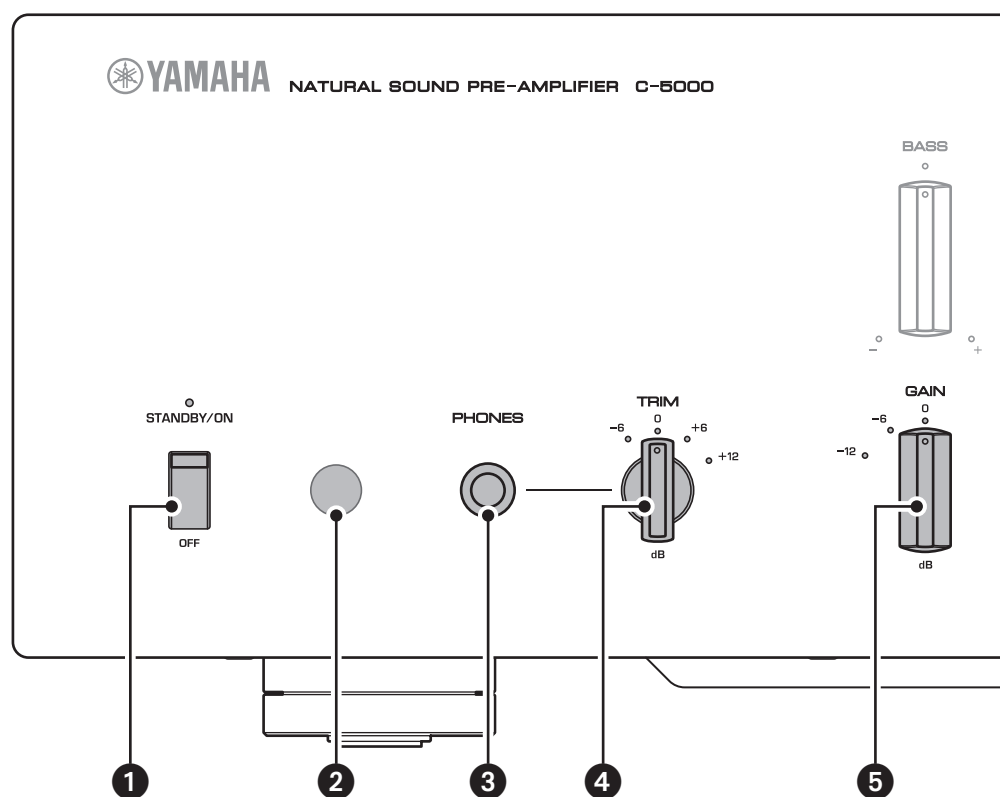


Commandes et fonctions

Cette section décrit les noms et fonctions des éléments équipant les panneaux avant et arrière de l'appareil, ainsi que sa télécommande.


C-5000

Panneau avant



1 Interrupteur/témoin STANDBY/ON/OFF (alimentation)

Permet de mettre l'appareil sous tension (veille) et hors tension.


STANDBY/ON : Permet de mettre l'appareil en veille et sous tension avec la touche  AMP de la télécommande.

OFF : Met l'appareil hors tension.

Statut d'alimentation	Témoin
Mode sous tension	Fortement allumé
Mode veille	Faiblement allumé
Mode hors tension	Éteint

L'appareil entre en mode veille quand vous appuyez sur la touche AMP de la télécommande et dans les cas suivants :

- Quand l'appareil est sous tension mais n'est pas manipulé pendant huit heures lorsque la fonction de mise en veille automatique est active, ou
- quand vous mettez hors tension l'appareil raccordé à la prise TRIGGER IN de cet appareil.

Pour plus d'informations, voyez «  Commutateur AUTO POWER STANDBY » dans la section « Panneau arrière » (page 53) et « Connexions TRIGGER » (page 64).

Note

Après la mise sous tension de l'appareil, celui-ci met quelques secondes à restituer le son.

AVIS

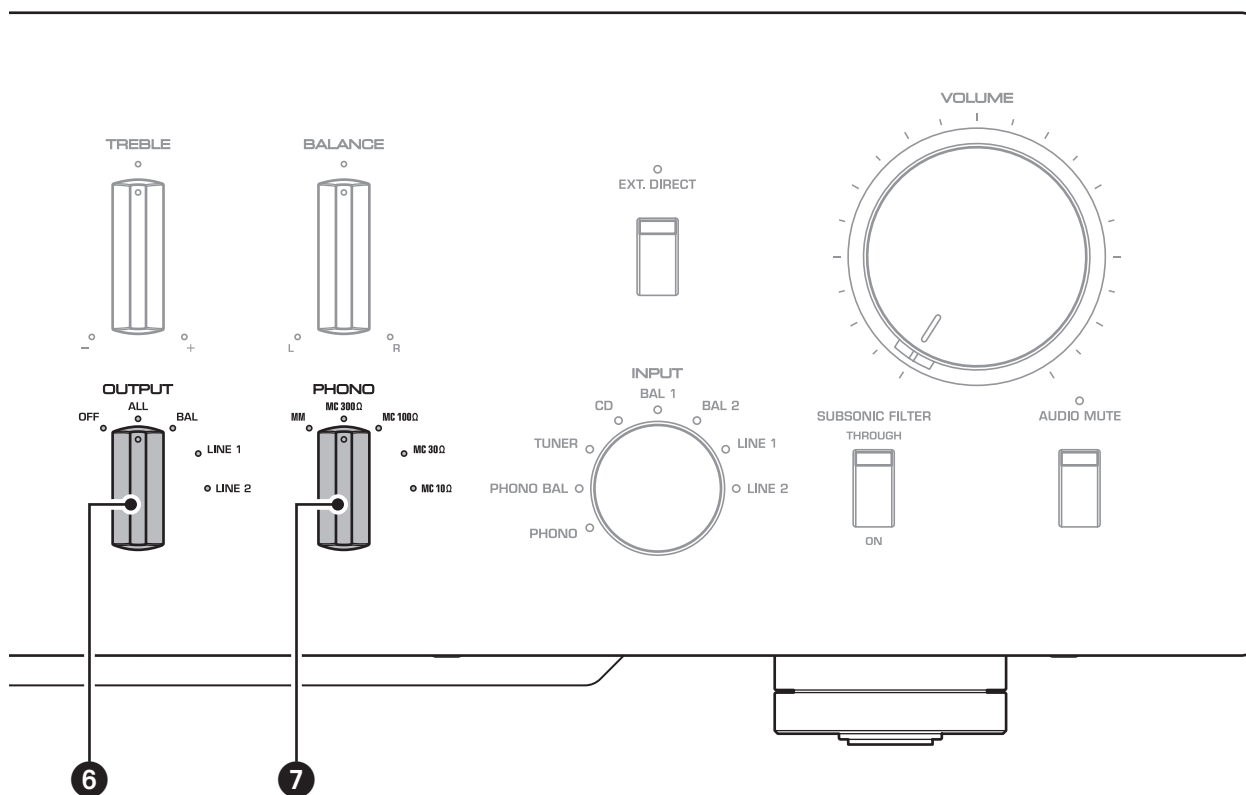
Si vous ne comptez pas utiliser l'appareil pendant une période prolongée, débranchez son cordon d'alimentation de la prise de courant. Même quand l'appareil est mis hors tension avec son commutateur STANDBY/ON/OFF (alimentation), une faible quantité de courant électrique transite toujours dans l'appareil.

2 Capteur de télécommande

Il reçoit les signaux émis par la télécommande. Pour plus d'informations, voyez « Utilisation de la télécommande » (page 58).

3 Prise PHONES

Branchez un casque à cette prise pour écouter de la musique sans déranger votre entourage. Pour plus d'informations, voyez « Connexion d'un casque » (page 72).



4 Sélecteur TRIM

Permet de sélectionner le gain de l'amplificateur de casque. L'unité règle le niveau de volume quand vous branchez un casque pour éviter tout changement de volume brusque en modifiant l'équilibre de niveau entre le signal à la prise PHONES et aux enceintes.

Choix : -6 dB, 0 dB, +6 dB, +12 dB

5 Sélecteur GAIN

Permet de sélectionner le gain du préamplificateur. Vous pouvez ainsi adapter parfaitement l'appareil au gain de l'amplificateur de puissance et à la sensibilité des enceintes, et effectuer des réglages précis de volume. Pour plus d'informations, voyez « Réglage du niveau de volume » (page 70).

Choix : -12 dB, -6 dB, 0 dB

6 Sélecteur OUTPUT

Permet de déterminer quelles prises OUTPUT produisent des signaux comme suit :

Utilisez ce sélecteur lorsque plusieurs amplificateurs de puissance sont raccordés.

	Sélecteur OUTPUT				
	OFF	ALL	BAL	LINE1	LINE2
Prises BAL	—	Signal présent	Signal présent	—	—
Prises LINE 1	—	Signal présent	—	Signal présent	—
Prises LINE 2	—	Signal présent	—	—	Signal présent

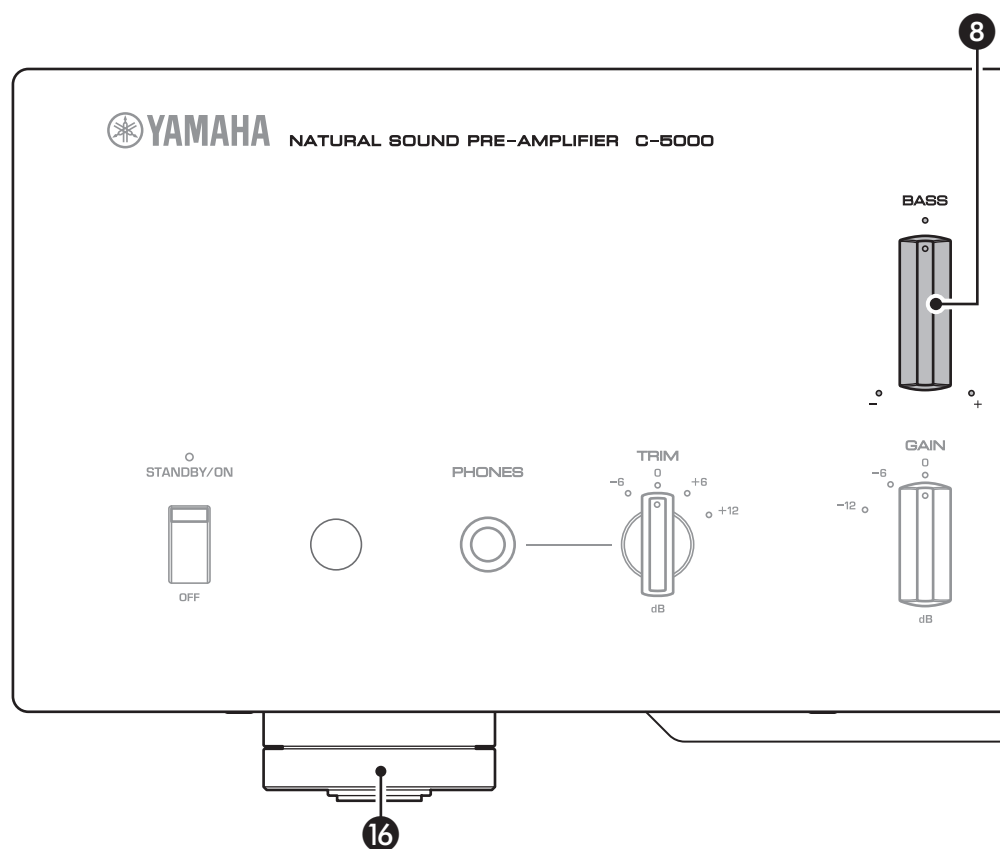
7 Sélecteur PHONO

Permet de spécifier le type de cellule installée sur la platine vinyle raccordée aux prises PHONO du panneau arrière (M, MC 300Ω, MC 100Ω, MC 30Ω, MC 10Ω). Pour plus d'informations, voyez « Réglage du paramètre d'entrée de la platine vinyle » (page 69).

AVIS

Avant de remplacer la cellule, veillez à mettre cet appareil hors tension.

Panneau avant



8 Commande BASS

Règle la réponse du grave sur une plage de -10 dB à $+10$ dB (par pas de $0,5$ dB). La position centrale correspond à une réponse plate.

9 Commande TREBLE

Règle la réponse de l'aigu sur une plage de -10 dB à $+10$ dB (par pas de $0,5$ dB). La position centrale correspond à une réponse plate.

10 Commande BALANCE

Équilibre le niveau de volume des enceintes gauche et droite de L (le signal de la voie droite est inaudible) à R (le signal de la voie gauche est inaudible) pour compenser des différences de niveau causées par l'emplacement des enceintes ou l'acoustique de la pièce d'écoute.

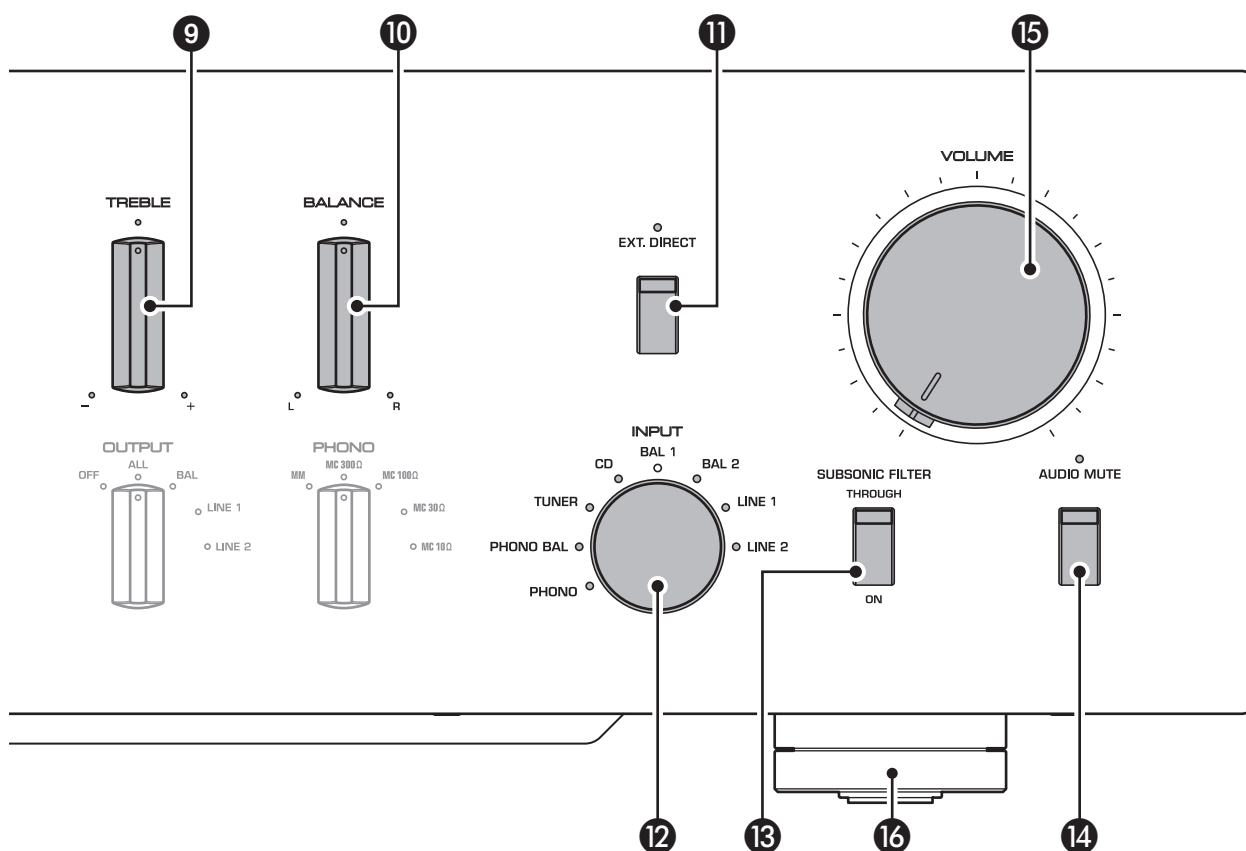
11 Commutateur/témoin EXT. DIRECT

Quand vous appuyez une fois sur le commutateur EXT. DIRECT, le témoin EXT. DIRECT s'allume et le signal de la source d'entrée audio reçu aux prises EXT. IN est transmis aux prises de sortie reliées. Pour plus d'informations, voyez « Connexion d'un autre préamplificateur » (page 63) et « Choix de l'entrée et de la sortie » (page 68).

Quand vous appuyez à nouveau sur le commutateur EXT. DIRECT ou tournez le sélecteur INPUT, le signal choisi avec le sélecteur INPUT est choisi comme source d'entrée et le témoin EXT. DIRECT s'éteint.

Note

Quand EXT. DIRECT est sélectionné, aucun signal n'est restitué via les prises LINE 2 OUT (enregistrement) et la prise PHONES.



12 Sélecteur/Témoin INPUT

Permet de sélectionner la source audio que vous souhaitez lire. Vous pouvez choisir parmi les sources suivantes : **PHONO, PHONO BAL, TUNER, CD, BAL 1, BAL 2, LINE 1 et LINE 2**. Le témoin de la source d'entrée choisie s'allume.

Note

Si vous choisissez la source d'entrée LINE 2 avec ce sélecteur, aucun signal n'est restitué via les prises LINE 2 OUT (enregistrement).

13 Commutateur SUBSONIC FILTER

Bascule entre la position **ON** (activée) et **THROUGH** (désactivée) du filtre subsonique. Pour plus d'informations, voyez « Réglage du paramètre d'entrée de la platine vinyle » (page 69).

Note

Si le sélecteur INPUT est placé sur toute position autre que PHONO ou PHONO BAL, le filtre est désactivé.

14 Commutateur/témoin AUDIO MUTE

Appuyez sur ce commutateur pour réduire le niveau sonore d'environ 20 dB. Le témoin s'allume. Appuyez à nouveau sur ce commutateur pour rétablir le niveau sonore initial. Le témoin s'éteint.

15 Commande VOLUME

Règle le niveau de volume. Ce réglage n'affecte pas le niveau du signal restitué via les prises LINE 2 OUT (enregistrement).

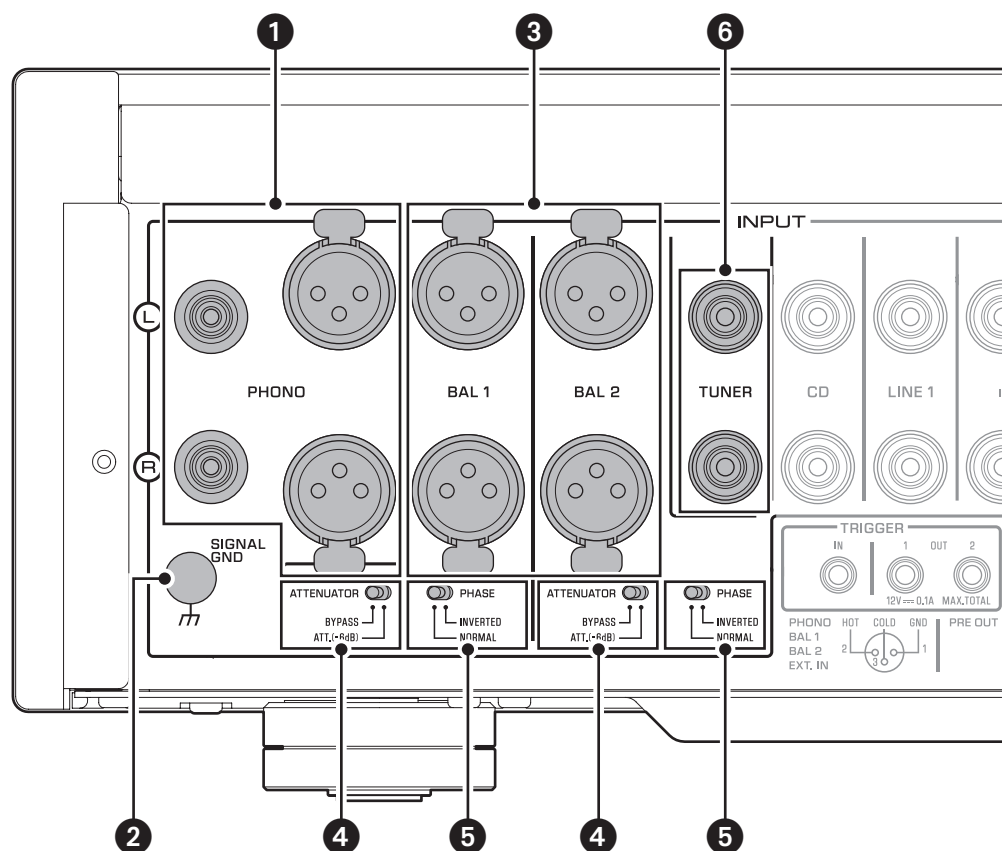
Note

Le réglage de la commande VOLUME n'affecte pas le niveau sonore lorsque EXT. DIRECT est sélectionné comme source d'entrée. Pour régler le volume, utilisez la commande de volume du préamplificateur externe ou d'un autre composant raccordé aux prises EXT. IN.

16 Pieds

Si l'appareil n'est pas stable, ajustez sa hauteur en tournant ses pieds.

Panneau arrière



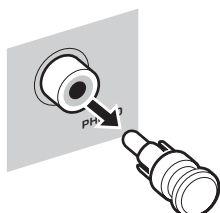
Note

Pour des informations sur la procédure de connexion, voyez « Raccordements » (page 59).

1 Prises PHONO

Prises de types RCA (Cinch) et XLR. Quand le sélecteur INPUT est réglé sur PHONO, la source d'entrée correspond au signal reçu via les prises PHONO RCA (Cinch). Quand le sélecteur INPUT est réglé sur PHONO BAL, la source d'entrée correspond au signal reçu via les prises PHONO XLR.

Ce préamplificateur est fourni avec un capuchon de court-circuitage fixé sur chaque prise d'entrée PHONO RCA (Cinch). Si vous comptez brancher un composant externe à ces prises, retirez les capuchons de court-circuitage. Pour plus d'informations, voyez « Connexion d'une platine vinyle » (page 62).



ATTENTION

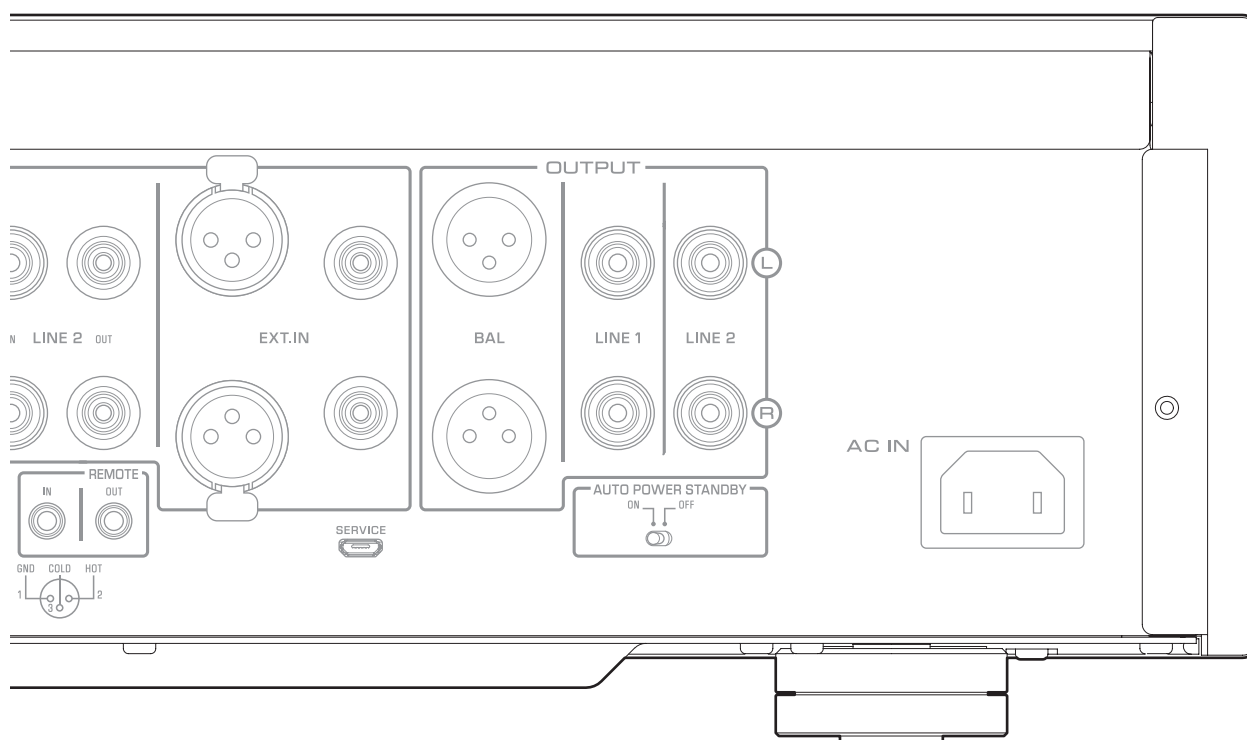
Manipulez les capuchons de court-circuitage avec soin. Ne laissez jamais des enfants jouer avec les capuchons de court-circuitage car cela poserait un risque d'ingestion.

AVIS

- Les capuchons de court-circuitage sont **UNIQUEMENT** destinés aux ENTRÉES inutilisées. Ne les utilisez jamais avec les SORTIES car cela risquerait d'endommager vos appareils.
- Si vous n'utilisez pas les prises d'entrée PHONO de type RCA (Cinch), insérez les capuchons de court-circuitage dans ces prises pour éviter que des parasites ou du bruit aléatoires ne dégradent le signal audio.

2 Borne SIGNAL GND (masse)

Si vous branchez votre platine vinyle aux prises d'entrée PHONO de type RCA (Cinch), raccordez aussi la platine vinyle à cette borne. Cela peut contribuer à réduire le bruit.



3 Prises BAL 1/BAL 2

Il s'agit de deux jeux de prises d'entrée symétrique de type XLR. Quand le sélecteur INPUT est réglé sur BAL 1 ou BAL 2, la source d'entrée correspond au signal reçu via les prises XLR en question.

Note

Réglez le sélecteur ATTENUATOR et le sélecteur PHASE de façon appropriée en fonction des dispositifs de lecture raccordés à cet appareil.

4 Sélecteur ATTENUATOR

Permet de définir le niveau d'entrée admissible du signal reçu aux prises d'entrée XLR symétriques (prises BAL 1 et BAL 2). Pour plus d'informations, voyez « Réglage du niveau de volume » (page 70).

BYPASS : Le niveau d'entrée admissible n'est pas atténué. C'est la position adoptée en temps normal.

ATT. (-6 dB) : Le gain d'entrée est atténué de 6 dB pour permettre la réception d'un signal d'entrée de niveau plus élevé. Choisissez cette position lorsque le signal de la source connectée comporte de la distorsion.

5 Sélecteur PHASE

Permet de définir la position de la broche point CHAUD des prises d'entrée XLR symétriques (prises BAL 1 et BAL 2).

NORMAL : La broche 2 correspond au point CHAUD.

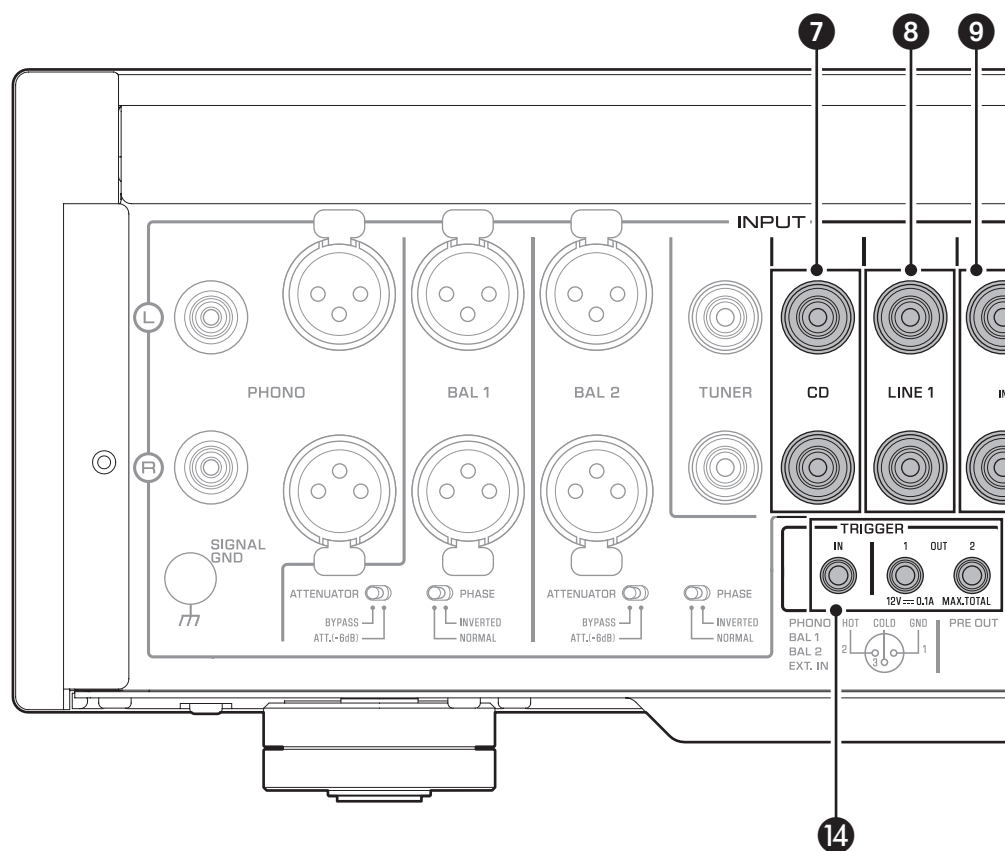
INV. : La broche 3 correspond au point CHAUD.

Pour plus d'informations, voyez « Connexions symétriques et asymétriques » (page 54).

6 Prises TUNER

Il s'agit de prises d'entrée RCA (Cinch). Quand le sélecteur INPUT est réglé sur TUNER, la source d'entrée correspond au signal reçu via ces prises. Branchez votre syntoniseur à ces prises.

Panneau arrière



7 Prises CD

Il s'agit de prises d'entrée RCA (Cinch). Quand le sélecteur INPUT est réglé sur CD, la source d'entrée correspond au signal reçu via ces prises. Branchez votre lecteur CD à ces prises.

8 Prises LINE 1

Il s'agit de prises d'entrée RCA (Cinch). Quand le sélecteur INPUT est réglé sur LINE 1, la source d'entrée correspond au signal reçu via ces prises.

9 Prises LINE 2 IN

Il s'agit de prises d'entrée RCA (Cinch). Quand le sélecteur INPUT est réglé sur LINE 2, la source d'entrée correspond au signal reçu via ces prises.

10 Prises LINE 2 OUT (enregistrement)

Il s'agit de prises d'entrée RCA (Cinch) destinées à l'enregistrement. Ces prises restituent en principe les signaux de la source d'entrée sélectionnée en face avant ou avec la télécommande. Pour des informations sur la procédure de connexion, voyez « Connexion d'un appareil d'enregistrement » (page 62).

Note

- Raccordez les prises LINE 2 IN et LINE 2 OUT (enregistrement) au même composant.
- Les prises LINE 2 OUT (enregistrement) ne restituent aucun signal si le sélecteur INPUT est la position LINE 2 ou le commutateur EXT. DIRECT est enfoncé.

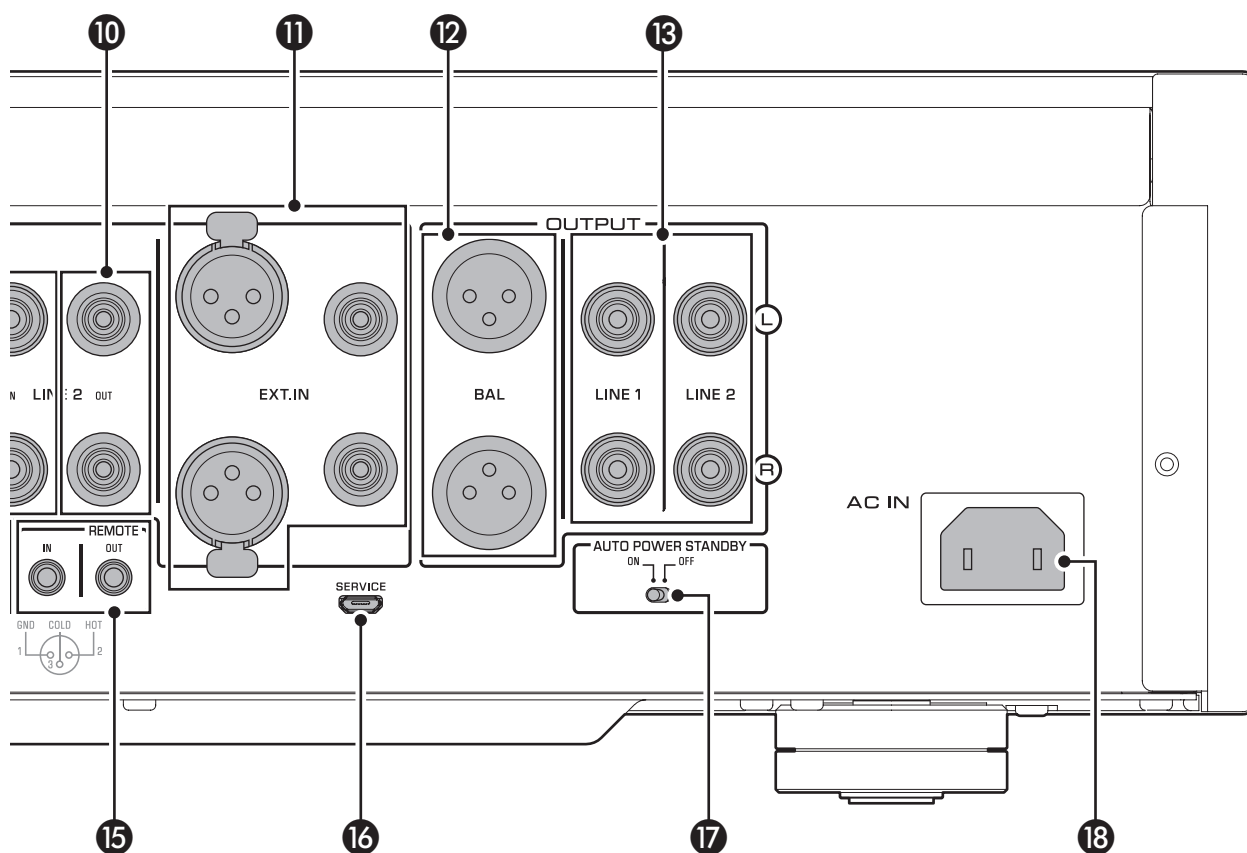
11 Prises EXT.IN

Il s'agit de prises d'entrée de types XLR et RCA (Cinch). Quand le commutateur EXT. DIRECT est enfoncé, la source d'entrée correspond au signal reçu via ces prises. Branchez votre préamplificateur à ces prises. Pour plus d'informations, voyez « Connexion d'un autre préamplificateur » (page 63).



ATTENTION

Vous ne pouvez pas régler le volume des signaux reçus aux prises EXT. IN. Veillez donc à raccorder les prises EXT. IN à un composant comportant une commande de volume.



Note

Le niveau de volume est fixe. En conséquence, les réglages de la commande VOLUME ou du sélecteur GAIN de cet appareil n'influencent pas le niveau de volume du signal reçu aux prises EXT. IN. Réglez le niveau de volume avec la commande de volume du composant raccordé aux prises EXT. IN.

12 Prises BAL

Il s'agit de prises de sortie de type XLR. Raccordez ces prises aux prises d'entrée symétrique de l'amplificateur de puissance.

13 Prises LINE 1/LINE 2

Il s'agit de prises de sortie RCA (Cinch). Raccordez ces prises aux prises d'entrée RCA (Cinch) de l'amplificateur de puissance.

14 Prises TRIGGER IN/TRIGGER OUT

Il s'agit de prises minijack mono. Branchez à ces prises des composants externes compatibles avec la fonction de déclenchement (Trigger). Pour plus d'informations, voyez « Connexions TRIGGER » (page 64).

15 Prises REMOTE IN/REMOTE OUT

Il s'agit de prises minijack mono. Branchez à ces prises des composants externes compatibles avec la fonction de commande à distance. Pour plus d'informations, voyez « Connexions à distance » (page 65).

16 Prise SERVICE

Cette prise est utilisée pour l'entretien de l'appareil. Elle est rarement utilisée.

17 Commutateur AUTO POWER STANDBY

Détermine si la fonction de mise en veille automatique de l'appareil est active ou non.

ON : L'appareil entre automatiquement en mode veille s'il est sous tension mais n'est pas manipulé pendant huit heures.

OFF : L'appareil n'entre pas automatiquement en mode veille.

18 Prise AC IN

Branchez le cordon d'alimentation fourni à cette prise. Pour plus d'informations, voyez « Raccordement du cordon d'alimentation » (page 66).

Connexions symétriques et asymétriques

Cet appareil est doté de prises d'entrée symétrique de type XLR et asymétrique de type RCA (Cinch).

Note

N'utilisez pas simultanément une connexion symétrique et une connexion asymétrique entre deux appareils. Cela génère une boucle de masse susceptible de causer des interférences et du bruit.

Connexion symétrique

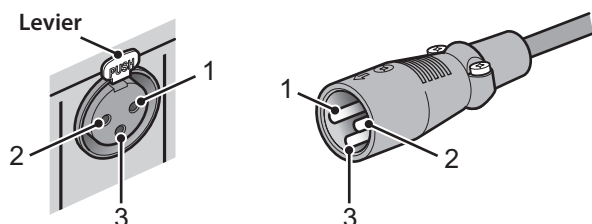
Les connexions symétriques sont conçues pour supprimer et prévenir tout bruit indésirable. Vu que les câbles relativement longs ont tendance à générer davantage de bruit, il est conseillé d'utiliser une connexion symétrique pour connecter ce type de câbles. De manière générale, si vos composants sont dotés de sorties symétriques, il est conseillé de les raccorder via une connexion symétrique.

Prises de connexion symétrique

Les prises de type XLR de cet appareil sont utilisées pour des connexions symétriques. Les prises d'entrée et de sortie sont différentes. Les prises d'entrée sont femelles et les prises de sortie mâles. Pour effectuer des connexions symétriques, on utilise des câbles symétriques à fiches XLR. Raccordez la fiche mâle du câble à une prise femelle de l'appareil et sa fiche femelle à une prise mâle de l'appareil.

Prise XLR (femelle)

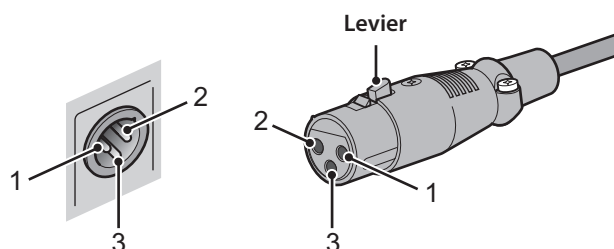
Fiche XLR (mâle)



Pour brancher un câble à une prise d'entrée, alignez les broches de la fiche avec les orifices de la prise, puis insérez la fiche dans la prise jusqu'à ce que vous entendiez un déclic. Pour débrancher le câble, appuyez sur le levier de la prise d'entrée de l'appareil tout en tirant la fiche XLR mâle du câble hors de la prise.

Prise XLR (mâle)

Fiche XLR (femelle)



Pour brancher un câble à une prise de sortie, alignez les orifices de la fiche avec les broches de la prise, puis insérez la fiche dans la prise jusqu'à ce que vous entendiez un déclic. Pour débrancher le câble, appuyez sur le levier de la prise XLR femelle tout en tirant la fiche du câble XLR hors de la prise.

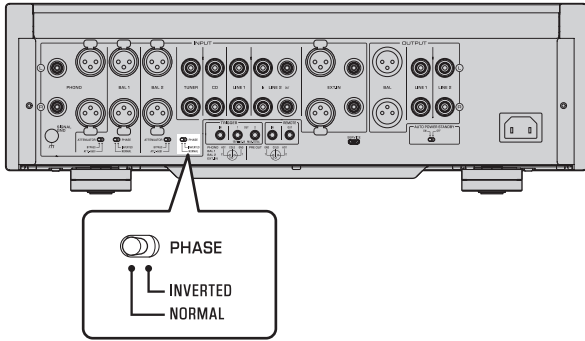
Polarité de connexion symétrique

Dans le cas d'une connexion symétrique, il est impératif de régler correctement la polarité. En général, la broche 2 correspond au point chaud, mais dans certains cas c'est la broche 3. Vérifiez quelle broche correspond au point chaud sur la prise de sortie dans le mode d'emploi du composant raccordé.

Réglez la polarité des prises d'entrée BAL 1 et BAL 2 avec le sélecteur PHASE du panneau arrière.

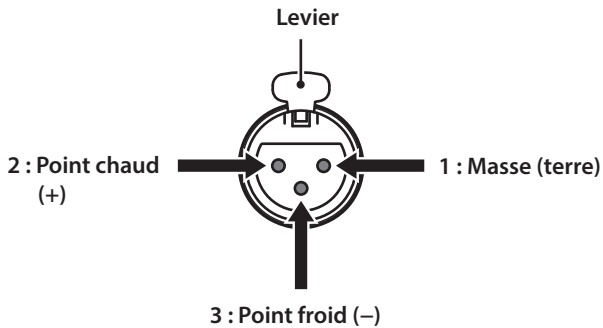
Note

- Les prises PHONO et EXT. IN ne comportent pas de sélecteur PHASE. Les broches de ces prises ont une polarité conventionnelle et fixe.
- La broche 2 correspond au point chaud sur les lecteurs Yamaha.



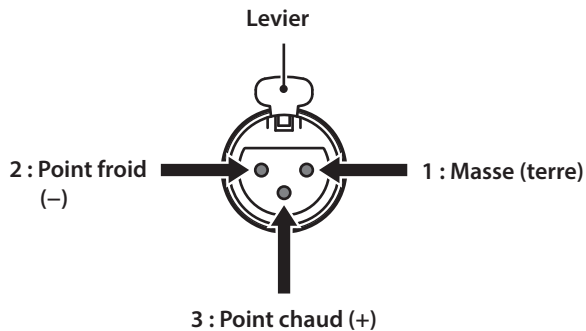
Quand le sélecteur PHASE est sur la position NORMAL, la broche 2 correspond au point chaud.

Prise d'entrée de type XLR

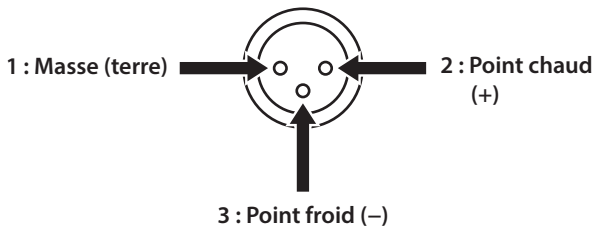


Quand le sélecteur PHASE est sur la position INVERTED, la broche 3 correspond au point chaud.

Prise d'entrée de type XLR

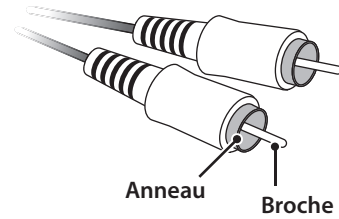


Prise de sortie de type XLR

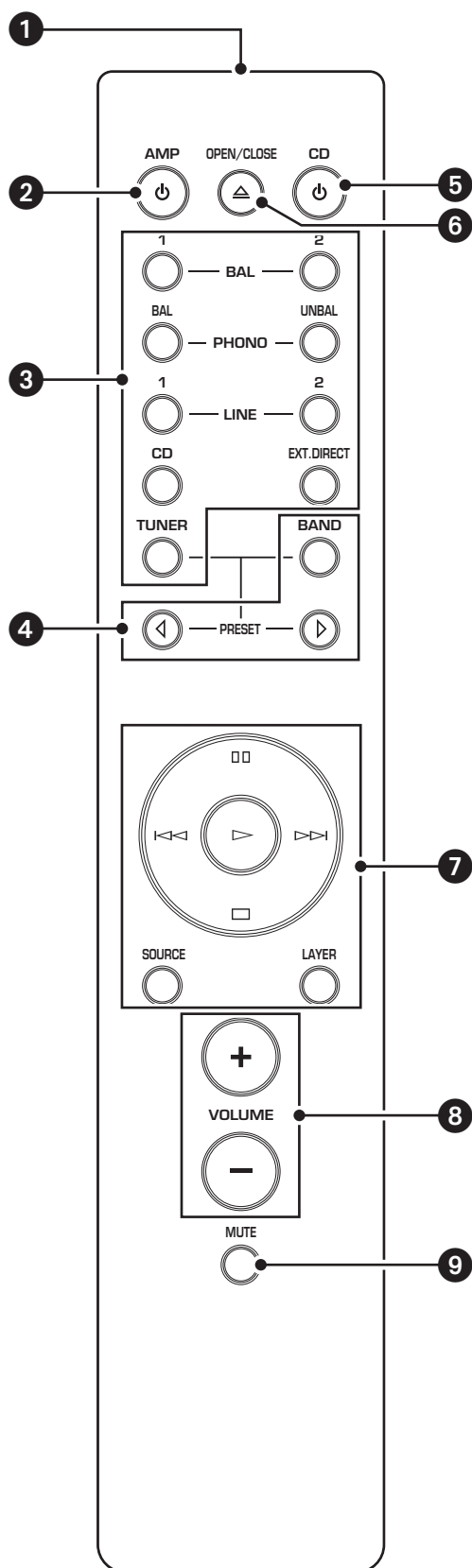


Connexion asymétrique

Si vous raccordez un composant audio uniquement doté de prises standard RCA (Cinch), utilisez les prises RCA de cet appareil pour effectuer une connexion asymétrique. Pour effectuer des connexions asymétriques, on utilise des câbles asymétriques à fiches RCA (Cinch). Ces fiches et prises ne présentent pas de différence mâle/femelle ni de différence de polarité.



Télécommande



1 Émetteur de signal infrarouge

Transmet des signaux infrarouges de commande à l'appareil.

2 Touche AMP

Met l'appareil sous tension ou le bascule en mode veille. Pour plus d'informations sur le mode veille, voyez « Panneau avant » (page 46).

3 Touches de sélection d'entrée

Permettent de sélectionner la source audio à lire.

BAL : Sélectionne le composant raccordé aux prises XLR BAL 1 ou BAL 2 comme source d'entrée.

PHONO : Sélectionne la platine vinyle raccordée aux prises PHONO (XLR ou RCA) comme source d'entrée. Appuyez sur la touche BAL pour sélectionner la source raccordée aux prises XLR ou sur la touche UNBAL pour sélectionner la source raccordée aux prises RCA (Cinch).

LINE : Sélectionne le composant raccordé aux prises RCA (Cinch) LINE 1 ou LINE 2 comme source d'entrée.

EXT. DIRECT : Sélectionne le composant branché aux prises EXT. IN comme source d'entrée. Quand EXT. DIRECT est sélectionné comme source d'entrée, les signaux audio ne sont pas transmis aux prises LINE 2 OUT et PHONES.



CD : Sélectionne le composant (généralement un lecteur CD) raccordé aux prises RCA (Cinch) CD comme source d'entrée.

TUNER : Sélectionne le composant (généralement un syntoniseur) raccordé aux prises RCA (Cinch) TUNER comme source d'entrée.

Note

Les signaux audio de la source d'entrée sélectionnée sont restitués via les prises LINE 2 OUT (enregistrement). Si LINE 2 est sélectionné comme source d'entrée, aucun signal n'est restitué via les prises LINE 2 OUT (enregistrement).

4 Touches de commande du syntoniseur

Permettent de commander les fonctions du syntoniseur Yamaha raccordé. La touche BAND sert à choisir la bande de réception et les touches PRESET   une présélection. Pour plus d'informations, consultez le mode d'emploi de votre syntoniseur.

Note

Il se pourrait que certains modèles de syntoniseur Yamaha ne prennent pas en charge les fonctions de ces touches.



5 Touche CD

Met le lecteur CD Yamaha raccordé sous tension ou le bascule en mode veille.

6 Touche OPEN/CLOSE

Ouvre ou ferme le tiroir du lecteur CD Yamaha raccordé. Pour plus d'informations, consultez le mode d'emploi de votre lecteur CD.

Note

Il se pourrait que certains modèles de lecteur CD Yamaha ne prennent pas en charge les fonctions de la touche  CD et/ou la touche  OPEN/CLOSE.

7 Touches de commande du lecteur de CD

Permettent de commander les fonctions du lecteur CD Yamaha raccordé. Pour plus d'informations, consultez le mode d'emploi de votre lecteur CD.

(Lecture)

Démarre la lecture.

(Pause)

Met la lecture en pause. Appuyez sur  ou  pour poursuivre la lecture.

(Arrêt)

Arrête la lecture.

(Saut de plage)

Passes à la plage suivante ou retourne au début de la plage actuelle.

Touche SOURCE

Sélectionne la source à lire sur le lecteur CD Yamaha. La source de lecture change à chaque pression de cette touche.

Touche LAYER

Commute la couche de lecture d'un CD Super Audio hybride entre « Super audio CD » et « CD ».

Note

Il se pourrait que certains modèles de lecteur CD Yamaha ne prennent pas en charge les fonctions de ces touches.

8 Touches VOLUME +/-

Règlent le niveau de volume.

Note

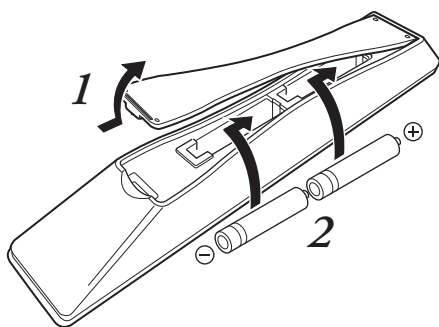
Les touches VOLUME +/- de la télécommande n'affectent pas le niveau de volume lorsque EXT. DIRECT est sélectionné comme source d'entrée. Pour régler le volume, utilisez la commande de volume de l'amplificateur externe raccordé aux prises EXT. IN.

9 Touche MUTE

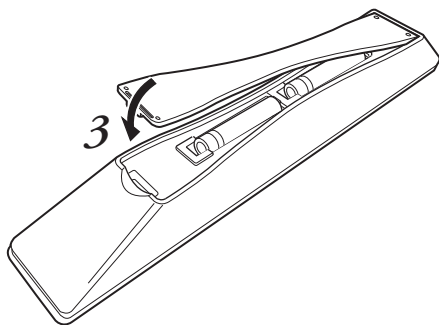
Réduit le niveau sonore actuel d'environ 20 dB. Appuyez à nouveau sur cette touche pour rétablir le niveau sonore initial. Vous pouvez aussi annuler la réduction du niveau sonore en appuyant sur la touche VOLUME + ou - de la télécommande.

Mise en place des piles dans la télécommande

- 1 Retirez le couvercle du logement des piles.
- 2 Insérez deux piles (AAA, R03, UM-4) en suivant les repères de polarité (+ et -) à l'intérieur du logement des piles.



- 3 Remplacez le couvercle du logement des piles.



AVERTISSEMENT

- Ne jetez pas des piles dans un feu ouvert et ne les exposez pas à des températures élevées, comme en plein soleil ou à proximité d'une flamme nue. Sinon, les piles risquent d'exploser et de causer un incendie ou des blessures.
- N'essayez jamais de recharger des piles non rechargeables. Sinon, les piles risqueraient d'exploser ou de fuir, causant la cécité, des brûlures chimiques ou des blessures.
- Si une pile fuit, ne touchez jamais le liquide. Sinon, cela pourrait causer la cécité ou des brûlures chimiques. Si les yeux, la bouche ou la peau entre en contact avec le liquide fuyant des piles, rincez immédiatement et abondamment à l'eau et consultez un médecin.

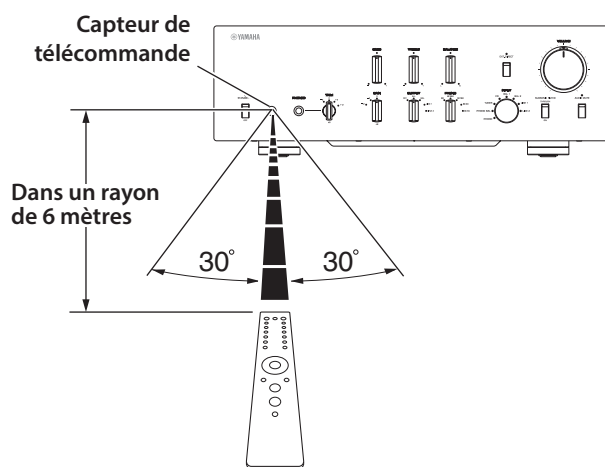


ATTENTION

- Ne mélangez pas des piles neuves et des piles usagées. Sinon, cela pourrait causer un incendie, des brûlures ou une irritation cutanée due au contact avec le liquide fuyant des piles.
- Ne mélangez pas différents types de piles. Ainsi, par exemple, si vous utilisez simultanément une pile au manganèse et une pile alcaline, ou deux piles de fabricants différents ou encore de numéros de produit différents, cela pourrait causer un incendie, des brûlures ou une irritation cutanée due au contact avec le liquide fuyant des piles.
- Conservez les piles hors de portée des enfants. Sinon, un enfant risquerait d'avaler accidentellement une pile. En outre, le liquide fuyant des piles pourrait causer une irritation cutanée.
- Insérez les deux piles en respectant les indications de polarité (+ et -). Sinon, cela pourrait causer un incendie, des brûlures ou une irritation cutanée due au contact avec le liquide fuyant des piles.
- Si vous ne comptez pas utiliser la télécommande pendant une période prolongée ou si les piles sont complètement plates, retirez-les de la télécommande. Sinon, les piles finiront par s'épuiser complètement et risqueront de fuir en causant une irritation cutanée ou un endommagement de la télécommande.

Utilisation de la télécommande

Pour utiliser la télécommande, pointez-la directement vers le capteur de télécommande sur le panneau avant de l'appareil.



Raccordements

Cette section décrit la connexion de l'appareil à une source audio comme un lecteur CD, ainsi qu'à un amplificateur de puissance.

**ATTENTION**

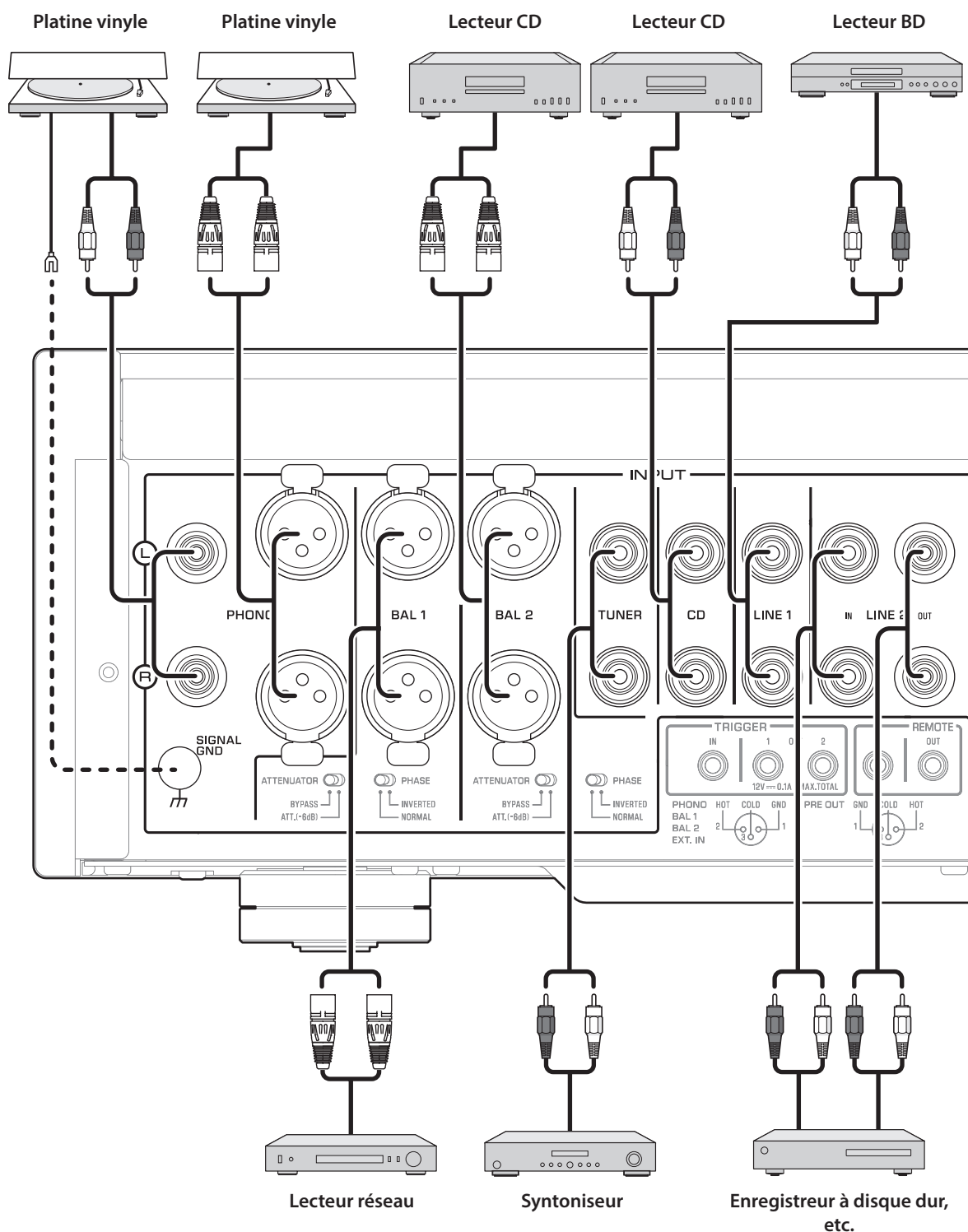
Mettez tous les appareils hors tension avant d'effectuer toute connexion.

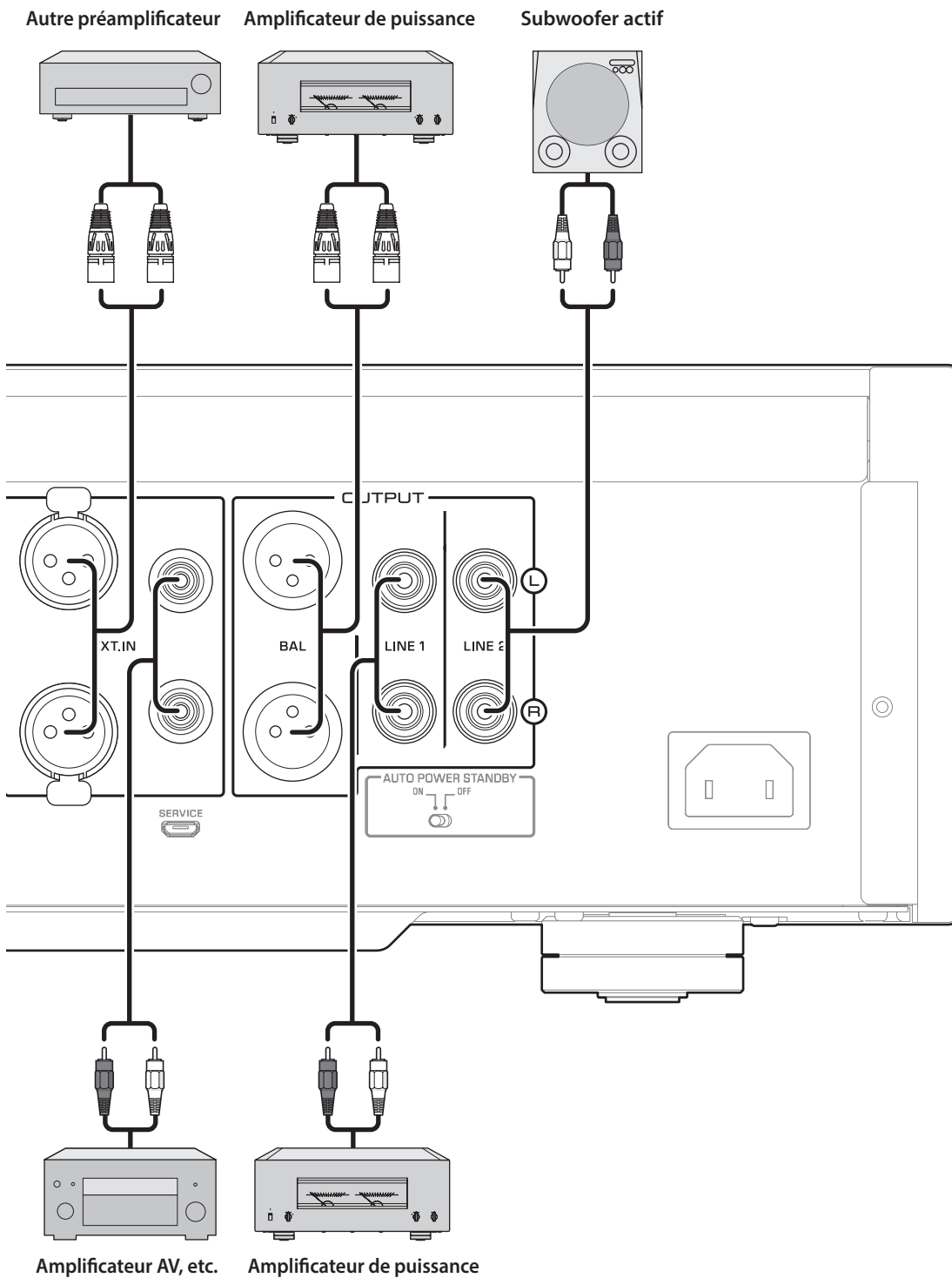
AVIS

- N'utilisez pas simultanément une connexion symétrique et une connexion asymétrique entre deux appareils. Cela génère une boucle de masse susceptible de causer des interférences et du bruit.
- Si vous comptez brancher des appareils externes, lisez au préalable les manuels de ces appareils et suivez leurs consignes. Sinon, vous risquez un dysfonctionnement de cet appareil ou des composants externes.

C-5000

Connexion d'un composant externe





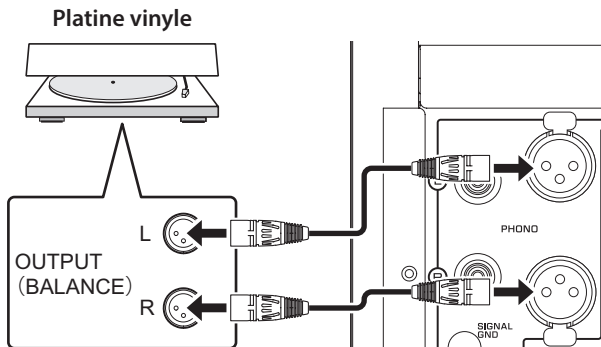
AVIS

N'utilisez pas simultanément une connexion symétrique et une connexion asymétrique entre deux appareils. Cela génère une boucle de masse susceptible de causer des interférences et du bruit.

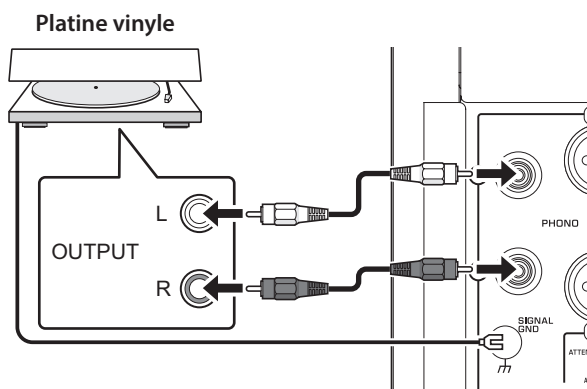
Connexion d'une platine vinyle

Branchez la platine vinyle aux prises PHONO de cet appareil. Cet appareil est doté de prises d'entrée symétrique de type XLR et asymétrique de type RCA (Cinch).

Connexion symétrique



Connexion asymétrique



Note

Si vous raccordez la platine vinyle aux prises RCA (Cinch) de cet appareil, faites un test et comparez le son obtenu avec la borne SIGNAL GND (de masse) raccordée et non raccordée, et choisissez la méthode de connexion offrant le moins de bruit.

AVIS

N'utilisez pas simultanément une connexion symétrique et une connexion asymétrique entre cet appareil et la platine vinyle. Cela génère une boucle de masse susceptible de causer des interférences et du bruit.

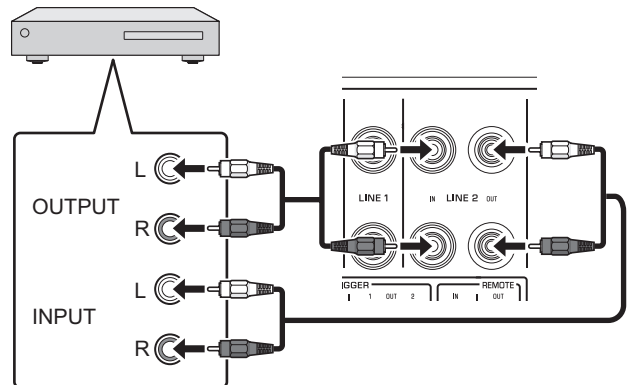
Connexion d'un appareil d'enregistrement

Vous pouvez raccorder un appareil d'enregistrement comme un enregistreur à disque dur à cet appareil pour capturer le signal reçu d'une source externe. Raccordez l'appareil d'enregistrement aux prises LINE 2 IN et LINE 2 OUT (enregistrement).

Note

- Veillez à raccorder les prises LINE 2 IN et LINE 2 OUT (enregistrement) au même composant.
- Le signal restitué aux prises LINE 2 OUT (enregistrement) est quasi identique au signal aux prises de sortie choisies avec le sélecteur OUTPUT. Quand le sélecteur INPUT est réglé sur LINE 2, aucun signal n'est restitué par les prises LINE 2 OUT (enregistrement).

Enregistreur à disque dur, etc.



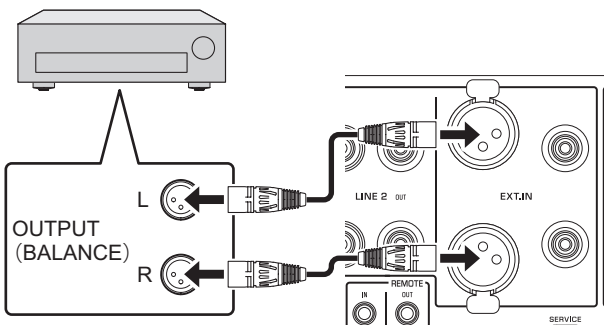
Connexion d'un autre préamplificateur

Si vous raccordez la sortie d'un autre préamplificateur aux prises EXT. IN de cet appareil et appuyez sur le commutateur EXT. DIRECT, le signal de la source transite par cet appareil et est transmis à l'amplificateur de puissance raccordé. Le signal de la source reçu aux prises symétriques EXT. IN est transmis aux prises symétriques BAL. Le signal de la source reçu aux prises asymétriques EXT. IN est transmis aux prises LINE 1 et LINE 2.

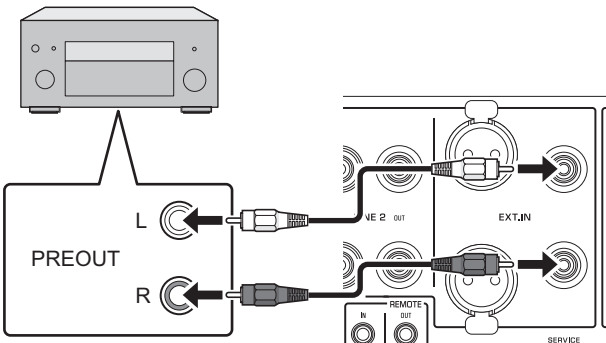
Note

Quand le commutateur EXT. DIRECT est actif, aucun signal n'est présent à la prise PHONES et vous n'entendez donc rien dans le casque connecté.

Autre préamplificateur



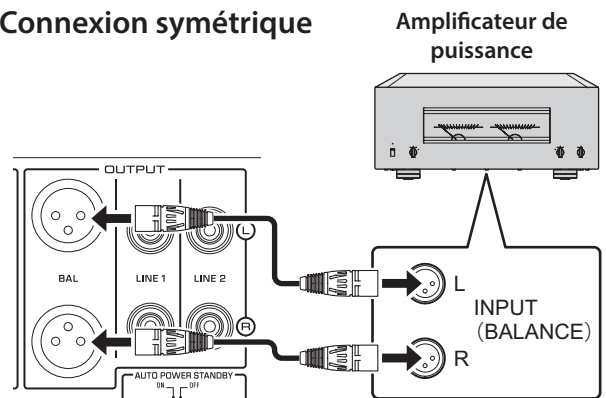
Amplificateur AV, etc.



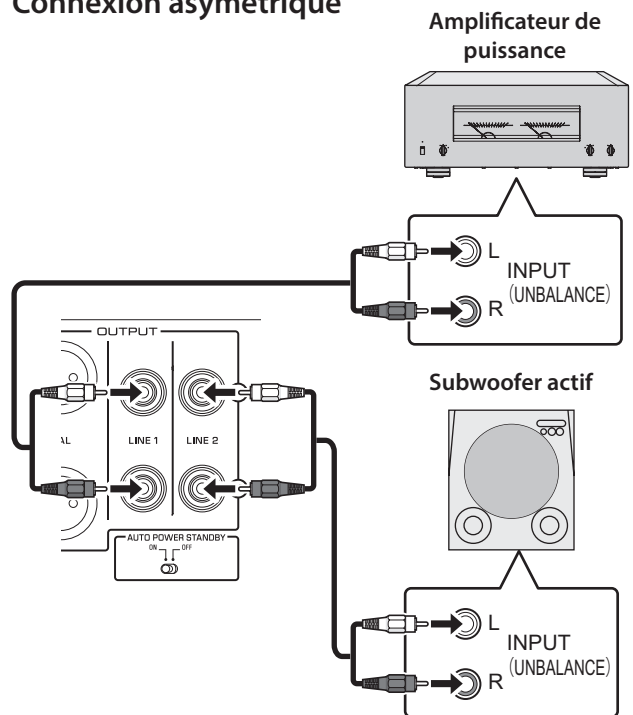
Connexion d'un amplificateur de puissance et d'un subwoofer actif

Vous pouvez raccorder un amplificateur de puissance et un subwoofer actif (amplifié) aux prises de sortie BAL, LINE 1 ou LINE 2 de l'appareil.

Connexion symétrique



Connexion asymétrique



AVIS

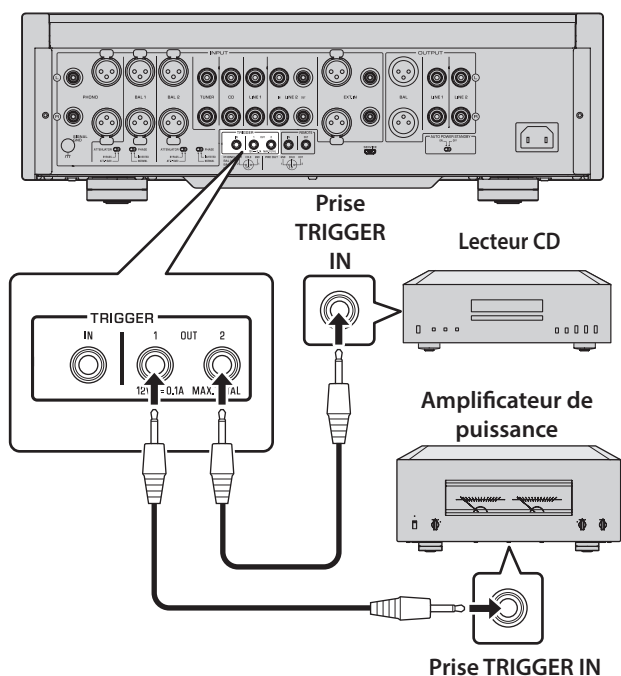
N'utilisez pas simultanément une connexion symétrique et une connexion asymétrique entre deux appareils. Cela génère une boucle de masse susceptible de causer des interférences et du bruit.

Connexions TRIGGER

Mise sous tension/hors tension synchronisée d'un composant comme un amplificateur de puissance connecté à cet appareil

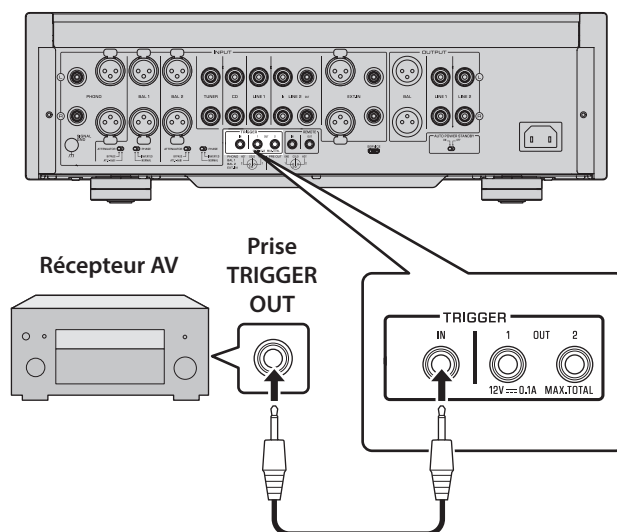
Cette fonction permet de mettre sous tension et hors tension un composant Yamaha comme un lecteur CD ou amplificateur de puissance connecté à cet appareil en même temps que ce dernier.

Raccordez la prise TRIGGER OUT de cet appareil à la prise TRIGGER IN du composant raccordé avec un câble système.



Commande de la mise sous tension et hors tension de cet appareil depuis un composant connecté, tel qu'un récepteur AV

Vous pouvez commander la mise sous tension et hors tension de cet appareil depuis un composant connecté, tel qu'un récepteur AV Yamaha. Raccordez la prise TRIGGER IN de cet appareil à la prise TRIGGER OUT du composant raccordé avec un câble système en option. Quand cet appareil est en veille, la mise sous tension du composant connecté met aussi cet appareil sous tension, et le signal reçu aux prises EXT. IN est sélectionné comme source d'entrée. Quand le composant connecté est mis hors tension, cet appareil entre en veille.



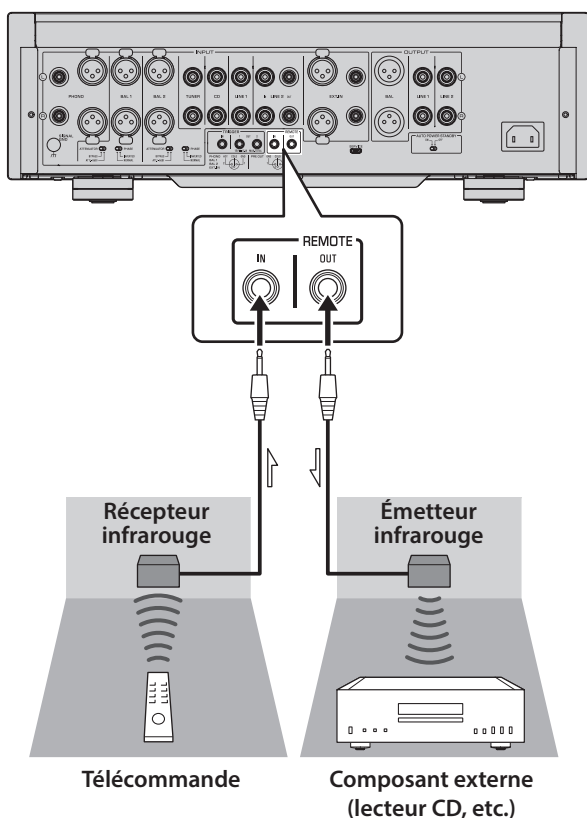
Note

- Si l'interrupteur d'alimentation de cet appareil est en position OFF, la commande à distance de l'alimentation depuis un composant connecté n'est pas possible.
- Si la source d'entrée n'est pas sélectionnée avec le commutateur EXT. DIRECT, la mise hors tension du composant connecté ne permet pas de mettre cet appareil hors tension.

Connexions à distance

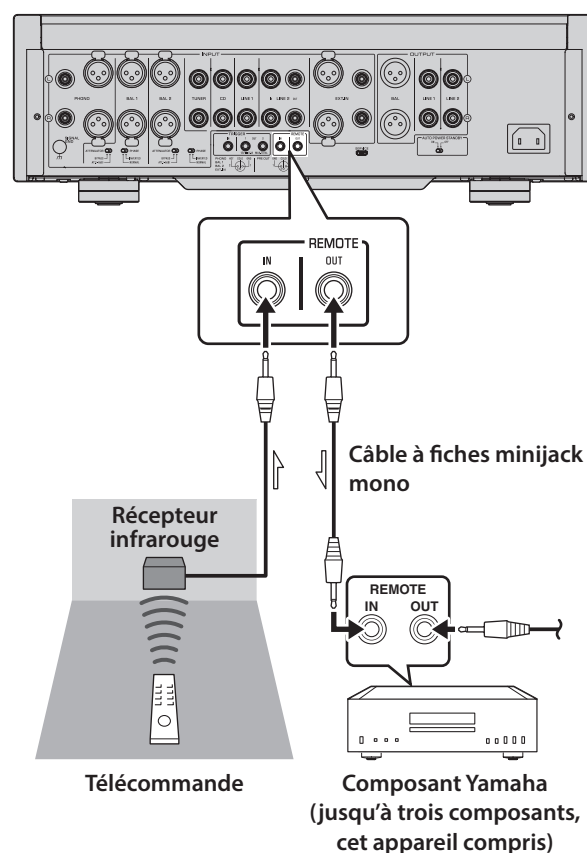
Commande de cet appareil depuis une autre pièce

Si vous branchez un récepteur et un émetteur infrarouge aux prises REMOTE IN/OUT de cet appareil, vous pouvez utiliser l'appareil et/ou le composant externe à l'aide du boîtier de télécommande fourni.



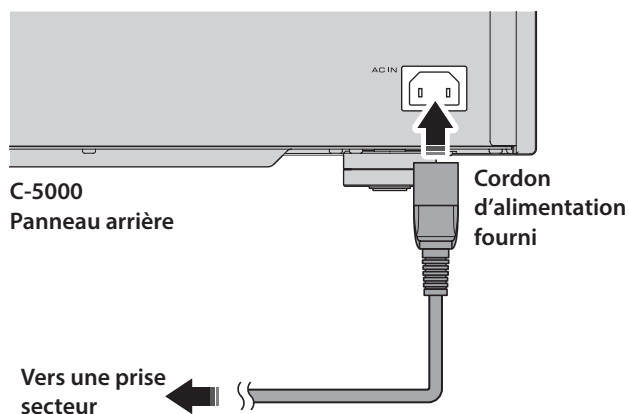
Connexion à distance entre les composants Yamaha

Lorsque vous avez un autre composant Yamaha prenant en charge la connexion à distance, comme c'est le cas pour cet appareil, un émetteur infrarouge est inutile. Vous pouvez transmettre les signaux de connexion à distance en raccordant un récepteur infrarouge à la prise REMOTE IN de l'appareil et en reliant la prise REMOTE IN de l'autre composant à la prise REMOTE OUT de cet appareil avec des câbles minijack mono. Vous pouvez relier jusqu'à trois composants Yamaha (y compris cet appareil) avec la connexion à distance.



Raccordement du cordon d'alimentation

Quand toutes les connexions sont terminées, vérifiez que l'interrupteur STANDBY/ON/OFF (alimentation) est sur OFF, puis raccordez le cordon d'alimentation à la prise AC IN de l'appareil et la fiche secteur du cordon à une prise de courant.



AVERTISSEMENT

- Si vous Notez une des anomalies suivantes, mettez immédiatement l'appareil hors tension et débranchez son cordon d'alimentation de la prise de courant.
 - Le cordon d'alimentation ou sa fiche est endommagé.
 - L'appareil émet une odeur, un bruit anormal ou de la fumée.
 - Du liquide ou des objets ont pénétré à l'intérieur de l'appareil.
 - Le son est brusquement coupé durant le fonctionnement de l'appareil.
 - Le châssis de l'appareil est fissuré ou endommagé.

Si vous continuez d'utiliser l'appareil quand il présente un de ces symptômes, cela pourrait causer un choc électrique, un incendie ou un dysfonctionnement. Contactez le revendeur ou SAV Yamaha le plus proche pour faire vérifier ou réparer l'appareil.

- Ne touchez jamais le cordon d'alimentation ni sa fiche durant un orage. Sinon, vous risqueriez d'être électrocuté.
- Veillez à brancher l'appareil à une prise de courant fournissant la tension correcte mentionnée sur l'appareil. La connexion de l'appareil à une prise de courant de tension inappropriée peut causer un incendie, un choc électrique ou un dysfonctionnement.
- Utilisez uniquement le cordon d'alimentation fourni. N'utilisez pas le cordon d'alimentation fourni avec d'autres appareils. Sinon, cela pourrait causer un incendie, des brûlures ou un dysfonctionnement.
- Branchez l'appareil à une prise de courant visible et facile d'accès, de sorte à pouvoir débrancher l'appareil rapidement et facilement en cas d'urgence. À moins que vous ne débranchiez l'appareil du secteur, une faible quantité de courant électrique transite toujours dans l'appareil quand il est hors tension.

- En cas de risque d'orage, mettez immédiatement l'appareil hors tension et débranchez son cordon d'alimentation de la prise de courant. Sinon, cela pourrait causer un incendie ou un dysfonctionnement.
- Si vous ne comptez pas utiliser l'appareil pendant une période prolongée, débranchez son cordon d'alimentation de la prise de courant. Sinon, cela pourrait causer un incendie ou un dysfonctionnement.



ATTENTION

- N'utilisez pas de prise de courant ne permettant pas de brancher fermement la fiche du cordon d'alimentation. Sinon, cela pourrait causer un incendie, un choc électrique ou des brûlures.
- Saisissez toujours la fiche du cordon d'alimentation pour le débrancher de la prise de courant ; ne tirez jamais sur le cordon. Sinon, vous risquez d'endommager le cordon d'alimentation, ce qui pourrait causer un choc électrique ou un incendie.
- Insérez la fiche du cordon d'alimentation fermement et jusqu'au bout dans la prise de courant. Si la fiche n'est pas insérée à fond dans la prise de courant, l'utilisation de l'appareil pourrait causer un choc électrique. En outre, de la poussière pourrait s'accumuler sur la fiche et poser un risque d'incendie ou de brûlures.

AVIS

Si vous ne comptez pas utiliser l'appareil pendant une période prolongée, débranchez son cordon d'alimentation de la prise de courant. Même quand l'appareil est mis hors tension avec son interrupteur STANDBY/ON/OFF (le témoin d'alimentation est éteint), une faible quantité de courant électrique transite toujours dans l'appareil.

Utilisation des fonctions de l'appareil

Cette section décrit les manipulations de base de l'appareil.
Suivez ces procédures pour découvrir les fonctions de cet appareil.
Ces procédures sont uniquement fournies à titre d'exemple.

C-5000

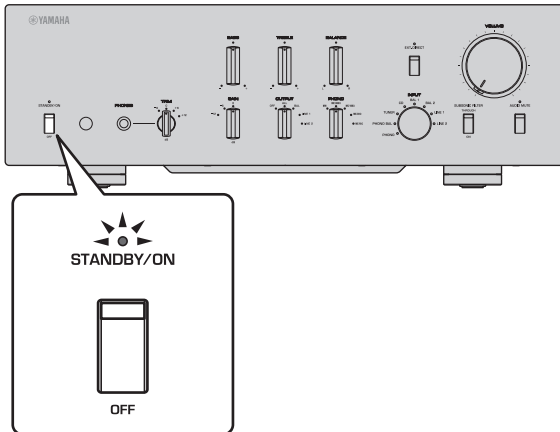
Mise sous tension



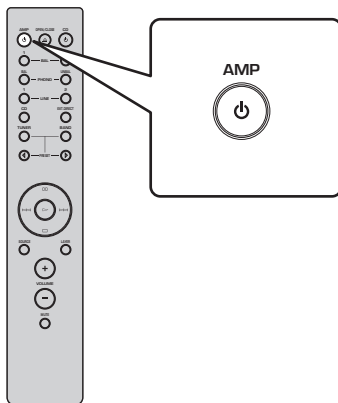
ATTENTION

Veillez à régler le volume sur le minimum avant de mettre l'appareil sous tension.

Mettez l'appareil sous tension en réglant son interrupteur **STANDBY/ON/OFF** (alimentation) en face avant sur **STANDBY/ON**.



Quand l'appareil est en veille, vous pouvez aussi le mettre sous tension avec la télécommande.



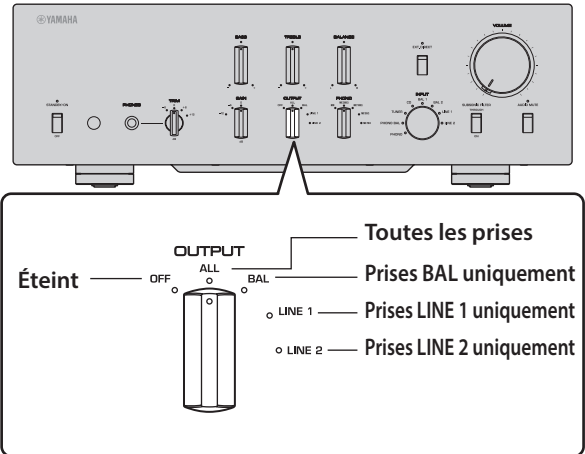
AVIS

Mettez les appareils sous tension dans l'ordre suivant : amplificateur de puissance, préamplificateur (cet appareil), autres composants (comme un lecteur CD et un syntoniseur).

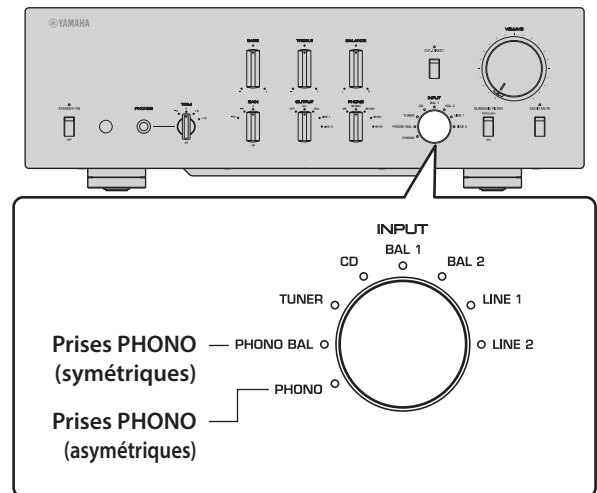
Inversez cet ordre pour la mise hors tension.

Choix de l'entrée et de la sortie

Sélectionnez une paire de prises de sortie avec le sélecteur **OUTPUT**.

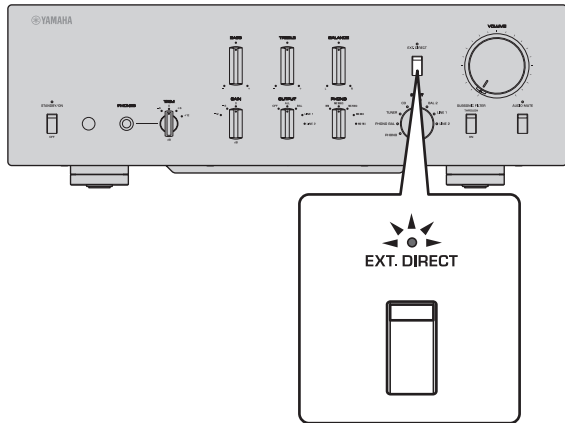


Sélectionnez la source audio avec le sélecteur **INPUT**.



Les témoins correspondants s'allument.

Choix du signal reçu aux prises EXT.IN



Appuyez sur le commutateur EXT. DIRECT. Le témoin EXT. DIRECT s'allume. La fonction du sélecteur INPUT est désactivée et le signal de la source audio reçue aux prises EXT. IN est transmis à une paire de prises de sortie. Le signal de la source audio reçu aux prises d'entrée symétrique est restitué aux prises de sortie BAL symétrique. Le signal de la source audio reçu aux prises d'entrée LINE est restitué aux prises de sortie LINE 1 et LINE 2.

Quand vous appuyez à nouveau sur le commutateur EXT. DIRECT ou tournez le sélecteur INPUT, le signal choisi avec le sélecteur INPUT est sélectionné comme source d'entrée. Le témoin EXT. DIRECT s'éteint.

Note

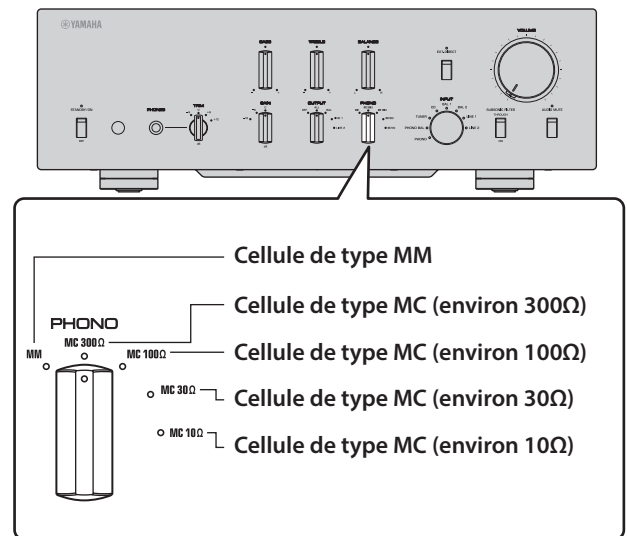
Quand EXT. DIRECT est sélectionné, aucun signal n'est restitué via les prises LINE 2 OUT (enregistrement) et la prise PHONES.

Réglage du paramètre d'entrée de la platine vinyle

Sélecteur PHONO

Réglez le sélecteur PHONO en fonction du type de cellule de votre platine vinyle.

Types de cellules prises en charge



ATTENTION

Si votre platine vinyle comporte une cellule de type MM, veuillez à régler le sélecteur PHONO sur la position MM.

Note

Les impédances imprimées sur le sélecteur PHONO sont des valeurs approximatives. Testez divers réglages d'impédance pour déterminer quelle option est la plus appropriée.

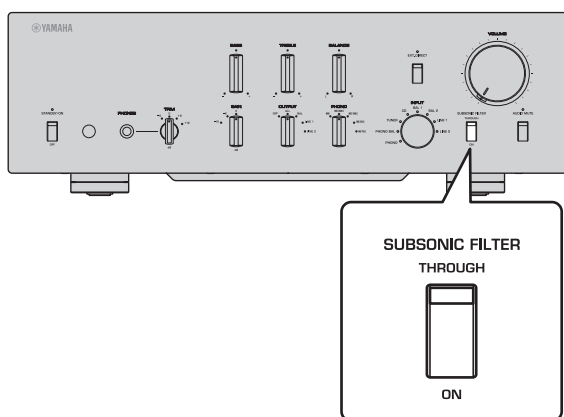
AVIS

Avant de remplacer la cellule, veuillez à mettre cet appareil hors tension.

Filtre subsonique

Activez (ON) le commutateur SUBSONIC FILTER pour utiliser le filtre subsonique.

Un bras de lecture générant de la résonance ou un disque vinyle déformé peuvent produire un bruit de très basse fréquence (bruit subsonique) susceptible d'exercer une contrainte sur les enceintes et de les endommager. Un filtre subsonique permet d'éliminer ce type de bruit et protège les enceintes.

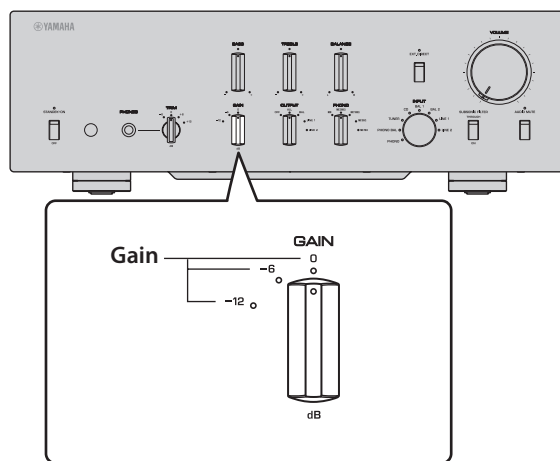


Note

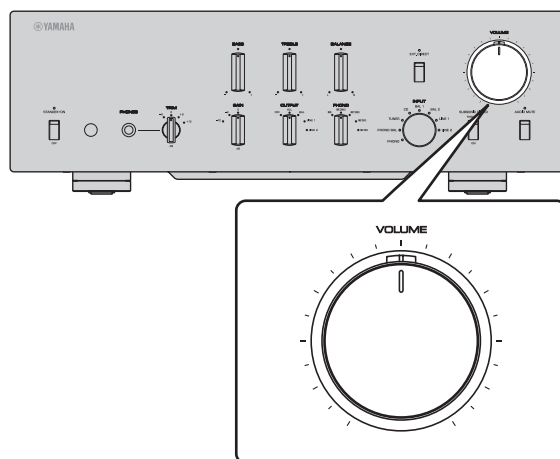
Le filtre subsonique est désactivé quand toute source audio autre que la platine vinyle (raccordée aux prises PHONO) est sélectionnée comme source d'entrée, cela même si le commutateur SUBSONIC FILTER est activé (sur ON).

Réglage du niveau de volume

Réglez le gain (niveau sonore) avec le sélecteur GAIN de sorte à pouvoir effectuer des réglages fins de volume.

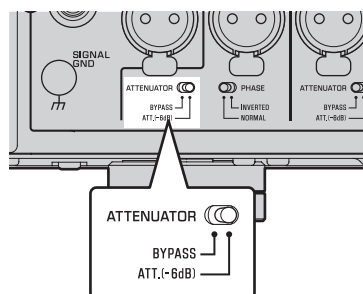


Réglez le niveau de volume avec la commande VOLUME.



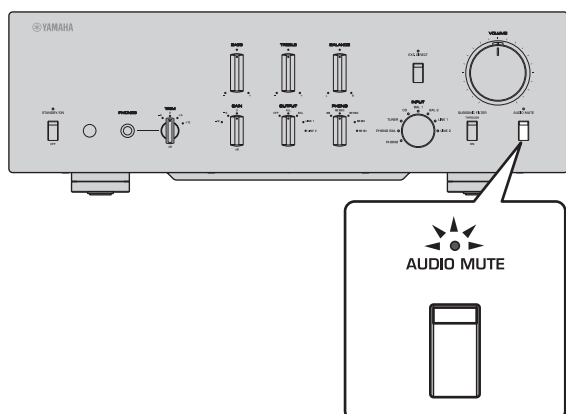
Note

Si le son comporte toujours de la distorsion quand vous réduisez le volume avec la commande VOLUME, le niveau du signal d'entrée dépasse peut-être le seuil admissible. Si le signal de la source audio est reçu via les prises d'entrée symétrique (BAL 1 ou BAL 2), réglez le sélecteur ATTENUATOR sur ATT. (-6 dB).



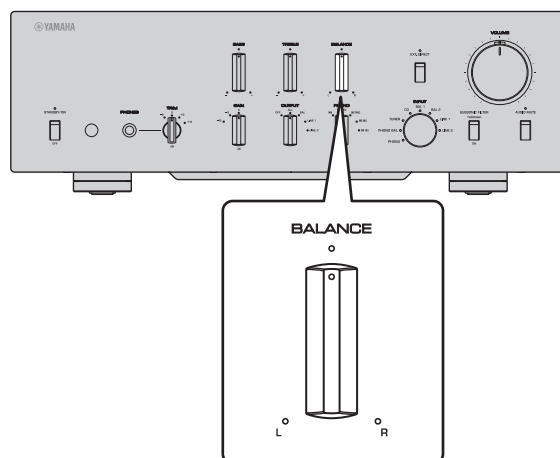
Réduction momentanée du niveau de volume

Appuyez sur le commutateur AUDIO MUTE pour réduire le niveau sonore actuel d'environ 20 dB. Appuyez à nouveau sur ce commutateur pour rétablir le niveau sonore initial.

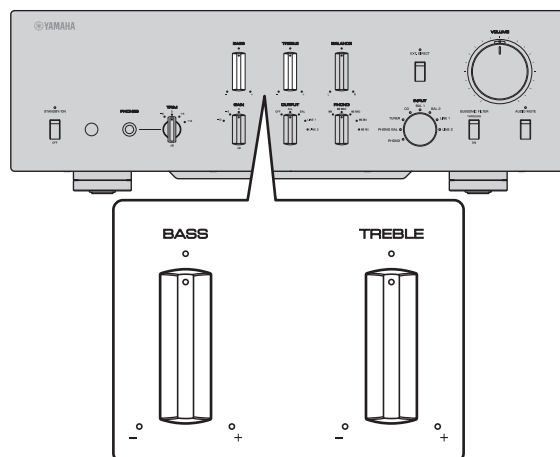


Réglage du timbre

Équilibrez le niveau de volume entre les enceintes gauche et droite avec la commande BALANCE.



Accentuez ou atténuez le grave et l'aigu respectivement avec les commandes BASS et TREBLE.

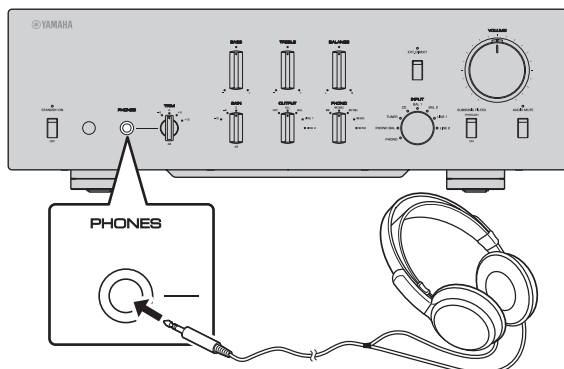


Note

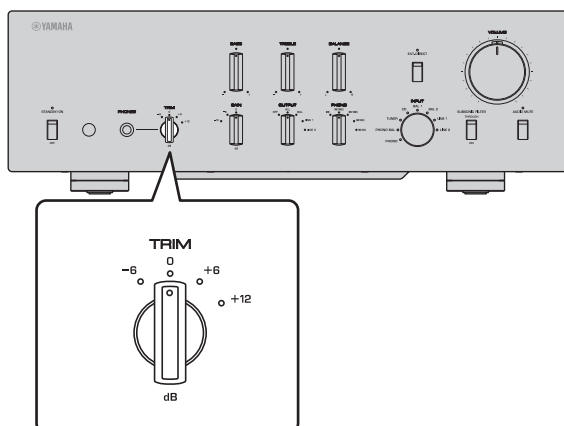
- Quand les commandes BASS et TREBLE sont toutes deux en position centrale, le signal audio contourne le circuit de réglage du timbre.
- Les réglages des commandes BASS, TREBLE et BALANCE n'affectent pas le signal reçu via les prises EXT. IN ni le signal restitué via les prises LINE 2 OUT (enregistrement).

Connexion d'un casque

Quand vous raccordez un casque à la prise PHONES, les prises de sortie (BAL, LINE 1 et LINE 2) en face arrière ne produisent aucun signal.



Utilisez le sélecteur TRIM pour changer le gain de l'amplificateur de casque afin d'équilibrer le niveau du signal du casque à la prise PHONES et le niveau des enceintes (et ainsi éviter de brusques sauts de volume).



Note

Quand EXT. DIRECT est sélectionné, aucun signal n'est restitué à la prise PHONES.

Références techniques

C-5000

Caractéristiques générales

Tension de sortie nominale/Impédance de sortie (entrée de 200 mV, 20 Hz à 20 kHz, DHT 0,01%)

BAL (BYPASS).....	2 Vrms/150Ω
BAL (ATT. -6dB).....	1 Vrms/150Ω
LINE 1/LINE 2.....	1 Vrms/150Ω
LINE 2 OUT (enregistrement) ..	200 mVrms/1,2 kΩ

Tension de sortie maximale (1 kHz, DHT 0,05%)

BAL.....	6 Vrms
LINE 1/LINE 2.....	3 Vrms
LINE 2 OUT (enregistrement) ..	3 Vrms

Sensibilité et impédance d'entrée

BAL/LINE 1/LINE 2, 1 V

BAL 1/BAL 2.....	200 mVrms/52 kΩ
TUNER/CD/LINE 1/LINE 2 IN	200 mVrms/47 kΩ
EXT.IN.....	1 Vrms/20 kΩ

LINE 2 OUT (enregistrement) (150 mV, 1 kHz)

PHONO (MC 300Ω).....	100 μVrms/300Ω
PHONO (MC 100Ω).....	100 μVrms/100Ω
PHONO (MC 30Ω).....	100 μVrms/30Ω
PHONO (MC 10Ω).....	100 μVrms/10Ω
PHONO (MM, type XLR).....	2,5 mVrms/52 kΩ
PHONO (MM, type RCA).....	2,5 mVrms/47 kΩ

Signal d'entrée maximal

LINE 2 OUT (enregistrement) (1 kHz, DHT 0,05%)

BAL (BYPASS).....	2,8 Vrms
BAL (ATT. -6dB).....	5,6 Vrms
TUNER/CD/LINE 1/LINE 2 IN.....	2,8 Vrms
PHONO (MC).....	2 mVrms
PHONO (MM).....	50 mVrms
EXT.IN.....	5,6 Vrms

Réponse en fréquence (JEITA, charge de 22 kΩ)

10 Hz à 100 kHz.....	+0/-3 dB
20 Hz à 20 kHz.....	+0/-0,3 dB

Distorsion harmonique totale plus bruit (JEITA, entrée de 0,5 V, 20 Hz à 20 kHz)

BAL 1/BAL 2/TUNER/CD/LINE 1/LINE 2 IN → BAL/LINE 1/LINE 2.....	0,0100%
PHONO (MC) → LINE 2 OUT (enregistrement)	0,0200%
PHONO (MM) → LINE 2 OUT (enregistrement)	0,0200%

Séparation des voies

(entrée terminée à 1,0 kΩ, 1 kHz/10 kHz, JEITA)

BAL 1/BAL 2/TUNER/CD/LINE 1/LINE 2 IN	110 dB ou plus
PHONO (MC).....	80 dB ou plus
PHONO (MM).....	98 dB ou plus

Séparation de fonction

(réseau IHF-A, entrée terminée à 1,0 kΩ, JEITA)

BAL 1/BAL 2/TUNER/CD/LINE 1/LINE 2 IN	110 dB ou plus
PHONO (MC).....	75 dB ou plus
PHONO (MM).....	95 dB ou plus

Rapport signal/bruit

(réseau IHF-A, entrée terminée à 1,0 kΩ, JEITA)

BAL 1/BAL 2/TUNER/CD/LINE 1/LINE 2 IN	110 dB ou plus
PHONO (MC 300Ω).....	80 dB ou plus
PHONO (MM).....	98 dB ou plus

Bruit résiduel (réseau IHF-A)

BAL/LINE 1/LINE 2.....	3 μV
------------------------	------

Caractéristiques de contrôle du timbre

Grave

Accentuation/atténuation.....	30 Hz/±9 dB
Fréquence de transition.....	350 Hz

Aigu

Accentuation/atténuation.....	20 kHz/±9 dB
Fréquence de transition.....	3,5 kHz

**Puissance de sortie nominale de la prise casque
(1 kHz, 32Ω, 0,2% DHT)**

.....35 mW + 35 mW

Écart d'égalisation RIAA

MC/MM±0,5 dB

Caractéristiques du filtre subsonique

MC/MM 15 Hz/−3 dB

Alimentation

[Modèles pour les États-Unis et le Canada]
..... 120 V CA, 60 Hz

[Modèle pour la Chine] 220 V CA, 50 Hz

[Modèle pour la Corée] 220 V CA, 60 Hz

[Modèle pour l'Australie] 240 V CA, 50 Hz

[Modèles pour le Royaume-Uni et l'Europe]
..... 230 V CA, 50 Hz

[Modèle pour l'Asie] ... 220–240 V CA, 50 Hz/60 Hz

[Modèles pour l'Amérique Centrale,
l'Amérique du Sud et Taïwan] ... 110 V CA, 60 Hz

Consommation

..... 60 W

Consommation en veille

Mode hors tension 0,1 W

Mode veille 0,2 W

Dimensions (L × H × P)

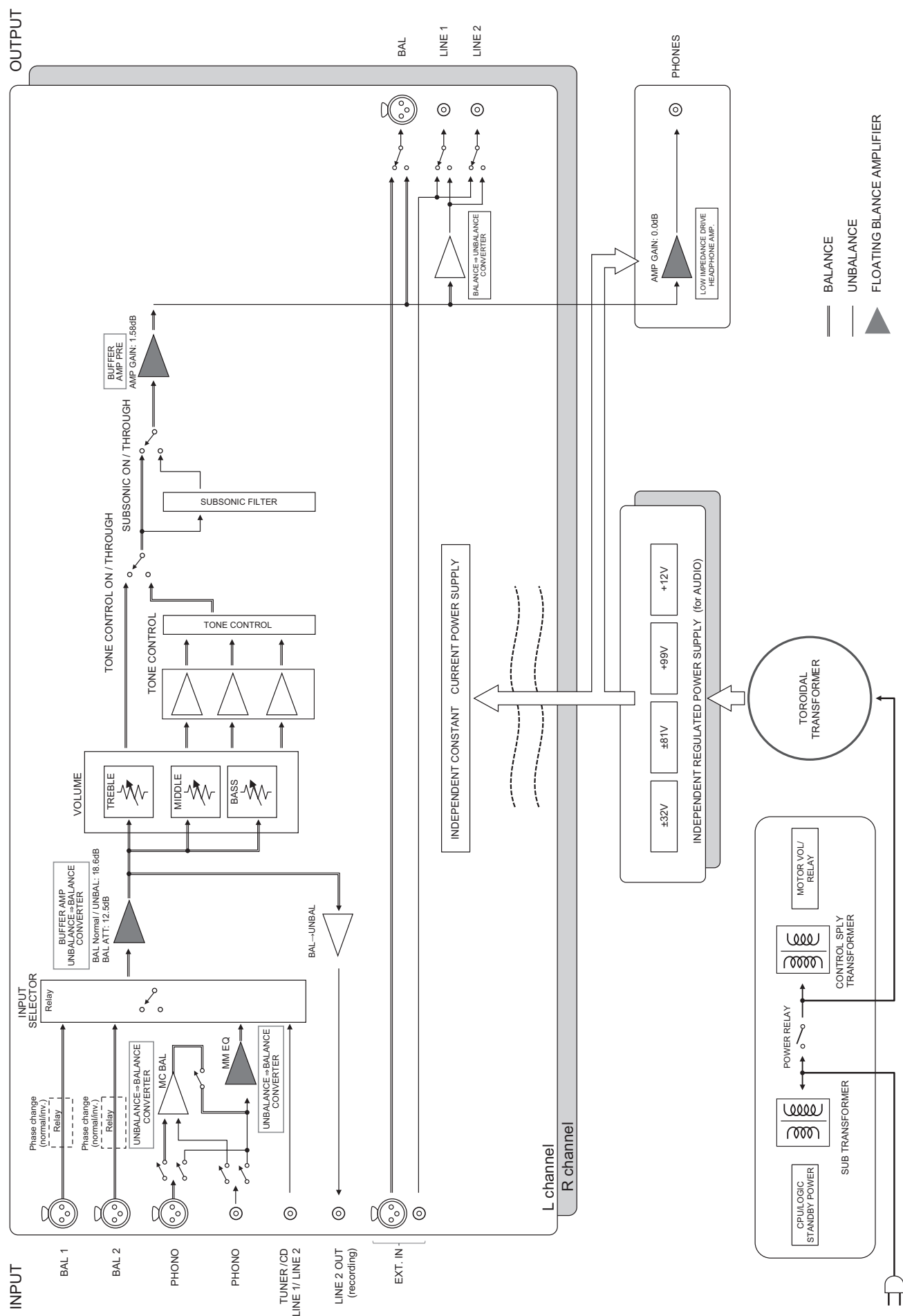
..... 435 × 142 × 451 mm

Poids

..... 19,1 kg

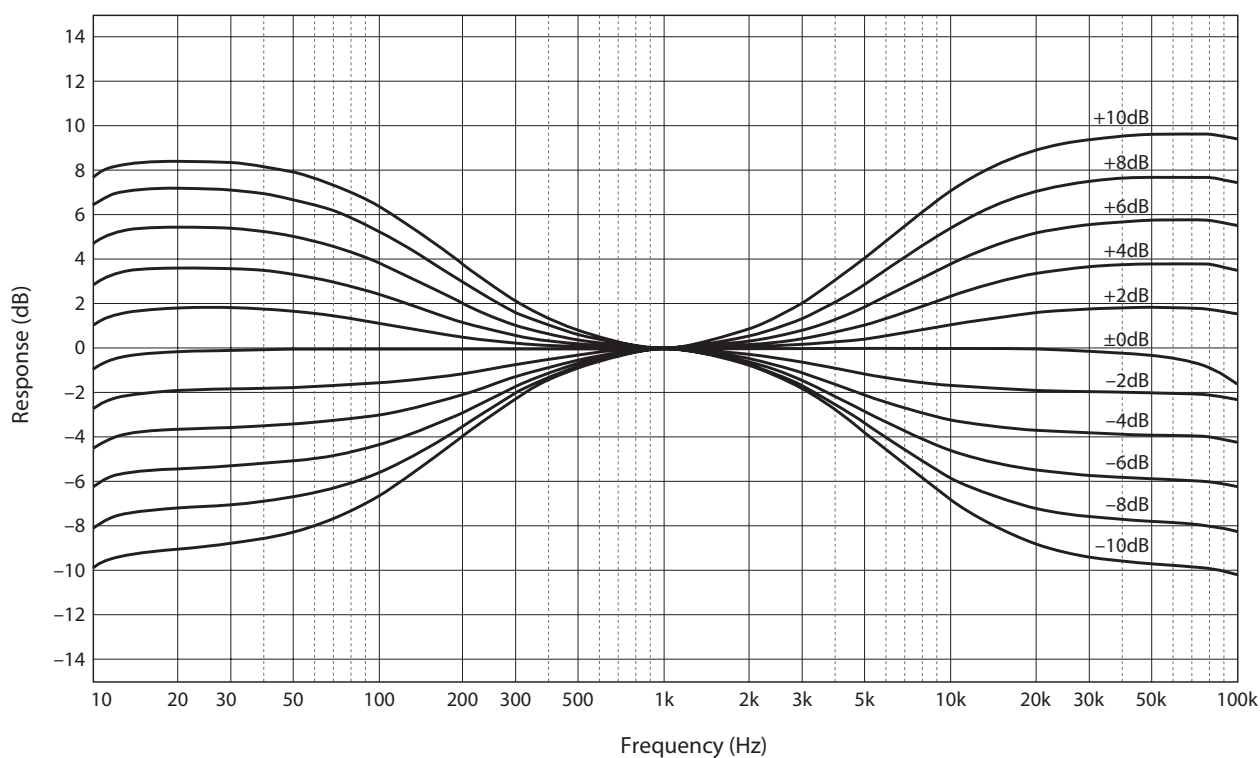
* Le contenu de ce mode d'emploi s'applique aux dernières caractéristiques techniques connues à la date de publication du manuel. Pour obtenir la version la plus récente du manuel, accédez au site Web de Yamaha puis téléchargez le fichier du manuel concerné.

Schéma fonctionnel



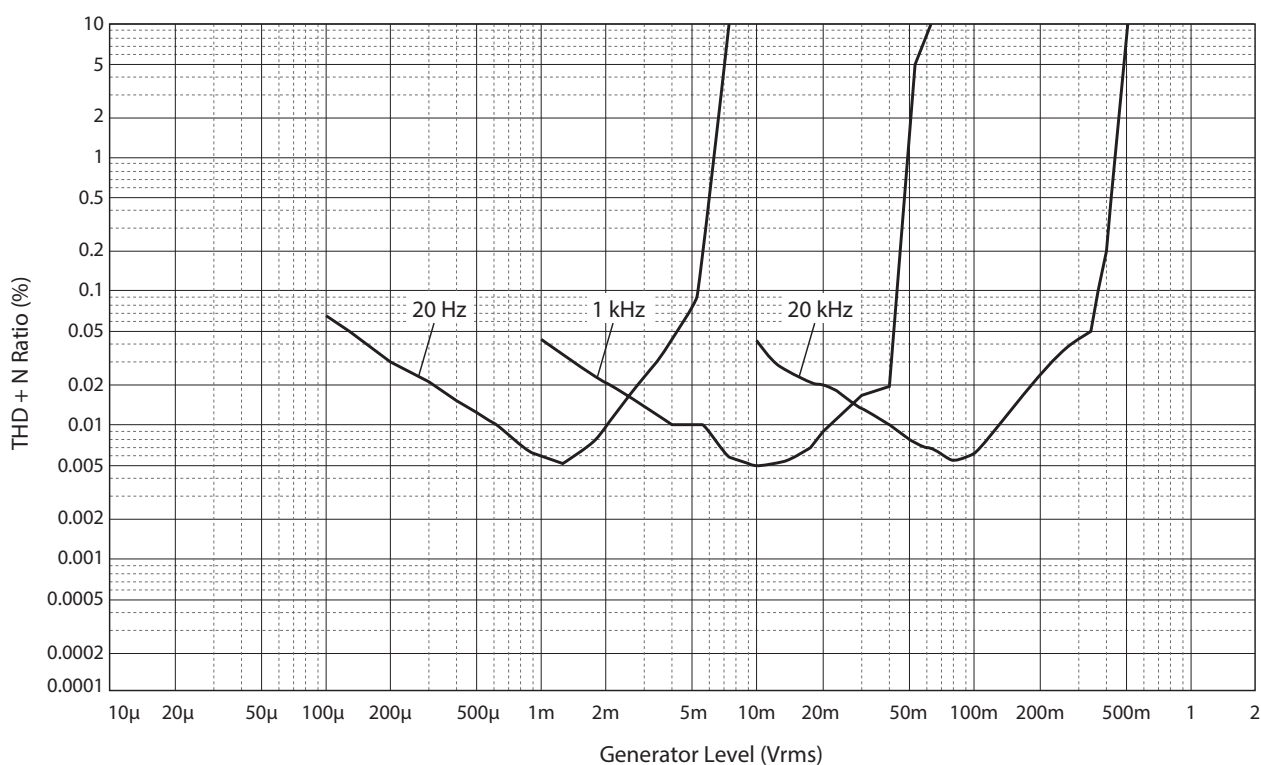
Caractéristiques sonores

Réponse en fréquence (commande de timbre)

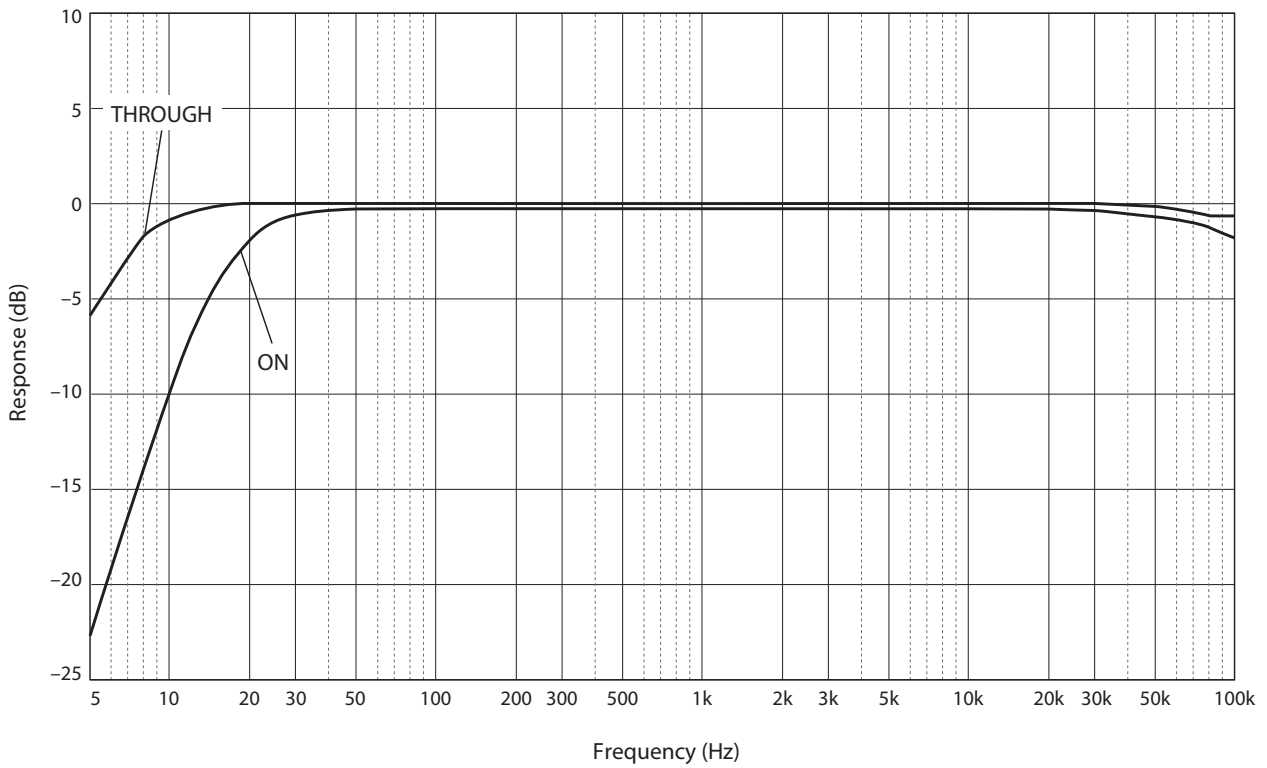


Français

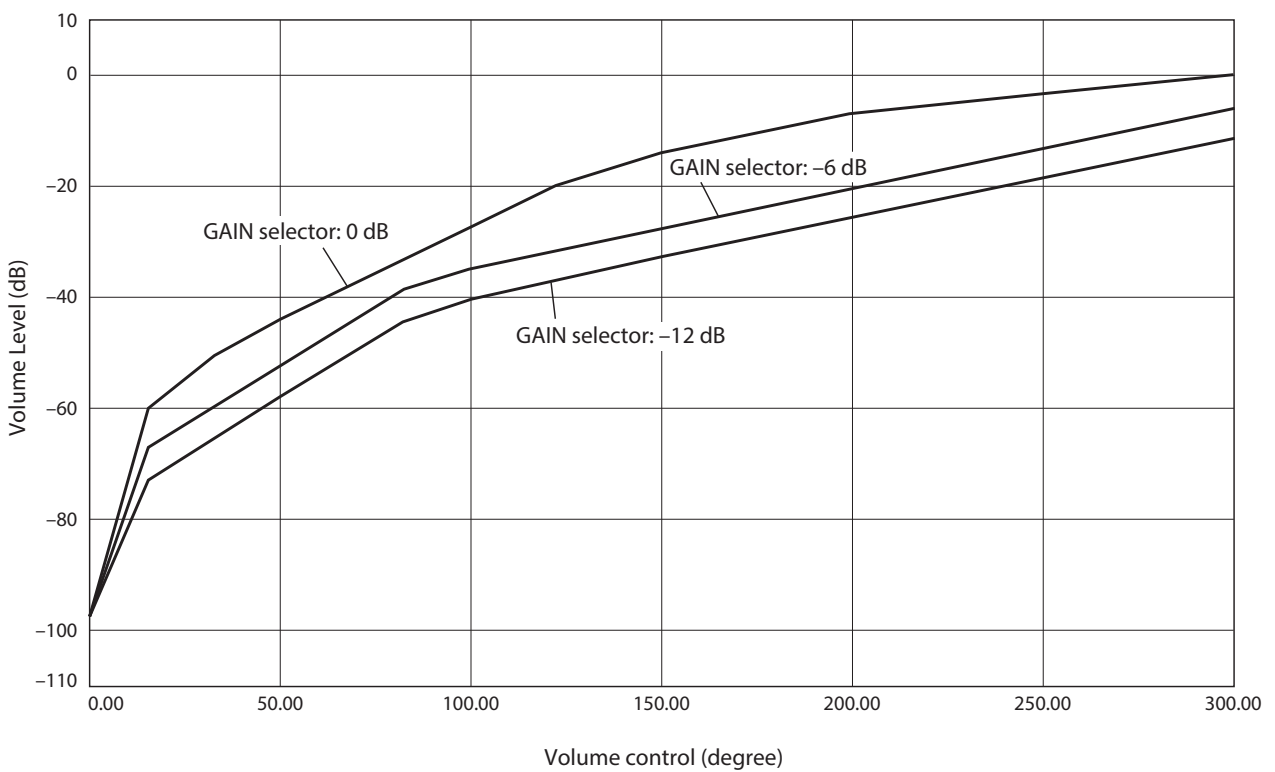
Distorsion harmonique totale (PHONO)



Filtre subsonique



Courbe de volume



Guide de dépannage

Reportez-vous au tableau suivant si l'appareil ne fonctionne pas comme il devrait. Si les actions correctives suggérées ci-dessous ne permettent pas de résoudre le problème, ou si le problème rencontré ne figure pas dans le tableau, mettez l'appareil hors tension, débranchez son cordon d'alimentation et contactez le revendeur ou SAV Yamaha le plus proche.

Anomalies	Causes possibles	Actions correctives	Voir page
Impossible de mettre l'appareil sous tension.	Le cordon d'alimentation n'est pas raccordé à la prise AC IN du panneau arrière de l'appareil ou à une prise secteur.	Branchez fermement le cordon d'alimentation.	66
	L'appareil a été soumis à un choc électrique puissant (provoqué par exemple par un orage ou une décharge d'électricité statique).	Mettez l'appareil hors tension, débranchez son cordon d'alimentation de la prise de courant et attendez environ 30 secondes avant de le brancher à nouveau au secteur.	66
	Il y a un problème au niveau des circuits internes de cet appareil.	Débranchez le cordon d'alimentation de la prise de courant et prenez contact avec le revendeur ou SAV agréé Yamaha le plus proche.	66
Aucun son n'est audible.	Les raccordements des câbles d'entrée ou de sortie ne sont pas corrects.	Branchez correctement les câbles. Si le problème persiste, les câbles sont peut-être défectueux.	60
	Aucune source d'entrée appropriée n'a été sélectionnée.	Sélectionnez la source d'entrée souhaitée avec le sélecteur INPUT du panneau avant (ou avec l'une des touches de sélection d'entrée de la télécommande).	68
	Le réglage du sélecteur OUTPUT ne correspond pas aux prises de sortie utilisées.	Sélectionnez une sortie appropriée avec le sélecteur OUTPUT.	68
Le niveau sonore ne peut pas être réglé.	EXT. DIRECT est sélectionné comme source d'entrée.	Réglez le volume sur le composant raccordé. Vous pouvez aussi raccorder le composant externe à une paire de prises d'entrée autre que EXT. IN et sélectionner ensuite la source d'entrée en question.	60 68
Le signal est audible sur une seule voie.	La connexion de l'appareil de lecture est incorrecte.	Vérifiez que les connexions sont correctes. Si le problème persiste, les câbles sont peut-être défectueux.	60

Anomalies	Causes possibles	Actions correctives	Voir page
Un « ronflement » est audible.	Les raccordements des câbles d'entrée ou de sortie ne sont pas corrects.	Branchez correctement les câbles. Si le problème persiste, les câbles sont peut-être défectueux.	60
	La platine vinyle n'est pas raccordée à la masse via la borne GND.	Raccordez la platine vinyle à la borne GND de cet appareil.	62
	Des câbles XLR symétriques et RCA (Cinch) asymétriques sont utilisés simultanément entre deux composants.	N'utilisez pas simultanément des câbles XLR symétriques et RCA (Cinch) asymétriques entre deux composants. Cela génère une boucle de masse susceptible de causer des interférences et du bruit.	61
Le signal de lecture du composant raccordé aux prises d'entrée symétrique BAL 1 ou BAL 2 comporte de la distorsion.	Le niveau du signal reçu aux prises d'entrée dépasse la limite d'entrée admissible.	Si le niveau du signal aux prises d'entrée XLR symétrique du composant de lecture raccordé est deux fois plus élevé que le niveau aux prises RCA (Cinch) d'entrée asymétrique, réglez le sélecteur ATTENUATOR situé sous les prises d'entrée sur ATT. (-6 dB).	70
Le grave manque de profondeur quand vous sélectionnez BAL 1 ou BAL 2 (entrée symétrique).	La polarité est incorrecte.	Sélectionnez la polarité correcte avec le sélecteur PHASE.	54
Le volume du disque lu sur la platine vinyle est trop bas.	Le réglage du sélecteur PHONO en face avant est incorrect.	Réglez le sélecteur PHONO sur la position MM ou MC selon le type de cellule magnétique de la platine vinyle.	69
La télécommande ne fonctionne pas du tout ou pas normalement.	La télécommande est utilisée hors de son rayon d'action.	La télécommande doit être utilisée dans un rayon de 6 m et selon un angle inférieur à 30 degrés par rapport à une perpendiculaire à la face avant.	58
	Le lumière directe du soleil ou d'un éclairage (lampe fluorescente à convertisseur, stroboscopique, etc.) frappe le capteur de télécommande sur la face avant cet appareil.	Changez l'orientation de l'éclairage ou la position de l'appareil.	58
	Les piles sont usées.	Remplacez les piles.	58

Index

A

Prise AC IN	66
Amplificateur de puissance, connexion	63
ATTENUATOR, sélecteur	70
AUDIO MUTE, commutateur	71
AUTO POWER STANDBY, commutateur	53

B

BAL 1, prise	51
BAL 2, prise	51
BALANCE, commande	71
BAL, prise	53
BASS, commande	71
Borne de masse	62
Borne SIGNAL GND	62

C

Capteur de télécommande	58
Casque, connexion	72
Composant d'enregistrement, connexion	62
Connexion à distance	65
Connexion asymétrique	55
Connexion symétrique	54

E

EXT. DIRECT, commutateur	69
EXT. IN, prise	63

G

GAIN, sélecteur	70
-----------------------	----

I

INPUT, sélecteur	68
Interrupteur d'alimentation	46
Interrupteur STANDBY/ON/OFF	46

L

LINE 1, prise	53
LINE 2 IN, prise	52
LINE 2 OUT (enregistrement), prise	52
LINE 2, prise	53

M

Mise sous tension	46
-------------------------	----

O

OUTPUT, sélecteur	68
-------------------------	----

P

PHASE, sélecteur	54
PHONES, prise	72
PHONO, prise	62
PHONO, sélecteur	69
Platine vinyle, connexion	62
Prise External In	63
Prise Phono	62

R

Réglage de l'entrée de la platine vinyle	69
REMOTE, prise	65

S

SERVICE, prise	53
SUBSONIC FILTER	70
SUBSONIC FILTER, commutateur	70
Subwoofer, connexion	63

T

Témoin d'alimentation	46
Témoin STANDBY/ON/OFF	46
TREBLE, commande	71
Trigger, connexion	64
TRIGGER, prise	64
TRIM, sélecteur	72

V

VOLUME, commande	70
------------------------	----

Vielen Dank für und herzlichen Glückwunsch zum Kauf dieses Yamaha Geräts.

- ◆ Sie können den hochwertigen Stereosound dieses Vorverstärkers in Ihrem Heim genießen.
- ◆ Vorliegende Bedienungsanleitung beschreibt die Funktionen, Verbindungen und Bedienung des Geräts.
- ◆ Für eine sachgemäße und sichere Bedienung des Geräts empfehlen wir, dass Sie diese Anleitung sowie die (gesonderte) Sicherheitsbroschüre sorgfältig lesen.
Bewahren Sie die Anleitung danach für spätere Nachschlagzwecke sorgfältig auf.



Sie können eine PDF-Version dieser Anleitung von der folgenden Yamaha Website herunterladen:

<https://download.yamaha.com/>

Merkmale

- ◆ Links/rechts-symmetrische Konstruktion für einen gespiegelten Aufbau
- ◆ Klasse-A-Betrieb vollstufiger, potentialgetrennter und symmetrischer Übertragung von Eingang zu Ausgang
- ◆ Potentialgetrennter und symmetrischer Phono-EQ-Verstärker mit symmetrischen Eingängen
- ◆ Hochpräzise Steuerelemente mit einer firmeneigenen Lagerstruktur und hochsteifen Schaltern
- ◆ Speziell für Audiozwecke entworfener Doppeltransformator, völlig unabhängig von der Stromversorgung der Steuerung
- ◆ Stabile mechanische Erdungskonstruktion verringert die Auswirkungen externer Vibrationen drastisch.
- ◆ Klangregelungsschaltung mit einem firmeneigenen parallelen Lautstärkesystem
- ◆ Neu gestaltete Messing-Spike-Füße
- ◆ Verstärkungsregelungsfunktion mit extrem feiner Lautstärkeeinstellung

Über diese Anleitung

- ◆ Die Abbildungen in dieser Anleitung dienen lediglich zur Veranschaulichung.
- ◆ Die in dieser Anleitung erwähnten Firmen- und Produktnamen sind Warenzeichen bzw. eingetragene Warenzeichen der betreffenden Firmen.
- ◆  **WARNUNG**“ kennzeichnet Vorsichtsmaßnahmen, die zu beachten sind, um die Gefahr tödlicher oder schwerer Verletzungen zu vermeiden.
- ◆  **VORSICHT**“ kennzeichnet Vorsichtsmaßnahmen, die zu beachten sind, um Verletzungsgefahr zu vermeiden.
- ◆ **ACHTUNG**“ kennzeichnet Vorsichtsmaßnahmen, die zu beachten sind, um eine Störung oder Beschädigung des Geräts oder Datenverlust zu vermeiden.
- ◆ **Hinweis**“ kennzeichnet zusätzliche Informationen zum Gerät.
- ◆ Achten Sie darauf, vor dem Einsatz des Geräts die gesonderte „Sicherheitsbroschüre“ zu lesen.

Inhalt

Merkmale	82
Über diese Anleitung	82
Mitgeliefertes Zubehör	84
Pflege	84
Hochglanz-Seitenwände	84
Andere Oberflächen als die Hochglanz-Seitenwände	84

Bezeichnung und Funktion der Teile

Frontblende	86
Rückwand	90
Symmetrische und unsymmetrische Verbindungen	94
Fernbedienung	96
Batterien in die Fernbedienung einsetzen	98
Bedienung der Fernbedienung	98

Verbindungen

Externes Gerät anschließen	100
Plattenspieler anschließen	102
Aufnahmegerät anschließen	102
Anderen Verstärker anschließen	103
Leistungsverstärker und aktiven Subwoofer anschließen	103
Trigger-Anschlüsse	104
Synchrones Ein-/Ausschalten eines mit diesem Gerät verbundenen Geräts wie ein Leistungsverstärker	104
Synchrones Ein-/Ausschalten dieses Geräts mit einem verbundenen Gerät wie ein AV-Receiver	104
Remote-Verbindungen	105
Bedienung des Geräts aus einem anderen Raum	105
Remote-Verbindung zwischen Yamaha Geräten	105
Netzkabel anschließen	106

Bedienung

Einschalten	108
Eingang und Ausgang auswählen	108
Eingabe von den Buchsen EXT. IN auswählen	109
Einstellung des Plattenspieler-Eingangs anpassen	109
Wahlschalter PHONO	109
Subsonic-Filter	110
Lautstärkepegel anpassen	110
Lautstärkepegel vorübergehend senken	111
Ton einstellen	111
Kopfhörer anschließen	112

Bezugsmaterialien

Allgemeine technische Daten	114
Blockdiagramm	116
Audio-Charakteristik	117
Frequenzgang (Klangregler)	117
Gesamte harmonische Verzerrung (PHONO)	117
Subsonic-Filter	118
Lautstärkekurve	118
Störungsbeseitigung	119
Verzeichnis	121

Mitgeliefertes Zubehör

Bitte prüfen Sie, ob das folgende Zubehör im Lieferumfang des Geräts enthalten ist.

- Fernbedienung
- Batterien (Mikro, AAA, R03, UM-4) (x2)
- Netzkabel
- Bedienungsanleitung (vorliegendes Buch)
- Gesonderte Sicherheitsbroschüre



WARNUNG

Das mitgelieferte Netzkabel nicht mit anderen Geräten verwenden.

Pflege

Wir empfehlen regelmäßige Pflege, um die Lebenserwartung dieses Geräts zu verlängern.



WARNUNG

- Prüfen Sie das Netzkabel regelmäßig auf angesammelten Staub. Den Staub nach Bedarf gründlich abwischen. Andernfalls könnte ein Brand oder Stromschlag erfolgen.
- Verwenden Sie zur Reinigung und Schmierung keine Sprays oder Sprühdosen mit brennbarem Gas. Andernfalls kann sich brennbares Gas im Inneren des Geräts ansammeln und eine Explosion oder einem Brand verursachen.

ACHTUNG

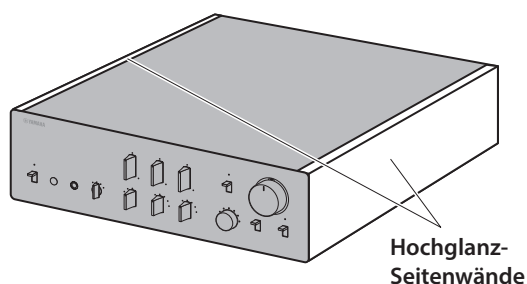
- Reinigen Sie das Gerät mit einem trockenen, weichen Tuch. Die Verwendung von Reinigungsmitteln wie Benzol oder Verdünner, Putzmitteln oder chemisch behandelten Tüchern kann Farbveränderungen oder Beeinträchtigungen der Oberfläche verursachen. Ist die Oberfläche stark verschmutzt, ein Tuch in mit Wasser verdünntem Spülmittel tunken, dann gründlich auswringen und den Schmutz abwischen.
- Wird die Oberfläche im Bereich des Yamaha-Logos kraftvoll abgewischt, könnte sich das Logo lösen oder Fasern vom Tuch an der Oberfläche anhaften.

Hochglanz-Seitenwände

Wir empfehlen die Verwendung eines Reinigungstuchs für Klaviere. Bei stark verschmutzter Oberfläche ein mit Wasser angefeuchtetes, ausgewrungenes weiches Tuch verwenden.

Andere Oberflächen als die Hochglanz-Seitenwände

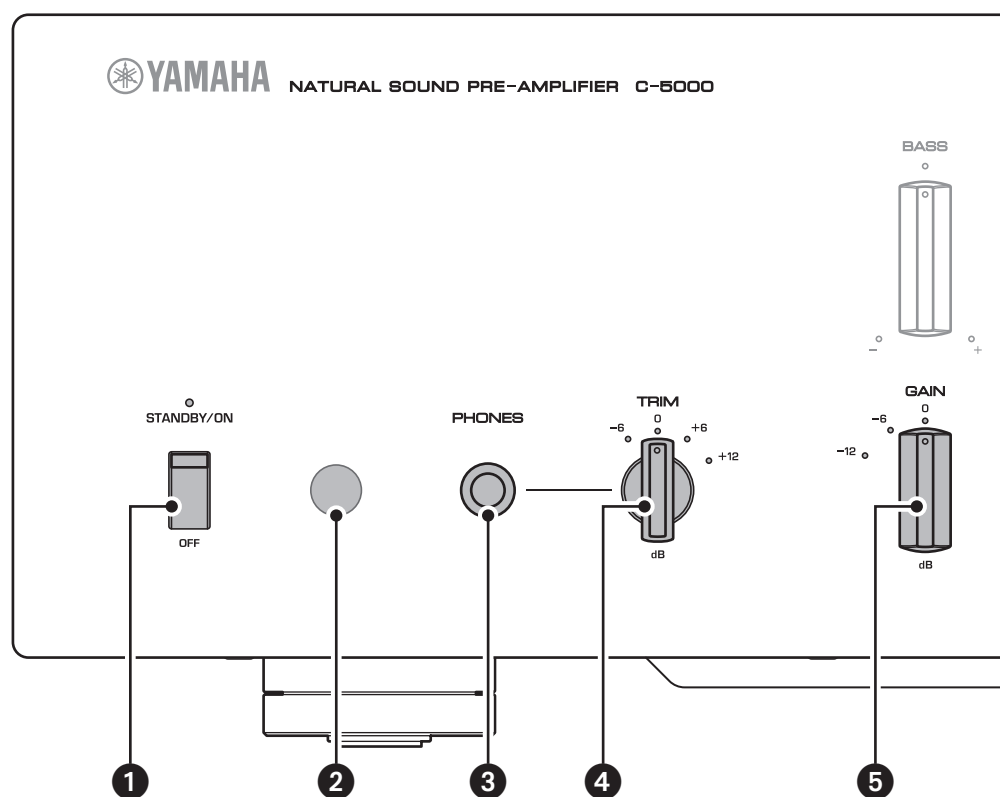
Andere Oberflächen mit einem weichen, trockenen Tuch abwischen. Ist die Oberfläche stark verschmutzt, ein Tuch in mit Wasser verdünntem Spülmittel tunken, dann gründlich auswringen und den Schmutz abwischen.



Bezeichnung und Funktion der Teile

In diesem Abschnitt werden die Namen und Funktionen der Bedienelemente an der Frontblende und Rückwand sowie der Fernbedienung aufgeführt und beschrieben.

Frontblende



1 Netzschalter/-anzeige STANDBY/ON / OFF

Zum Ein- (Standby)/Ausschalten des Geräts.

STANDBY/ON: Zum Umschalten zwischen Standby und Ein mit der Taste AMP der Fernbedienung.

OFF: Zum Ausschalten des Geräts.

Betriebszustand	Anzeige
Ein-Modus	Leuchtet hell
Standby-Modus	Leuchtet schwach
Aus-Modus	Leuchtet nicht

Das Gerät wechselt nicht nur beim Drücken der Taste AMP der Fernbedienung sondern auch bei einem der folgenden Ereignisse in den Standby-Modus:

- Das Gerät ist eingeschaltet, wurde aber acht Stunden lang nicht betrieben, während die Funktion Auto Power Standby aktiv war.
- Das an der Buchse TRIGGER IN dieses Geräts angeschlossene Gerät wurde ausgeschaltet.

Weitere Informationen finden sich unter „**17** Schalter AUTO POWER STANDBY“ im Abschnitt „Rückwand“ (Seite 93) und unter „Trigger-Anschlüsse“ (Seite 104).

Hinweis

Dieses Gerät ist erst einige Sekunden nach dem Einschalten in der Lage, Ton wiederzugeben.

ACHTUNG

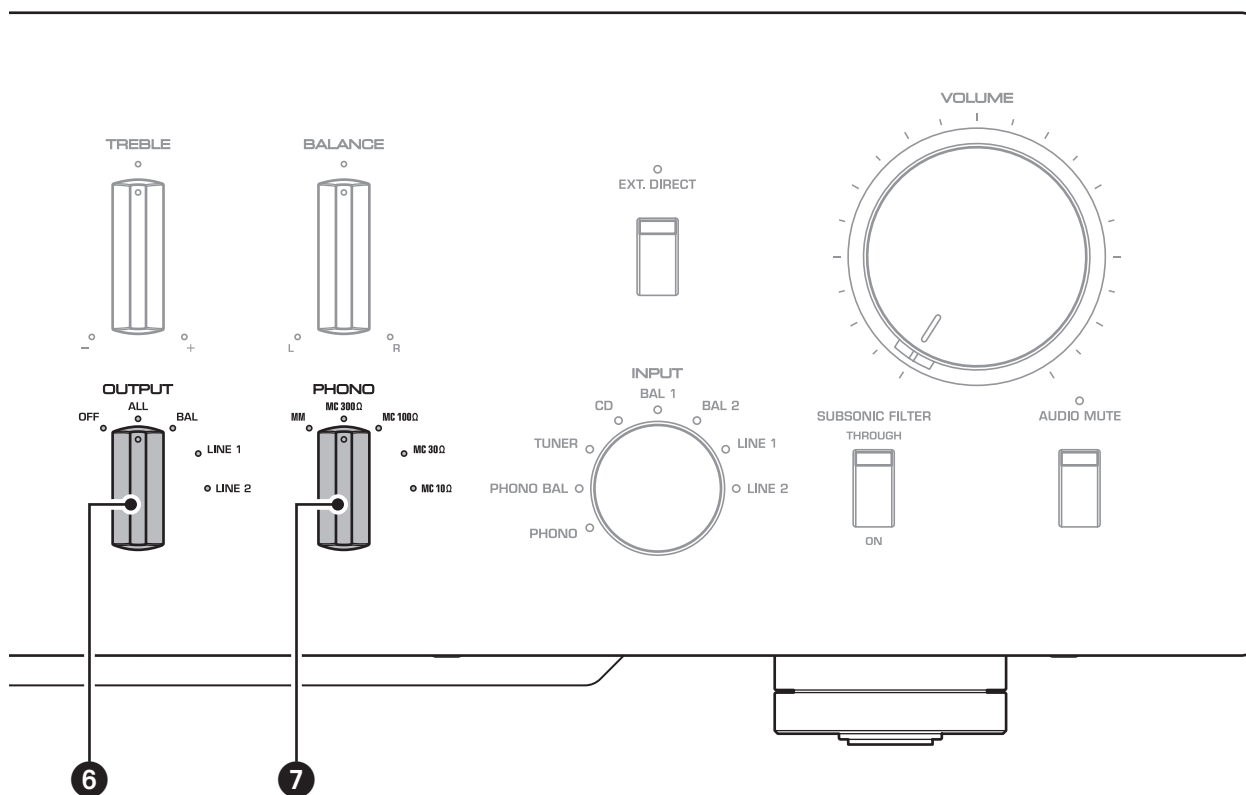
Wird das Gerät voraussichtlich längere Zeit nicht benutzt, sollten Sie das Kabel aus der Netzsteckdose abziehen. Auch wenn der Netzschalter STANDBY/ON / OFF ausgeschaltet ist (Netzanzeige leuchtet nicht), nimmt das Gerät eine minimale Strommenge auf.

2 Fernbedienungssensor

Empfängt die Signale von der Fernbedienung. Näheres hierzu siehe „Bedienung der Fernbedienung“ (Seite 98).

3 Buchse PHONES

Zum Verbinden eines Kopfhörers, um Musik in aller Ruhe zu genießen. Näheres hierzu siehe „Kopfhörer anschließen“ (Seite 112).



4 Wahlschalter TRIM

Zum Umschalten der Kopfhörerverstärkung. Das Gerät passt die Lautstärke beim Anschließen von Kopfhörern an, um plötzliche Lautstärkeänderungen zu vermeiden, indem es das Pegelverhältnis der Audioausgabe zwischen der Buchse PHONES und den Lautsprechern ändert.

Wahlmöglichkeiten: -6 dB, 0 dB, +6 dB, +12 dB

5 Wahlschalter GAIN

Zum Umschalten der Vorverstärkung. Das Gerät passt sich problemlos an die Endstufenverstärkung und die Lautsprecherempfindlichkeit an, so dass Sie feine Lautstärkeanpassungen vornehmen können. Näheres hierzu siehe „Lautstärkepegel anpassen“ (Seite 110).

Wahlmöglichkeiten: -12 dB, -6 dB, 0 dB

6 Wahlschalter OUTPUT

Legt wie folgt fest, welchen Buchsen OUTPUT Signale anliegen werden.

Verwenden Sie diesen Wahlschalter, wenn mehrere Leistungsverstärker angeschlossen sind.

	Wahlschalter OUTPUT				
	OFF	ALL	BAL	LINE 1	LINE 2
Buchsen BAL	—	Ausgabe	Ausgabe	—	—
Buchsen LINE 1	—	Ausgabe	—	Ausgabe	—
Buchsen LINE 2	—	Ausgabe	—	—	Ausgabe

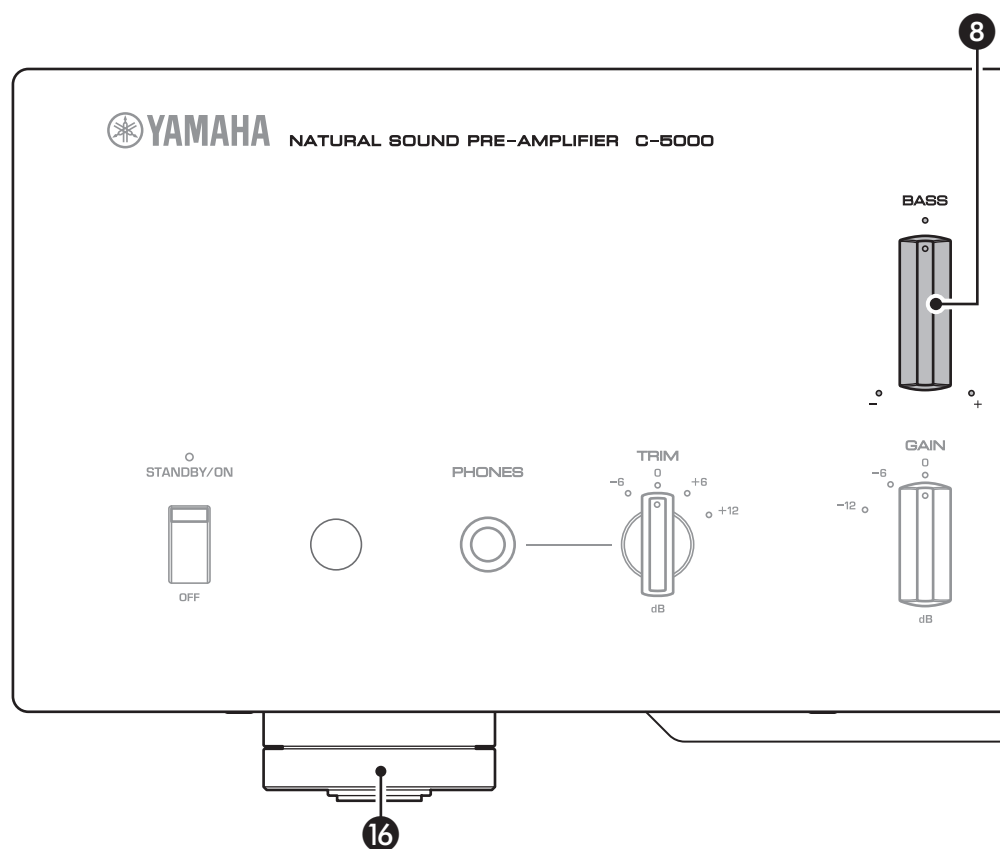
7 Wahlschalter PHONO

Zum Auswählen des Tonabnehmertyps des an den Buchsen PHONO an der Rückwand angeschlossenen Plattenspielers (MM, MC 300Ω, MC 100Ω, MC 30Ω, MC 10Ω). Näheres hierzu siehe „Einstellung des Plattenspieler-Eingangs anpassen“ (Seite 109).

ACHTUNG

Vor dem Austauschen des Tonabnehmers müssen Sie dieses Gerät ausschalten.

Frontblende



8 Regler BASS

Zum Regeln des Niederfrequenzgangs in einem Bereich von -10 dB bis $+10$ dB (in Schritten von $0,5$ dB). Die Mittelstellung erzeugt einen linearen Frequenzgang.

9 Regler TREBLE

Zum Regeln des Hochfrequenzgangs in einem Bereich von -10 dB bis $+10$ dB (in Schritten von $0,5$ dB). Die Mittelstellung erzeugt einen linearen Frequenzgang.

10 Regler BALANCE

Zum Anpassen der Audioausgangsbalance zwischen den linken und rechten Lautsprechern in einem Bereich von L (rechter Kanal stummgeschaltet) bis R (linker Kanal stummgeschaltet), um Klangungleichgewichte auszugleichen, die durch die Lautsprecheranordnung oder Hörbedingungen verursacht werden.

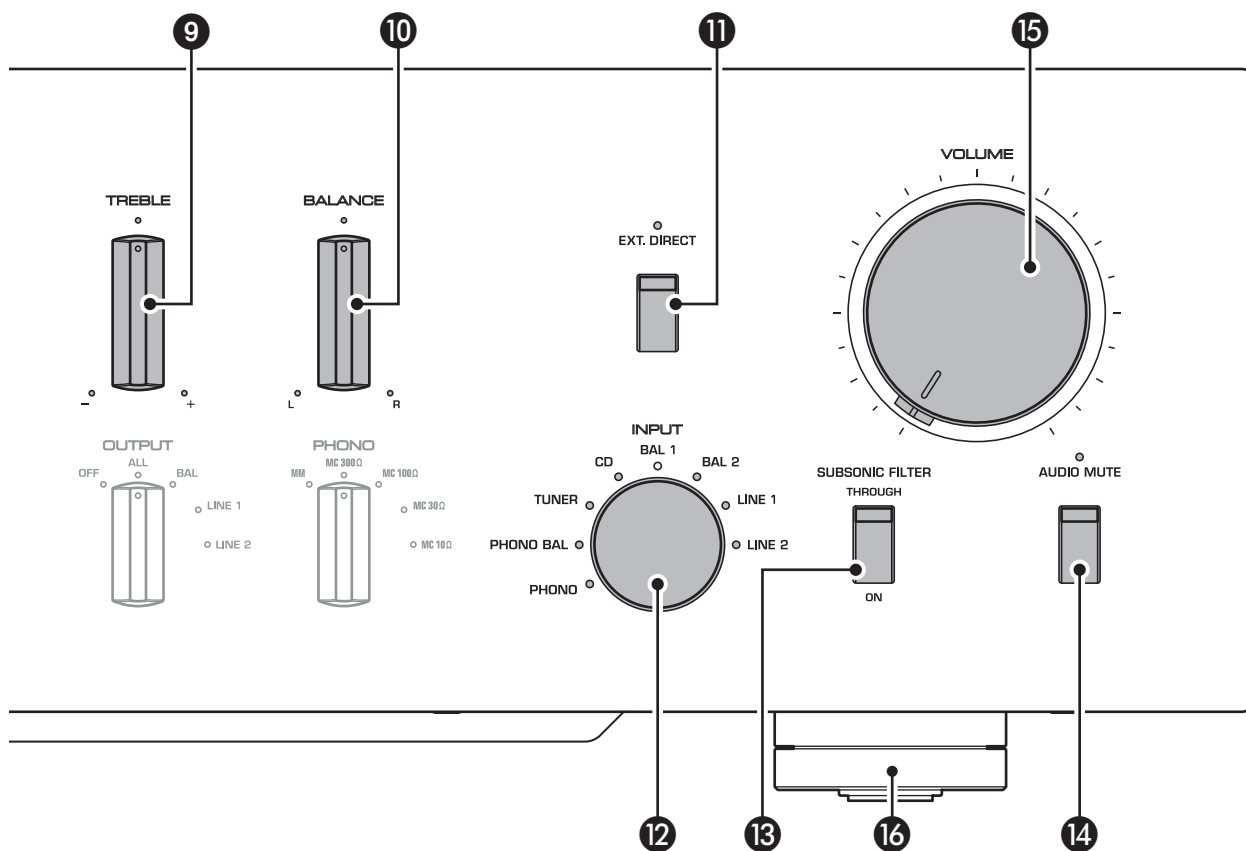
11 Schalter/Anzeige EXT. DIRECT

Wird der Schalter EXT. DIRECT einmal gedrückt, leuchtet die Anzeige EXT. DIRECT auf, und die an den Buchsen EXT. IN eingespeiste Audioquelle wird an den verbundenen Ausgangsbuchsen ausgegeben. Näheres hierzu siehe „Anderen Verstärker anschließen“ (Seite 103) und „Eingang und Ausgang auswählen“ (Seite 108).

Wird der Schalter EXT. DIRECT erneut gedrückt oder der Wahlschalter INPUT gedreht, wird das durch den Wahlschalter INPUT ausgewählte Signal zur Eingangsquelle, und die Anzeige EXT. DIRECT erlischt.

Hinweis

Wenn EXT. DIRECT ausgewählt ist, wird an den (Aufnahme-) Buchsen LINE 2 OUT und an der Buchse PHONES kein Signal ausgegeben.



12 Wahlschalter/Anzeige INPUT

Zum Auswählen der wiederzugebenden Eingangsquelle. Die Wahlmöglichkeiten umfassen **PHONO, PHONO BAL, TUNER, CD, BAL 1, BAL 2, LINE 1 und LINE 2**. Die Anzeige für die gewählte Eingangsquelle leuchtet auf.

Hinweis

Wird LINE 2 ausgewählt, werden keine Audiosignale an den (Aufnahme-)Buchsen LINE 2 OUT ausgegeben.

13 Schalter SUBSONIC FILTER

Zum Umschalten des Subsonic-Filters zwischen **ON** (aktiviert) und **THROUGH** (deaktiviert). Näheres hierzu siehe „Einstellung des Plattenspieler-Eingangs anpassen“ (Seite 109).

Hinweis

Steht der Wahlschalter INPUT nicht auf PHONO oder PHONO BAL, wird der Filter deaktiviert.

14 Schalter/Anzeige AUDIO MUTE

Drücken des Schalters reduziert den aktuellen Lautstärkepegel um ca. 20 dB. Die Anzeige leuchtet auf. Erneutes Drücken des Schalters bringt die Audioausgabe auf den vorherigen Lautstärkepegel zurück. Die Anzeige erlischt.

15 Regler VOLUME

Zum Anpassen des Lautstärkepegels. Diese Einstellung hat keinen Einfluss auf den Ausgangspegel an den (Aufnahme-)Buchsen LINE 2 OUT.

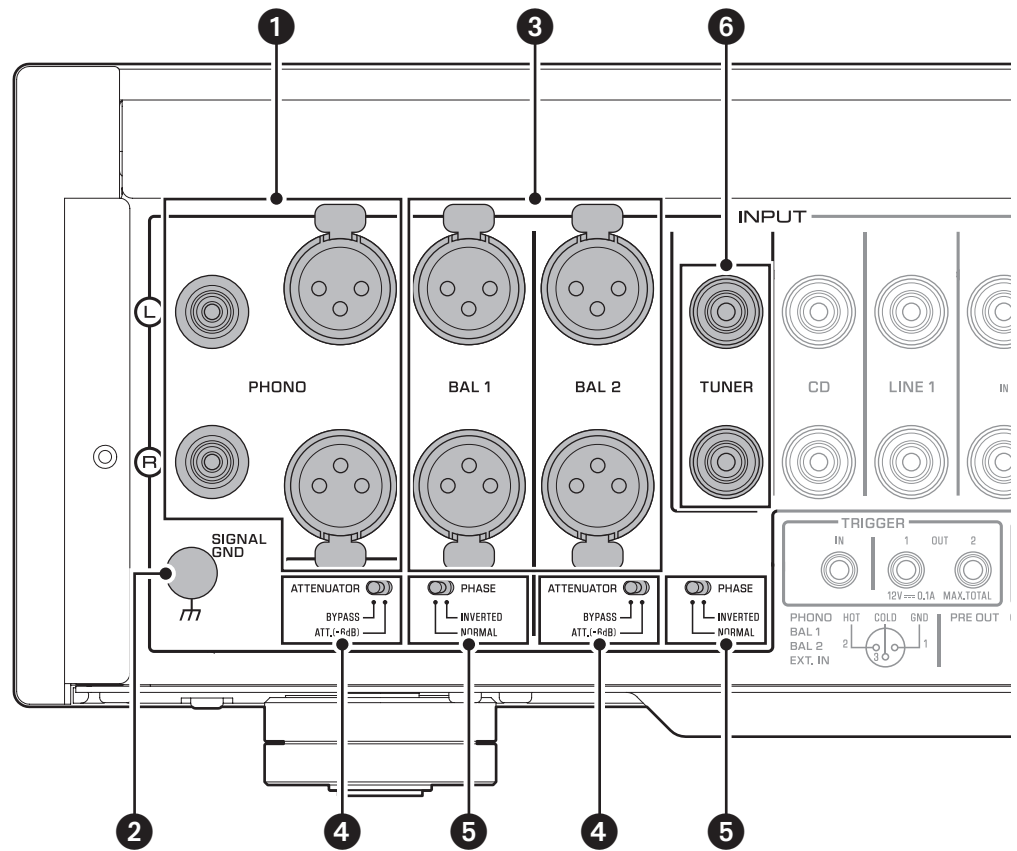
Hinweis

Der Regler VOLUME beeinflusst den Lautstärkepegel nicht, wenn EXT. DIRECT als Eingangsquelle ausgewählt wurde. Stellen Sie den Lautstärkepegel mit dem Lautstärkeregler des an den Buchsen EXT. IN angeschlossenen externen Verstärkers oder anderen Geräts ein.

16 Füße

Die Füße können nach Bedarf verdreht werden, um das Gerät zu stabilisieren.

Rückwand



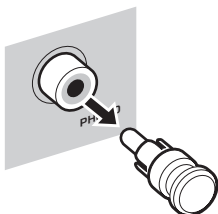
Hinweis

Informationen zu den Verbindungen finden sich unter „Verbindungen“ (Seite 99).

1 Buchsen PHONO

Es sind Cinch- und XLR-Buchsen verfügbar. Steht der Wahlschalter INPUT auf PHONO, sind die an den Cinch-Buchsen PHONO anliegenden Signale die Eingangsquelle. Steht der Wahlschalter INPUT auf PHONO BAL, sind die an den XLR-Buchsen PHONO anliegenden Signale die Eingangsquelle.

Ihr Vorverstärker ist ab Werk mit Kurzschlusssteckern an den Cinch-Buchsen PHONO versehen. Nehmen Sie die Kurzschlussstecker ab, wenn Sie eine externe Komponente an diesen Buchsen anschließen möchten. Näheres hierzu siehe „Plattenspieler anschließen“ (Seite 102).



VORSICHT

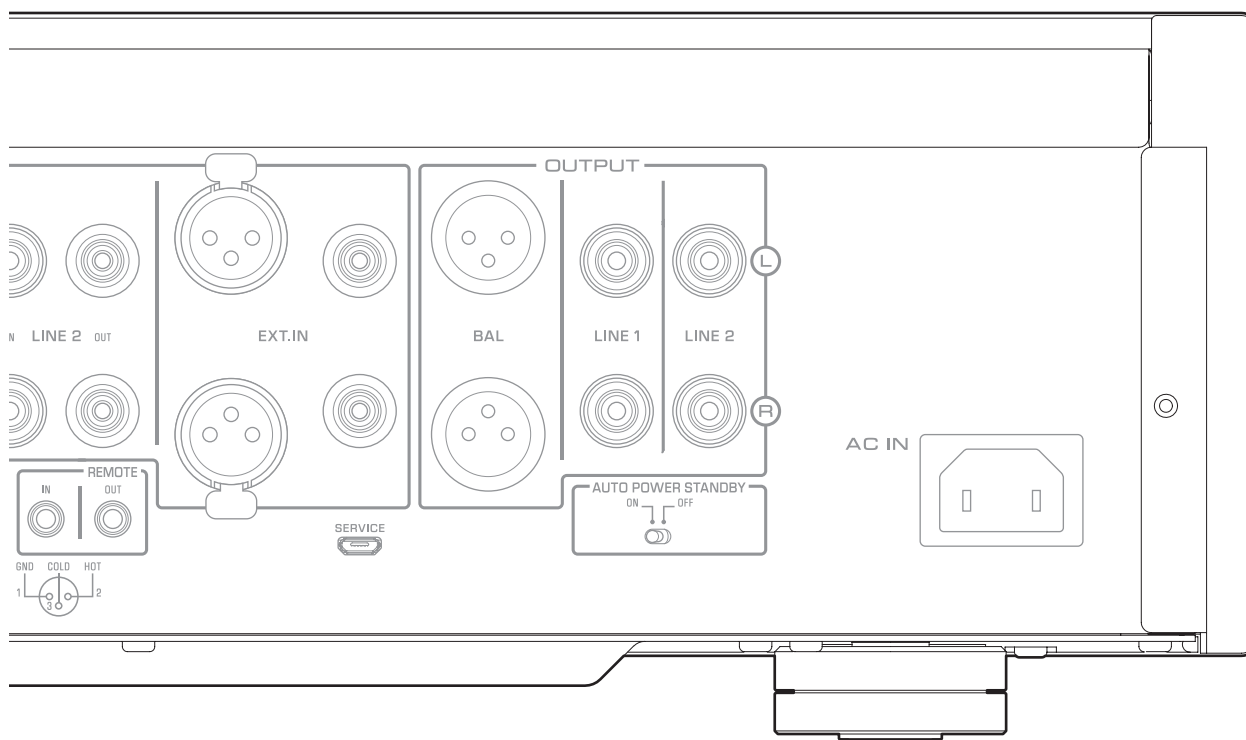
Behandeln Sie die Kurzschlussstecker vorsichtig. Lassen Sie Kinder nicht damit spielen, sodass sie diese nicht verschlucken.

ACHTUNG

- Die Kurzschlussstecker sind AUSSCHLIESSLICH für unbelegte EINGÄNGE vorgesehen. Falls sie an AUSGÄNGEN eingesteckt würden, könnten schwere Schäden an Ihren Geräten verursacht werden.
- Sollen die Cinch-Eingangsbuchsen PHONO nicht verwendet werden, stecken Sie die Kurzschlussstecker daran ein, um eine Beeinträchtigung des Audiosignals durch sporadisches Rauschen oder Störgeräusche zu verhindern.

2 Masseklemme SIGNAL GND

Wird ein Plattenspieler mit den Cinch-Eingangsbuchsen PHONO verbunden, muss er ebenfalls mit dieser Klemme verbunden werden. Dies kann Störgeräusche vermeiden.



3 BuchsenBAL 1/BAL 2

Es handelt sich hierbei um symmetrische XLR-Eingangsbuchsen. Steht der Wahlschalter INPUT auf BAL 1 oder BAL 2, sind die an den entsprechenden XLR-Buchsen anliegenden Signale die Eingangsquelle.

Hinweis

Stellen Sie die Wahlschalter ATTENUATOR und PHASE entsprechend den mit dem Gerät verbundenen Wiedergabegeräten ein.

4 Wahlschalter ATTENUATOR

Zum Einstellen des zulässigen Eingangspegels für die symmetrischen XLR-Eingangsbuchsen BAL 1 und BAL 2. Näheres hierzu siehe „Lautstärkepegel anpassen“ (Seite 110).

BYPASS: Der zulässige Eingangspegel bleibt unverändert. Es handelt sich hierbei um die Standardeinstellung.

ATT. (-6 dB): Die Eingangsverstärkung wird um 6 dB verringert, um den zulässigen Eingangspegel zu erhöhen. Wählen Sie diese Einstellung, wenn die Audioausgabe des angeschlossenen Geräts verzerrt klingt.

5 Wahlschalter PHASE

Zum Bestimmen der Belegung des heißen Pins (HOT) der symmetrischen XLR-Eingangsbuchsen BAL 1 und BAL 2.

NORMAL: Pin 2 ist heiß (HOT).

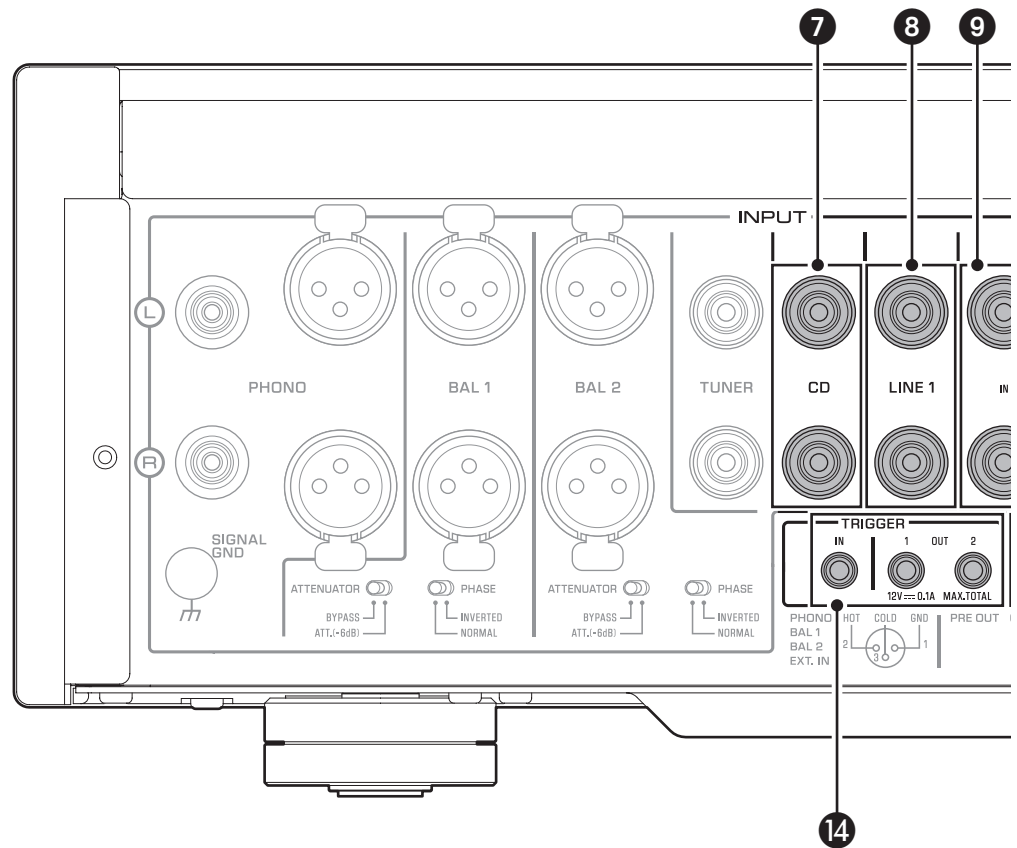
INV.: Pin 3 ist heiß (HOT).

Näheres hierzu siehe „Symmetrische und unsymmetrische Verbindungen“ (Seite 94).

6 Buchsen TUNER

Es handelt sich hierbei um Cinch-Eingangsbuchsen. Steht der Wahlschalter INPUT auf TUNER, sind die an diesen Buchsen anliegenden Signale die Eingangsquelle. Schließen Sie Ihren Tuner hier an.

Rückwand



7 Buchsen CD

Es handelt sich hierbei um Cinch-Eingangsbuchsen. Steht der Wahlschalter INPUT auf CD, sind die an diesen Buchsen anliegenden Signale die Eingangsquelle. Schließen Sie Ihren CD-Player hier an.

8 Buchsen LINE 1

Es handelt sich hierbei um Cinch-Eingangsbuchsen. Steht der Wahlschalter INPUT auf LINE 1, sind die an diesen Buchsen anliegenden Signale die Eingangsquelle.

9 Buchsen LINE 2 IN

Es handelt sich hierbei um Cinch-Eingangsbuchsen. Steht der Wahlschalter INPUT auf LINE 2, sind die an diesen Buchsen anliegenden Signale die Eingangsquelle.

10 (Aufnahme-)Buchsen LINE 2 OUT

Es handelt sich hierbei um Cinch-Ausgangsbuchsen für die Aufnahme. Diese Buchsen geben normalerweise die Signale der an der Frontblende oder mit der Fernbedienung ausgewählten Eingangsquelle aus. Informationen zu den Verbindungen finden sich unter „Aufnahmegerät anschließen“ (Seite 102).

Hinweis

- Verbinden Sie die Buchsen LINE 2 IN und die (Aufnahme-) Buchsen LINE 2 OUT mit demselben Gerät.
- Die (Aufnahme-)Buchsen LINE 2 OUT geben keine Signale aus, wenn der Wahlschalter INPUT auf LINE 2 steht oder der Schalter EXT. DIRECT gedrückt wurde.

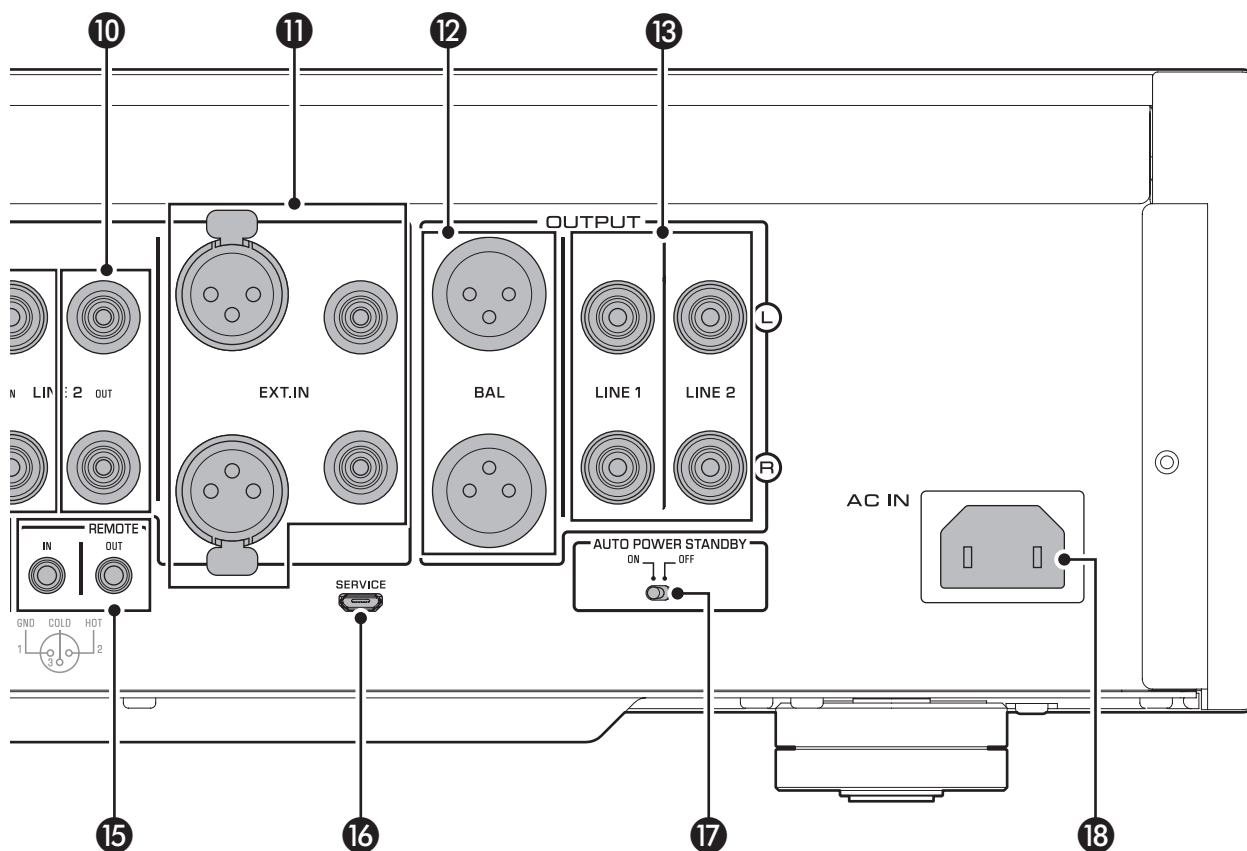
11 Buchsen EXT.IN

Diese Buchsen umfassen XLR- sowie Cinch-Eingangsbuchsen. Wurde der Schalter EXT. DIRECT gedrückt, sind die an diesen Buchsen anliegenden Signale die Eingangsquelle. Schließen Sie Ihren Vorverstärker hier an. Näheres hierzu siehe „Anderen Verstärker anschließen“ (Seite 103).



VORSICHT

Sie können den Lautstärkepegel der an den Buchsen EXT. IN anliegenden Signale nicht einstellen. Deshalb sollten die Buchsen EXT. IN nur mit einem Gerät mit Lautstärkeregelung verbunden werden.



Hinweis

Der Lautstärkepegel ist unveränderbar. Der Lautstärkepegel des Signals von den Buchsen EXT. IN lässt sich nicht mit dem Regler VOLUME oder dem Schalter GAIN an diesem Gerät einstellen. Stellen Sie den Lautstärkepegel mit dem Lautstärkereglern des an den Buchsen EXT. IN angeschlossenen Geräts ein.

12 Buchsen BAL

Es handelt sich hierbei um XLR-Ausgangsbuchsen. Verbinden Sie diese Buchsen mit den symmetrischen Eingangsbuchsen des Leistungsverstärkers.

13 Buchsen LINE 1/LINE 2

Es handelt sich hierbei um Cinch-Ausgangsbuchsen. Verbinden Sie diese Buchsen mit den Cinch-Eingangsbuchsen des Leistungsverstärkers.

14 Buchsen TRIGGER IN/TRIGGER OUT

Es handelt sich hierbei um Mono-Miniklinenstecker. Zum Anschließen externer Geräte, welche die Trigger-Funktion unterstützen. Näheres hierzu siehe „Trigger-Anschlüsse“ (Seite 104).

15 Buchsen REMOTE IN/REMOTE OUT

Es handelt sich hierbei um Mono-Miniklinenstecker. Zum Anschließen externer Geräte, welche die Remote-Funktion unterstützen. Näheres hierzu siehe „Remote-Verbindungen“ (Seite 105).

16 Buchse SERVICE

Zum Warten des Geräts. Wird normalerweise nicht verwendet.

17 Schalter AUTO POWER STANDBY

Zum Bestimmen, ob das Gerät automatisch in den Standby-Modus wechselt.

ON: Das Gerät wechselt automatisch in den Standby-Modus, wenn es nach dem Einschalten acht Stunden lang nicht bedient wird.

OFF: Das Gerät wechselt nicht automatisch in den Standby-Modus.

18 Buchse AC IN

Zum Anschließen des mitgelieferten Netzkabels. Näheres hierzu siehe „Netzkabel anschließen“ (Seite 106).

Symmetrische und unsymmetrische Verbindungen

Dieses Gerät ist mit symmetrischen XLR-Buchsen sowie unsymmetrischen Cinch-Eingangsbuchsen versehen.

Hinweis

Setzen Sie zwischen zwei Geräten nicht gleichzeitig symmetrische und unsymmetrische Verbindungen ein. Dadurch würde eine Erdungsschleife entstehen, die Störungen und Geräusch erzeugen könnte.

Symmetrische Verbindung

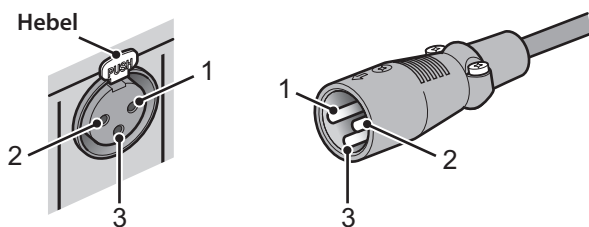
Eine symmetrische Verbindung soll unerwünschte Störgeräusche beseitigen und verhindern. Da längere Kabel dazu neigen, mehr Störgeräusche aufzunehmen, ist eine symmetrische Verbindung nützlich, wenn Sie lange Kabel verwenden müssen. Wenn Ihre Geräte symmetrische Ausgänge aufweisen, sollten Sie in der Regel symmetrische Verbindungen verwenden.

Buchsen für symmetrische Verbindungen

Die XLR-Buchsen an diesem Gerät werden für symmetrische Verbindungen verwendet. Die Eingangs- und Ausgangsbuchsen sind unterschiedlich ausgeführt. Eingangsbuchsen sind weiblich und Ausgangsbuchsen männlich ausgelegt. Für symmetrische Verbindungen werden symmetrische Kabel mit XLR-Buchsen verwendet. Verbinden Sie den männlichen Stecker des Kabels mit einer weiblichen Buchse am Gerät und den weibliche Stecker des Kabels mit einer männlichen Buchse am Gerät.

XLR-Buchse (weiblich)

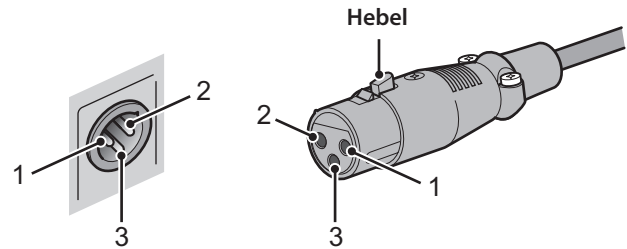
XLR-Stecker (männlich)



Achten Sie beim Anschließen eines Kabels an einer Eingangsbuchse darauf, die Stifte am Stecker auf die Löcher in der Buchse auszurichten und dass der Stecker hörbar in der Buchse einrastet. Halten Sie zum Lösen des Kabels den Hebel an der Eingangsbuchse gedrückt und ziehen Sie dabei den männlichen XLR-Stecker aus der Buchse.

XLR-Buchse (männlich)

XLR-Stecker (weiblich)



Achten Sie beim Anschließen eines Kabels an einer Ausgangsbuchse darauf, die Löcher im Stecker auf die Stifte an der Buchse auszurichten und dass der Stecker hörbar in der Buchse einrastet. Halten Sie zum Lösen des Kabels den Hebel am weiblichen XLR-Stecker gedrückt und ziehen Sie dabei den XLR-Stecker aus der Buchse.

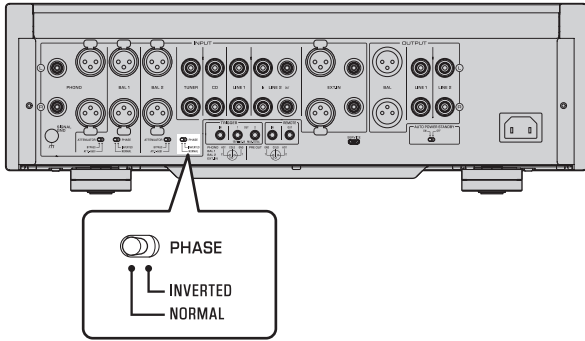
Polarität der symmetrischen Verbindung

Bei einer symmetrischen Verbindung müssen Sie die Polarität korrekt einstellen. Normalerweise ist Pin 2 heiß; alternativ kann aber Pin 3 heiß sein. Beziehen Sie sich auf die Bedienungsanleitung des angeschlossenen Geräts, um ausfindig zu machen, welcher Pin der Ausgangsbuchse heiß ist.

Bestimmen Sie die Polarität der Eingangsbuchsen BAL 1 und BAL 2 mit dem Wahlschalter PHASE an der Rückwand.

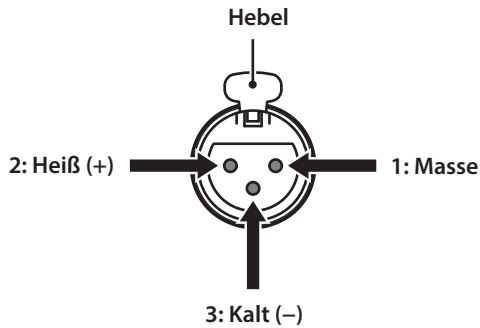
Hinweis

- Die Buchsen PHONO und EXT. IN weisen keinen Schalter PHASE auf. Die Pinbelegung dieser Buchsen ist standardmäßig und unveränderbar.
- Bei Yamaha Playern ist Pin 2 heiß.



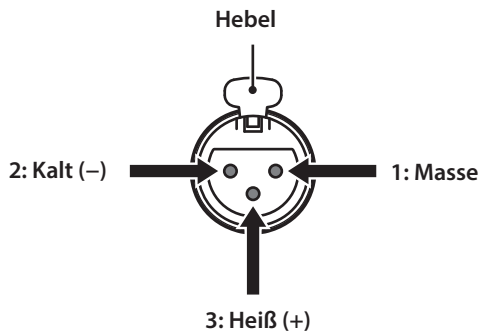
Steht der Wahlschalter PHASE auf NORMAL, ist Pin 2 heiß.

XLR-Eingangsbuchse

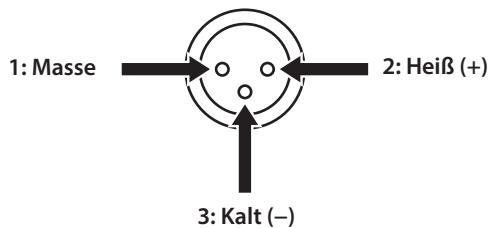


Steht der Wahlschalter PHASE auf INVERTED, ist Pin 3 heiß.

XLR-Eingangsbuchse

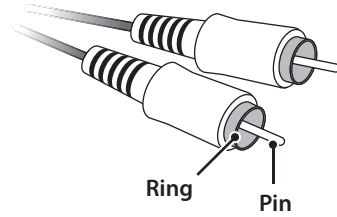


XLR-Ausgangsbuchse

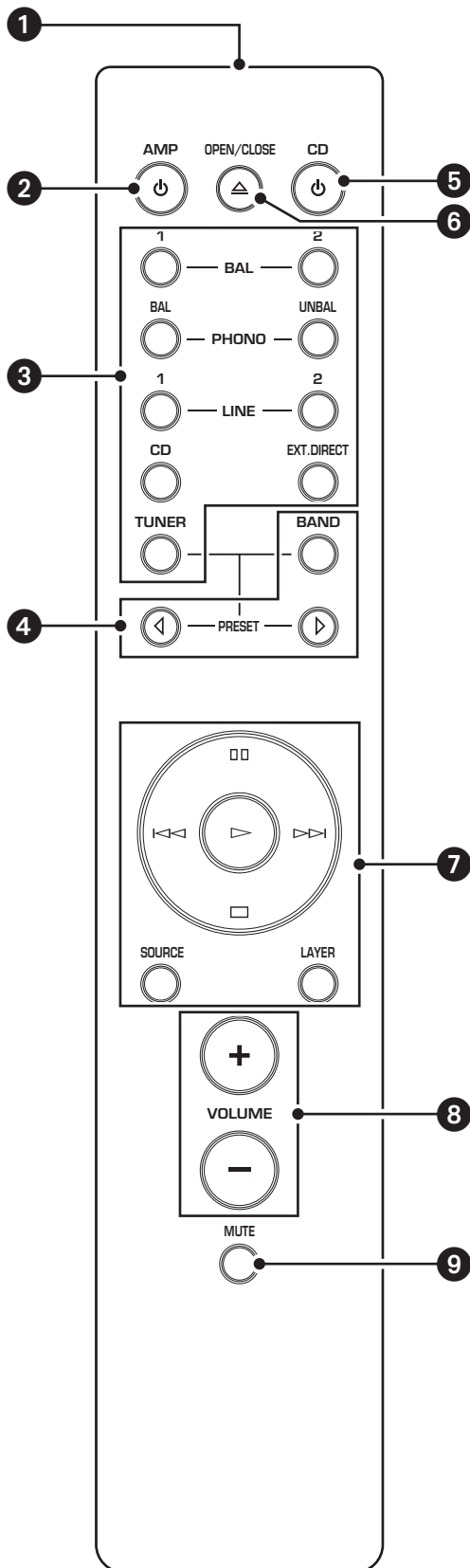


Unsymmetrische Verbindung

Verwenden Sie zum Anschließen eines Audiogeräts, das nur über Standard-Cinch-Buchsen verfügt, die Cinch-Buchsen an diesem Gerät für unsymmetrische Verbindungen. Für unsymmetrische Verbindungen werden unsymmetrische Kabel mit Cinch-Steckern verwendet. Diese Buchsen und Stecker weisen keine männliche und weibliche Bauform oder Polaritätsunterschiede auf.



Fernbedienung



1 Infrarotsender

Sendet Infrarot-Steuersignale an das Gerät.

2 Taste AMP

Zum Einschalten des Geräts bzw. zum Umschalten in den Standby-Modus. Näheres zum Standby-Modus siehe „Frontblende“ (Seite 86).

3 Eingangsauswahltasten

Zum Auswählen der wiederzugebenden Eingangsquelle.

BAL: Zum Auswählen des an der XLR-Buchse BAL 1 oder BAL 2 angeschlossenen Geräts als Eingangsquelle.

PHONO: Zum Auswählen des an den (XLR- oder Cinch-) Buchsen PHONO angeschlossenen Plattenspielers als Eingangsquelle. Drücken Sie die Taste BAL, um die Quelle an den XLR-Buchsen auszuwählen, bzw. die Taste UNBAL, um die Quelle an den Cinch-Buchsen auszuwählen.

LINE: Zum Auswählen des an den Cinch-Buchsen LINE 1 oder LINE 2 angeschlossenen Geräts als Eingangsquelle.

EXT. DIRECT: Zum Auswählen des an den Buchsen EXT. IN angeschlossenen Geräts als Eingangsquelle. Wird EXT. DIRECT ausgewählt, werden keine Audiosignale an den Buchsen LINE 2 OUT oder PHONES ausgegeben.



CD: Zum Auswählen des an den Cinch-Buchsen CD angeschlossenen Geräts (normalerweise ein CD-Player) als Eingangsquelle.

TUNER: Zum Auswählen des an den Cinch-Buchsen TUNER angeschlossenen Geräts (normalerweise ein Tuner) als Eingangsquelle.

Hinweis

Die Audiosignale der ausgewählten Eingangsquelle werden an den (Aufnahme-)Buchsen LINE 2 OUT ausgegeben. Wird LINE 2 als Eingangsquelle ausgewählt, werden keine Audiosignale an den (Aufnahme-)Buchsen LINE 2 OUT ausgegeben.

4 Tuner-Steuertasten

Zum Steuern der Funktionen eines angeschlossenen Yamaha Tuners. Schalten Sie mit der Taste BAND den Empfangsbereich um, und wählen Sie mit der Taste PRESET   einen Festsender aus. Einzelheiten hierzu finden sich in der Anleitung des Tuners.

Hinweis

Gewisse Yamaha Tuner-Modelle unterstützen die Funktionen dieser Tasten möglicherweise nicht.

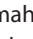

5 Taste CD

Zum Einschalten eines angeschlossenen Yamaha CD-Players bzw. zum Umschalten in den Standby-Modus.

6 Taste OPEN/CLOSE

Öffnet/Schließt die Disc-Lade eines angeschlossenen Yamaha CD-Players. Einzelheiten hierzu finden sich in der Anleitung des CD-Players.

Hinweis

Gewisse Yamaha CD-Player-Modelle unterstützen die Funktionen der Tasten  CD und  OPEN/CLOSE möglicherweise nicht.


7 CD-Player-Steuertasten

Zum Steuern der Funktionen eines angeschlossenen Yamaha CD-Players. Einzelheiten hierzu finden sich in der Anleitung des CD-Players.

(Wiedergabe)

Zum Starten der Wiedergabe.

(Pause)

Zum Abbrechen der Wiedergabe. Drücken Sie  oder , um die Wiedergabe fortzusetzen.

(Stopp)

Zum Stoppen der Wiedergabe.

(Sprung)

Springt zum nächsten Titel bzw. zurück zum Anfang des aktuellen Titels.

Taste SOURCE

Zum Auswählen der vom Yamaha CD-Player wiederzugebenden Quelle. Die Wiedergabequelle wechselt mit jeder Betätigung der Taste.

Taste LAYER

Zum Umschalten der Wiedergabe-Layer einer Hybrid Super Audio CD zwischen „Super audio CD“ und „CD“.

Hinweis

Gewisse Yamaha CD-Player-Modelle unterstützen die Funktionen dieser Tasten möglicherweise nicht.

8 Tasten VOLUME +/-

Zum Anpassen des Lautstärkepegels.

Hinweis

Die Tasten VOLUME +/- der Fernbedienung beeinflussen den Lautstärkepegel nicht, wenn EXT. DIRECT als Eingangsquelle ausgewählt wurde. Stellen Sie den Lautstärkepegel mit dem Lautstärkereglern an den Buchsen EXT. IN angeschlossenen externen Verstärkers ein.

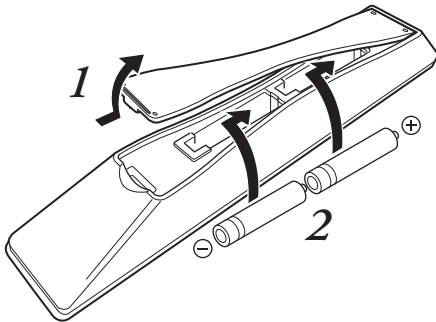
9 Taste MUTE

Zum Reduzieren des aktuellen Lautstärkepegels um ca. 20 dB. Erneutes Drücken der Taste bringt die Audioausgabe auf den vorherigen Lautstärkepegel zurück. Drücken einer Taste VOLUME +/- der Fernbedienung hebt ebenfalls die Stummschaltung auf.

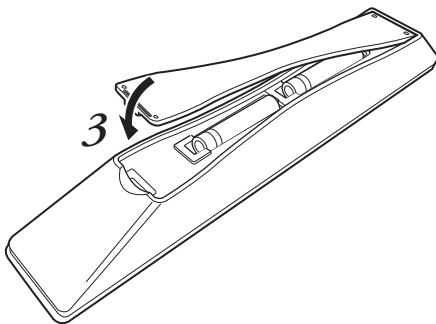
Batterien in die Fernbedienung einsetzen

1 Nehmen Sie den Batteriefachdeckel ab.

2 Setzen Sie die beiden mitgelieferten Batterien (Mikro, AAA, R03, UM-4) entsprechend der im Batteriefach angegebenen Polarität (+ und -) ein.



3 Bringen Sie den Batteriefachdeckel wieder an.



WARNUNG

- Werfen Sie Batterien nicht ins offene Feuer und setzen Sie sie keinen hohen Temperaturen wie direktem Sonnenlicht oder offenem Feuer aus. Andernfalls könnte die Batterie explodieren und einen Brand oder Verletzungen verursachen.
- Versuchen Sie nicht, nicht wiederaufladbare Batterien aufzuladen. Andernfalls könnten die Batterien explodieren oder auslaufen und Blindheit, Verätzungen oder Verletzungen verursachen.
- Berühren Sie auslaufende Batterieflüssigkeit nicht. Andernfalls könnte Blindheit oder Verätzungen erfolgen. Sollten Augen, Mund oder Haut mit der Flüssigkeit in Kontakt kommen, sofort gründlich mit Wasser spülen und einen Arzt aufsuchen.

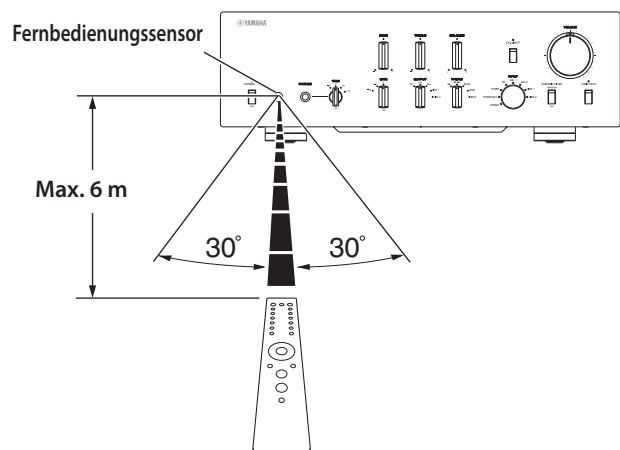


VORSICHT

- Verwenden Sie nicht gleichzeitig neue und alte Batterien. Andernfalls könnte auslaufende Batterieflüssigkeit einen Brand, Verbrennungen oder Reizungen verursachen.
- Verwenden Sie nicht gleichzeitig verschiedene Arten von Batterien. Werden beispielsweise eine Alkaline-Batterie und eine Mangan-Batterie oder Batterien verschiedener Hersteller oder mit unterschiedlichen Produktnummern gleichzeitig verwendet, könnte auslaufende Batterieflüssigkeit einen Brand, Verbrennungen oder Hautreizungen verursachen.
- Halten Sie Batterien außer Reichweite von Kindern. Andernfalls könnte ein Kind eine Batterie versehentlich verschlucken. Außerdem kann auslaufende Batterieflüssigkeit Hautreizungen verursachen.
- Setzen Sie die Batterien entsprechend der angegebenen Polarität (+ und -) ein. Andernfalls könnte auslaufende Batterieflüssigkeit einen Brand, Verbrennungen oder Hautreizungen verursachen.
- Wenn die Fernbedienung längere Zeit nicht benutzt werden soll oder die Batterien vollständig entladen sind, nehmen Sie die Batterien aus der Fernbedienung heraus. Andernfalls entladen sich Batterien und können auslaufen, was zu Hautreizungen oder Schäden an der Fernbedienung führen kann.

Bedienung der Fernbedienung

Zur Bedienung der Fernbedienung richten sie diese direkt auf den Fernbedienungssensor an der Frontblende des Geräts.



Verbindungen

In diesem Abschnitt wird erläutert, wie Sie das Gerät mit einer Audioquelle wie einen Tuner oder CD-Player und einen Leistungsverstärker verbinden.

**VORSICHT**

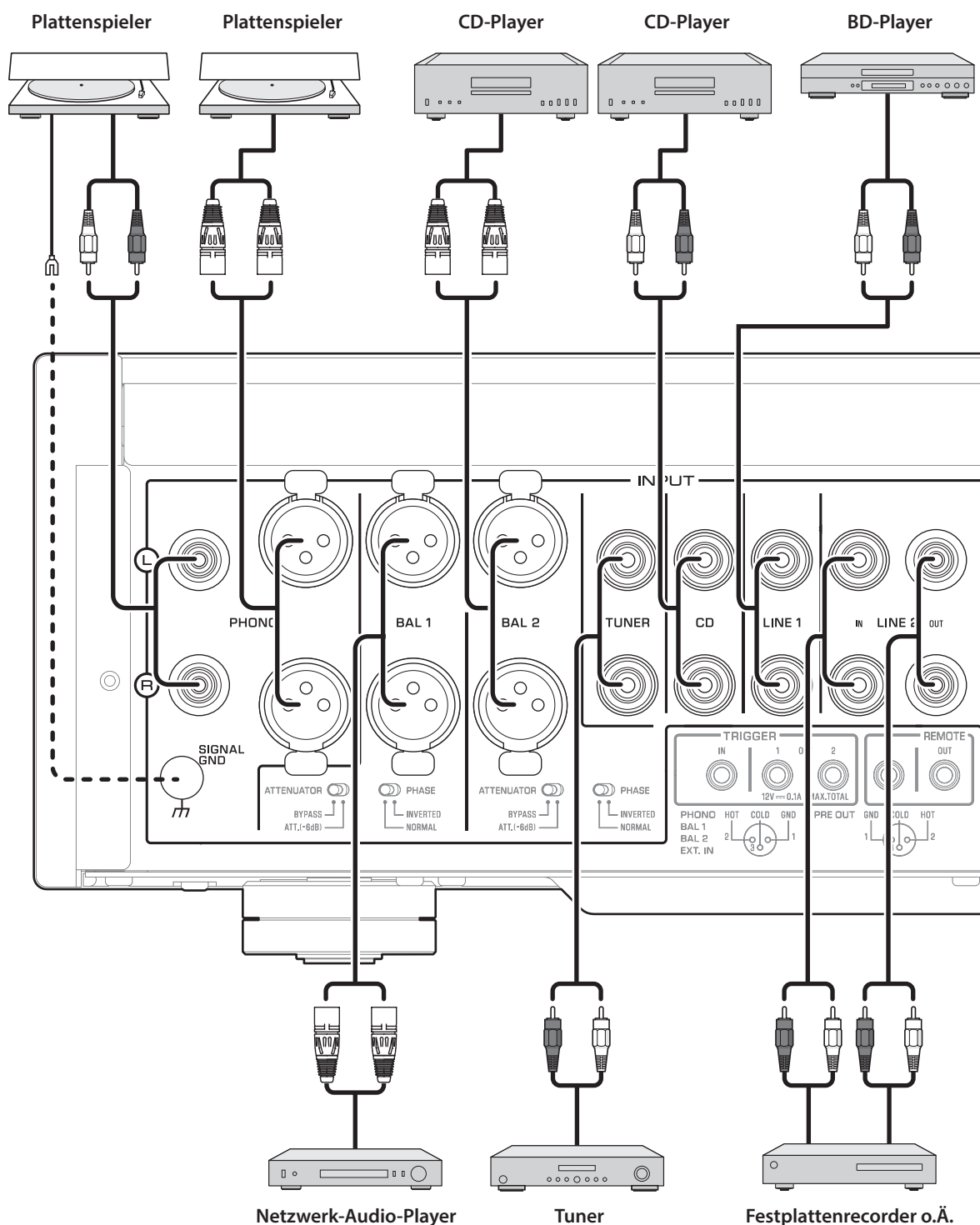
Schalten Sie alle Geräte aus, bevor Sie Verbindungen herstellen.

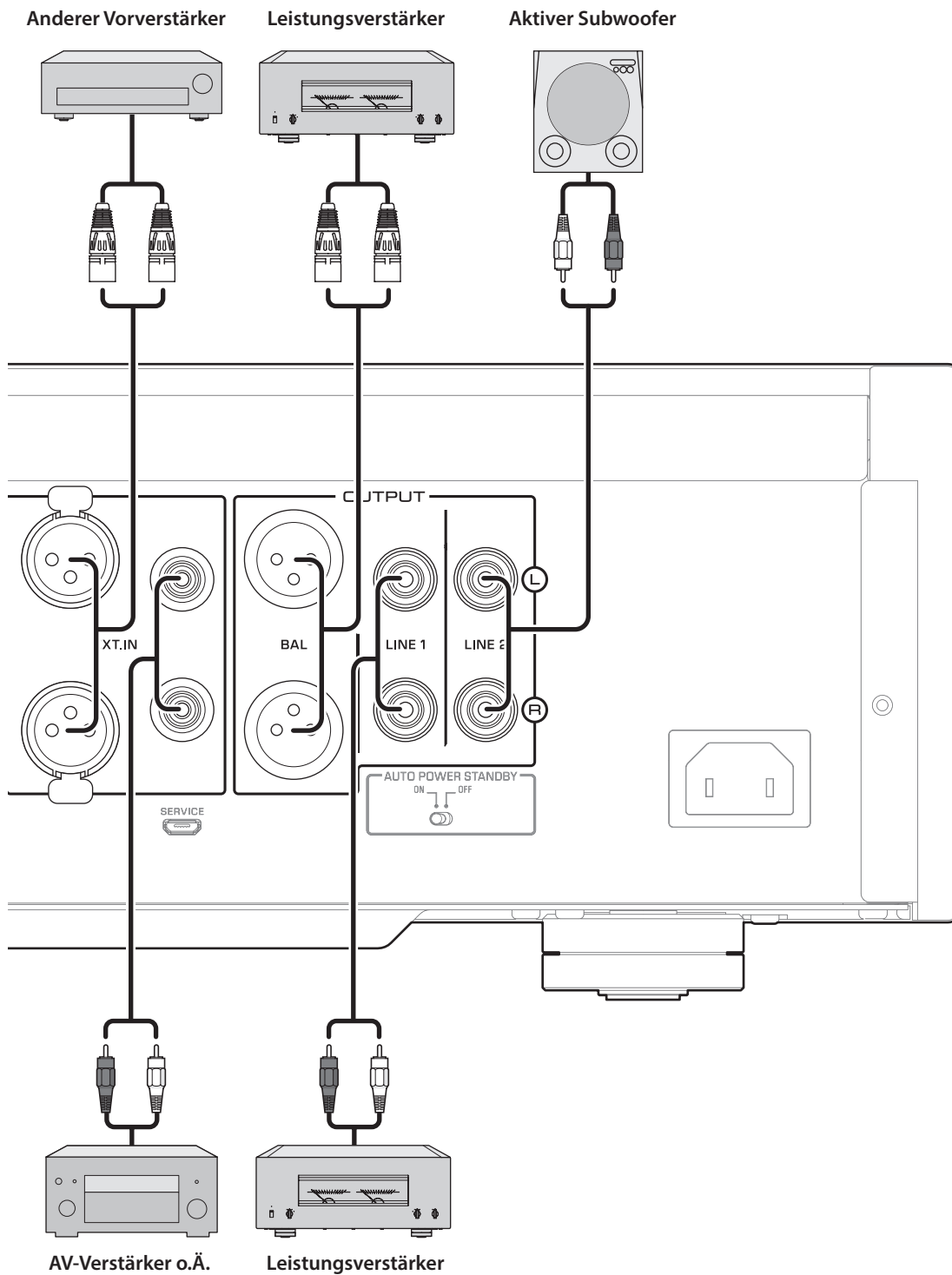
ACHTUNG

- Setzen Sie zwischen zwei Geräten nicht gleichzeitig symmetrische und unsymmetrische Verbindungen ein. Dadurch würde eine Erdungsschleife entstehen, die Störungen und Geräusch erzeugen könnte.
- Schließen Sie externe Geräte entsprechend deren Bedienungsanleitungen an. Andernfalls könnte dieses Gerät oder die externe Komponente Störungen erleiden.

C-5000

Externes Gerät anschließen





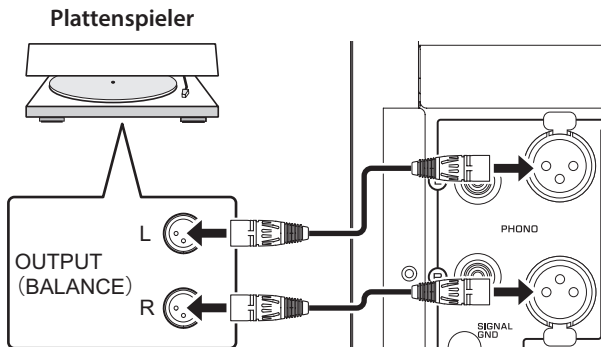
ACHTUNG

Setzen Sie zwischen zwei Geräten nicht gleichzeitig symmetrische und unsymmetrische Verbindungen ein. Dadurch würde eine Erdungsschleife entstehen, die Störungen und Geräusch erzeugen könnte.

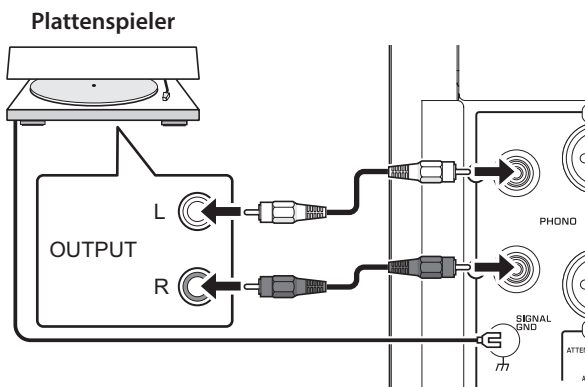
Plattenspieler anschließen

Verbinden Sie den Plattenspieler mit der Buchse PHONO dieses Geräts. Dieses Gerät ist mit symmetrischen XLR-Buchsen sowie unsymmetrischen Cinch-Eingangsbuchsen versehen.

Symmetrische Verbindung



Unsymmetrische Verbindung



Hinweis

Bei Verbindung des Plattenspielers mit den Cinch-Buchsen dieses Geräts, testen Sie den Sound mit und ohne Verbindung mit der (Masse-)Klemme SIGNAL GND, um ausfindig zu machen, welche Option störungsfreier ist.

ACHTUNG

Setzen Sie zwischen diesem Gerät und dem Plattenspieler nicht gleichzeitig symmetrische und unsymmetrische Verbindungen ein. Dadurch würde eine Erdungsschleife entstehen, die Störungen und Geräusch erzeugen könnte.

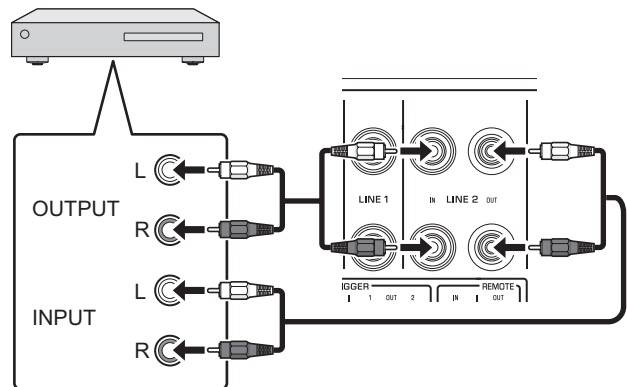
Aufnahmegerät anschließen

Sie können ein Aufnahmegerät wie einen Festplattenrecorder am Gerät anschließen, um die Audioeingabe vom Gerät aufzuzeichnen. Verbinden Sie das Aufnahmegerät mit den Buchsen LINE 2 IN sowie den (Aufnahme-)Buchsen LINE 2 OUT.

Hinweis

- Sie müssen die Buchsen LINE 2 IN und die (Aufnahme-)Buchsen LINE 2 OUT mit demselben Gerät verbinden.
- Das Signal von den (Aufnahme-)Buchsen LINE 2 OUT ist im Wesentlichen identisch mit dem Signal von den mit dem Wahlschalter OUTPUT ausgewählten Ausgangsbuchsen. Steht der Wahlschalter INPUT auf LINE 2, wird an den (Aufnahme-)Buchsen LINE 2 OUT kein Signal ausgegeben.

Festplattenrecorder o.Ä.



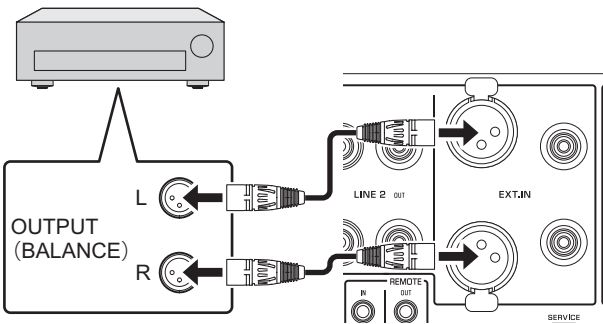
Anderen Verstärker anschließen

Wenn der Ausgang eines anderen Vorverstärkers mit den Buchsen EXT. IN dieses Geräts verbunden ist und Sie den Schalter EXT. DIRECT drücken, wird das Quellensignal durch das Gerät geleitet und an den angeschlossenen Leistungsverstärker ausgegeben. Das an den symmetrischen Buchsen EXT. IN eingegebene Quellensignal wird an den symmetrischen Buchsen BAL ausgegeben. Das an den unsymmetrischen Buchsen EXT. IN eingegebene Quellensignal wird an den Buchsen LINE 1 und LINE 2 ausgegeben.

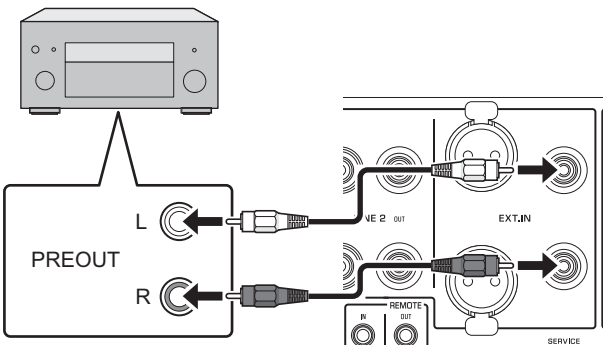
Hinweis

Wird der Schalter EXT. DIRECT eingeschaltet, wird kein Ton an den an der Buchse PHONES angeschlossenen Kopfhörern ausgegeben.

Anderer Vorverstärker



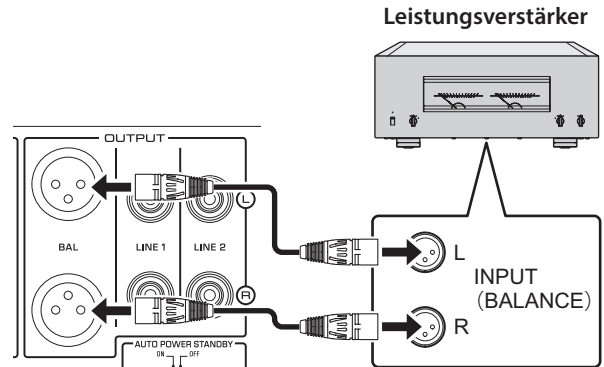
AV-Verstärker o.Ä.



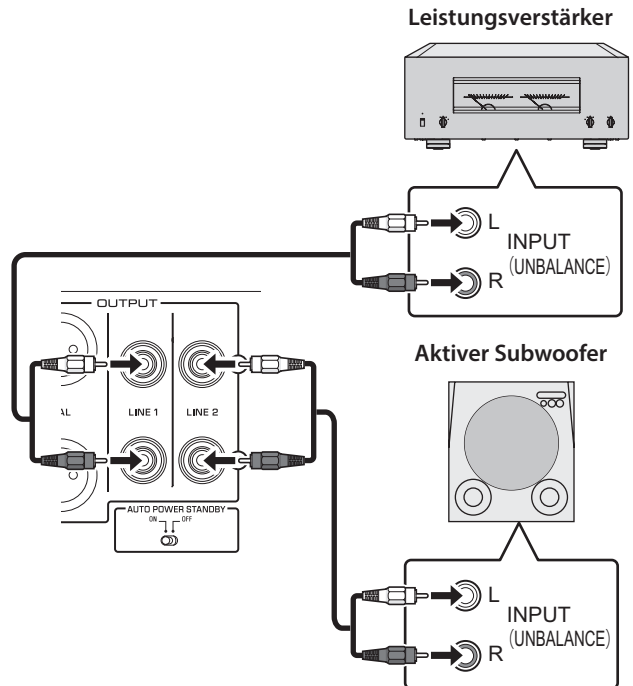
Leistungsverstärker und aktiven Subwoofer anschließen

Sie können einen Leistungsverstärker und einen aktiven Subwoofer an den Ausgangsbuchsen BAL, LINE 1 oder LINE 2 dieses Geräts anschließen.

Symmetrische Verbindung



Unsymmetrische Verbindung



ACHTUNG

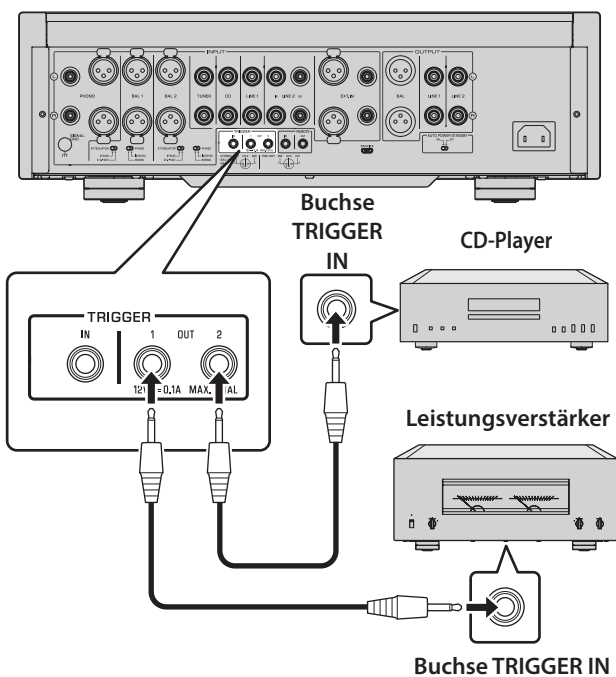
Setzen Sie zwischen zwei Geräten nicht gleichzeitig symmetrische und unsymmetrische Verbindungen ein. Dadurch würde eine Erdungsschleife entstehen, die Störungen und Geräusch erzeugen könnte.

Trigger-Anschlüsse

Synchrones Ein-/Ausschalten eines mit diesem Gerät verbundenen Geräts wie ein Leistungsverstärker

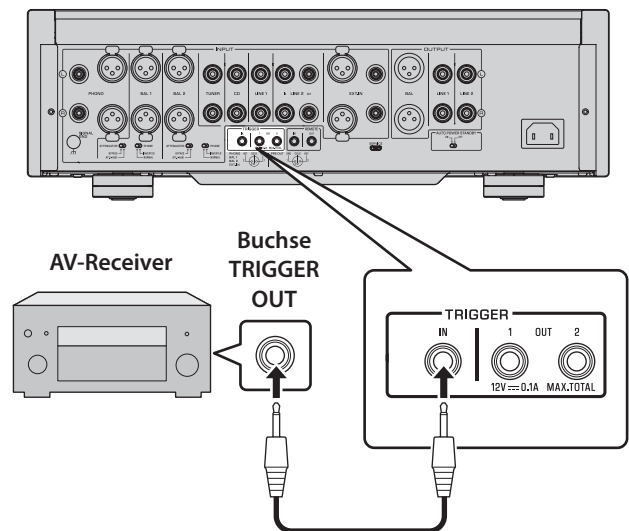
Sie können ein mit diesem Gerät verbundenes Gerät wie ein Yamaha CD-Player oder Leistungsverstärker synchron mit diesem Gerät ein- und ausschalten.

Verbinden Sie die Buchse TRIGGER OUT des Geräts mit der Buchse TRIGGER IN des angeschlossenen Geräts mit einem Systemkabel.



Synchrones Ein-/Ausschalten dieses Geräts mit einem verbundenen Gerät wie ein AV-Receiver

Sie können dieses Gerät mit einem verbundenen Gerät wie ein Yamaha AV-Receiver synchron ein- und ausschalten. Verbinden Sie die Buchse TRIGGER IN des Geräts mit der Buchse TRIGGER OUT des angeschlossenen Geräts mit einem optionalen Systemkabel. Wenn sich dieses Gerät im Standby-Modus befindet, wird es beim Einschalten des angeschlossenen Geräts eingeschaltet; außerdem wird das Signal an den Buchsen EXT. IN als Eingangsquelle ausgewählt. Beim Ausschalten des angeschlossenen Geräts wird dieses Gerät in den Standby-Modus geschaltet.



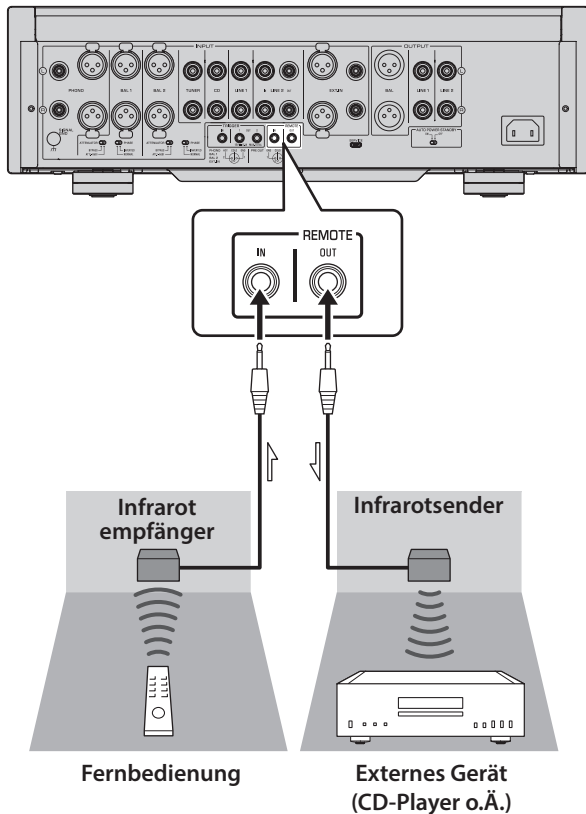
Hinweis

- Steht der Netzschalter dieses Geräts auf OFF, kann es nicht durch ein angeschlossenes Gerät über die Trigger-Funktion eingeschaltet werden.
- Es sei denn, die Eingangsquelle wird mit dem Schalter EXT. DIRECT ausgewählt, wird das Gerät nicht beim Ausschalten des angeschlossenen Geräts ausgeschaltet.

Remote-Verbindungen

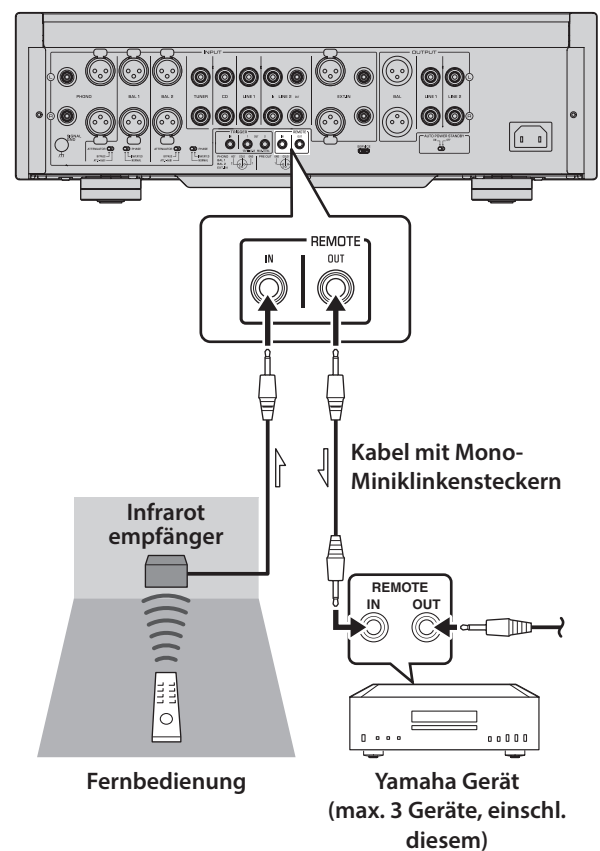
Bedienung des Geräts aus einem anderen Raum

Wenn Sie einen Infrarotempfänger und -sender mit den Buchsen REMOTE IN/OUT des Geräts verbinden, können Sie dieses und das externe Gerät mit der mitgelieferten Fernbedienung von einem anderen Raum aus bedienen.



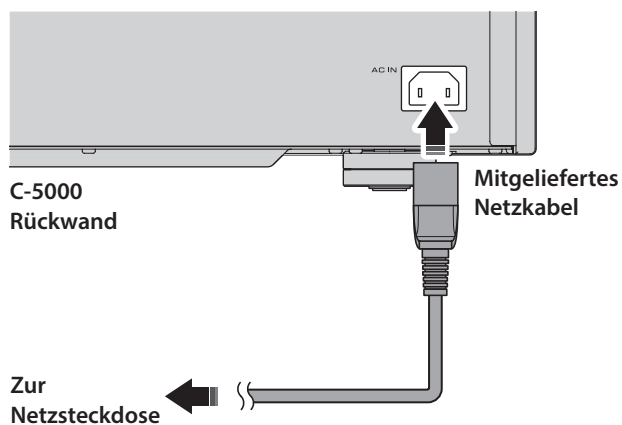
Remote-Verbindung zwischen Yamaha Geräten

Wenn Sie über ein anderes Yamaha Gerät verfügen, welches wie dieses Gerät Remote-Verbindungen unterstützt, ist kein Infrarotsender notwendig. Sie können Remote-Signale übertragen, indem Sie einen Infrarotempfänger mit der Buchse REMOTE IN dieses Geräts und die Buchse REMOTE OUT dieses Geräts mit der Buchse REMOTE OUT dieses anderen Geräts über Kabel mit Mono-Miniklinkensteckern verbinden. Bis zu drei Yamaha Geräte (einschließlich dieses) können mit Remote-Verbindungen eingerichtet werden.



Netzkabel anschließen

Vergewissern Sie sich nach Abschluss aller Verbindungen, dass der Netzschalter STANDBY/ON / OFF ausgeschaltet ist; stecken Sie dann das Netzkabel in die Buchse AC IN des Geräts und anschließend in eine Steckdose.



WARNUNG

- Sollte eine der folgenden Auffälligkeiten auftreten, schalten Sie das Gerät sofort aus und ziehen Sie den Netzstecker aus der Steckdose.
 - Das Netzkabel bzw. der Netzstecker ist beschädigt.
 - Das Gerät erzeugt Gerüche, seltsames Geräusch oder Rauch.
 - Eine Flüssigkeit oder ein Gegenstand ist in das Gerät eingedrungen.
 - Das Gerät wird im Betrieb plötzlich stummgeschaltet.
 - Das Gerät ist gerissen oder beschädigt.

Eine Weiterbenutzung des Geräts kann andernfalls einen Stromschlag, einen Brand oder eine Störung verursachen. Wenden Sie sich an den nächsten Yamaha Händler oder Kundendienst, um das Gerät prüfen bzw. reparieren zu lassen.

- Berühren Sie Netzkabel oder -stecker während eines Gewitters nicht. Andernfalls könnte ein Stromschlag erfolgen.
- Die Netzspannung der verwendeten Steckdose muss mit den Angaben auf dem Gerät übereinstimmen. Wird das Gerät an eine Steckdose mit ungeeigneter Spannung angeschlossen, könnte ein Brand, ein Stromschlag oder eine Störung erfolgen.
- Benutzen Sie ausschließlich das mitgelieferte Netzkabel. Das mitgelieferte Netzkabel nicht mit anderen Geräten verwenden. Andernfalls könnte ein Brand, eine Verbrennung oder ein Stromschlag erfolgen.
- Verbinden Sie das Gerät mit einer gut sichtbaren und bequem erreichbaren Steckdose, sodass Sie es im Notfall schnell und einfach getrennt werden kann. Das Gerät nimmt auch im ausgeschalteten Zustand noch eine minimale Strommenge auf, es sei denn, es wird von der Steckdose getrennt.

- Schalten Sie das Gerät bei einem aufziehenden Gewitter sofort aus und ziehen Sie den Netzstecker aus der Steckdose. Andernfalls könnte ein Brand oder eine Störung erfolgen.
- Wird das Gerät voraussichtlich längere Zeit nicht benutzt, sollten Sie das Netzkabel aus der Netzsteckdose abziehen. Andernfalls könnte ein Brand oder eine Störung erfolgen.



VORSICHT

- Verwenden Sie keine Steckdose, in welcher der Netzstecker nicht fest sitzen bleibt. Andernfalls könnte ein Brand, ein Stromschlag oder eine Verbrennung erfolgen.
- Greifen Sie zum Trennen des Netzkabel von der Steckdose immer den Stecker, nicht das Kabel. Andernfalls könnte das Netzkabel beschädigt und ein Stromschlag oder Brand verursacht werden.
- Stecken Sie den Netzstecker fest in die Steckdose ein. Wurde der Netzstecker nicht vollständig eingesteckt, könnte das Gerät einen Stromschlag verursachen. Außerdem kann auf dem Netzstecker angesammelter Staub einen Brand oder eine Verbrennung verursachen.

ACHTUNG

Wird das Gerät voraussichtlich längere Zeit nicht benutzt, sollten Sie das Netzkabel aus der Netzsteckdose abziehen. Auch wenn der Schalter STANDBY/ON / OFF ausgeschaltet ist (Netzanzeige leuchtet nicht), nimmt das Gerät eine minimale Strommenge auf.

Bedienung

In diesem Abschnitt werden die grundlegenden Bedienungsvorgänge erläutert.
Bedienen Sie das Gerät wie folgt, um dessen Funktionen zu nutzen.
Die folgenden Vorgänge sind lediglich Beispiele.

C-5000

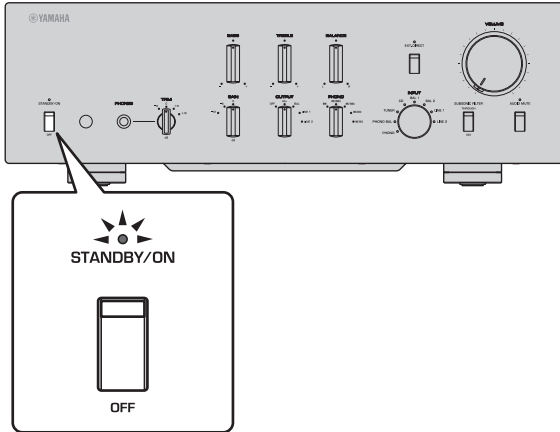
Einschalten



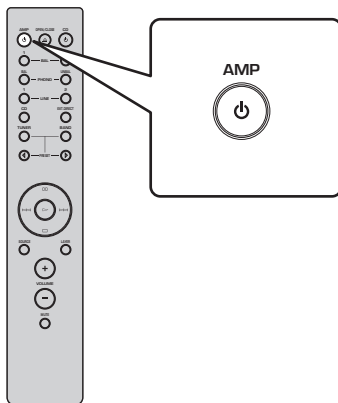
VORSICHT

Stellen Sie die Lautstärke auf Minimal, bevor Sie das Gerät einschalten.

Stellen Sie den Netzschalter STANDBY/ON / OFF an der Frontblende auf STANDBY/ON, um das Gerät einzuschalten.



Wenn sich das Gerät im Standby-Modus befindet, können Sie es auch mit der Fernbedienung einschalten.



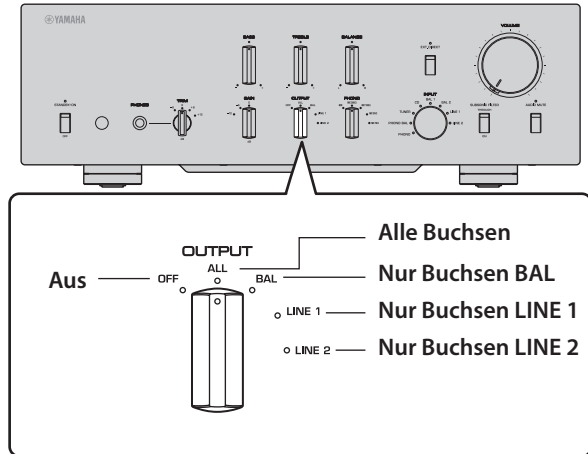
ACHTUNG

Schalten Sie Ihre Geräte in der folgenden Reihenfolge ein: Leistungsverstärker, Vorverstärker (dieses Gerät), andere Geräte (wie CD-Player und Tuner).

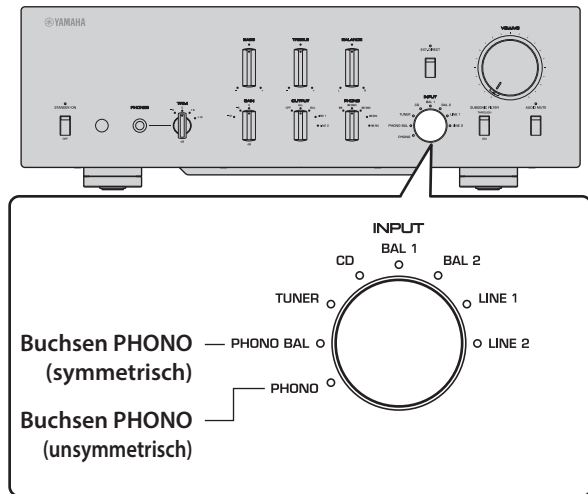
Kehren Sie diese Reihenfolge zum Ausschalten um.

Eingang und Ausgang auswählen

Wählen Sie mit dem Wahlschalter OUTPUT einen Satz Ausgangsbuchsen.

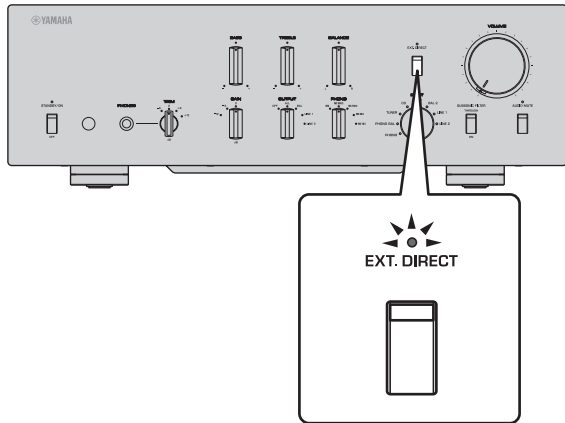


Wählen Sie mit dem Wahlschalter INPUT eine Audioquelle.



Die entsprechenden Anzeigen leuchten auf.

Eingabe von den Buchsen EXT. IN auswählen



Drücken Sie den Schalter EXT. DIRECT. Die Anzeige EXT. DIRECT leuchtet auf. Die Einstellung des Wahlschalters INPUT wird deaktiviert, und die an den Buchsen EXT. IN eingegebene Audioquelle wird an einem Satz Ausgangsbuchsen ausgegeben. Das an den symmetrischen Eingangsbuchsen eingegebene Quellensignal wird an den symmetrischen Ausgangsbuchsen BAL ausgegeben. Das an den Buchsen LINE eingegebene Quellensignal wird an den Ausgangsbuchsen LINE 1 und LINE 2 ausgegeben. Wird der Schalter EXT. DIRECT erneut gedrückt oder der Wahlschalter INPUT gedreht, wird das durch den Wahlschalter INPUT ausgewählte Signal zur Eingangsquelle. Die Anzeige EXT. DIRECT erlischt.

Hinweis

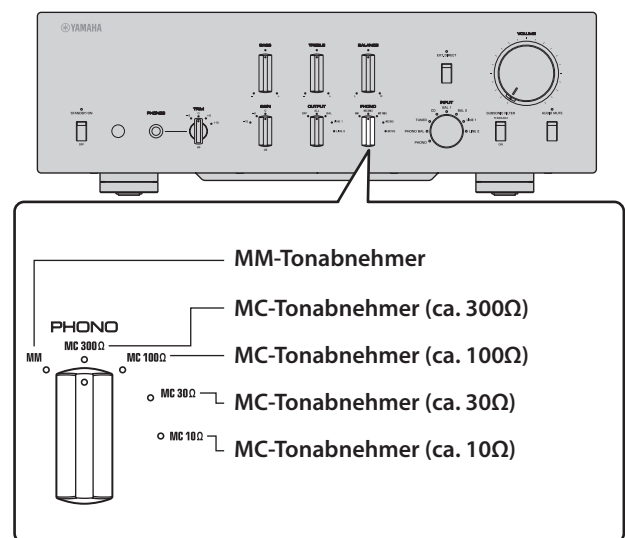
Wenn EXT. DIRECT ausgewählt ist, wird an den (Aufnahme-) Buchsen LINE 2 OUT und an der Buchse PHONES kein Signal ausgegeben.

Einstellung des Plattenspieler- Eingangs anpassen

Wahlschalter PHONO

Stellen Sie den Wahlschalter PHONO entsprechend dem Tonabnehmers des Plattenspielers ein.

Wahlmöglichkeiten für Plattenspieler- Tonabnehmer



VORSICHT

Ist der Plattenspieler mit einem MM-Tonabnehmer versehen, muss der Wahlschalter PHONO auf MM gestellt werden.

Hinweis

Die Impedanzangaben am Wahlschalter PHONO sind Näherungswerte. Testen Sie den Sound mit verschiedenen Impedanzeinstellungen, um ausfindig zu machen, welche Option besser ist.

ACHTUNG

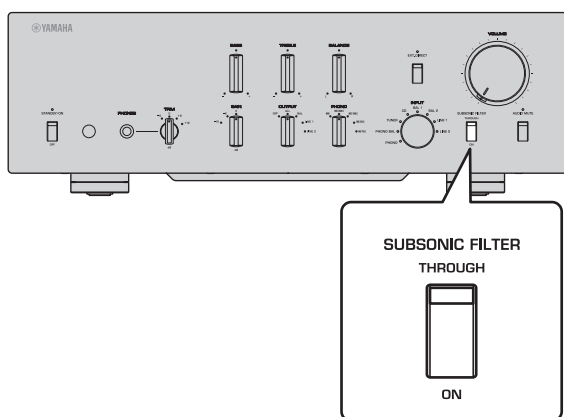
Vor dem Austauschen des Tonabnehmers müssen Sie dieses Gerät ausschalten.

Lautstärkepegel anpassen

Subsonic-Filter

Schalten Sie den Schalter SUBSONIC FILTER ein, um den Subsonic-Filter nach Bedarf zu aktivieren.

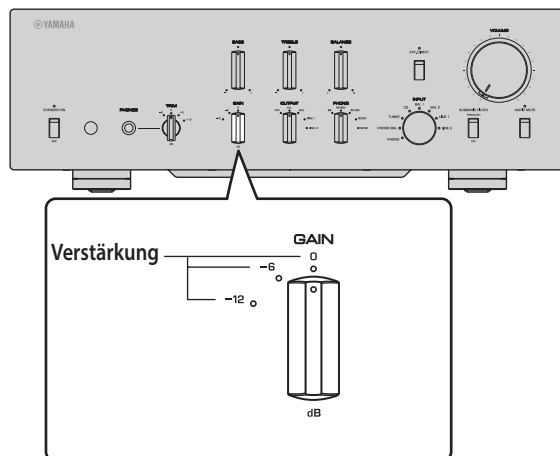
Ein resonierender Plattenspieler-Tonarm oder eine verzogene Schallplatte kann ein sehr niederfrequentes Dröhnen (Infraschall) verursachen, was die Lautsprecher belasten und beschädigen könnte. Der Subsonic-Filter kann solche Geräusche unterdrücken, um die Lautsprecher zu schützen.



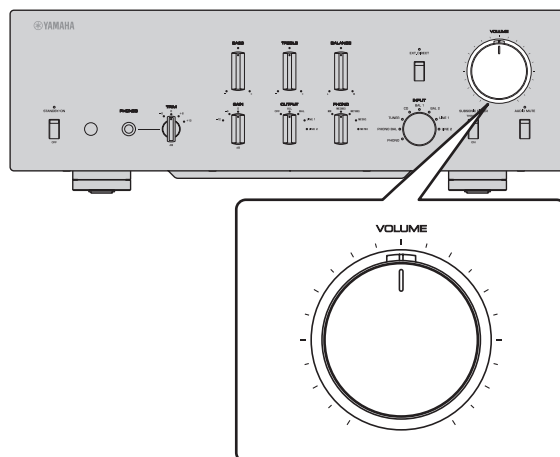
Hinweis

Der Subsonic-Filter wird deaktiviert, wenn eine andere Audioquelle als der an den Buchsen PHONO angeschlossene Plattenspieler als Eingangsquelle gewählt wird, auch wenn der Schalter SUBSONIC FILTER eingeschaltet ist.

Stellen Sie die Verstärkung mit dem Wahlschalter GAIN ein, sodass Sie Feineinstellungen der Lautstärke vornehmen können.

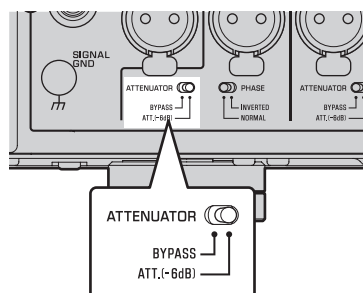


Stellen Sie den Lautstärkepegel mit dem Regler VOLUME ein.



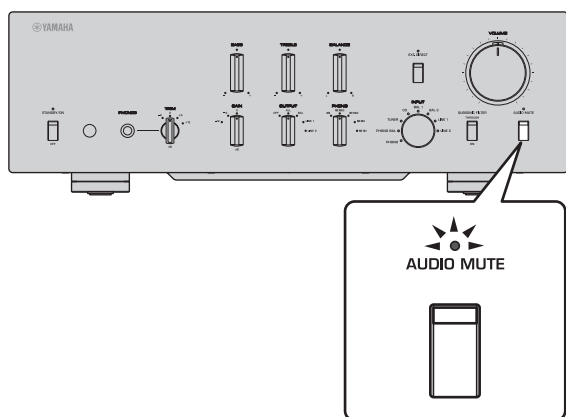
Hinweis

Falls Sie, auch wenn der Regler VOLUME abgedreht ist, immer noch Verzerrungen hören, mag das Signal den zulässigen Eingangspegel überschreiten. Wenn die Audioquelle an den symmetrischen Eingangsbuchsen (BAL 1 oder BAL 2) angeschlossen ist, stellen Sie den Wahlschalter ATTENUATOR auf ATT. (-6 dB).



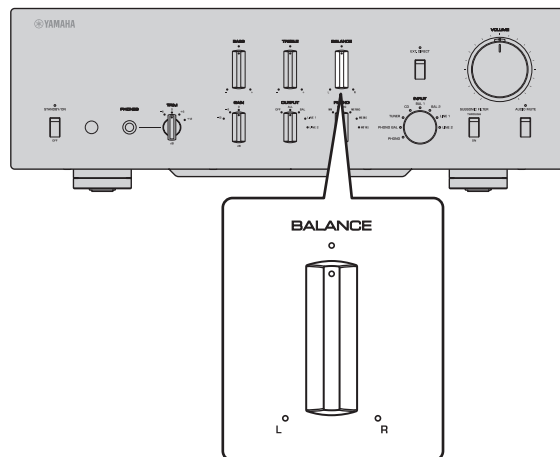
Lautstärkepegel vorübergehend senken

Drücken Sie den Schalter AUDIO MUTE, um den aktuellen Lautstärkepegel um ca. 20 dB zu reduzieren. Drücken Sie den Schalter erneut, um die Audioausgabe auf den vorherigen Lautstärkepegel zurückzubringen.

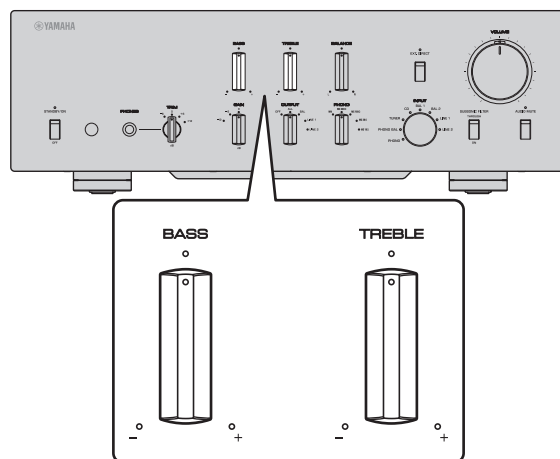


Ton einstellen

Stellen Sie die Lautstärkebalance zwischen den linken und rechten Lautsprechern mit dem Regler BALANCE ein.



Stellen Sie den Pegel der Hoch- und Tieffrequenzbereiche mit den Reglern BASS und TREBLE ein.

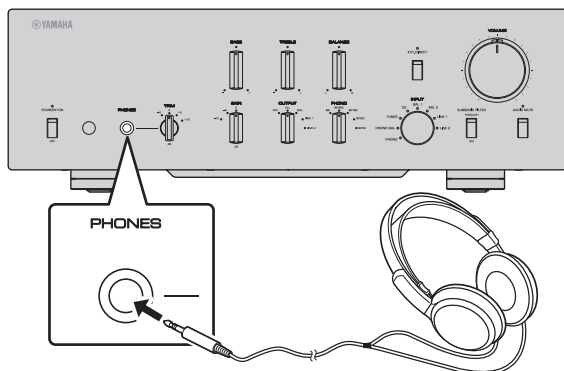


Hinweis

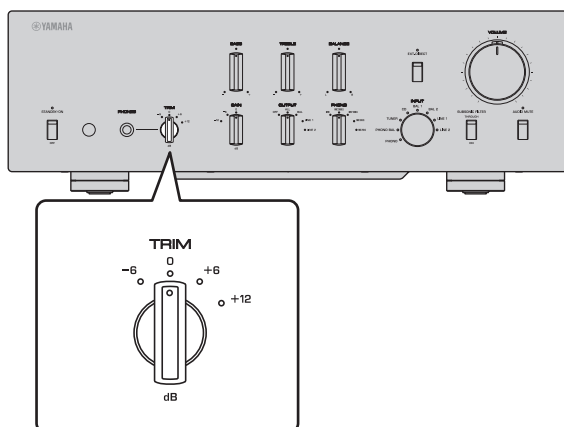
- Wenn die Regler BASS und TREBLE beide in der Mittelstellung sind, wird umgeht das Audiosignal den Klangregelkreis die Klangregelungsschaltung.
- Die Einstellung der Regler BASS, TREBLE und BALANCE wirkt sich nicht auf die Eingangssignale an den Buchsen EXT. IN oder auf die Ausgangssignale an den (Aufnahme-) Buchsen LINE 2 OUT aus.

Kopfhörer anschließen

Sind Kopfhörer an der Buchse PHONES angeschlossen, wird kein Signal an den Ausgangsbuchsen an der Rückwand (BAL, LINE 1 und LINE 2) ausgegeben.



Schalten Sie die Kopfhörerverstärkung mit dem Wahlschalter TRIM um, sodass Sie die Lautstärkebalance zwischen der Audioausgabe an der Buchse PHONES und den Lautsprechern einstellen können, um plötzliche Lautstärkeänderungen zu vermeiden.



Hinweis

Wenn EXT. DIRECT ausgewählt ist, wird an der Buchse PHONES kein Signal ausgegeben.

Bezugsmaterialien

C-5000

Allgemeine technische Daten

Nennausgangsspannung/Ausgangs impedanz (Eingang 200 mV, 20 Hz bis 20 kHz, 0,01% THD)

BAL (BYPASS).....	2 Vrms/150Ω
BAL (ATT. -6dB).....	1 Vrms/150Ω
LINE 1/LINE 2.....	1 Vrms/150Ω
LINE 2 OUT (Aufnahme).....	200 mVrms/1,2 kΩ

Maximale Ausgangsspannung (1 kHz, 0,05% THD)

BAL.....	6 Vrms
LINE 1/LINE 2.....	3 Vrms
LINE 2 OUT (Aufnahme).....	3 Vrms

Eingangsempfindlichkeit/-impedanz

BAL/LINE 1/LINE 2, 1 V

BAL 1/BAL 2.....	200 mVrms/52 kΩ
TUNER/CD/LINE 1/LINE 2 IN	200 mVrms/47 kΩ
EXT.IN.....	1 Vrms/20 kΩ

LINE 2 OUT (Aufnahme) (150 mV, 1 kHz)

PHONO (MC 300Ω).....	100 μVrms/300Ω
PHONO (MC 100Ω).....	100 μVrms/100Ω
PHONO (MC 30Ω).....	100 μVrms/30Ω
PHONO (MC 10Ω).....	100 μVrms/10Ω
PHONO (MM, XLR).....	2,5 mVrms/52 kΩ
PHONO (MM, Cinch).....	2,5 mVrms/47 kΩ

Maximale Eingangssignalspannung

LINE 2 OUT (Aufnahme) (1 kHz, 0,05% THD)

BAL (BYPASS).....	2,8 Vrms
BAL (ATT. -6dB).....	5,6 Vrms
TUNER/CD/LINE 1/LINE 2 IN.....	2,8 Vrms
PHONO (MC).....	2 mVrms
PHONO (MM).....	50 mVrms
EXT.IN.....	5,6 Vrms

Frequenzgang (JEITA, 22 kΩ Last)

10 Hz bis 100 kHz.....	+0/-3 dB
20 Hz bis 20 kHz.....	+0/-0,3 dB

Gesamte harmonische Verzerrung (JEITA, 0,5 V Eingang, 20 Hz bis 20 kHz)

BAL 1/BAL 2/TUNER/CD/LINE 1/LINE 2 IN → BAL/LINE 1/LINE 2.....	0,0100%
PHONO (MC) → LINE 2 OUT (Aufnahme)	0,0200%
PHONO (MM) → LINE 2 OUT (Aufnahme)	0,0200%

Kanaltrennung

(1,0 kΩ Eingang abgeschlossen, 1 kHz/10 kHz, JEITA)

BAL 1/BAL 2/TUNER/CD/LINE 1/LINE 2 IN	Min. 110 dB
PHONO (MC).....	Min. 80 dB
PHONO (MM).....	Min. 98 dB

Funktionstrennung

(IHF-A-Netzwerk, 1,0 kΩ Eingang abgeschlossen, JEITA)

BAL 1/BAL 2/TUNER/CD/LINE 1/LINE 2 IN	Min. 110 dB
PHONO (MC).....	Min. 75 dB
PHONO (MM).....	Min. 95 dB

Signal-Rausch-Verhältnis

(IHF-A-Netzwerk, 1,0 kΩ Eingang abgeschlossen, JEITA)

BAL 1/BAL 2/TUNER/CD/LINE 1/LINE 2 IN	Min. 110 dB
PHONO (MC 300Ω).....	Min. 80 dB
PHONO (MM).....	Min. 98 dB

Reststörung (IHF-A-Netzwerk)

BAL/LINE 1/LINE 2.....	3 μV
------------------------	------

Klangregler-Charakteristik

Bässe

Anhebung/Absenkung.....	30 Hz/±9 dB
Übernahmefrequenz.....	350 Hz

Höhen

Anhebung/Absenkung.....	20 kHz/±9 dB
Übernahmefrequenz.....	3,5 kHz

Kopfhörerbuchse, Ausgangsleistung
(1 kHz, 32Ω; 0,2 % THD)

..... 35 mW + 35 mW

Abweichung von der RIAA-Entzerrungskurve

MC/MM ±0,5 dB

Subsonic-Filter-Charakteristik

MC/MM 15 Hz/–3 dB

Stromversorgung

[USA- und Kanada-Modelle] 120 VAC, 60 Hz

[China-Modell] 220 VAC, 50 Hz

[Korea-Modell] 220 VAC, 60 Hz

[Australien-Modell] 240 VAC, 50 Hz

[Großbritannien- und Europa-Modelle]
..... 230 VAC, 50 Hz

[Asien-Modell] 220–240 VAC, 50 Hz/60 Hz

[Modelle für Mittel-/Südamerika und Taiwan]
..... 110 VAC, 60 Hz

Leistungsaufnahme

..... 60 W

Leistungsaufnahme im Standby-Modus

Aus-Modus 0,1 W

Standby-Modus 0,2 W

Abmessungen (B x H x T)

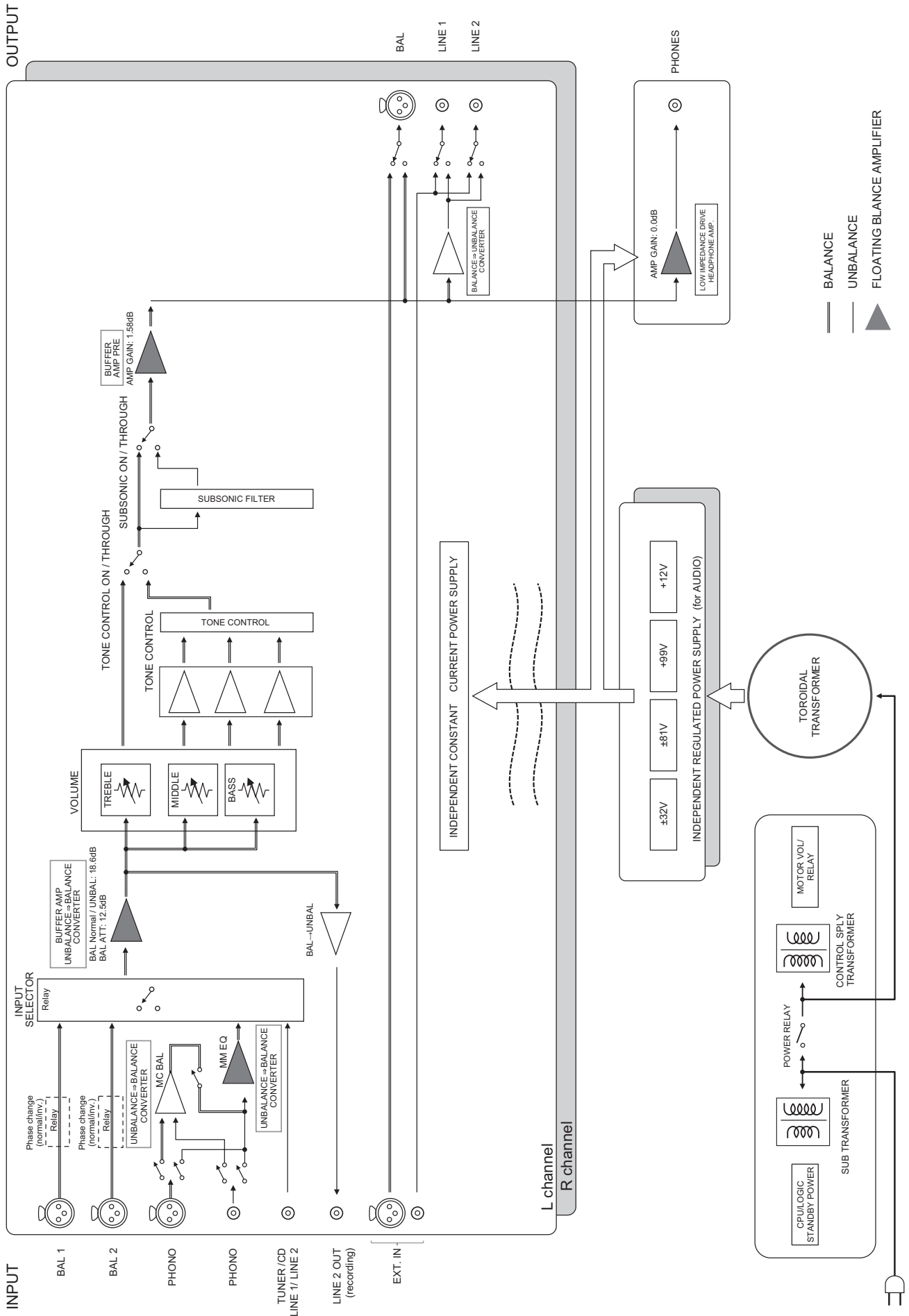
..... 435 × 142 × 451 mm

Gewicht

..... 19,1 kg

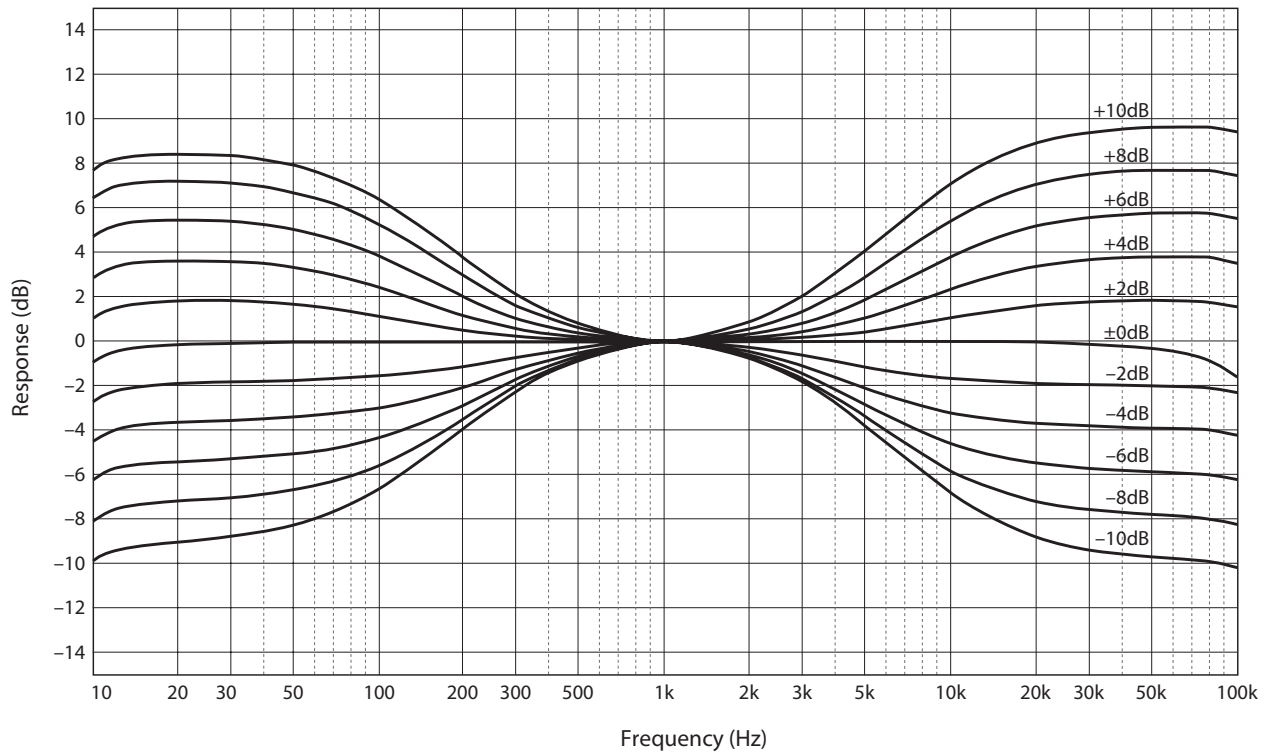
* Der Inhalt dieser Bedienungsanleitung gilt für die neuesten technischen Daten zum Zeitpunkt der Veröffentlichung. Um die neueste Version der Anleitung zu erhalten, rufen Sie die Website von Yamaha auf und laden Sie dann die Datei mit der Bedienungsanleitung herunter.

Blockdiagramm

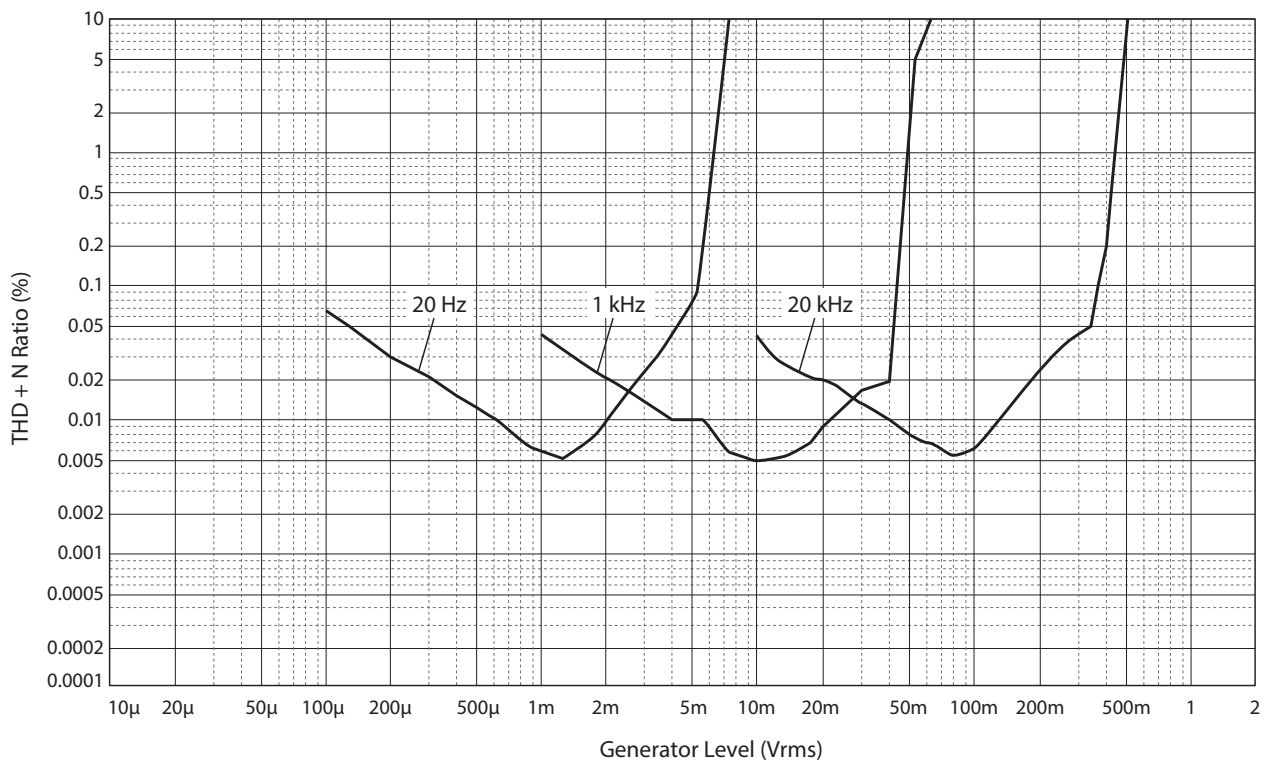


Audio-Charakteristik

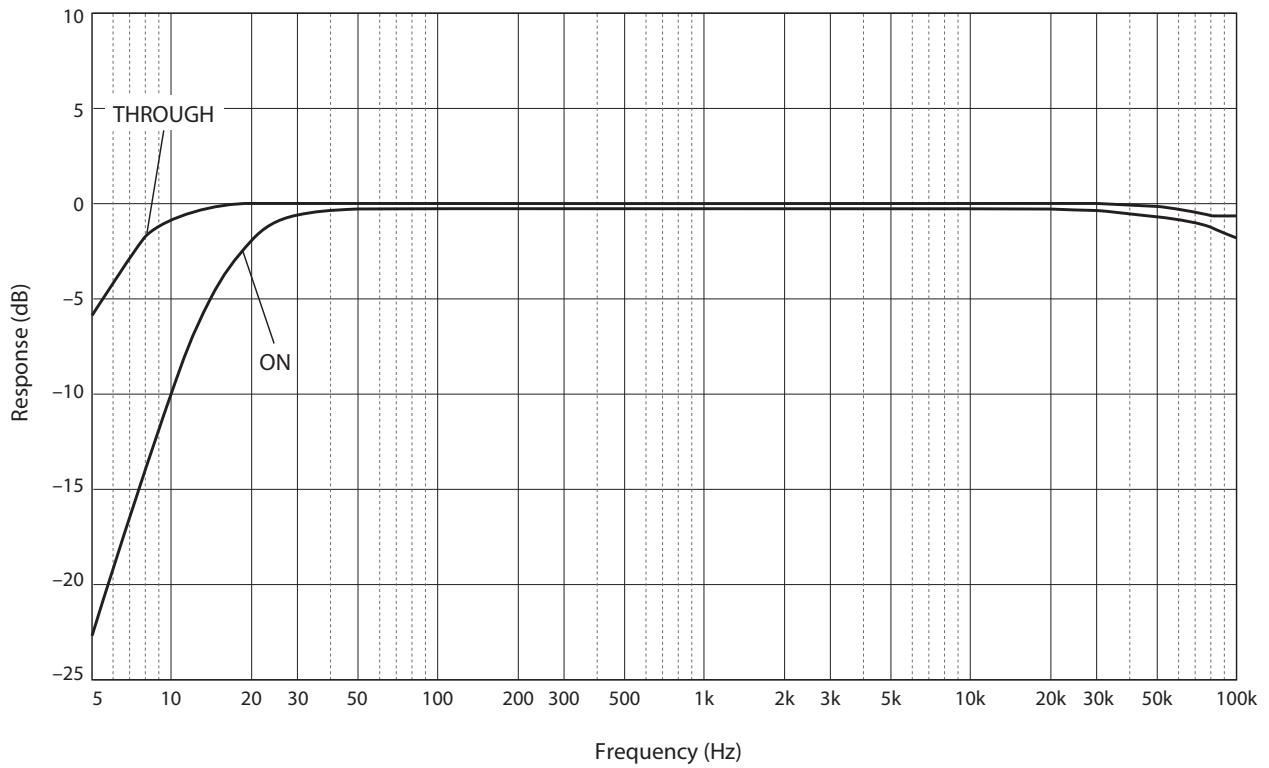
Frequenzgang (Klangregler)



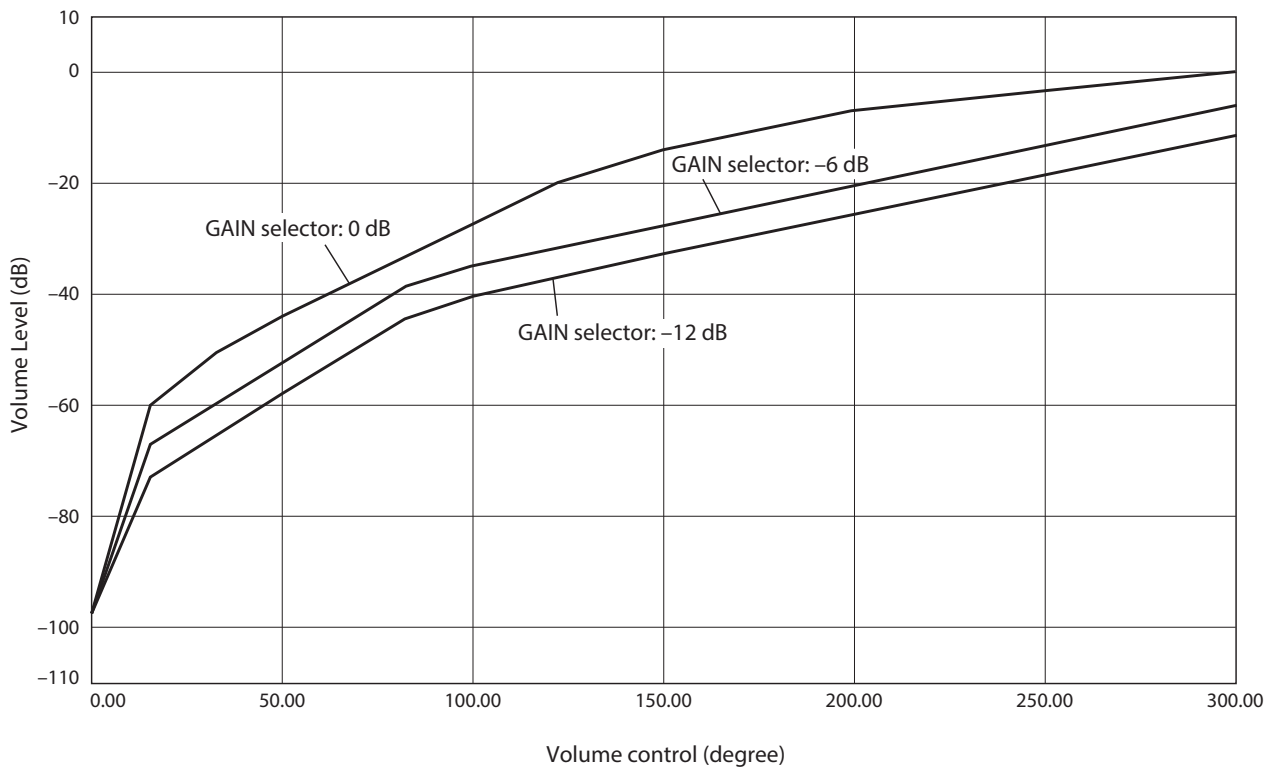
Gesamte harmonische Verzerrung (PHONO)



Subsonic-Filter



Lautstärkekurve



Störungsbeseitigung

Sehen Sie in der folgenden Tabelle nach, wenn das Gerät nicht einwandfrei funktioniert. Falls das Problem nicht hier aufgeführt ist oder die vorgeschlagene Lösung nicht abhilft, schalten Sie das Gerät aus, ziehen Sie das Netzkabel ab und wenden Sie sich an den nächsten Yamaha Händler oder Kundendienst.

Problem	Ursache	Abhilfe	Siehe Seite
Gerät lässt sich nicht einschalten.	Das Netzkabel ist nicht mit der Buchse AC IN an der Rückwand oder einer Wandsteckdose verbunden.	Schließen Sie das Netzkabel fest an.	106
	Das Gerät wurde einem starken externen Stromschlag (wie Blitzschlag oder starke statische Elektrizität) ausgesetzt.	Schalten Sie das Gerät aus, ziehen Sie das Netzkabel aus der Steckdose und stecken es nach ca. 30 Sekunden wieder ein.	106
	Die internen Schaltkreise des Geräts sind gestört.	Trennen Sie den Netzstecker von der Steckdose und wenden Sie sich an den nächsten Yamaha Händler oder Kundendienst.	106
Kein Ton.	Fehlerhafter Anschluss der Ein- oder Ausgangskabel.	Schließen Sie die Kabel sachgemäß an. Bleibt das Problem bestehen, sind die Kabel möglicherweise defekt.	100
	Es wurde keine geeignete Eingangsquelle gewählt.	Wählen Sie mit dem Regler INPUT an der Frontblende (oder mit einer Eingangswahltaste der Fernbedienung) eine geeignete Eingangsquelle aus.	108
	Die Einstellung des Wahlschalters OUTPUT entspricht nicht den verwendeten Ausgangsbuchsen.	Wählen Sie mit dem Wahlschalter OUTPUT einen geeigneten Ausgang.	108
Der Lautstärkepegel kann nicht angepasst werden.	EXT. DIRECT ist als Eingangsquelle ausgewählt.	Passen Sie die Lautstärke am angeschlossenen Gerät an. Schließen Sie andernfalls das externe Gerät an einem anderen Satz Eingangsbuchsen als EXT. IN an und wählen Sie dann die entsprechende Eingangsquelle.	100 108
Nur ein Lautsprecher(kanal) erzeugt Ton.	Das Wiedergabegerät ist nicht richtig angeschlossen.	Stellen Sie sicher, dass die Verbindungen richtig hergestellt wurden. Bleibt das Problem bestehen, sind die Kabel möglicherweise defekt.	100

Problem	Ursache	Abhilfe	Siehe Seite
Es wird ein Brummgeräusch erzeugt.	Fehlerhafter Anschluss der Ein- oder Ausgangskabel.	Schließen Sie die Kabel sachgemäß an. Bleibt das Problem bestehen, sind die Kabel möglicherweise defekt.	100
	Der Plattenspieler ist nicht mit der Masseklemme GND verbunden.	Verbinden Sie den Plattenspieler mit der Klemme GND dieses Geräts.	102
	Zwei Geräte wurden gleichzeitig mit symmetrischen und unsymmetrischen Kabeln verbunden.	Verbinden Sie zwei Geräten nicht gleichzeitig mit symmetrischen und unsymmetrischen Kabeln. Dadurch würde eine Erdungsschleife entstehen, die Störungen und Geräusch erzeugen könnte.	101
Die Wiedergabe von Audiosignalen von dem mit den symmetrischen Eingangsbuchsen BAL 1 oder BAL 2 verbundenen Gerät klingt verzerrt.	Das an den symmetrischen Eingangsbuchsen eingespeiste Signal überschreitet den zulässigen Eingangspegel.	Ist der Signalpegel an den symmetrischen XLR-Ausgangsbuchsen des verbundenen Wiedergabegeräts doppelt so hoch wie an den unsymmetrischen Cinch-Buchsen, stellen Sie den Wahlschalter ATTENUATOR unter den Eingangsbuchsen auf ATT. (-6 dB).	110
Den Bässen fehlt Tiefe, wenn BAL 1 oder BAL 2 (symmetrischer Eingang) ausgewählt ist.	Die Polarität ist falsch.	Wählen Sie mit dem Wahlschalter PHASE die korrekte Polarität aus .	94
Der Lautstärkepegel der Schallplatte ist zu niedrig.	Der Schalter PHONO auf der Frontblende ist falsch eingestellt.	Stellen Sie den Schalter PHONO entsprechend dem Typ des Tonabnehmers am Plattenspieler auf MM oder MC.	109
Die Fernbedienung funktioniert nicht oder nicht ordnungsgemäß.	Die Fernbedienung wurde außerhalb der Reichweite verwendet.	Die Fernbedienung arbeitet in einem Bereich von maximal 6 m und 30 Grad zum Fernbedienungssensor an der Frontblende.	98
	Sonnenlicht oder das Licht von einer Inverter-Leuchtstofflampe, Stroboskopleuchte usw. fällt direkt auf den Fernbedienungssensor an der Frontblende.	Ändern Sie die Ausrichtung der Beleuchtung oder des Geräts.	98
	Die Batterien sind entladen.	Tauschen Sie alle Batterien aus.	98

Verzeichnis

A

Anzeige STANDBY/ON / OFF	86
ATTENUATOR, Wahlschalter	110
AUDIO MUTE, Schalter	111
(Aufnahme-)Buchse LINE 2 OUT	92
Aufnahmegerät anschließen	102
AUTO POWER STANDBY, Schalter	93

B

BAL 1, Buchse	91
BAL 2, Buchse	91
BALANCE, Regler	111
BAL, Buchse	93
BASS, Regler	111
Buchse AC IN	106
Buchse für Plattenspieler	102

E

Eingangsbuchse für externes Gerät	103
Einschalten	86
EXT. DIRECT, Schalter	109
EXT. IN, Buchse	103

F

Fernbedienungssensor	98
----------------------------	----

G

GAIN, Wahlschalter	110
--------------------------	-----

I

INPUT, Wahlschalter	108
---------------------------	-----

K

Klemme für Masse	102
Klemme SIGNAL GND	102
Kopfhörer anschließen	112

L

Leistungsverstärker anschließen	103
LINE 1, Buchse	93
LINE 2, Buchse	93
LINE 2 IN, Buchse	92

M

Masseklemme	102
-------------------	-----

N

Netzanzeige	86
Netzschalter	86

O

OUTPUT, Wahlschalter	108
----------------------------	-----

P

PHASE, Wahlschalter	94
PHONES, Buchse	112
PHONO, Buchse	102
PHONO, Wahlschalter	109
Plattenspieler anschließen	102
Plattenspielereingang einstellen	109

R

REMOTE, Buchse	105
Remote-Verbindung	105

S

Schalter STANDBY/ON / OFF	86
SERVICE, Buchse	93
SUBSONIC FILTER	110
SUBSONIC FILTER, Schalter	110
Subwoofer anschließen	103
Symmetrische Verbindung	94

T

TREBLE, Regler	111
TRIGGER, Buchse	104
Trigger-Verbindung	104
TRIM, Wahlschalter	112

U

Unsymmetrische Verbindung	95
---------------------------------	----

V

VOLUME, Regler	110
----------------------	-----

Tack och grattis till ditt köp av denna Yamaha-produkt.

- ◆ Nu kan du njuta av högkvalitativt stereoljud med denna förförstärkare hemma.
- ◆ Ägarmanualen beskriver enhetens funktioner, anslutningsprocedurer och operationer.
- ◆ För att kunna använda produkten på ett korrekt och säkert sätt, föreslår vi att du läser bruksanvisningen och Säkerhetsanvisningar (separat häfte) noggrant.
Förvara manualen på en säker och lättåtkomlig plats för framtida referens.



Du kan ladda ner en PDF-version av den här manualen från följande webbplats hos Yamaha.

<https://download.yamaha.com/>

Funktioner

- ◆ Vänster-höger symmetrisk design skapar en passande struktur
- ◆ Klass A-drift av komplett, fullt flytande balanserad signalöverföring från ingång till utgång
- ◆ Full-flytande och balanserad phono EQ-förstärkare med balanserade ingångar
- ◆ Kontroller med hög noggrannhet som använder en egen bärande struktur och vippströmställare med hög styvhet
- ◆ Dubbla transformatorer utformade speciellt för ljud, som är helt skild från strömförsörjningen
- ◆ Stabil mekanisk jordad konstruktion som dramatiskt minskar effekterna från yttre vibrationer.
- ◆ Kretsen för tonkontrollen står med ett eget parallellt system med ljudvolym
- ◆ Nydesignade spetsiga fötter i mässing
- ◆ Förstärkningsfunktionen som möjliggör ultrafin justering av ljudvolymen

Angående denna manual

- ◆ Illustrationerna som visas i manualen är endast avsedda för instruktionsändamål.
- ◆ Företagsnamn och produktnamn i manualen är varumärken eller registrerade varumärken som tillhör respektive företag.
- ◆ “ **VARNING**” beskriver försiktighetsåtgärder som ska följas för att undvika risk för allvarlig personskada eller till och med dödlig utgång.
- ◆ “ **FÖRSIKTIGHET**” beskriver försiktighetsåtgärder som ska följas för att undvika risk för personskada.
- ◆ “**MEDDELANDE**” beskriver försiktighetsåtgärder som ska följas för att undvika risk för funktionsstörning eller skada på produkten eller data.
- ◆ “**Obs!**” beskriver kompletterande information om produkten.
- ◆ Innan du börjar använda produkten, se till att läsa den separata “Säkerhetsanvisningar”.

Innehållsförteckning

Funktioner	122
Angående denna manual	122
Medföljande tillbehör	124
Underhåll	124
Spegel-finish på sidopanelerna	124
Andra ytor än spegel-finish på sidopaneler	124

Delarnas namn och funktioner

Frontpanel	126
Bakpanelen	130
Balanserade och obalanserade anslutningar	134
Fjärrkontroll	136
Sätta i batterier i fjärrkontrollen	138
Använda fjärrkontrollen	138

Anslutningar

Ansluta en extern komponent	140
Ansluta en skivspelare	142
Ansluta en inspelningskomponent	142
Ansluta en annan förstärkare	143
Ansluta a effektförstärkare och en aktiv subwoofer	143
Trigger-anslutningar	144
Kontroll av strömmen på och av för en ansluten komponent, t.ex. en effektförstärkare, synkroniserad med enheten	144
Kontrollera enhetens ström på och av i synkronisering med en ansluten komponent, t.ex. en AV-mottagare	144
Fjärranslutningar	145
Använda enheten från ett annat rum.	145
Fjärranslutning mellan Yamaha-komponenter	145
Ansluta strömsladden	146

Operationer

Slå på strömmen	148
Välja ingång och utgång	148
Välja ingång från EXT.IN-uttagen	149
Justering av inmatningsinställningen för skivspelaren	149
PHONO-väljare	149
Underljudsfilter	150
Justera ljudvolymen	150
Sänka ljudvolymen tillfälligt	151
Justera tonen	151
Ansluta hörlurar	152

Referensmaterial

Allmänna specifikationer	154
Blockdiagram	156
Ljudegenskaper	157
Frekvensåtergivning (tonkontroll).	157
Total harmonisk distorsion (PHONO)	157
Underljudsfilter	158
Ljudvolymens kurva	158
Felsökning	159
Index	161

Medföljande tillbehör

Se till att följande tillbehör ingår i förpackningen.

- Fjärrkontroll
- Batterier (AAA, R03, UM-4) (x2)
- Strömsladd
- Bruksanvisning (denna bok)
- Säkerhetsanvisningar (separat häfte)



VARNING

Använd inte den medföljande strömsladden med andra enheter.

Underhåll

För att använda denna produkt under en längre tid, rekommenderar vi att du underhåller den regelbundet.



VARNING

- Kontrollera sladden med stickkontakten regelbundet för att se om den är dammig. Om så är fallet, torka av dammet helt. Annars kan det leda till brand eller elektrisk stöt.
- Använd inte aerosol eller lättantändlig gasspray för rengöring eller smörjning. Annars kommer lättantändlig gas att byggas upp inuti enheten, vilket medför eventuell explosion eller brand.

MEDDELANDE

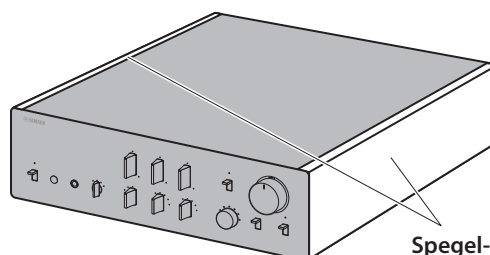
- Använd en torr, mjuk trasa när enheten ska rengöras. Användning av rengöringsmedel, såsom bensen eller förtunningsmedel, tvättmedel eller kemiskt behandlad trasa kan orsaka förändringar på färgen eller försämring av ytan. Om ytan blir mycket smutsig, ska du fukta en trasa med tvättmedel (utspätt med vatten), vrid det ordentligt och torka av smutsen.
- Om du torkar ytan i närheten av Yamaha-logotypen med kraft, kan logotypen släppa eller fibern från duken kan lossna och fästa sig vid ytan.

Spegel-finish på sidopanelerna

Vi rekommenderar att du använder en rengöringsduk avsedd för pianon. Om ytan är mycket smutsig, använd en mjuk duk som är fuktad med vatten och hårt vriden.

Andra ytor än spegel-finish på sidopaneler

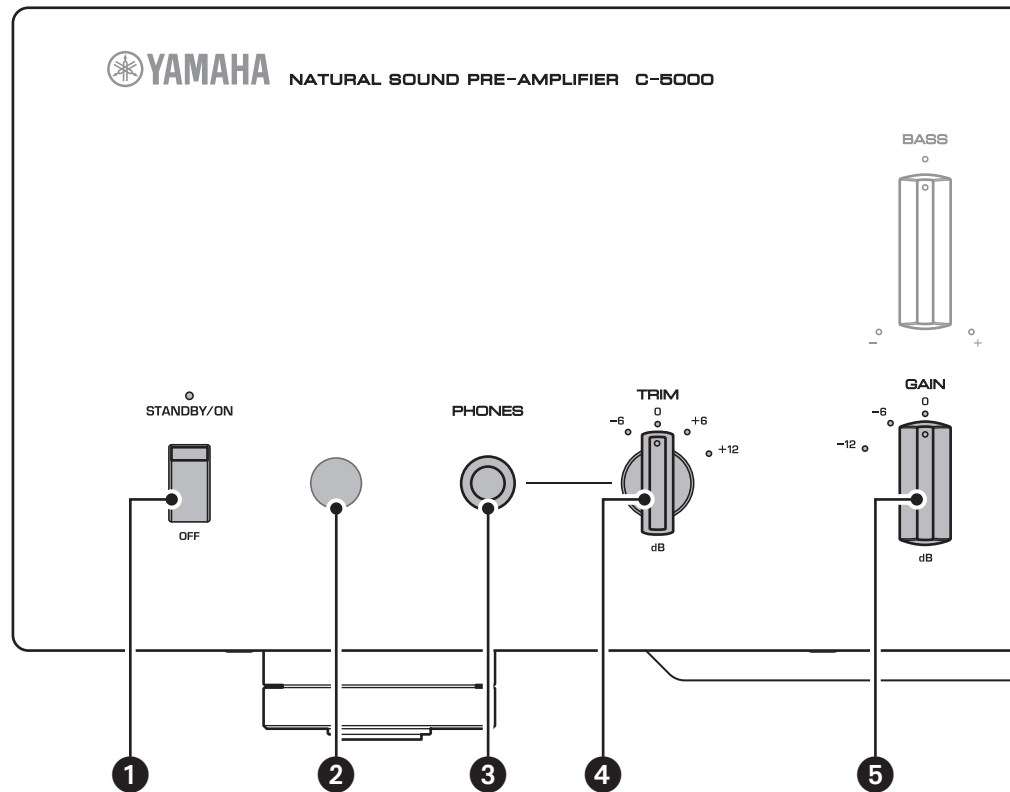
Torka av andra ytor med en mjuk torr duk. Om ytan blir mycket smutsig, ska du fukta en trasa med rengöringsmedel utspätt i vatten. Vrid duken ordentligt och torkar sedan av smutsen från ytan.



Delarnas namn och funktioner


I det här avsnittet anges namnen samt beskriver funktionen hos de olika delarna på fram- och bakpanelerna och fjärrkontrollen.

Frontpanel



1 STANDBY/ON/OFF (Ström) -knapp/indikator

Slår på (Standby)/av strömmen till enheten.

STANDBY/ON: Växlar mellan standby-läge och på genom att använda  AMP-knappen på fjärrkontrollen.

OFF: Slår av strömmen till enheten.

Strömmens status	Indikator
På	Lyser starkt
Standby	Lyser svagt
Av	Av

Enheten går inte bara in i standby-läget när du trycker på AMP-knappen på fjärrkontrollen utan även i någon av följande händelser:

- Om enheten är påslagen, men inte används på åtta timmar medan funktionen automatisk ström är i standby-läge, eller
- Om du stänger av strömmen till apparaten som är ansluten till den här enhetens TRIGGER IN-uttag. Mer information, se “17 AUTO POWER STANDBY-knappen” i avsnittet “Bakpanelen” (sidan 133) och till “Trigger-anslutningar” (sidan 144).

Obs!

När enheten har slagits på, dröjer det några sekunder innan något ljud kan matas ut från enheten.

MEDDELANDE

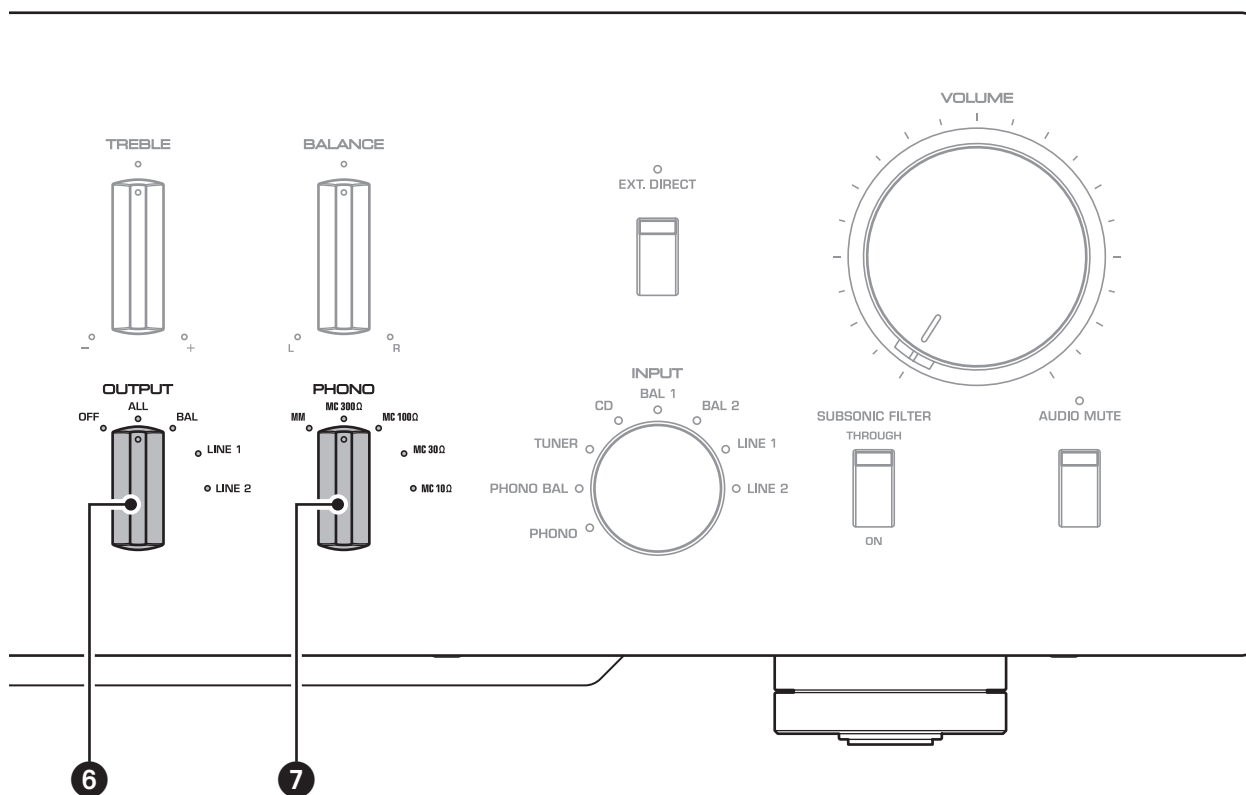
Om du planerar att inte använda enheten under en längre period, ska du dra ur stickkontakten från vägguttaget. Även när STANDBY/ON/OFF-knappen (Ström) är avstängd (strömindikatorn är mörk), finns det fortfarande en minimal mängd av i enheten.

2 Fjärrkontrollsensor

Tar tar emot signaler från fjärrkontrollen. För mer information, se “Använda fjärrkontrollen” (sidan 138).

3 PHONES-uttag

Anslut hörlurarna hit för att lyssna på musik privat. För mer information, se “Ansluta hörlurar” (sidan 152).



4 TRIM-väljare

Växlar hörlurens förstärkning av förstärkare. Enheten kommer att justera ljudvolymen när hörlurarna är inkopplade för att undvika plötsliga ändringar i ljudvolymen genom att ändra nivåbalansen mellan ljudutgången från PHONES-uttag och högtalarna.

Alternativ: -6 dB, 0 dB, +6 dB, +12 dB

5 GAIN-väljare

Växlar till förstärkning av förförstärkaren. Enheten anpassar sig smidigt till förstärkning av effektförstärkaren och högtalarens känslighet, så att du kan utföra finjusteringar av ljudvolymen. För mer information, se "Justera ljudvolymen" (sidan 150).

Alternativ: -12 dB, -6 dB, 0 dB

6 OUTPUT-väljare

Anger vilka OUTPUT-uttag som ska signalera som ska matas ut, enligt följande:

Använd denna väljare om flera effektförstärkare är anslutna.

	OUTPUT-väljare				
	OFF	ALL	BAL	LINE1	LINE2
BAL-uttag	—	Utgång	Utgång	—	—
LINE 1-uttag	—	Utgång	—	Utgång	—
LINE 2-uttag	—	Utgång	—	—	Utgång

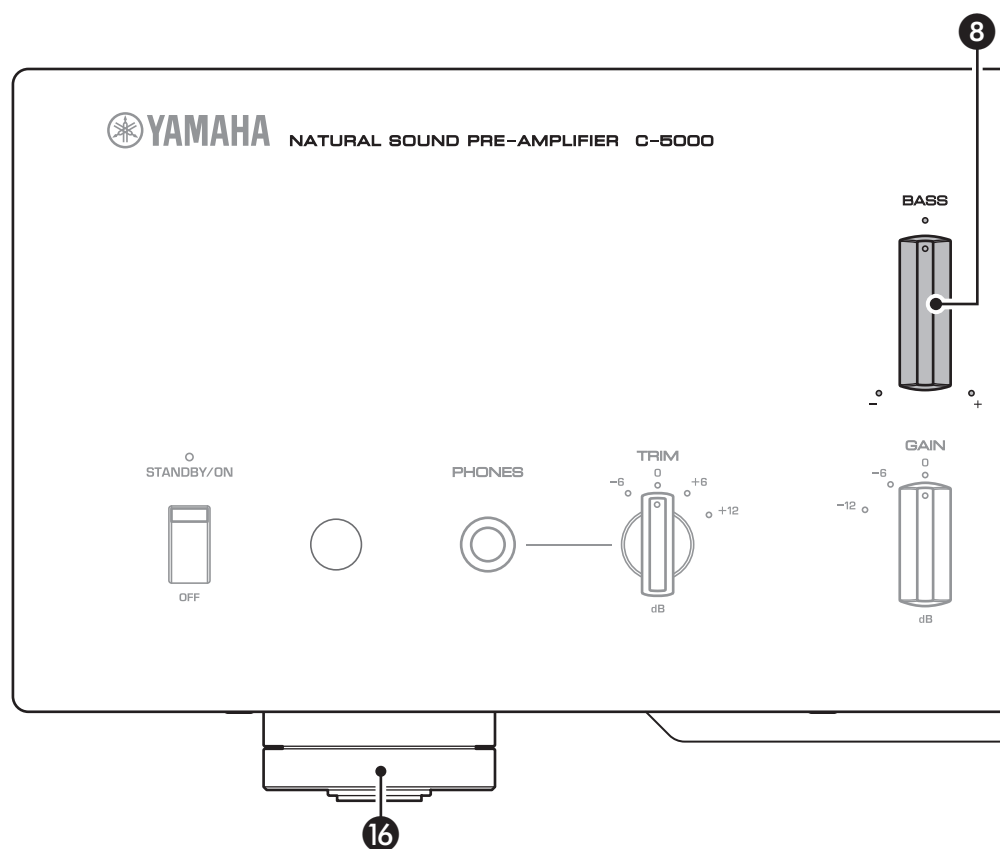
7 PHONO-väljare

Anger vilken typ av patron som är installerad på skivspelaren ansluten till PHONO-uttag på bakpanelen (MM, MC 300Ω, MC 100Ω, MC 30Ω, MC 10Ω). För mer information, se "Justering av inmatningsinställningen för skivspelaren" (sidan 149).

MEDDELANDE

Innan du byter patron, ska denna enhet vara avslagen.

Frontpanel



8 BASS-kontroll

Justerar lågfrekvensåtergivning i intervallet från -10 dB till $+10$ dB (i steg om $0,5$ dB). Mittenposition ger en rak återgivning.

9 TREBLE-kontroll

Justerar högfrekvensåtergivning i intervallet från -10 dB till $+10$ dB (i steg om $0,5$ dB). Mittenposition ger en rak återgivning.

10 BALANCE-kontroll

Justerar balansen för ljudutgången mellan vänster och höger högtalare i intervallet från L (den högra kanalen är dämpad) till R (den vänstra kanalen är dämpad) för att kompensera för obalanser orsakad av högtalarnas placering eller förhållanden i rummen för lyssnande.

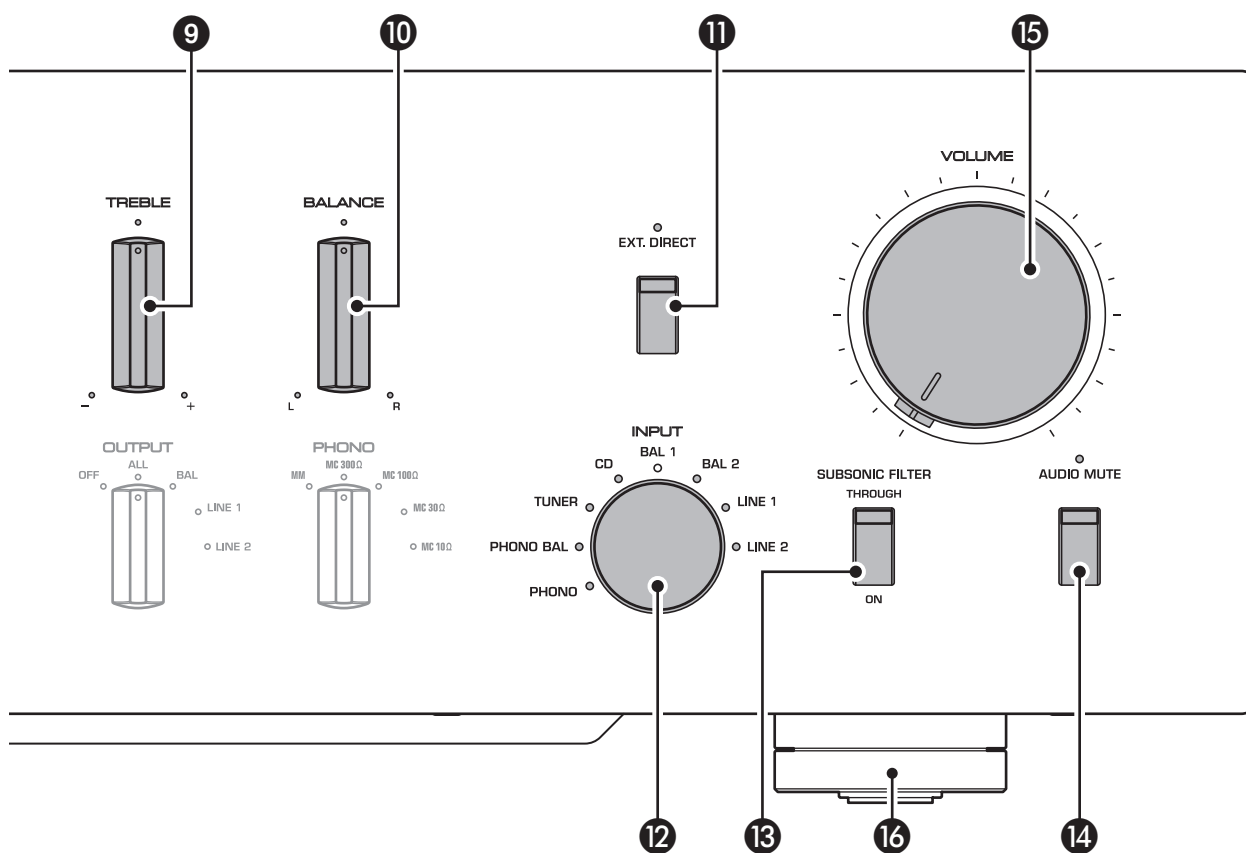
11 EXT. DIRECT-knapp/indikator

Om du trycker på EXT. DIRECT-knappen en gång, EXT. tänds DIRECT-indikatorn, och ljudkällans ingång på EXT. IN-uttag kommer att matas ut till de anslutna utgångarna. För mer information, se "Ansluta en annan förstärkare" (sidan 143) och "Välja ingång och utgång" (sidan 148).

Om du trycker på EXT. DIRECT-knappen en gång till, eller vrider på INPUT-väljaren, kommer signalen som anges av INPUT-väljaren att bli ingångskällan och EXT. DIRECT-indikatorn släcks.

Obs!

Om EXT. DIRECT har valts, matas ingen signal ut vid LINE 2 OUT (inspelning) eller vid PHONES-uttaget.



12 INPUT-väljare/indikator

Låter dig välja vilken ljudkälla som ska spelas upp. Alternativen är: **PHONO, PHONO BAL, TUNER, CD, BAL 1, BAL 2, LINE 1, och LINE 2**. Indikatorn för den valda ingångskällan tänds.

Obs!

Om LINE 2 väljs här, matas ingen signal ut vid LINE 2 OUT-uttagen (inspelning).

13 SUBSONIC FILTER-knappen

Växlar mellan **ON** (aktiverad) och **THROUGH** (Inaktiverad) för underljusfilter. För mer information, se "Justering av inmatningsinställningen för skivspelaren" (sidan 149).

Obs!

Om INPUT-väljaren är inställd på något annat alternativ än PHONO eller PHONO BAL, inaktiveras filtret.

14 AUDIO MUTE-knappen/indikator

Tryck på denna knapp för att sänka den aktuella ljudvolymen med ungefär 20 dB. Indikatorn tänds. Tryck på knappen igen för att återställa ljudvolymen till föregående nivå. Indikatorn slocknar.

15 VOLUME-kontroll

Justerar nivån på ljudvolymen. Denna inställning påverkar inte utmatningsnivån vid LINE 2 OUT-uttagen (inspelning).

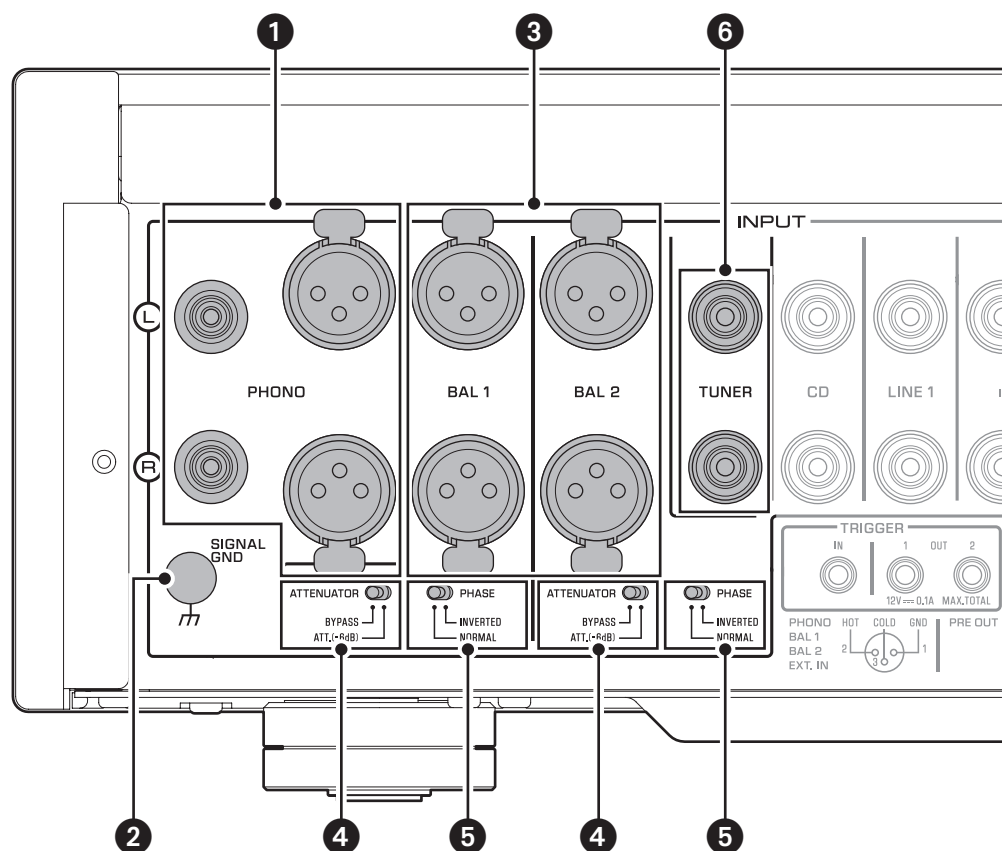
Obs!

VOLUME-kontrollen påverkar inte nivån på ljudvolymen om EXT. DIRECT är vald som ingångskälla. När ljudvolymen ska justeras, ska du använda volymreglaget på den externa förstärkaren som är ansluten till EXT. IN-uttag.

16 Fötter

Om enheten är instabil, justera höjden på fötterna efter behov genom att rotera dem.

Bakpanelen



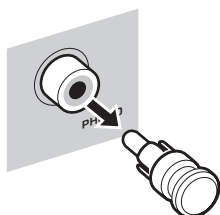
Obs!

För information angående anslutningsförfarande, se "Anslutningar" (sidan 139).

1 PHONO-uttag

Uttag av typ RCA och XLR. Om INPUT-väljaren är inställd på PHONO, kommer signalerna på RCA-typ PHONO-uttag att vara ingångskälla. Om INPUT-väljaren är inställd på PHONO BAL, kommer signalerna på XLR-typ PHONO-uttag vara ingångskällan.

Förförstärkare levereras med en kortslutningskontakt installerad på varje typ av RCA PHONO-ingång. Om du planerar att ansluta en extern komponent till dessa uttag, ska du ta bort kortslutningskontaktarna. För mer information, se "Ansluta en skivspelare" (sidan 142).



FÖRSIKTIGHET

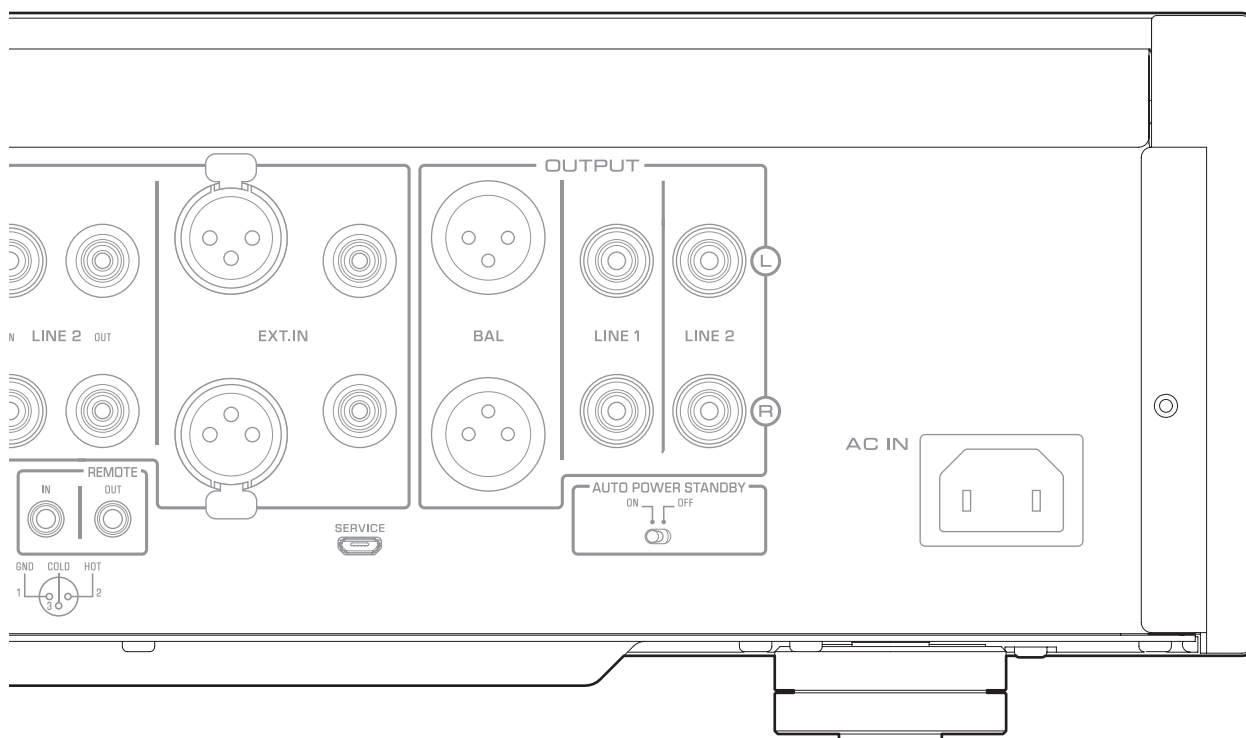
Hantera kontaktarna för kortslutning försiktigt. Låt inte barn leka med kortslutningskontakt; de kan annars svälja den.

MEDDELANDE

- Kortslutningskontakter är avsedda för oanvända INGÅNGAR ENDAST; Om du använder dem på UTGÅNGARNA kan det orsaka allvarliga skador på dina komponenter.
- Om du planerar att inte använda RCA-typ PHONO-ingångarna, ska du sätta i kortslutningskontaktarna för att förhindra slumpmässig statisk eller brusstörning från att försämma ljudsignalen.

2 SIGNAL GND (jordad) terminal

Om du ansluter din skivspelare till RCA-typ PHONO ingångar, ska du även ansluta skivspelaren till terminalen. Att göra så kan minska bruset.



3 BAL 1/BAL 2-uttag

Dessa består av två uppsättningar av balanserade ingångar med XLR-typ. Om INPUT-väljaren är inställd på BAL 1 eller BAL 2, kommer signalerna på motsvarande typ av XLR-uttag vara ingångskällan.

Obs!

Ställ in ATTENUATOR-väljaren och PHASE-väljaren på rätt sätt för komponenterna för uppspelning som är anslutna till enheten.

4 ATTENUATOR-väljare

Gör det möjligt att ställa in tillåten inmatningsnivå för balanserade ingångar av typ XLR (BAL 1 och BAL 2-uttag). För mer information, se "Justera ljudvolymen" (sidan 150).

BYPASS: Den tillåtna inmatningsnivån ändras inte. Välj vanligtvis detta alternativ.

ATT. (-6 dB): Förstärkt inmatning sänks med 6 dB för att öka den tillåtna ingångsnivån. Välj det här alternativet om ljudutgången från den anslutna komponenten låter förvrängd.

5 PHASE-väljare

Anger positionen HET stift för XLR-typ balanserade ingångar (BAL 1 och BAL 2-uttag).

NORMAL: Anges stift #2 som HET.

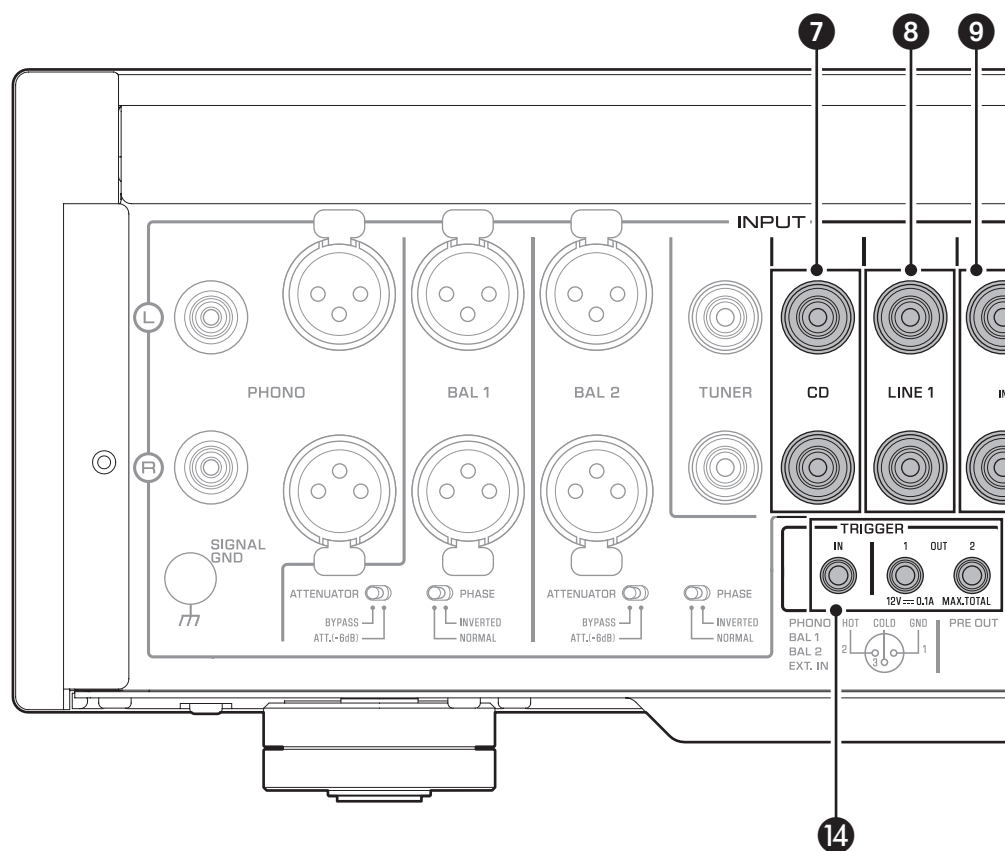
INV.: Anges stift #3 som HET.

För mer information, se "Balanserade och obalanserade anslutningar" (sidan 134).

6 TUNER-uttag

Dessa är RCA-ingångar. Om INPUT-väljaren är inställd på TUNER, kommer signalerna vid dessa uttag att vara ingångskällan. Anslut din stereoanläggning här.

Bakpanelen



7 CD-uttag

Dessa är RCA-ingångar. Om INPUT-väljaren är inställd på CD, kommer signalerna vid dessa uttag att vara ingångskällan. Anslut din CD-spelare här.

8 LINE 1-uttag

Dessa är RCA-ingångar. Om INPUT-väljaren är inställd på LINE 1, kommer signalerna vid dessa uttag att vara ingångskälla.

9 LINE 2 IN-uttag

Dessa är RCA-ingångar. Om INPUT-väljaren är inställd på LINE 2, kommer dessa uttag att vara ingångskälla.

10 LINE 2 OUT-uttag (inspelning)

Dessa är RCA-ingångar för inspelning. Dessa uttag matar normalt ut ingångskällans signaler valda via frontpanelen eller fjärrkontrollen. För information om anslutningsförfarande, se "Ansluta en inspelningskomponent" (sidan 142).

Obs!

- Anslut LINE 2 IN-uttag och LINE 2 OUT-uttag (inspelning) till samma komponent.
- LINE 2 OUT-uttag (inspelning) kommer inte att mata ut några signaler om INPUT-väljaren är inställd på LINE 2 eller EXT. om DIRECT-knappen är tryckt.

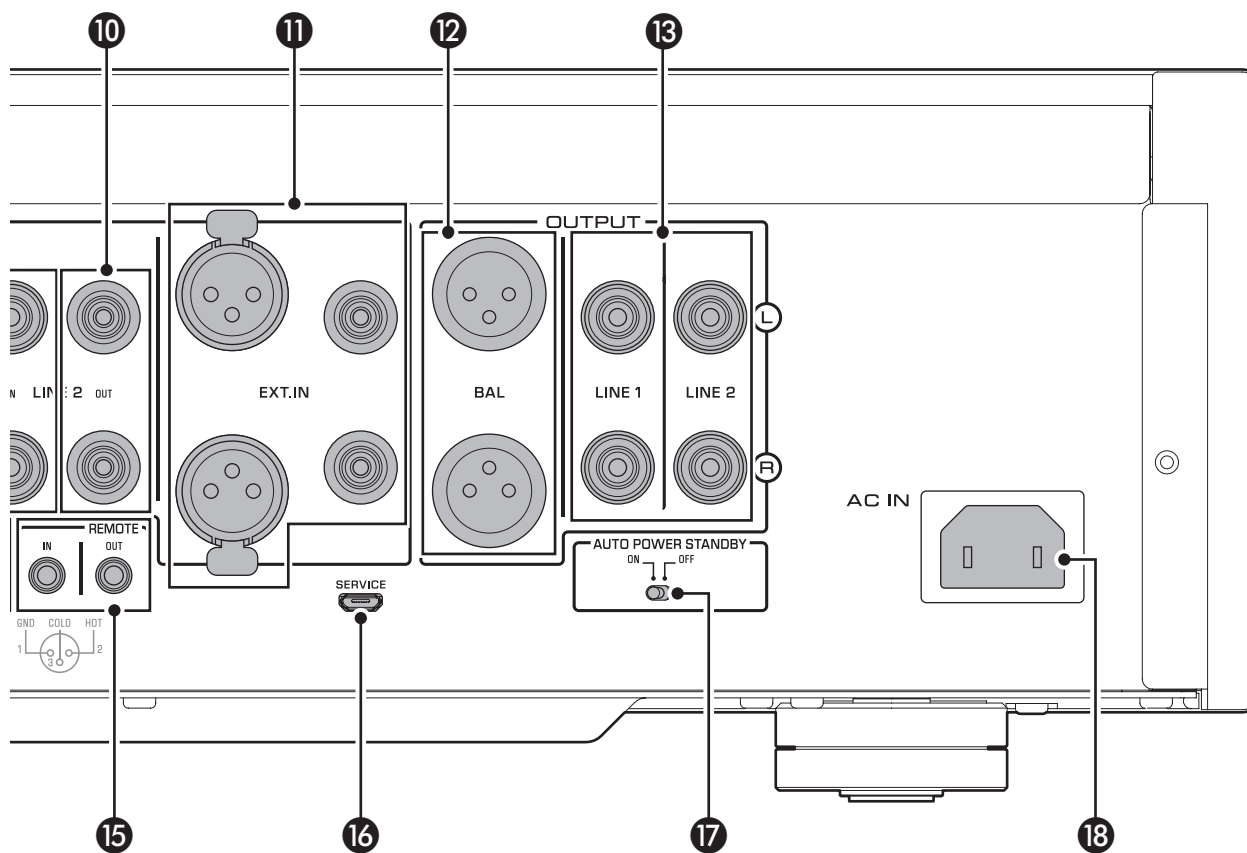
11 EXT.IN-uttag

Dessa uttag har typen av XLR-och RCA-ingångar. Om EXT. INPUT-väljaren är tryckt, kommer signalerna vid dessa uttag att vara ingångskällan. Anslut din förstärkare här. För mer information, se "Ansluta en annan förstärkare" (sidan 143).



FÖRSIKTIGHET

Du kan inte justera nivån på ljudvolymen för de signaler som matas in på EXT. IN-uttag. Se därför till att ansluta till EXT. IN-uttag, en komponent som har ett volymreglage.

**Obs!**

Nivån på ljudvolymen är fast. Om du manövrerar VOLUME-kontrollen eller GAIN-väljaren på enheten, ändras inte nivån på ljudvolymen för signalen från EXT. IN-uttag. Justera nivån på ljudvolymen med volymreglaget på komponenten som är ansluten till EXT. IN-uttag.

12 BAL-uttag

Dessa är utgångar av typen XLR. Anslut dessa uttag till de balanserade ingångarna på effektförstärkaren.

13 LINE 1/LINE 2-uttag

Dessa är RCA-utgångar. Anslut dessa uttag till RCA-ingångarna på effektförstärkaren.

14 TRIGGER IN/TRIGGER OUT-uttag

Dessa är mono-minikontakter. Anslut externa komponenter som stöder triggerfunktionen här. För mer information, se "Trigger-anslutningar" (sidan 144).

15 REMOTE IN/REMOTE OUT-uttag

Dessa är mono-minikontakter. Anslut externa komponenter som stöder triggerfunktionen här. För mer information, se "Fjärranslutningar" (sidan 145).

16 SERVICE-uttag

Detta uttag används för att serva produkten. Används sällan.

17 AUTO POWER STANDBY-knappen

Anger om enheten automatiskt går in i standby-läget.

ON: Enheten går automatiskt in i standby-läge om den är påslagen, men inte aktiverad i åtta timmar.

OFF: Enheten går inte automatiskt in i standby-läge.

18 AC IN-uttag

Anslut den medföljande stickkontakten här. För mer information, se "Ansluta strömsladden" (sidan 146).

Balanserade och obalanserade anslutningar

Enheten har balanserade uttag av typen XLR och obalanserade ingångar av typen RCA.

Obs!

Använd inte balanserade och obalanserade anslutningar mellan två komponenter samtidigt. Sådan användning av kablar skulle skapa en jordningsslinga som kan generera elektrostatisk laddning och brus.

Balanserad anslutning

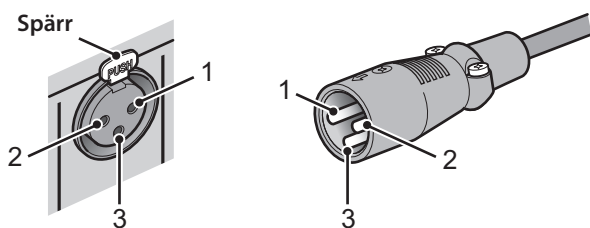
En balanserad anslutning är utformad för att avbryta och förebygga oönskat brus. Eftersom längre kablar tenderar att plocka upp mer ljud, är en balanserad anslutning användbar om du behöver använda långa kablar. Generellt sett, om dina komponenter har balanserade utgångar, bör du använda balanserade anslutningar.

Uttag för balanserade anslutningar

Typ av XLR-ingångar på denna enhet används för balanserade anslutningar. Ingångs- och utgångskontakten använder olika mönster. Honkontakter används för ingångar och hankontakter för utgångar. För balanserade anslutningar används balanserade kablar med XLR-kontakter. Anslut en hankontakt på kabeln till en honkontakt på enheten, och anslut en honkontakt till en hankontakt på enheten.

XLR-kontakt (hona)

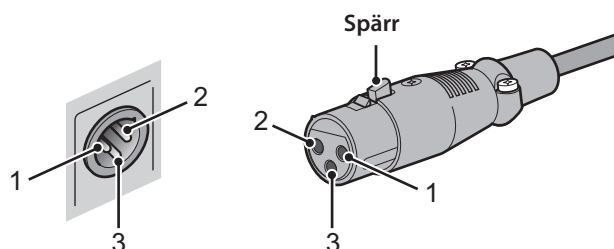
XLR-kontakt (hane)



När du ansluter en kabel till en ingång, se till att rikta upp stiftet på kontakten med hålen i uttaget och sätt sedan in kontakten i uttaget tills du hör ett klick. För att ta bort kabeln, ska du trycka och hålla ner spärren på ingången genom att dra ut XLR hankontakten från uttaget.

XLR-kontakt (hane)

XLR-kontakt (hona)



När du ansluter en kabel till en utgång, se till att rikta upp stiftet på kontakten med hålen i uttaget och sätt sedan in kontakten i uttaget tills du hör ett klick. För att ta bort kabeln, ska du trycka och hålla ner spärren på XLR honkontakten och dra ut den från uttaget.

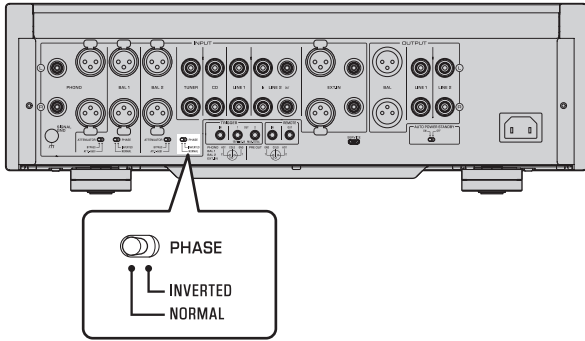
Polaritet med balanserad anslutning

När du gör en balanserad anslutning måste du ställa in polariteten korrekt. Generellt sett är stift #2 het, men ibland kan stift #3 vara het. Se ägarmanualen för den anslutna komponenten för att lära dig vilket stift på uttaget som är het.

För att ställa in polariteten för BAL 1 och BAL 2 ingångsstiftstift, använd PHASE-väljaren på bakpanelen.

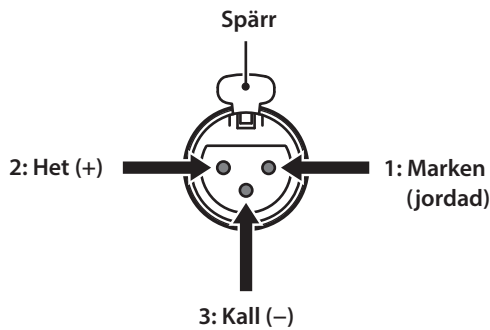
Obs!

- PHONO och EXT. IN-uttag har ingen PHASE-knapp. Denna polaritet för stift är standard och fast för dessa uttag.
- Stift #2 är het på Yamaha-spelare.



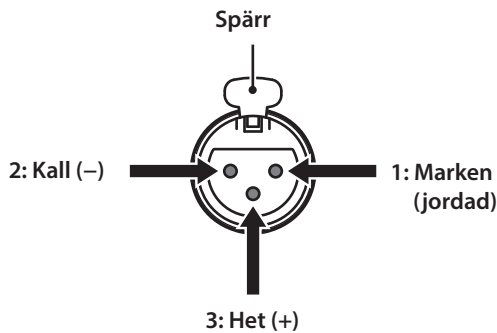
Om PHASE-väljaren är inställd på NORMAL, blir stift #2 HET.

Typ av XLR-ingång

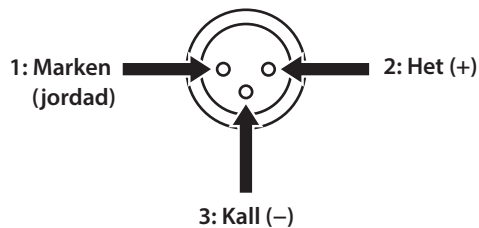


Om PHASE-väljaren är inställd på INVERTED, blir stift #3 HET.

Typ av XLR-ingång

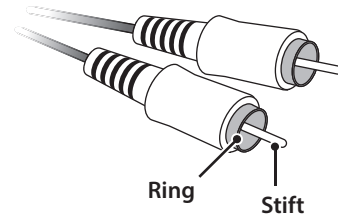


Typ av XLR-utgång



Obalanserad anslutning

Om du ansluter en ljudkomponent som endast har standard RCA-uttag, ska RCA-uttag på denna enhet för obalanserade anslutningar användas. För obalanserade anslutningar, bör obalanserade kablar med RCA-kontakter användas. Dessa uttag och kontakter har igen design för hankontakt eller honkontakt eller skillnader i polaritet.



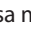

5 CD-knapp

Slår på strömmen till en ansluten Yamaha CD-spelare eller växlar till standby-läget.

6 OPEN/CLOSE-knappen

Öppnar eller stänger CD-facket på en ansluten Yamaha CD-spelare. Mer information finns i användarmanualen till din CD-spelare.

Obs!

Vissa modeller av CD-spelare från Yamaha kanske inte stöder  CD-knappen och / eller  OPEN/CLOSE knappfunktioner.

7 CD-spelarens kontrollknappar

Låter dig styra funktionerna hos en ansluten Yamaha CD-spelare. Mer information finns i användarmanualen till din CD-spelare.

(Spela upp)

Startar uppspelning.

(Pausa)

Pausa uppspelning. Tryck  eller  för att återuppta uppspelningen.

(Stoppa)

Stoppar uppspelning.

(Hoppa över)

Hoppar till nästa spår eller återgår till början av det aktuella spåret.

SOURCE-knapp

Väljer källan som ska spelas upp på Yamaha CD-spelaren. Källan för uppspelning ändras varje gång du trycker på den här knappen.

LAYER-knapp

Växlar uppspelningslager av en hybrid-Super Audio-CD-skiva mellan "Super Audio-CD" och "CD."

Obs!

Vissa modeller på CD-spelare från Yamaha kanske inte stöder dessa knappfunktioner.

8 VOLUME +/- knappar

Justera nivån på ljudvolymen.

Obs!

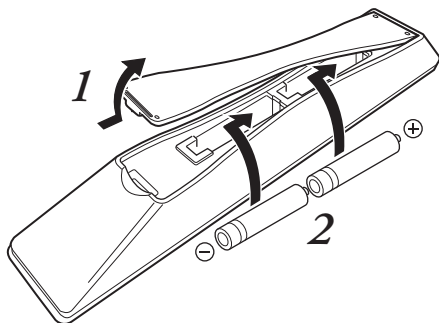
VOLUME +/- knappar på fjärrkontrollen påverkar inte nivån på ljudvolymen om EXT. DIRECT är vald som ingångskälla. När nivån på ljudvolymen ska justeras, ska volymreglaget användas på den externa förstärkaren som är ansluten till EXT. IN-uttag.

9 MUTE-knapp

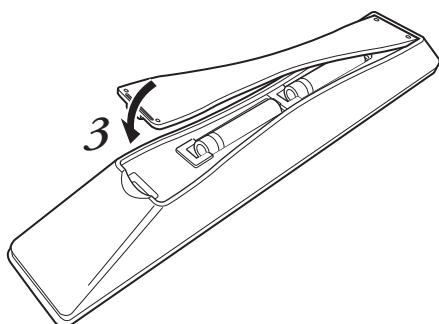
Minskar den aktuella nivån på ljudvolymen med cirka 20 dB. Tryck på knappen igen för att återställa ljudutgången till föregående nivå på ljudvolymen. Trycka på VOLUME + eller - knappen på fjärrkontrollen avbryter också dämpning.

Sätta i batterier i fjärrkontrollen

- 1 Ta bort batterifacketets lucka.
- 2 Sätt i två batterier (AAA, R03, UM-4) i korrekt riktning (+ och -) angiven på insidan av batterifacket.



- 3 Sätt tillbaka batterifacketets lock.



VARNING

- Kasta inte batterierna i öppen eld eller exponera dem för höga temperaturer, t.ex. direkt solljus eller öppen eld. Annars kan batteriet explodera, och orsaka brand eller skada.
- Försök inte ladda om icke uppladdningsbara batterier. Annars kan batterier explodera eller läcka, vilket kan orsaka blindhet, kemiska brännskador eller skador.
- Om ett batteri läcker, ska du undvika kontakt med vätskan. Annars kan blindhet eller kemiska brännskador uppstå. Om dina ögon, mun eller hud kommer i kontakt med vätskan, ska du omedelbart skölja med vatten och uppsöka läkare.

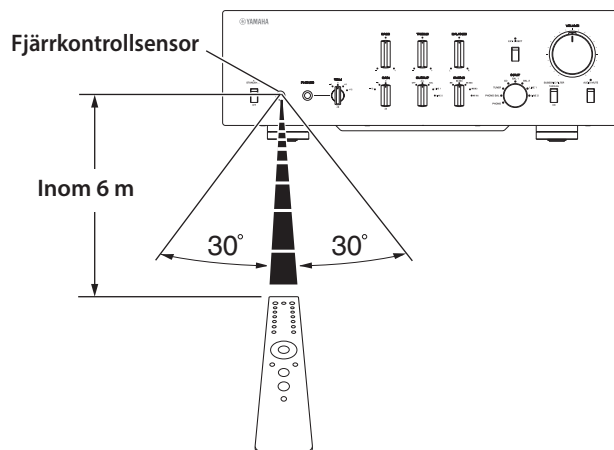


FÖRSIKTIGHET

- Använd inte nya och gamla batterier tillsammans. Annars kan brand, brännskador eller irritation uppstå pga av läckande batterivätska.
- Använd inte två olika typer av batterier samtidigt. Om du till exempel använder ett alkaliskt batteri och ett manganbatteri tillsammans, eller två batterier från två olika tillverkare eller med olika produktnummer samtidigt, kan det orsaka brand, brännskador eller hudirritation på grund av läckande batterivätska.
- Håll batterierna utom räckhåll för barn. Annars kan barn svälja batteriet av misstag. Läckande batterivätska kan också orsaka hudirritation.
- Sätt i de två batterierna enligt markeringarna för polaritet (+ and -). Annars kan brand, brännskador eller irritation på hud uppstå pga av läckande batterivätska.
- Om du planerar att inte använda fjärrkontrollen under en längre period, eller om batterierna är helt uttömda, ska du ta bort dem från fjärrkontrollen. Annars blir alla batterier i slutändan uttömda och kan läcka, vilket orsakar hudirritation eller skador på fjärrkontrollen.

Använda fjärrkontrollen

För att styra fjärrkontrollen, rikta den direkt mot fjärrkontrollsensorn på enhetens frontpanel.



Anslutningar

I det här avsnittet förklaras hur du ansluter enheten till en ljudkälla, t.ex. en stereoanläggning eller en CD-spelare, och en effektförstärkare.



FÖRSIKTIGHET

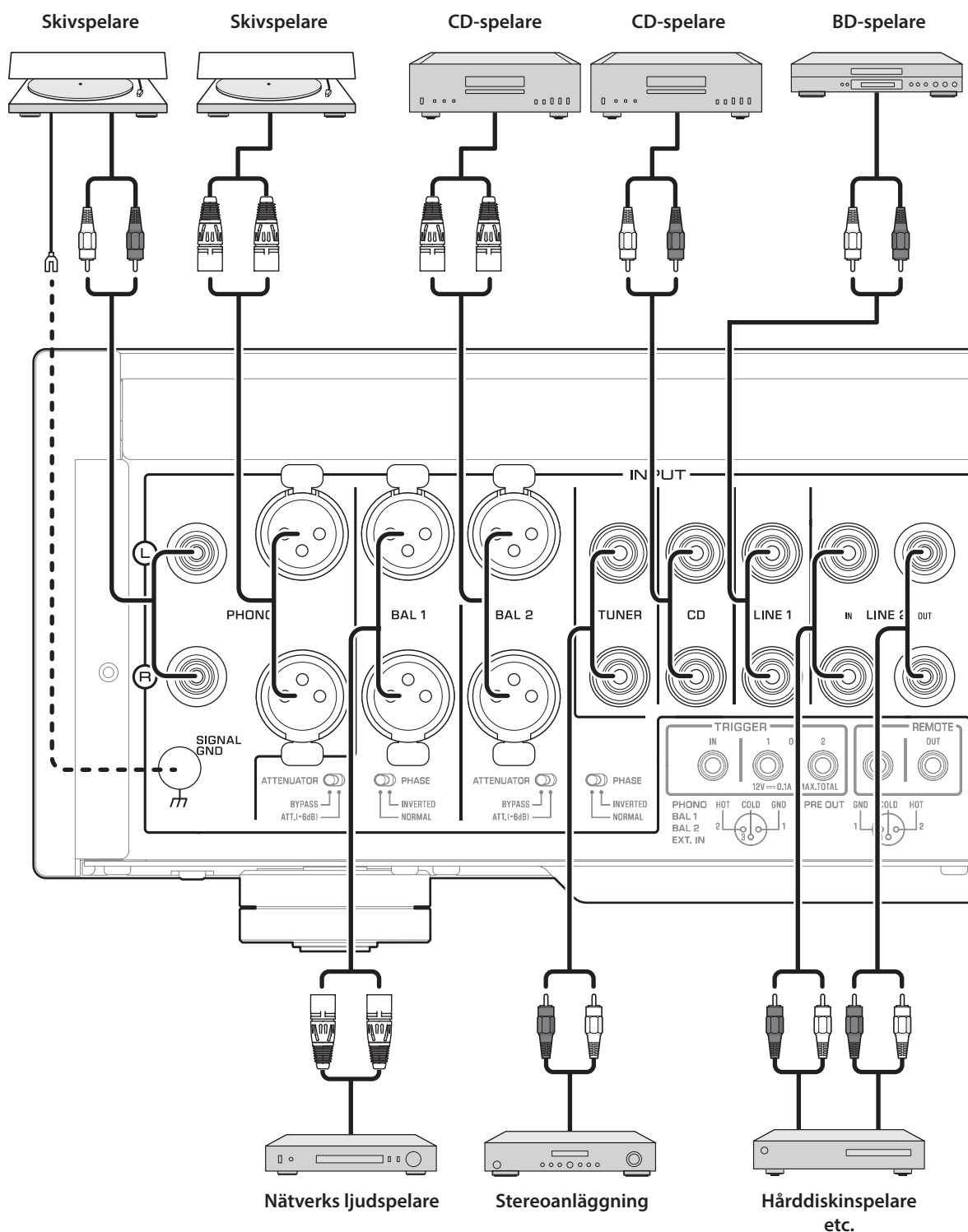
Stäng av strömmen till alla komponenter innan du gör några anslutningar.

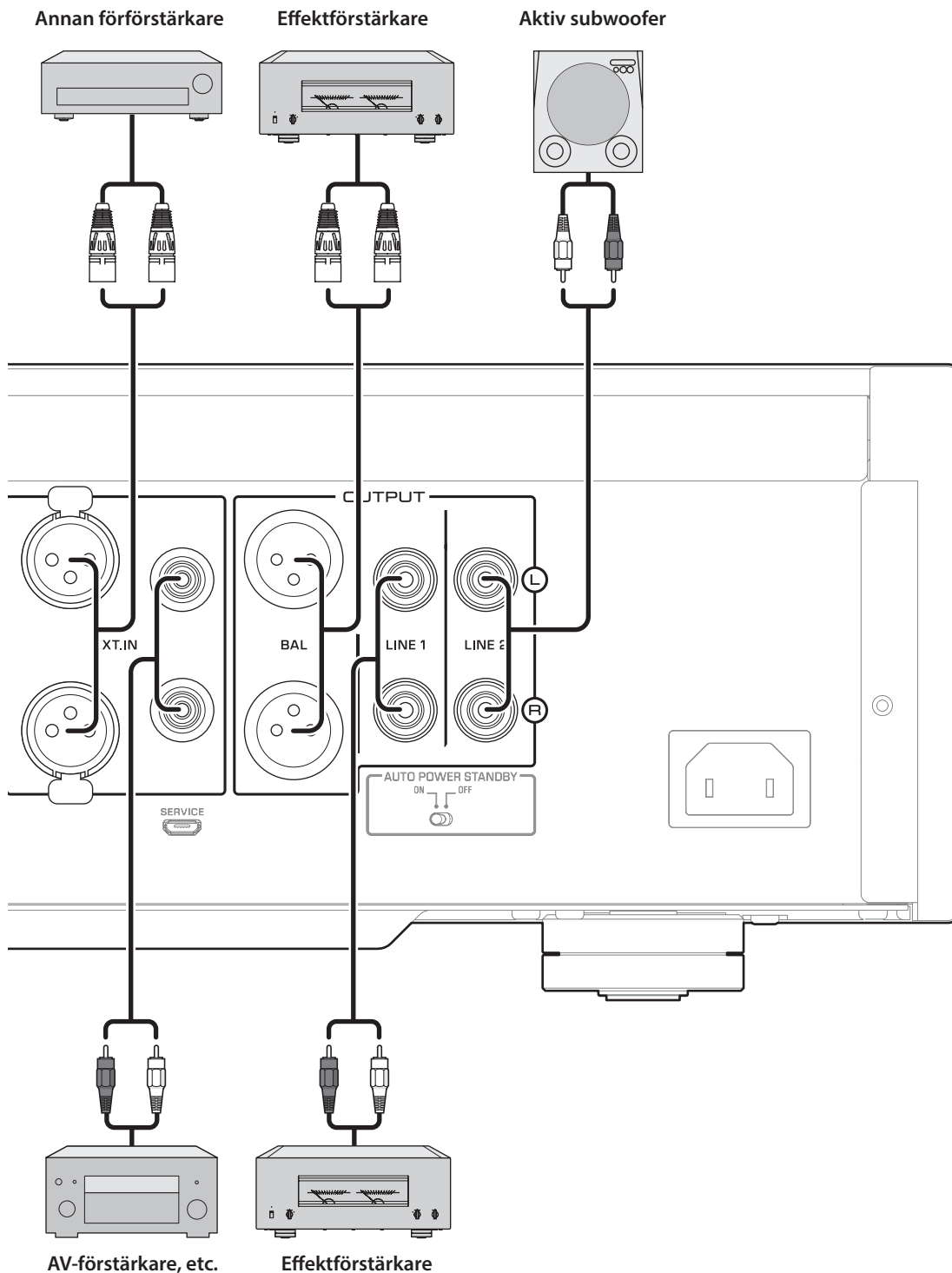
MEDDELANDE

- Använd inte balanserade och obalanserade anslutningar mellan två komponenter samtidigt. Sådan användning av kablar skulle skapa en jordningsslinga som kan generera elektrostatisk laddning och brus.
- Om du funderar på att ansluta externa komponenter, ska du läsa och följa instruktionsmanualen för dessa komponenter. Annars kan enheten eller externa komponenter fungera felaktigt.

C-5000

Ansluta en extern komponent





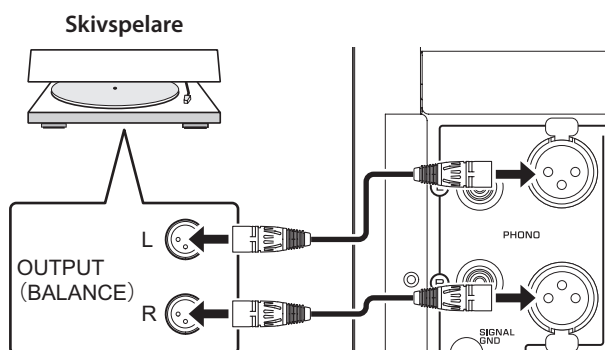
MEDDELANDE

Använd inte balanserade och obalanserade anslutningar mellan två komponenter samtidigt. Sådan användning av kablar skulle skapa en jordnings slinga som kan generera elektrostatisk laddning och brus.

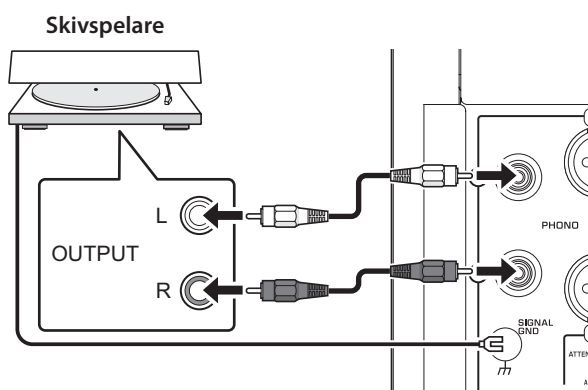
Ansluta en skivspelare

Anslut skivspelaren till PHONO-uttagen på denna enhet. Enheten tillhandahåller balanserade uttag av typen XLR och obalanserade ingångar av typen RCA.

Balanserad anslutning



Obalanserad anslutning



Obs!

Om du ansluter skivspelaren till RCA-uttag på denna enhet, ska du lyssna och jämför ljudet med SIGNAL GND (jordad) terminal ansluten och frånkopplad, och sedan välja vilken som är avger minst brus.

MEDDELANDE

Använd inte balanserade och obalanserade anslutningar mellan denna enhet och skivspelaren samtidigt. Sådan användning av kablar skulle skapa en jordningsslinga som kan generera elektrostatisk laddning och brus.

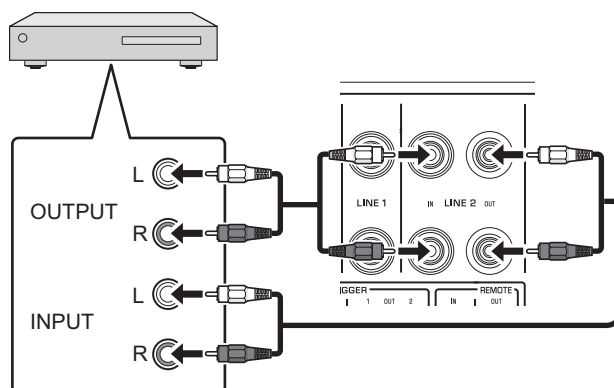
Ansluta en inspelningskomponent

Du kan ansluta en inspelningsapparat, till exempel en inspelare med hårddisk till enheten, och spela in ljudinmatning från enheten. Anslut inspelningskomponenten till båda LINE 2 IN-uttag och LINE 2 OUT-uttag (inspelning).

Obs!

- Se till att du ansluter till LINE 2 IN-uttag och LINE 2 OUT-uttag (inspelning) till samma komponent.
- Signalen från LINE 2 OUT-uttagen (inspelning) är väsentligen identisk med signalen från de utgångsuttag som anges av OUTPUT-väljare. Om INPUT-väljaren är inställd på LINE 2, kommer ingen signal att matas ut på LINE 2 OUT-uttagen (inspelning).

Hårddiskinspelare etc.



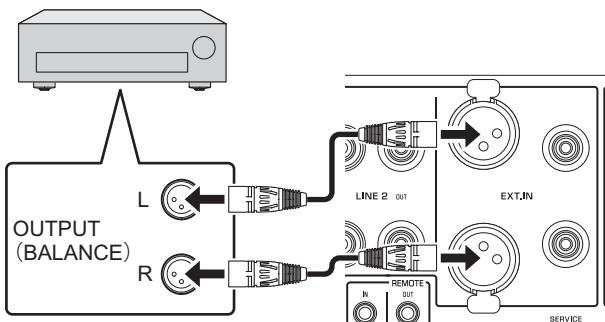
Ansluta en annan förförstärkare

Om du kopplar utgången från en annan förförstärkare till EXT. IN-uttagen på enheten och tryck på EXT. Med DIRECT-knappen, kommer källsignalen att passera genom enheten och matas ut till den anslutna effektförstärkaren. Källsignalen matas in på den balanserade EXT. IN-uttagen. Källsignalen matas in på de obalanserade BAL-uttagen. Källsignalen matas in på LINE 1 och LINE 2-uttag.

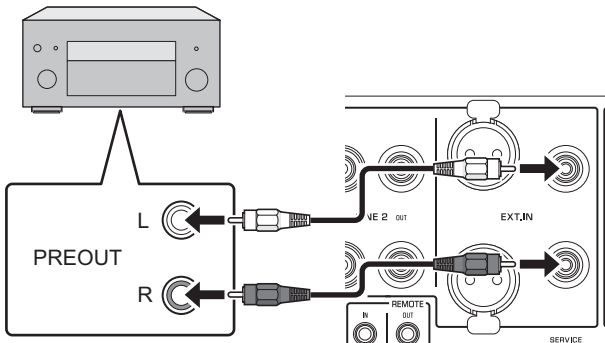
Obs!

Om EXT. DIRECT-knappen slås på, hör du inte något ljud från de hörlurar som är anslutna till PHONES-uttaget.

Annan förförstärkare



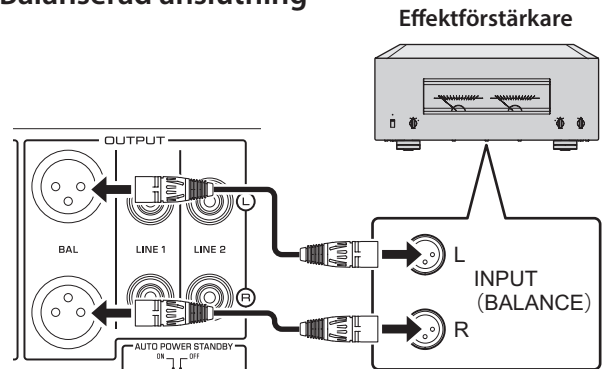
AV-förstärkare, etc.



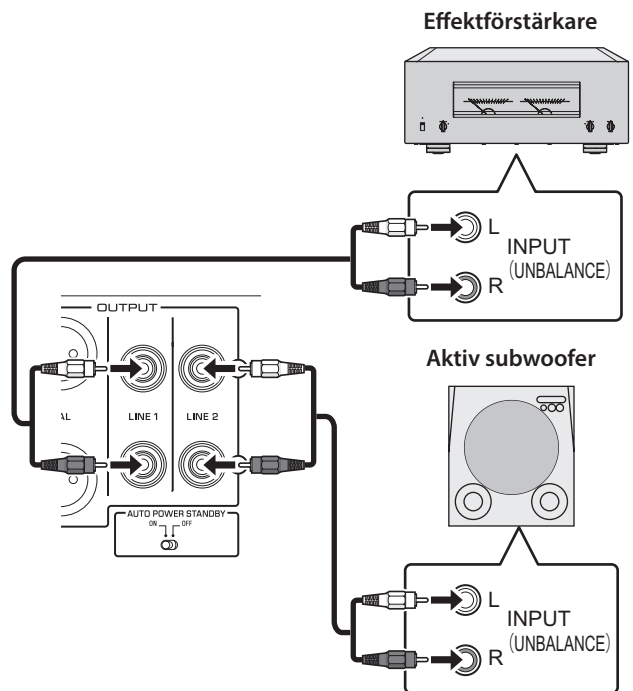
Ansluta a effektförstärkare och en aktiv subwoofer

Du kan ansluta en effektförstärkare och en aktiv subwoofer till BAL, LINE 1, eller LINE 2 utgångar på denna enhet.

Balanserad anslutning



Obalanserad anslutning



MEDDELANDE

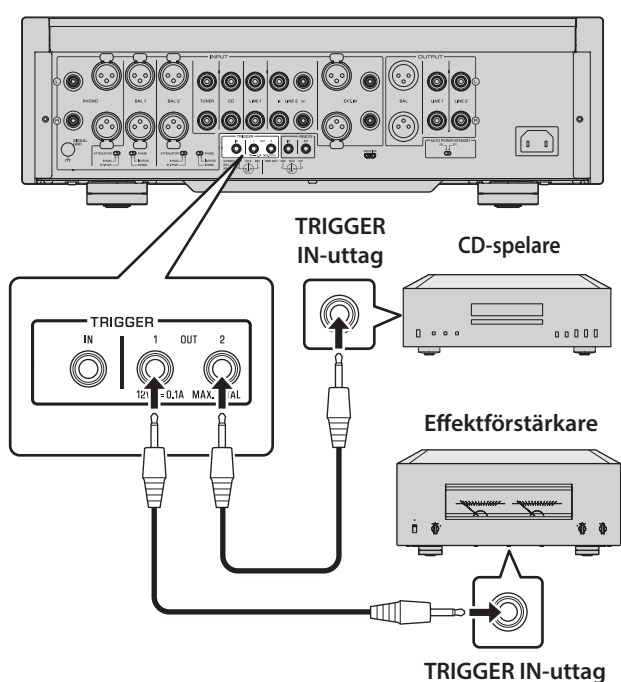
Använd inte balanserade och obalanserade anslutningar mellan två komponenter samtidigt. Sådan användning av kablar skulle skapa en jordningsslinga som kan generera elektrostatisk laddning och brus.

Trigger-anslutningar

Kontroll av strömmen på och av för en ansluten komponent, t.ex. en effektförstärkare, synkroniserad med enheten

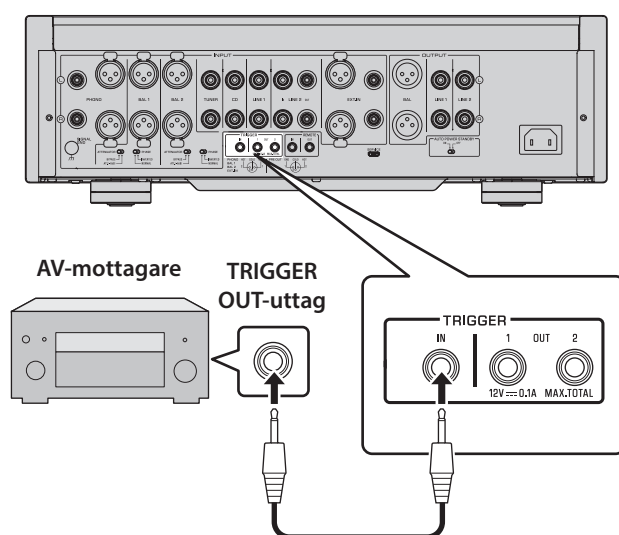
Du kan kontrollera strömmen på och av för en ansluten komponent, till exempel en Yamaha CD-spelare eller effektförstärkare, synkroniserad med enheten.

Använd en systemkabel för att ansluta enhetens TRIGGER OUT-uttag till den anslutna komponentens TRIGGER IN-uttag.



Kontrollera enhetens ström på och av i synkronisering med en ansluten komponent, t.ex. en AV-mottagare

Du kan kontrollera enhetens ström på och av i synkronisering med en ansluten komponent, t.ex. en Yamaha AV-mottagare. Använd en valfri systemkabel för att ansluta enhetens TRIGGER IN-uttag till den anslutna komponentens TRIGGER OUT-uttag. Medan enheten är i standby-läge och strömmen slås på till den anslutna komponenten slås också enheten på och signalen vid EXT. IN-uttag väljs som ingångskälla. När strömmen till den anslutna komponenten är avstängd, går enheten in i standby-läge.



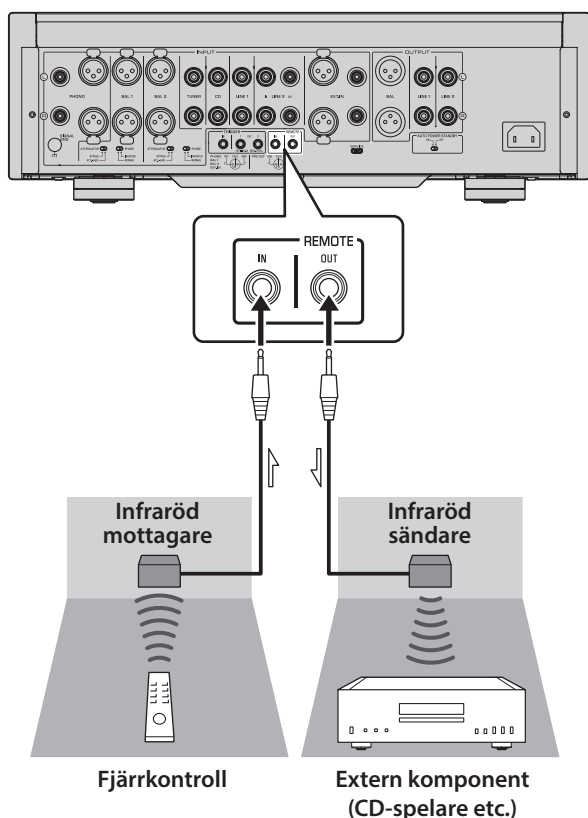
Obs!

- Stängs strömknappen på enheten till AV, kommer strömmen till enheten inte att utlösas från en ansluten komponent.
- Om inte ingångskällan väljs via EXT. DIRECT-knappen, när du stänger av den anslutna komponenten stänger inte av strömmen till enheten.

Fjärranslutningar

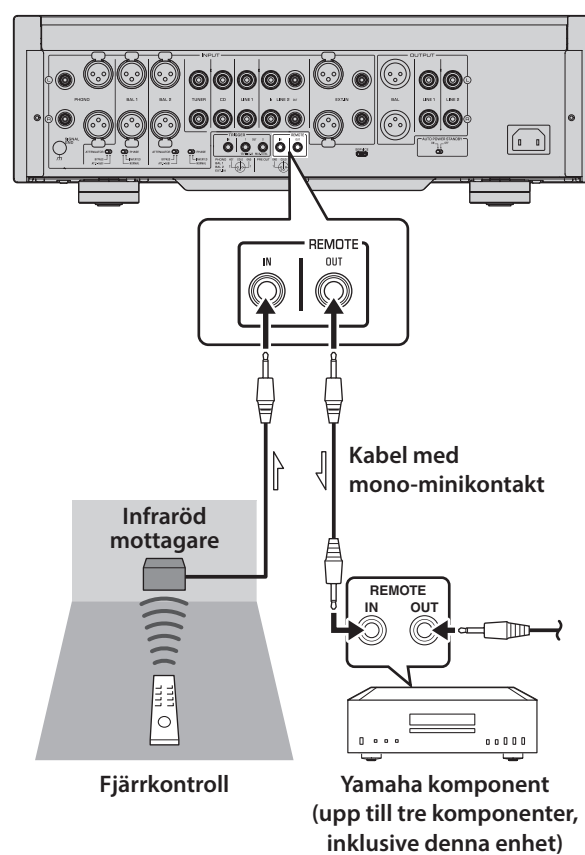
Använda enheten från ett annat rum

Om du ansluter en infraröd mottagare och sändare till enhetens REMOTE IN/OUT-uttag, kommer du att kunna använda enheten och/eller extern komponent från ett annat rum med den medföljande fjärrkontrollen.



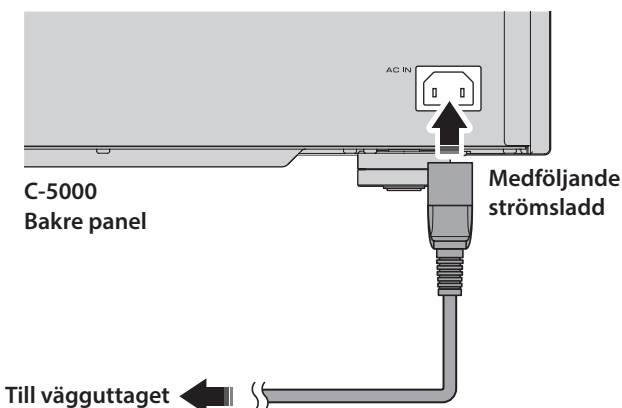
Fjärranslutning mellan Yamaha-komponenter

Om du har en annan Yamaha-komponent som stöder fjärranslutningar, som denna enhet gör, är det inte nödvändigt med en IR sändare. Du kan sända fjärranslutna signaler genom att ansluta en infraröd mottagare till enhetens REMOTE IN-uttag, och REMOTE IN-uttaget på den andra komponenten till enhetens REMOTE OUT-uttag, och kablar med mono-minikontakt. Upp till tre Yamaha-komponenter (inklusive denna enhet) kan ställas in för fjärranslutning.



Ansluta strömsladden

När alla anslutningar är slutförda, ska du se till att STANDBY/ON/OFF-knappen (ström) är avstängd. Sätt sedan i stickkontakten i AC IN-kontakten på enheten, och anslut den sedan till vägguttaget.



VARNING

- Om du märker något av följande onormala förhållanden, stäng av strömmen till enheten omedelbart och dra ur stickkontakten från vägguttaget.
 - Strömsladden eller kontakten är skadad.
 - Enheten avger lukt, konstigt ljud eller rök.
 - Vätska har spillts eller föremål har fallit in i enheten.
 - Ljudet dämpas plötsligt under drift.
 - Enheten är sprucken eller skadad.

Annars kan fortsatt användning av enheten leda till elektrisk stöt, brand eller funktionsstörning. Kontakta närmaste Yamaha-återförsäljare eller servicecenter för kontroll eller reparation.

- Rör inte strömsladden eller kontakten under åskväder. Annars kan en elektrisk stöt uppstå.
- Var noga med att använda ett vägguttag med den spänning som är märkt på enheten. Om enheten är inkopplad i ett uttag med olämplig spänning, kan det orsaka brand, elstöt eller funktionsstörning.
- Använd endast den medföljande strömsladden. Använd inte den medföljande strömsladden med andra enheter. Annars kan brand, brännskador eller funktionsstörning uppstå.
- Anslut enheten till ett vägguttag som är klart synligt och lätt att nå, så att du enkelt kan koppla ur enheten från vägguttaget i nödfall. Även om strömbrytaren är avstängd, strömmar en minimal elektrisk ström fortfarande i enheten, om du inte kopplar ur enheten från vägguttaget.
- Om ett åskväder närmar sig, ska du stänga av strömmen till enheten omedelbart och dra ur stickkontakten från vägguttaget. Annars kan brand eller funktionsstörning uppstå.
- Om du planerar att inte använda enheten under en längre period, ska du dra ur stickkontakten från vägguttaget. Annars kan brand eller funktionsstörning uppstå.



FÖRSIKTIGHET

- Använd inte ett vägguttag som är så lös, att kontakten inte håller sig ordentligt på plats. Annars kan brand, elektrisk stöt eller brännskador uppstå.
- När du kopplar bort stickkontakten från vägguttaget, ska du ta tag i stickkontakten och inte i själva sladden. I annat fall kan strömsladden skadas, vilket orsakar elektrisk stöt eller brand.
- Sätt i stickkontakten i vägguttaget ordentligt. Om kontakten inte är helt isatt, kan användning av enheten orsaka elektriska stötar. Eller damm kan byggas på kontakten och orsaka brand eller brännskador.

MEDDELANDE

Om du planerar att inte använda enheten under en längre period, ska du dra ur stickkontakten från vägguttaget. Även när STANDBY/ON/OFF-knappen (Ström) är avstängd (strömindikatorn har slocknat), finns det fortfarande en minimal mängd ström i enheten.

Operationer

Avsnittet beskriver grundläggande operativa förfaranden.
Du kan följa dessa förfaranden för att utnyttja enhetens funktioner.
Dessa förfaranden är endast avsedda som exempel.

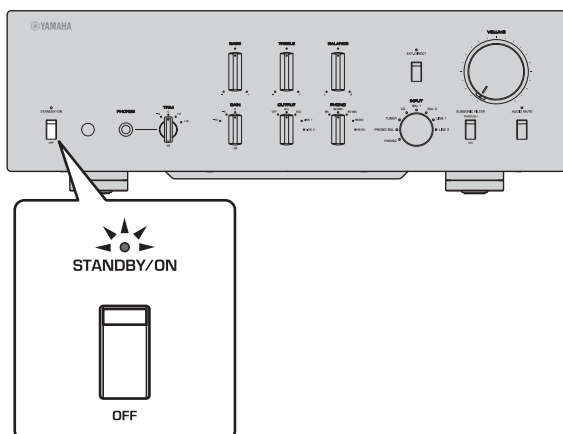
Slå på strömmen



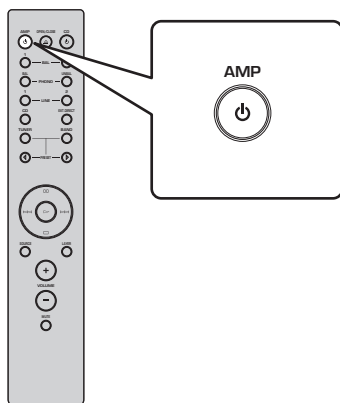
FÖRSIKTIGHET

Se till att ljudvolymen har sänkts till ett minimum innan du slår på strömmen.

Slå på strömmen med STANDBY/ON/OFF-knappen (ström) på frontpanelen till STANDBY/ON.



Om enheten är i standby-läge kan du även slå på strömmen med fjärrkontrollen.



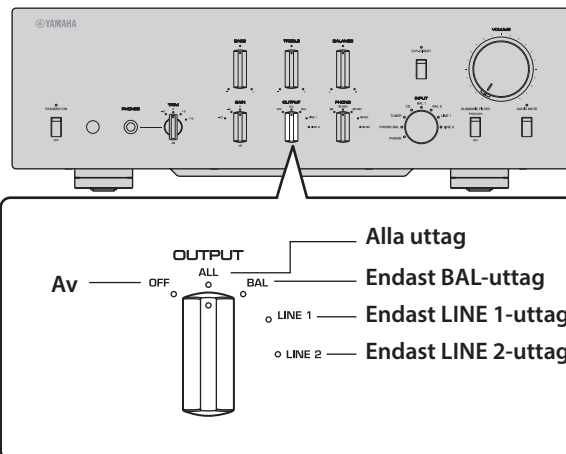
MEDDELANDE

Slå på strömmen till alla komponenter i följande ordning: effektförstärkare, förförstärkare (denna enhet), övriga komponenter (till exempel en CD-spelare och skivspelare).

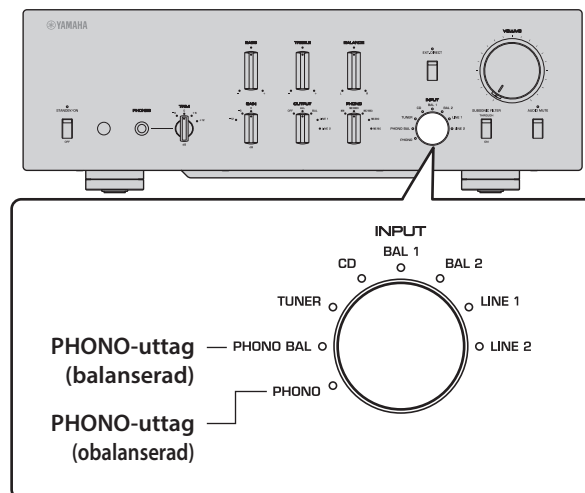
Kasta om denna sekvens när du stänger av strömmen.

Välja ingång och utgång

Välj ett par utgångar med hjälp av OUTPUT-väljare.

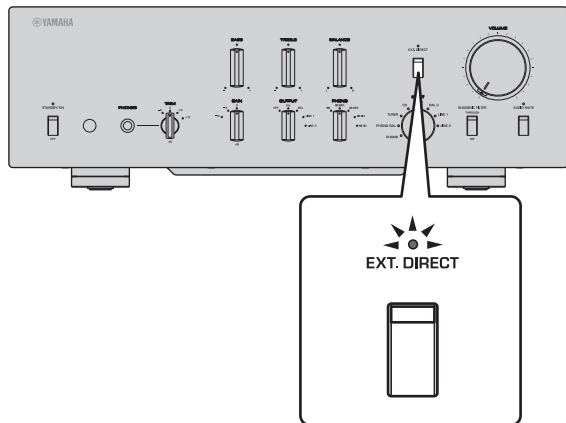


Välj ljudkälla med hjälp av INPUT-väljare.



De motsvarande indikatorerna tänds.

Välja ingång från EXT.IN-uttagen



Tryck på EXT. DIRECT-knapp. EXT. DIRECT-indikatorn tänds. Inställning av INPUT-väljare kommer att inaktiveras och ingången för ljudkällan från EXT. IN-uttag kommer att matas ut vid ett par av utgångarna. Inmatning från källsignalen vid de balanserade ingångarna kommer att matas ut på balanserade BAL-utgångar. Inmatning från källsignalen vid LINE-ingångarna kommer att matas ut på utgångarna LINE 1- och LINE 2-utgångarna.

Om du trycker på EXT. Trycker på DIRECT-knappen igen eller vrider INPUT-väljaren, kommer den signal som anges av INPUT-väljaren att bli ingångskällan. EXT. DIRECT-indikatorn släcks.

Obs!

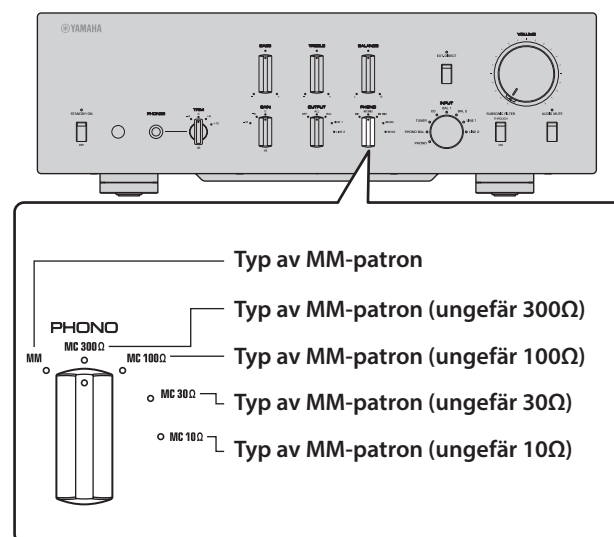
Om EXT. DIRECT är vald, och ingen signal matas ut vid LINE 2 OUT-uttagen (inspelning) eller vid PHONES-uttag.

Justering av inmatningsinställningen för skivspelaren

PHONO-väljare

Ställ in PHONO-väljaren enligt patronen för skivspelaren.

Alternativ för skivspelarens patron



FÖRSIKTIGHET

Om en typ av MM-patron används på skivspelaren, var noga med att ställa in PHONO-väljaren till MM.

Obs!

Etiketterna för impedans på PHONO-väljaren anger ungefärliga värden. Lyssna på och kontrollera ljudet med olika impedansinställningar för att välja det lämpligaste alternativet.

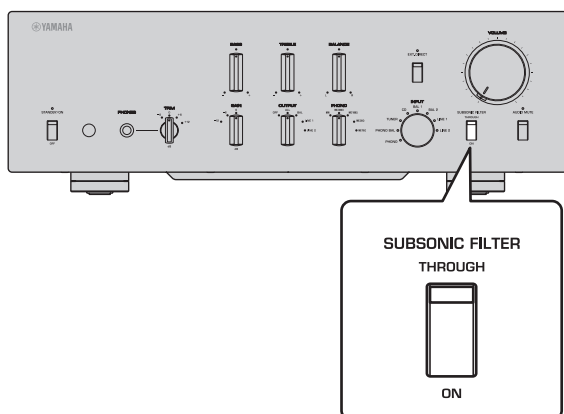
MEDDELANDE

Innan du byter patron, ska denna enhet vara avslagen.

Underljudsfilter

Slå på SUBSONIC FILTER-knappen för att tillämpa underljudsfiltret, efter behov.

En skivspelares tonarm som ger resonans eller förvrängt ljud från vinylskivan kan orsaka mycket lågfrekvent buller (underljud i form av brus) som kan påverka belastningen och skada högtalarna. Ett underljudsfilter tar bort sådant ljud för att skydda högtalarna.

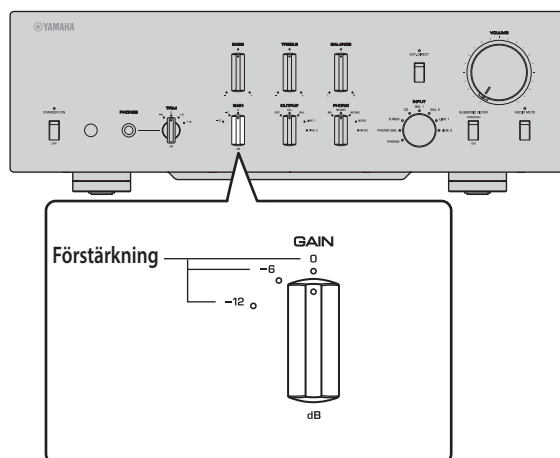


Obs!

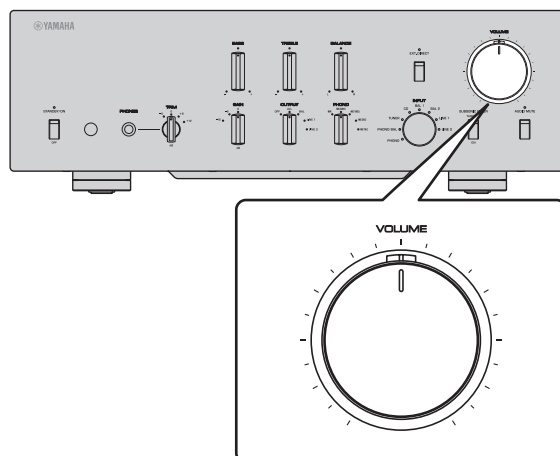
Underljudsfiltret är inaktiverat när någon annan ljudkälla än skivspelaren (ansluten till PHONO-uttagen) är vald som ingångskälla, även om SUBSONIC FILTER-knappen är påslagen.

Justera ljudvolymen

Ställ in förstärkningen med hjälp av GAIN-väljare så att du kan göra finjusteringar för ljudvolymen.

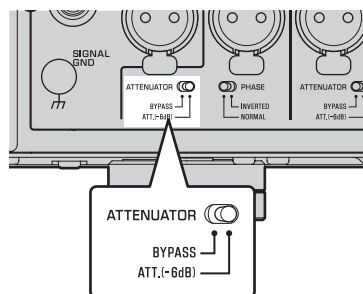


Justera nivån på ljudvolymen med hjälp av VOLUME-kontrollen.



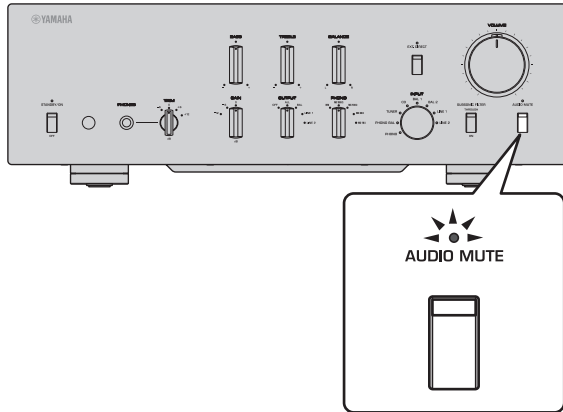
Obs!

Om du fortfarande hör distorsion även om VOLUME-kontrollen är sänkt, kan signalen överstiga den tillåtna inmatningsnivån. Om ljudkällan matas in på de balanserade ingångarna (BAL 1 eller BAL 2), ställ in ATTENUATOR-väljaren till ATT. (-6 dB).



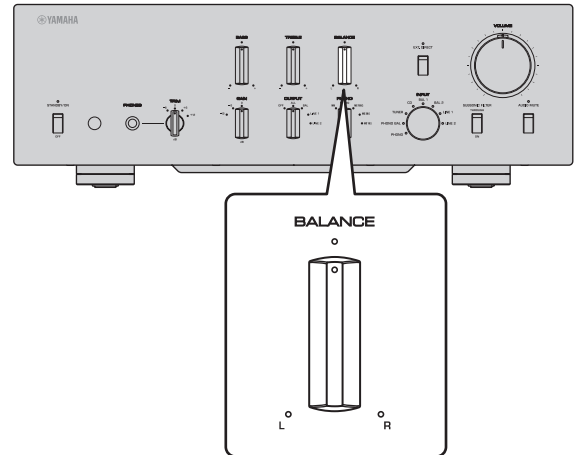
Sänka ljudvolymen tillfälligt

Tryck på AUDIO MUTE-knappen för att sänka den aktuella ljudvolymen med ungefär 20 dB. Tryck på knappen igen för att återställa den tidigare ljudvolymen.

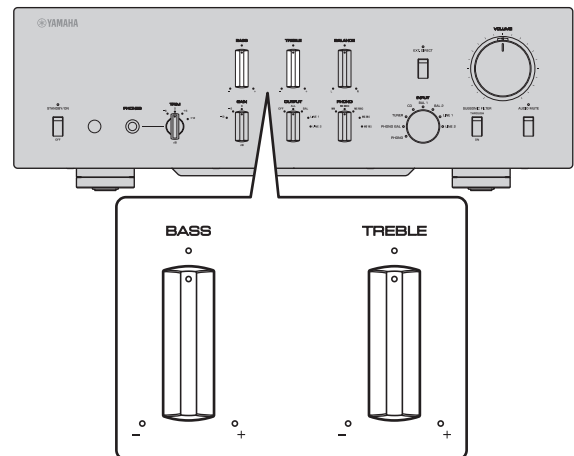


Justera tonen

Justera balansen på ljudvolymen mellan vänster och höger högtalare med hjälp av BALANCE-kontroll.



Justera nivån på ljudvolymen för de höga och låga områdena med hjälp av BASS och TREBLE kontrollen.

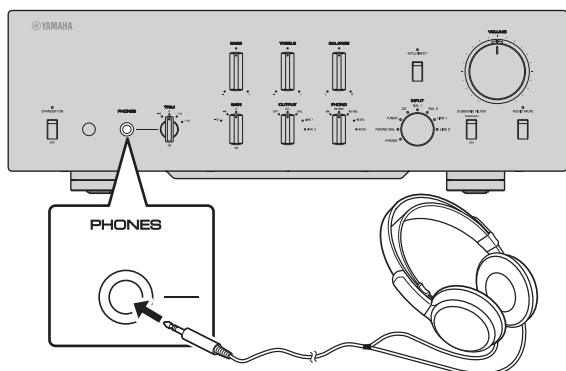


Obs!

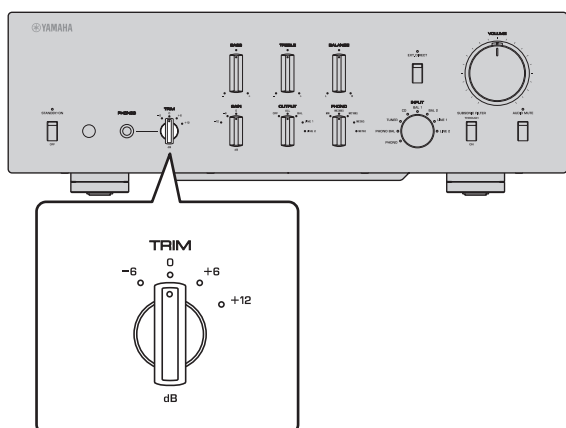
- Om båda BASS- och TREBLE-kontrollerna är inställda i mitten, kommer ljudsignalen att förbigå kretsen för tonkontrollen.
- Inställningar för BASS-, TREBLE-, och BALANCE-kontrollen påverkar inte ingångssignalerna vid EXT. IN-uttag eller utgående signaler vid LINE 2 OUT-uttagen (inspelning).

Ansluta hörlurar

Om hörlurarna är anslutna till PHONES-uttaget, kommer ingen signal att matas ut vid utgångarna (BAL, LINE 1, och LINE 2 utgångar) på bakpanelen.



Använd TRIM-väljare för att ställa in förstärkaren för hörlursförstärkaren så att du kan justera nivåbalansen mellan ljudutgången från PHONES-uttag och högtalarna för att undvika plötsliga ändringar i ljudvolymen.



Obs!

Om EXT. DIRECT är vald, kommer ingen signal att matas ut från PHONES-uttaget.

Referensmaterial

C-5000

Allmänna specifikationer

Märkutspänning/utimpedans

(ingång 200 mV, 20 Hz till 20 kHz, THD 0,01%)

BAL (BYPASS).....	2 Vrms/150Ω
BAL (ATT. -6dB).....	1 Vrms/150Ω
LINE 1/LINE 2.....	1 Vrms/150Ω
LINE 2 OUT (inspelning).....	200 mVrms/1,2 kΩ

Maximal utgångsspänning (1 kHz, THD 0,05%)

BAL.....	6 Vrms
LINE 1/LINE 2.....	3 Vrms
LINE 2 OUT (inspelning).....	3 Vrms

Ingångskänslighet/ingångsimpedans

BAL/LINE 1/LINE 2, 1 V

BAL 1/BAL 2.....	200 mVrms/52 kΩ
TUNER/CD/LINE 1/LINE 2 IN	200 mVrms/47 kΩ
EXT.IN.....	1 Vrms/20 kΩ

LINE 2 OUT (inspelning) (150 mV, 1 kHz)

PHONO (MC 300Ω).....	100 μVrms/300Ω
PHONO (MC 100Ω).....	100 μVrms/100Ω
PHONO (MC 30Ω).....	100 μVrms/30Ω
PHONO (MC 10Ω).....	100 μVrms/10Ω
PHONO (MM, XLR-typ).....	2,5 mVrms/52 kΩ
PHONO (MM, RCA-typ).....	2,5 mVrms/47 kΩ

Maximal ingångssignal för spänning

LINE 2 OUT (inspelning) (1 kHz, THD 0,05%)

BAL (BYPASS).....	2,8 Vrms
BAL (ATT. -6dB).....	5,6 Vrms
TUNER/CD/LINE 1/LINE 2 IN.....	2,8 Vrms
PHONO (MC).....	2 mVrms
PHONO (MM).....	50 mVrms
EXT.IN.....	5,6 Vrms

Frekvensåtergivning (JEITA, belastning 22 kΩ)

10 Hz till 100 kHz.....	+0/-3 dB
20 Hz till 20 kHz.....	+0/-0,3 dB

Total harmonisk distorsion + brus

(JEITA, ingång 0,5 V, 20 Hz till 20 kHz)

BAL 1/BAL 2/TUNER/CD/LINE 1/LINE 2 IN → BAL/LINE 1/LINE 2.....	0,0100%
PHONO (MC) → LINE 2 OUT (inspelning)	0,0200%
PHONO (MM) → LINE 2 OUT (inspelning)	0,0200%

Kanalseparation

(ingång 1,0 kΩ avslutad, 1 kHz/10 kHz, JEITA)

BAL 1/BAL 2/TUNER/CD/LINE 1/LINE 2 IN	110 dB eller högre
PHONO (MC).....	80 dB eller högre
PHONO (MM).....	98 dB eller högre

Funktionsseparation

(IHF-A nätverk, ingång 1,0 kΩ avslutad, JEITA)

BAL 1/BAL 2/TUNER/CD/LINE 1/LINE 2 IN	110 dB eller högre
PHONO (MC).....	75 dB eller högre
PHONO (MM).....	95 dB eller högre

Signal till brusfaktor

(IHF-A nätverk, ingång 1,0 kΩ avslutad, JEITA)

BAL 1/BAL 2/TUNER/CD/LINE 1/LINE 2 IN	110 dB eller högre
PHONO (MC 300Ω).....	80 dB eller högre
PHONO (MM).....	98 dB eller högre

Restbrus (IHF-A nätverk)

BAL/LINE 1/LINE 2.....	3 μV
------------------------	------

Tonkontrollkaraktistik

Bas	
Ökning/minskning.....	30 Hz/±9 dB
Omsättningsfrekvens.....	350 Hz
Diskant	
Ökning/minskning.....	20 kHz/±9 dB
Omsättningsfrekvens.....	3,5 kHz

Hörlursuttag med nominell effekt (1 kHz, 32Ω, 0,2% THD)

..... 35 mW + 35 mW

RIAA utjämningsavvikelsen

MC/MM ±0,5 dB

Egenskaper underljudsfilter

MC/MM 15 Hz/–3 dB

Strömförsörjning

[Modeller för USA och Kanada] ... AC 120 V, 60 Hz

[Modell för Kina] AC 220 V, 50 Hz

[Modell för Korea] AC 220 V, 60 Hz

[Modell för Australien] AC 240 V, 50 Hz

[Modeller för Storbritannien och Europa]
..... AC 230 V, 50 Hz

[Modell för Asien] ... AC 220–240 V, 50 Hz/60 Hz

[Modeller för Central- och Sydamerika,
och Taiwan] AC 110 V, 60 Hz

Effektförbrukning

..... 60 W

Energiförbrukning i standby-läge

Av 0,1 W

Standby 0,2 W

Mått (B x H x D)

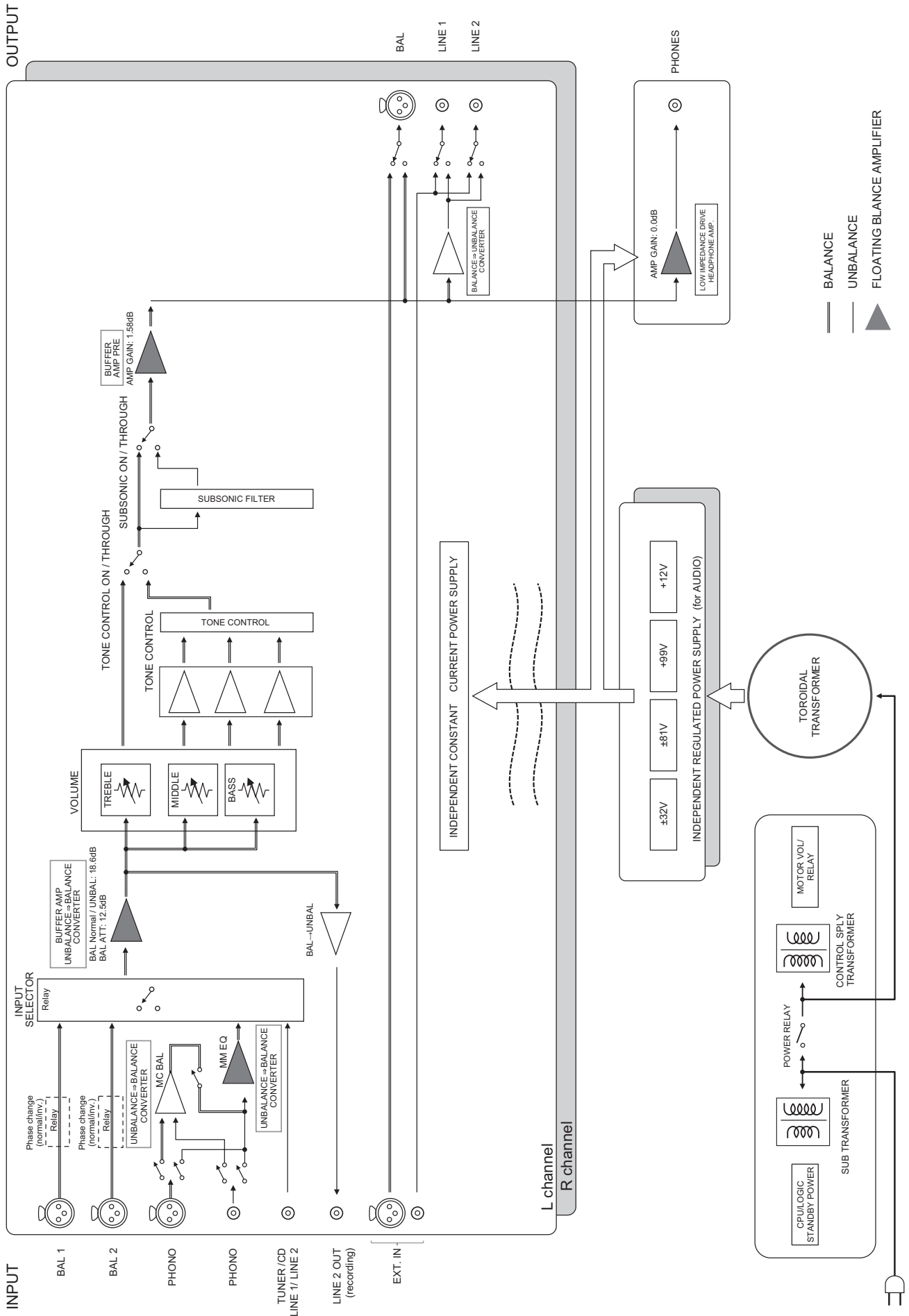
..... 435 × 142 × 451 mm

Vikt

..... 19,1 kg

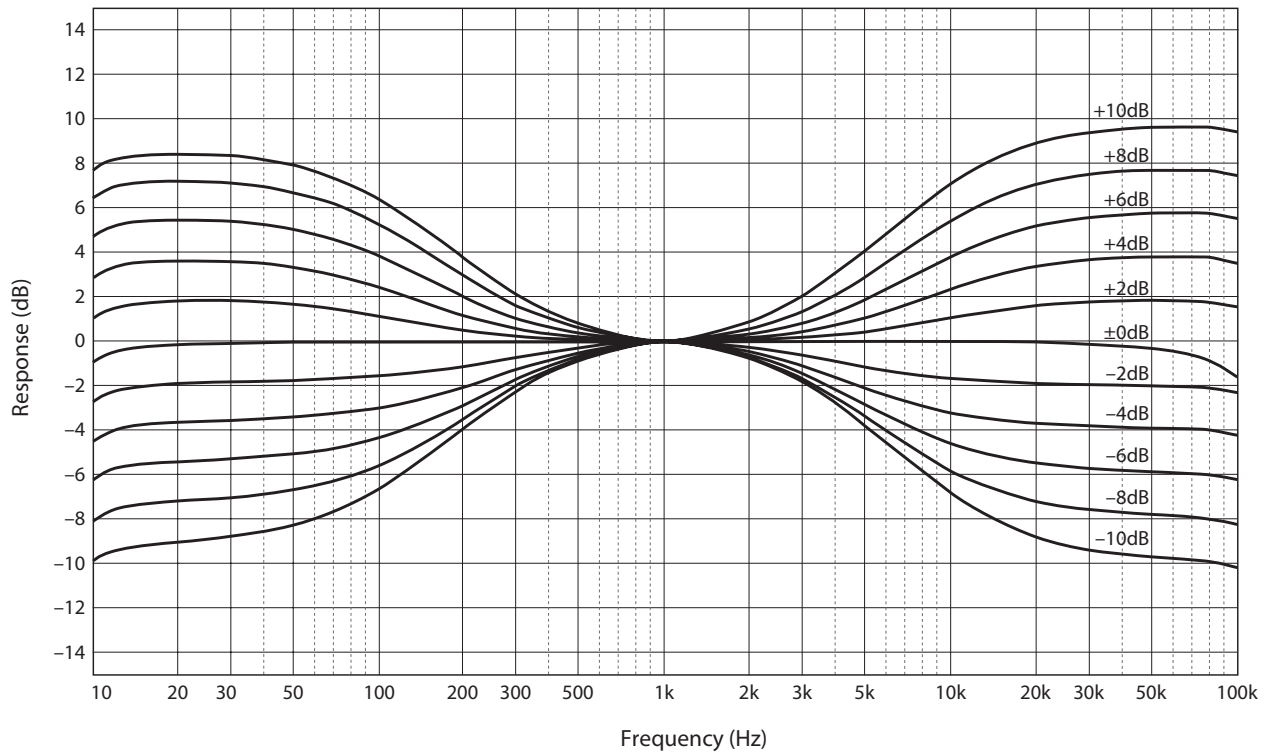
* Innehållet i denna bruksanvisning gäller de senaste specifikationerna vid publiceringsdatumet. Om du vill ha den senaste bruksanvisningen går du till Yamahas webbplats och laddar ned bruksanvisningsfilen.

Blockdiagram

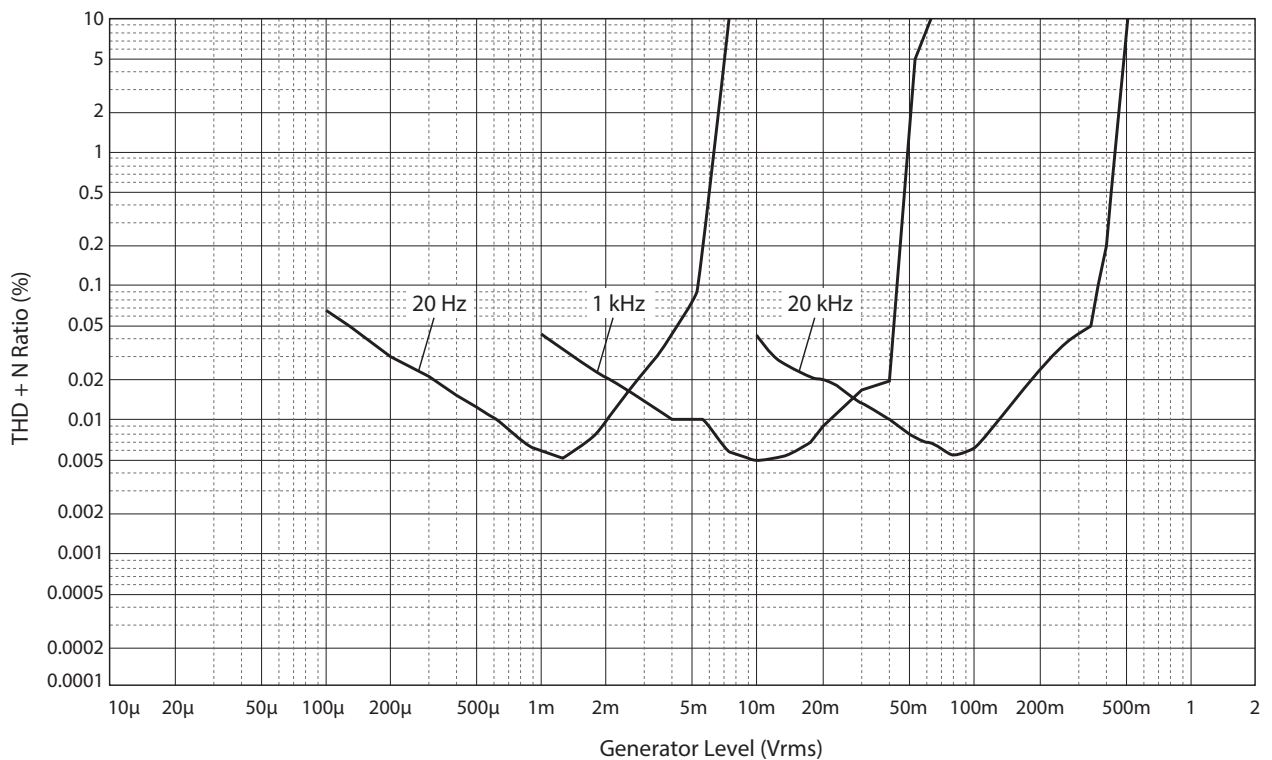


Ljudegenskaper

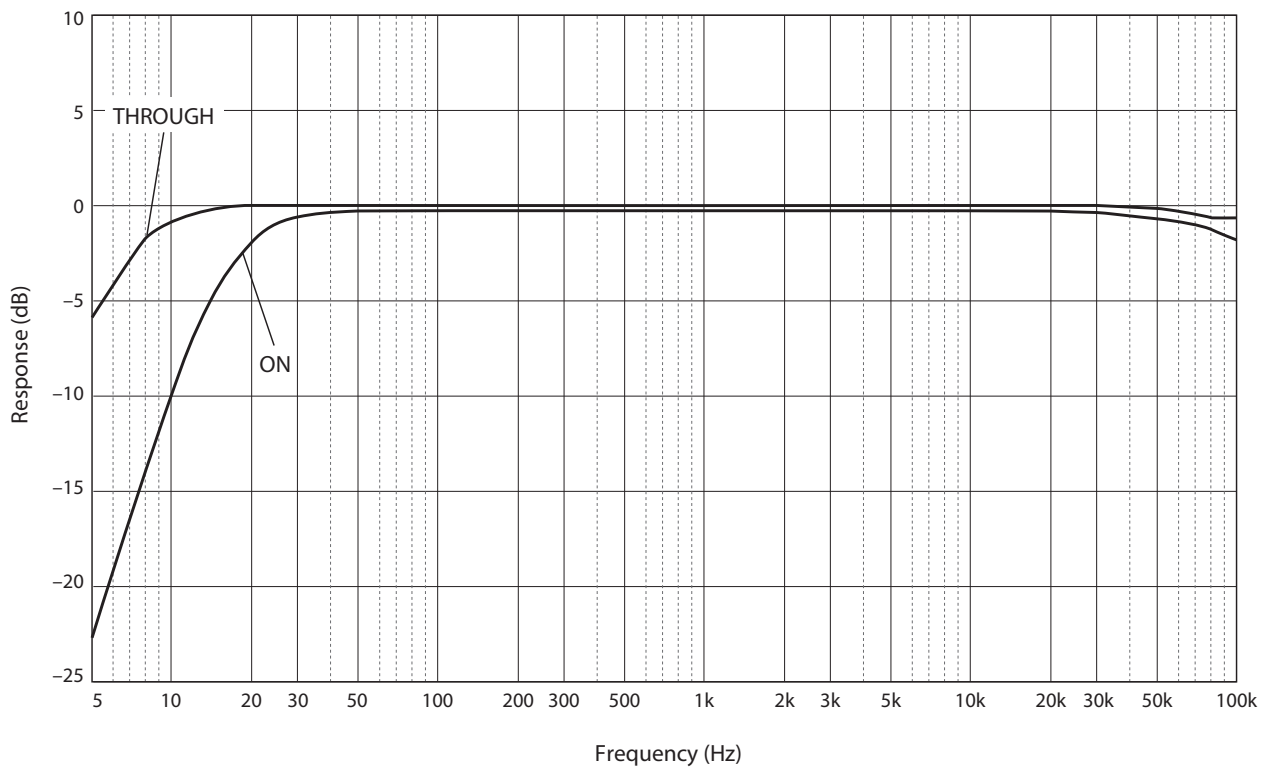
Frekvensåtergivning (tonkontroll)



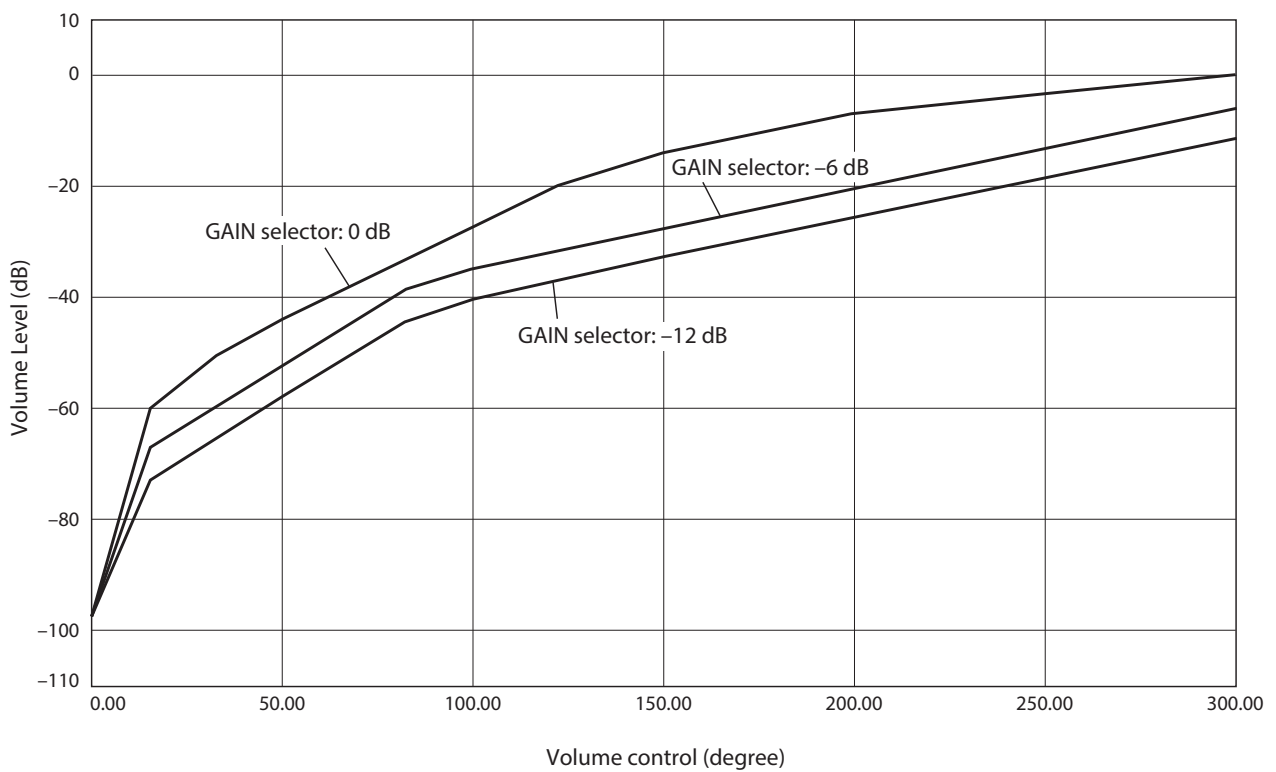
Total harmonisk distorsion (PHONO)



Underljudsfilter



Ljudvolymens kurva



Felsökning

Se tabellen nedan, om denna enhet inte fungerar som den ska. Om instruktionerna nedan inte hjälper, eller om problemet du upplever inte finns i listan nedan, stäng av enheten, dra ur stickkontakten och kontakta närmaste auktoriserade Yamaha-återförsäljare eller servicecenter.

Problem	Orsak	Korrigerande åtgärd	Se sidan
Strömmen slås inte på.	Stickkontakten är inte ansluten till AC IN-kontakten på bakpanelen eller inte ansluten till något vägguttag.	Anslut stickkontakten ordentligt.	146
	Denna enhet har utsatts för en kraftig extern elektrisk stöt (t.ex. ett blixtnedslag eller kraftig statisk elektricitet).	Slå av enheten, dra ur stickkontakten från vägguttaget, vänta i ca 30 sekunder och sätt koppla sedan in enheten igen.	146
	Det har uppstått ett problem med de interna kretsarna på denna enhet .	Koppla bort stickkontakten och kontakta närmaste auktoriserade -återförsäljare eller servicecenter.	146
Inget ljud hörs.	Inkorrekta anslutningar av kabel till ingång eller utgång.	Anslut kablarna korrekt. Om problemet fortsätter, kan det hända att kablarna är skadade.	140
	Ingen lämplig ingångskälla har valts.	Välj en lämplig ingångskälla med INPUT-väljaren på frontpanelen (eller en av väljarknapparna på fjärrkontrollen för inmatning).	148
	OUTPUT-väljaren stämmer inte överens med utgångarna som används.	Välj en lämplig utgång med OUTPUT-väljaren.	148
Nivån på ljudvolymen kan inte justeras.	EXT. DIRECT har valts som ingångskälla.	Justera nivån på ljudvolymen för den anslutna komponenten. Alternativt kan du ansluta den externa komponenten till ett par av ingångar utöver EXT. IN-uttag, och välj sedan motsvarande ingångskälla.	140 148
Endast en kanalhögtalare hörs.	Komponenten för uppspelning är inte korrekt ansluten.	Se till att anslutningarna är korrekt gjorda. Om problemet fortsätter, kan det hända att kablarna är skadade.	140

Problem	Orsak	Korrigerande åtgärd	Se sidan
Ett "brummande" ljud hörs.	Inkorrekta anslutningar av kabel till ingång eller utgång.	Anslut kablarna korrekt. Om problemet fortsätter, kan det hända att kablarna är skadade.	140
	Skivspelaren är inte jordad till GND-terminalen.	Anslut skivspelaren till GND-terminalen på den här enheten.	142
	Både balanserade och ledningskablar används samtidigt mellan två komponenter.	Använd inte både balanserade och ledningskablar samtidigt mellan två komponenter. Sådan användning av kablar skulle skapa en jordnings slinga som kan generera elektrostatisk laddning och brus.	141
Uppspelning av ljud från komponenten ansluten till BAL 1 eller BAL 2 balanserade ingångar hörs förvrängt ljud.	Nivån på signalen vid de balanserade ingångarna överstiger tillåtna ingångsnivån.	Om nivån på signalen vid de balanserade uttaget för typen av XLR på den anslutna komponenten för uppspelning fördubblas jämfört med de obalanserade RCA-uttagen, ställer du ATTENUATOR-väljaren under ingångarna till ATT. (-6 dB).	150
Bas saknar djup när BAL 1 eller BAL 2 (balanserad ingång) har valts.	Polariteten är felaktig.	Välj korrekt polaritet med hjälp av PHASE-väljaren.	134
Nivån på ljudvolymen på vinylplattan är för låg.	PHONO-knappen på frontpanelen är felaktigt inställd.	Ställ in PHONO-knappen på MM eller MC-positionen enligt typ av magnetisk patron på skivspelaren.	149
Fjärrkontrollen fungerar inte korrekt.	Fjärrkontrollen har använts utanför området för användning.	Fjärrkontrollen måste användas inom ett maximalt avstånd på 6 m och inte mer än 30 grader från axelns fjärrkontrollsensor på frontpanelen.	138
	Direkt solljus eller belysning (från en växelriktad typ av fluorescerande lampa, elektroniskt ljus etc.) på fjärrkontrollsensorn på frontpanelen.	Ändra orienteringen av belysningen eller placera om enheten.	138
	Batterierna är svaga.	Byt ut alla batterier.	138

Index

A

AC IN-utttag	146
Ansluta en inspelningskomponent	142
Ansluta en skivspelare	142
Ansluta en subwoofer	143
Ansluta hörlurar	152
Anslutning av en effektförstärkare	143
ATTENUATOR-väljare	150
AUDIO MUTE-knapp	151
AUTO POWER STANDBY-knappen	133

B

BAL 1-utttag	131
BAL 2-utttag	131
BALANCE-kontroll	151
Balanserad anslutning	134
BAL-utttag	133
BASS-kontroll	151

E

EXT. DIRECT-knapp	149
Externa In-uttag	143
EXT. IN-uttag	143

F

Fjärranslutning	145
Fjärrkontrollsensor	138

G

GAIN-väljare	150
--------------	-----

I

INPUT-väljare	148
---------------	-----

J

Jordanslutning	142
Justering av skivspelarens ingång	149

K

Knappen för underljudsfilter	150
------------------------------	-----

L

LINE 1-uttag	133
LINE 2 IN-uttag	132
LINE 2 OUT-uttag (inspelning)	132
LINE 2-uttag	133

O

Obalanserad anslutning	135
OUTPUT-väljare	148

P

PHASE-väljare	134
PHONES-uttag	152
Phono-uttag	142
PHONO-uttag	142
PHONO-väljare	149

R

REMOTE-uttag	145
--------------	-----

S

SERVICE-uttag	133
SIGNAL GND-anslutning	142
Signal jordanslutning	142
Slå på strömmen	126
STANDBY/ON/OFF-indikator	126
STANDBY/ON/OFF-knapp	126
Ström-indikator	126
Ström-knapp	126
SUBSONIC FILTER-knappen	150

T

TREBLE-kontroll	151
Trigger-anslutning	144
TRIGGER-uttag	144
TRIM-väljare	152

V

VOLUME-kontroll	150
-----------------	-----

Grazie e congratulazioni per aver acquistato questo prodotto Yamaha.

- ◆ Questo preamplificatore consente l'ascolto nella propria abitazione di suono stereo di alta qualità.
- ◆ Il presente manuale di istruzioni descrive funzioni, operazioni e procedure di collegamento dell'unità.
- ◆ Per un utilizzo corretto e sicuro del prodotto, si consiglia di leggere attentamente il presente manuale e il volantino sulla sicurezza (pubblicazione a parte).
Conservare il manuale in un luogo sicuro e accessibile per usi futuri.



La versione PDF del presente manuale è scaricabile dal seguente sito web Yamaha.

<https://download.yamaha.com/>

Caratteristiche

- ◆ Design simmetrico a due sezioni: sinistra-destra.
- ◆ Funzionamento di Classe A della trasmissione pienamente flottante e in tutte le sue fasi del segnale da ingresso a uscita
- ◆ Amplificatore pienamente flottante ed equalizzatore per giradischi bilanciato con ingressi bilanciati
- ◆ Controlli di alta precisione che adottano una struttura di sostegno proprietaria e interruttori a leva ad alta rigidità
- ◆ Doppio trasformatore progettato specificamente per l'audio e completamente separato dall'alimentatore di controllo
- ◆ La solida e stabile costruzione meccanica riduce significativamente l'impatto delle vibrazioni esterne
- ◆ Il circuito di controllo del tono dispone di un sistema di volume parallelo proprietario
- ◆ Piedini a punta in ottone dal nuovo design
- ◆ Funzione di controllo del guadagno che consente regolazioni ultra fini del volume

A proposito di questo manuale

- ◆ Le illustrazioni e le schermate in questo manuale vengono fornite esclusivamente a scopo descrittivo.
- ◆ Le denominazioni sociali e i nomi dei prodotti riportati nel manuale sono marchi o marchi registrati delle rispettive società.
- ◆ “ **AVVERTENZA**” descrive precauzioni da seguire per evitare la possibilità di lesioni gravi o perfino morte.
- ◆ “ **ATTENZIONE**” descrive precauzioni da seguire per evitare la possibilità di lesioni.
- ◆ “**AVVISO**” descrive precauzioni da seguire per evitare la possibilità di malfunzionamenti/danni al prodotto o danni ai dati.
- ◆ “**Nota**” descrive ulteriori informazioni sul prodotto.
- ◆ Prima di utilizzare il prodotto, assicurarsi di aver letto la pubblicazione separata “Volantino sulla sicurezza”.

Indice

Caratteristiche	162
A proposito di questo manuale	162
Accessori in dotazione	164
Manutenzione	164
Pannelli laterali lucidati a specchio	164
Superfici diverse dai pannelli laterali lucidati a specchio	164

Nomi e funzioni delle parti

Pannello anteriore	166
Pannello posteriore	170
Collegamenti bilanciati e non bilanciati	174
Telecomando	176
Installazione delle batterie nel telecomando	178
Funzionamento del telecomando.	178

Collegamenti

Collegamento di un componente esterno	180
Collegamento di un giradischi	182
Collegamento di un componente di registrazione	182
Collegamento di un altro preamplificatore.	183
Collegamento di un amplificatore di potenza e di un subwoofer attivo	183
Collegamenti di attivazione	184
Per controllare l'accensione e lo spegnimento di un componente collegato, come per esempio un amplificatore di potenza sincronizzandoli con l'unità	184
Per controllare l'accensione e lo spegnimento dell'unità sincronizzandoli con un componente collegato come per esempio un ricevitore AV	184

Collegamenti remoti	185
Come comandare l'unità da un'altra stanza	185
Connessione remota tra componenti Yamaha	185
Collegamento del cavo di alimentazione	186

Operazioni

Accensione	188
Selezione di ingresso e uscita	188
Selezione dell'ingresso dalle prese EXT.IN	189
Regolazione dell'impostazione di ingresso del giradischi	189
Selettore PHONO	189
Filtro subsonico	190
Regolazione del livello del volume	190
Riduzione momentanea del livello del volume.	191
Regolazione del tono	191
Collegamento delle cuffie	192

Materiali di riferimento

Specifiche generali	194
Diagramma a blocchi	196
Caratteristiche audio	197
Risposta in frequenza (controllo del tono).	197
Distorsione armonica complessiva (PHONO).	197
Filtro subsonico	198
Curva del volume	198
Risoluzione dei problemi	199
Indice	201

Accessori in dotazione

Assicurarsi che i seguenti accessori siano inclusi nella confezione.

- Telecomando
- Batterie (AAA, R03, UM-4) (x2)
- Cavo di alimentazione
- Manuale di istruzioni (questa pubblicazione)
- Volantino sulla sicurezza (pubblicazione separata)



AVVERTENZA

Non utilizzare il cavo fornito in dotazione per altri dispositivi.

Manutenzione

Effettuare una manutenzione periodica del prodotto onde assicurarne una lunga durata e utilizzo.



AVVERTENZA

- Ispezionare periodicamente il cavo di alimentazione per verificare se ha accumulato polvere. In tal caso, rimuovere completamente la polvere per evitare che provochi incendi o scosse elettriche.
- Non utilizzare prodotti aerosol o spray per la pulizia o la lubrificazione. I gas infiammabili possono accumularsi all'interno dell'unità e causare esplosioni o incendi.

AVVISO

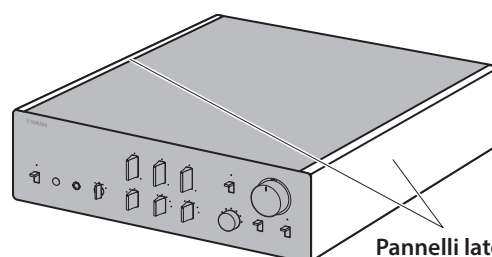
- Pulire l'unità con un panno morbido e asciutto. Non utilizzare prodotti per la pulizia come benzene o diluenti, detersivi o panni impregnati con altri prodotti chimici perché potrebbero modificare il colore o danneggiare la superficie. Se la superficie diventa molto sporca, inumidire un panno con del detersivo diluito con acqua, strizzarlo fortemente e rimuovere lo sporco.
- Non strofinare troppo forte in prossimità del logo Yamaha perché questo potrebbe staccarsi o delle fibre del panno potrebbero attaccarsi alla superficie.

Pannelli laterali lucidati a specchio

Consigliamo di utilizzare un panno per la pulizia come quelli prodotti per i pianoforti. Se la superficie è molto sporca, utilizzare un panno morbido inumidito con acqua e strizzato fortemente.

Superfici diverse dai pannelli laterali lucidati a specchio

Pulire le altre superfici con un panno morbido asciutto. Se la superficie diventa molto sporca, inumidire un panno con del detersivo diluito con acqua, strizzarlo fortemente e rimuovere lo sporco.

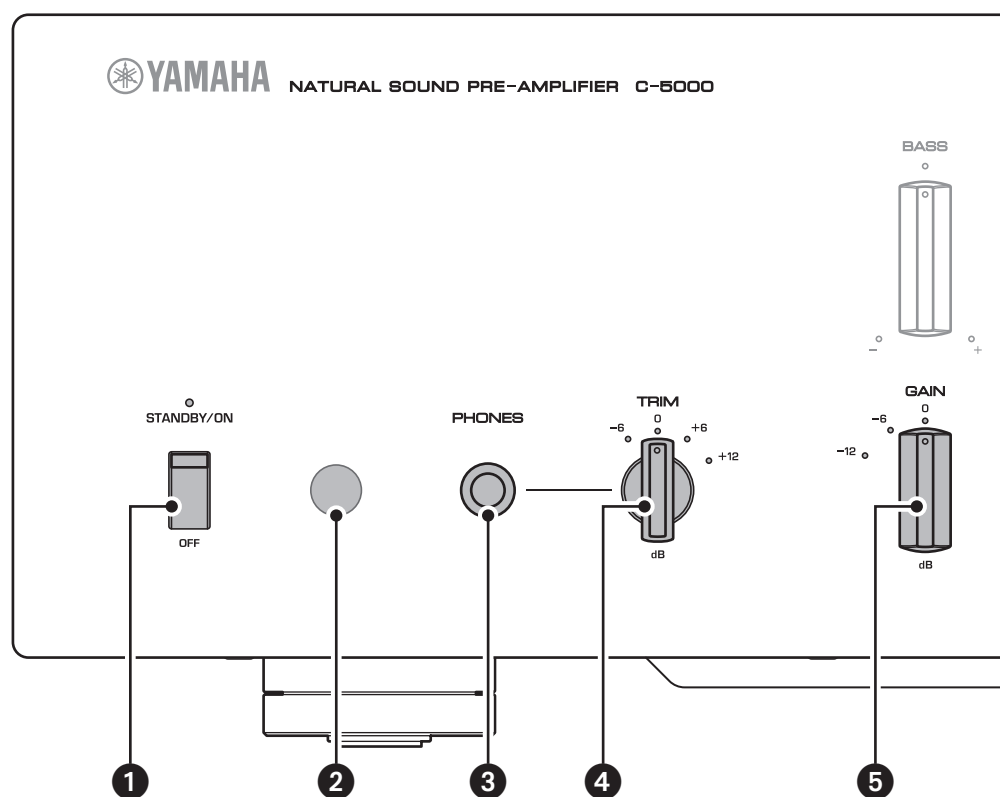


Pannelli laterali
lucidati a specchio

Nomi e funzioni delle parti

Questa sezione elenca i nomi e descrive le funzioni delle diverse parti sui pannelli anteriore e posteriore e sul telecomando.

Pannello anteriore



1 Interruttore/indicatore STANDBY/ON/OFF (alimentazione)

Accende (standby) o spegne l'unità.

STANDBY/ON: Commuta tra la modalità standby e l'accensione utilizzando il tasto AMP sul telecomando.

OFF: Spegne l'unità.

Stato alimentazione	Indicatore
Modalità acceso	Illuminato brillantemente
Modalità standby	Illuminato fiocamente
Modalità spento	Off

L'unità entrerà in modalità standby non solo alla pressione del tasto AMP sul telecomando, bensì anche in uno dei seguenti casi:

- Se l'unità è accesa ma inutilizzata da otto ore mentre la funzione di standby automatico è attiva, oppure
- Se si spegne il dispositivo collegato alla presa TRIGGER IN dell'unità.

Per maggiori informazioni, consultare “**17** Interruttore AUTO POWER STANDBY” nella sezione “Pannello posteriore” (pagina 173) e “Collegamenti di attivazione” (pagina 184).

Nota

Quando si accende quest'unità, occorrerà attendere alcuni secondi prima che essa sia in grado di riprodurre il suono.

AVVISO

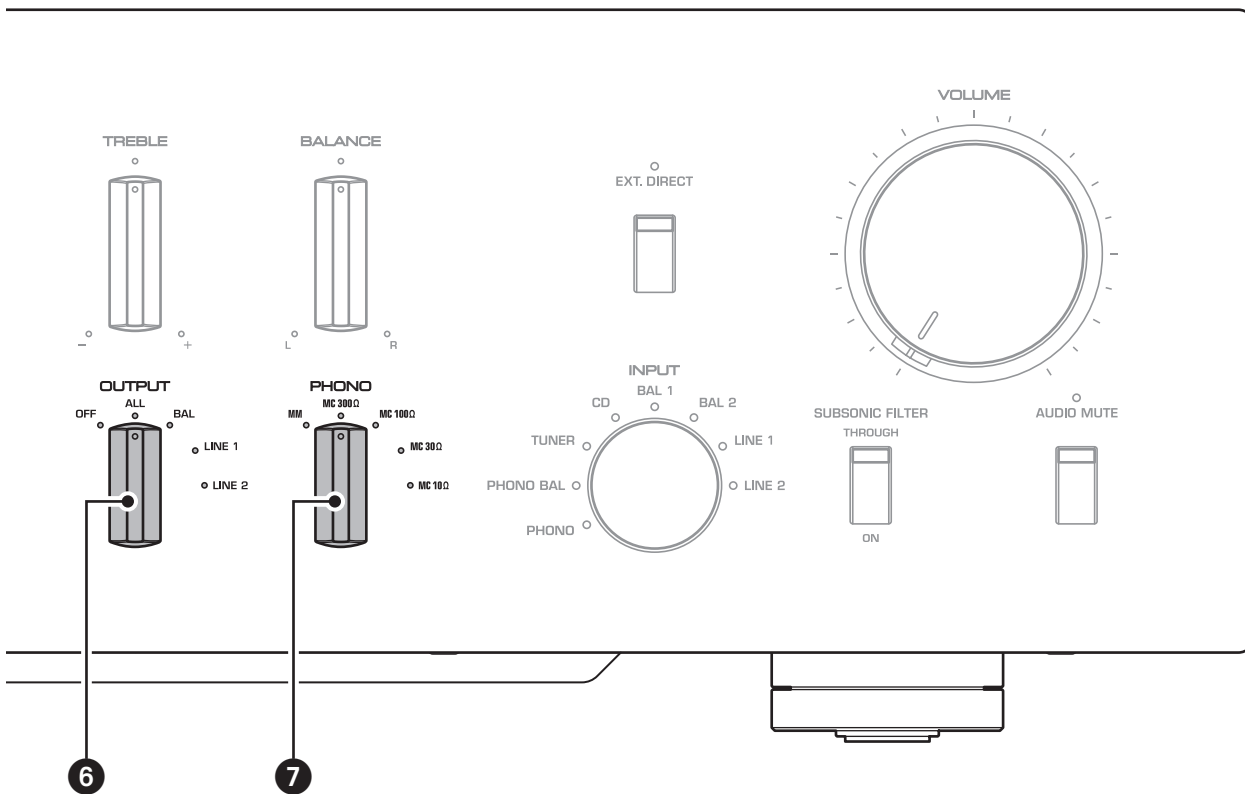
Se si prevede di non utilizzare l'unità per un periodo di tempo prolungato, assicurarsi di scollegare il cavo di alimentazione dalla presa di corrente. Anche se l'interruttore STANDBY/ON/OFF (alimentazione) è spento (l'indicatore dell'alimentazione è spento), un flusso minimo di corrente continua a giungere all'unità.

2 Sensore del telecomando

Riceve i segnali del telecomando. Per maggiori informazioni, consultare “Funzionamento del telecomando” (pagina 178).

3 Presa PHONES

Collegare qui le cuffie per ascoltare la musica in privato. Per maggiori informazioni, consultare “Collegamento delle cuffie” (pagina 192).



4 Selettore TRIM

Regola il guadagno dell'amplificatore delle cuffie. L'unità regolerà il livello del volume quando vengono inserite le cuffie per evitare improvvise variazioni di volume, modificando il bilanciamento tra l'uscita audio dalla presa PHONES e dai diffusori.

Opzioni: -6 dB, 0 dB, +6 dB, +12 dB

5 Selettore GAIN

Regola il guadagno del preamplificatore. L'unità si adatterà facilmente al guadagno dell'amplificatore di potenza e alla sensibilità dei diffusori, consentendo regolazioni fini del volume. Per maggiori informazioni, consultare "Regolazione del livello del volume" (pagina 190).

Opzioni: -12 dB, -6 dB, 0 dB

6 Selettore OUTPUT

Specifica nel modo seguente quali prese OUTPUT emetteranno i segnali:

Utilizzare questo selettore se sono collegati più amplificatori.

	Selettore OUTPUT				
	OFF	ALL	BAL	LINE1	LINE2
Prese BAL	—	Uscita	Uscita	—	—
Prese LINE 1	—	Uscita	—	Uscita	—
Prese LINE 2	—	Uscita	—	—	Uscita

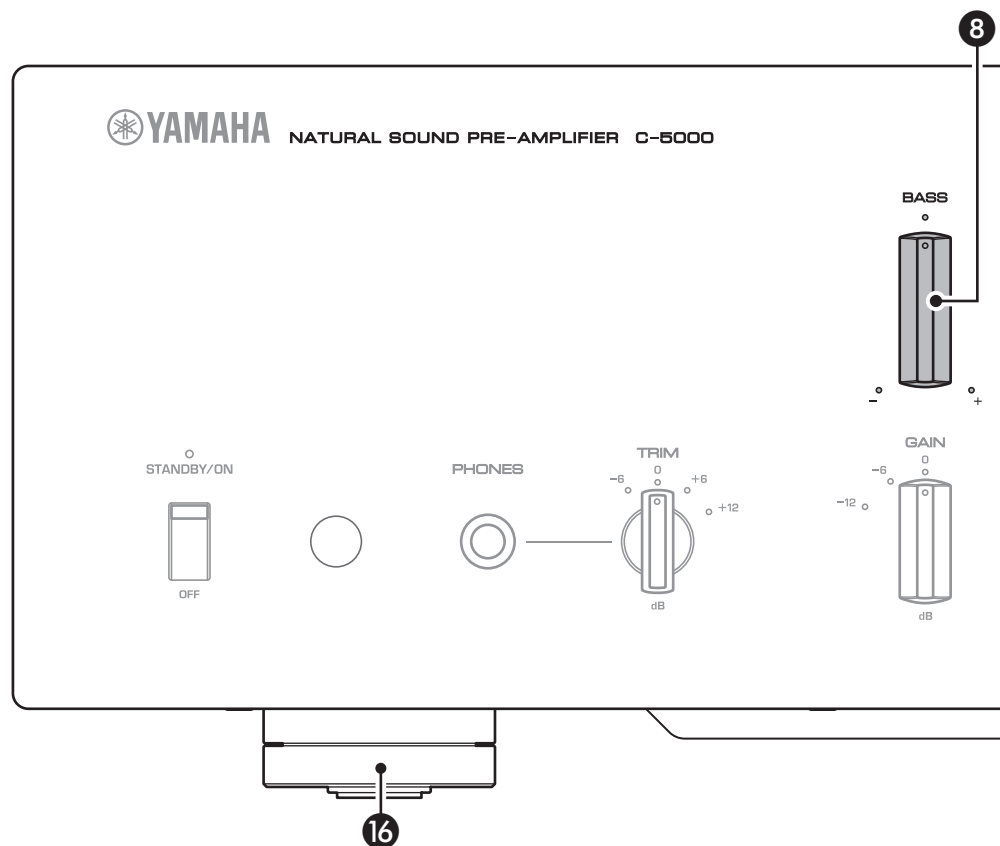
7 Selettore PHONO

Indica il tipo di testina installata sul giradischi collegato alle prese PHONO del pannello posteriore (MM, MC 300Ω, MC 100Ω, MC 30Ω, MC 10Ω). Per maggiori informazioni, consultare "Regolazione dell'impostazione di ingresso del giradischi" (pagina 189).

AVVISO

Se si sostituisce la testina, assicurarsi di spegnere sempre prima quest'unità.

Pannello anteriore



8 Controllo BASS

Regola la risposta delle basse frequenze nell'intervallo da -10 dB a +10 dB (in incrementi da 0,5 dB). La posizione centrale produce una risposta in frequenza piatta.

9 Controllo TREBLE

Regola la risposta delle alte frequenze nell'intervallo da -10 dB a +10 dB (in incrementi da 0,5 dB). La posizione centrale produce una risposta in frequenza piatta.

10 Controllo BALANCE

Regola il bilanciamento dell'uscita audio tra i diffusori sinistro e destro nell'intervallo da L (il canale destro è silenziato) a R (il canale sinistro è silenziato) per compensare squilibri sonori causati dalla posizione dei diffusori o dalle condizioni di ascolto della stanza.

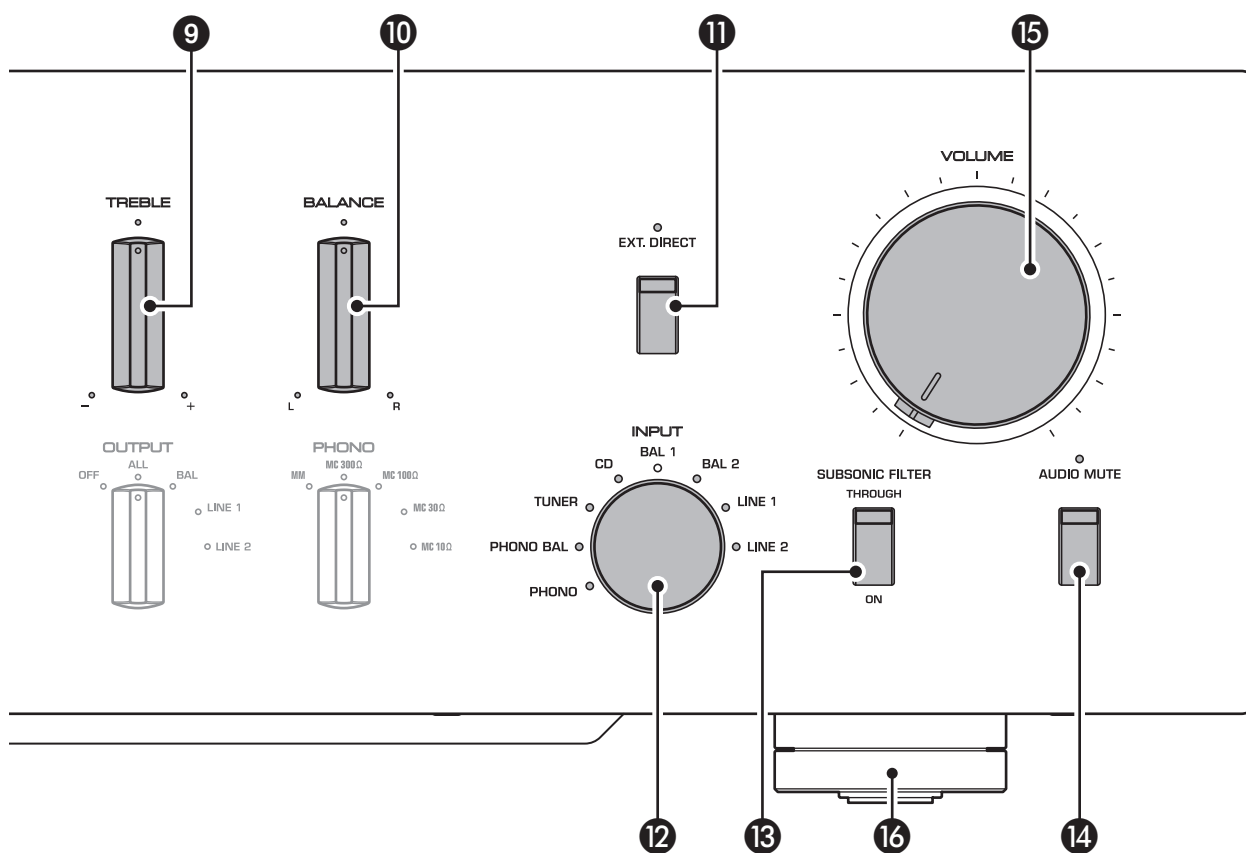
11 Interruttore/indicatore EXT. DIRECT

Premendo una volta l'interruttore EXT. DIRECT, l'indicatore EXT. DIRECT si accenderà e l'ingresso della sorgente audio delle prese EXT. IN verrà trasmesso alle prese di uscita collegate. Per maggiori informazioni, consultare "Collegamento di un altro preamplificatore" (pagina 183) e "Selezione di ingresso e uscita" (pagina 188).

Premendo nuovamente l'interruttore EXT. DIRECT oppure ruotando il selettore INPUT, il segnale specificato dal selettore INPUT diventerà la sorgente di ingresso e l'indicatore EXT. DIRECT si spegnerà.

Nota

Se è selezionato EXT. DIRECT, non verrà trasmesso alcun segnale alle prese LINE 2 OUT (registrazione) né alla presa PHONES.



12 Selettore/indicatore INPUT

Consente di selezionare la sorgente audio da riprodurre. Le opzioni sono: **PHONO, PHONO BAL, TUNER, CD, BAL 1, BAL 2, LINE 1 e LINE 2**. L'indicatore della sorgente di ingresso selezionata si accende.

Nota

Se è selezionato LINE 2, i segnali audio non verranno trasmessi alle prese LINE 2 OUT (registrazione).

13 Interruttore SUBSONIC FILTER

Alterna tra **ON** (abilitato) e **THROUGH** (disabilitato) per il filtro subsonico. Per maggiori informazioni, consultare "Regolazione dell'impostazione di ingresso del giradischi" (pagina 189).

Nota

Se il selettore INPUT è impostato su un'opzione diversa da PHONO o PHONO.BAL, il filtro sarà disabilitato.

14 Interruttore/indicatore AUDIO MUTE

Premere questo interruttore per ridurre di circa 20 dB il volume attuale. L'indicatore si accenderà. Premerlo nuovamente per riportare il volume audio al suo livello precedente. L'indicatore si spegnerà.

15 Controllo VOLUME

Regola il livello del volume. Questa impostazione non influisce sul livello di uscita delle prese LINE 2 OUT (registrazione).

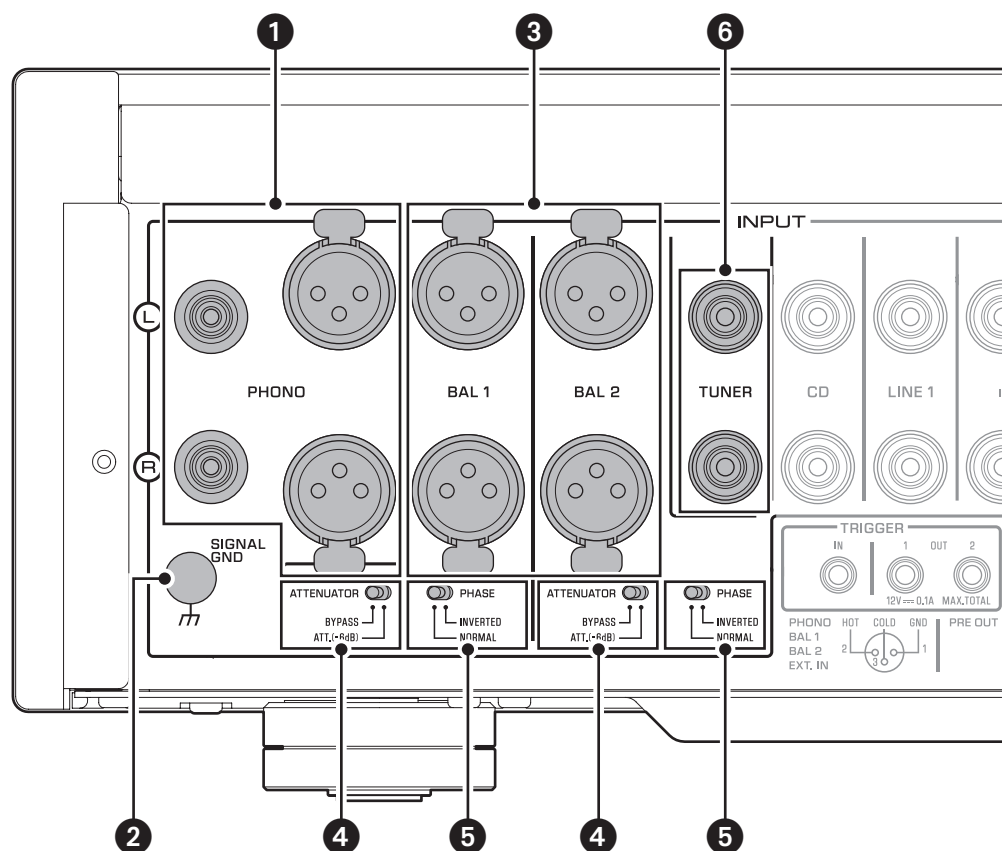
Nota

Il controllo VOLUME non influisce sul livello del volume se EXT. DIRECT è selezionato come sorgente di segnale in ingresso. Per regolare il volume, usare il controllo del volume del preamplificatore esterno o altro componente collegato alle prese EXT. IN.

16 Piedini

Se l'unità è instabile, regolare l'altezza dei piedini ruotandoli secondo necessità.

Pannello posteriore



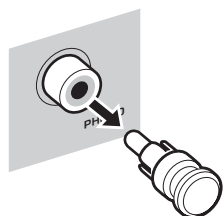
Nota

Per informazioni sulla procedura di collegamento, consultare “Collegamenti” (pagina 179).

1 Prese PHONO

Prese di tipo RCA e XLR. Se il selettore INPUT è impostato su PHONO, i segnali sulle prese PHONO di tipo RCA costituiranno la sorgente di ingresso. Se il selettore INPUT è impostato su PHONO BAL, i segnali sulle prese PHONO di tipo XLR costituiranno la sorgente di ingresso.

Il preamplificatore dispone di un connettore di corto installato su ciascuna presa di ingresso PHONO di tipo RAC. Se si intende collegare un componente esterno a queste prese, rimuovere i connettori di corto. Per maggiori informazioni, consultare “Collegamento di un giradischi” (pagina 182).



ATTENZIONE

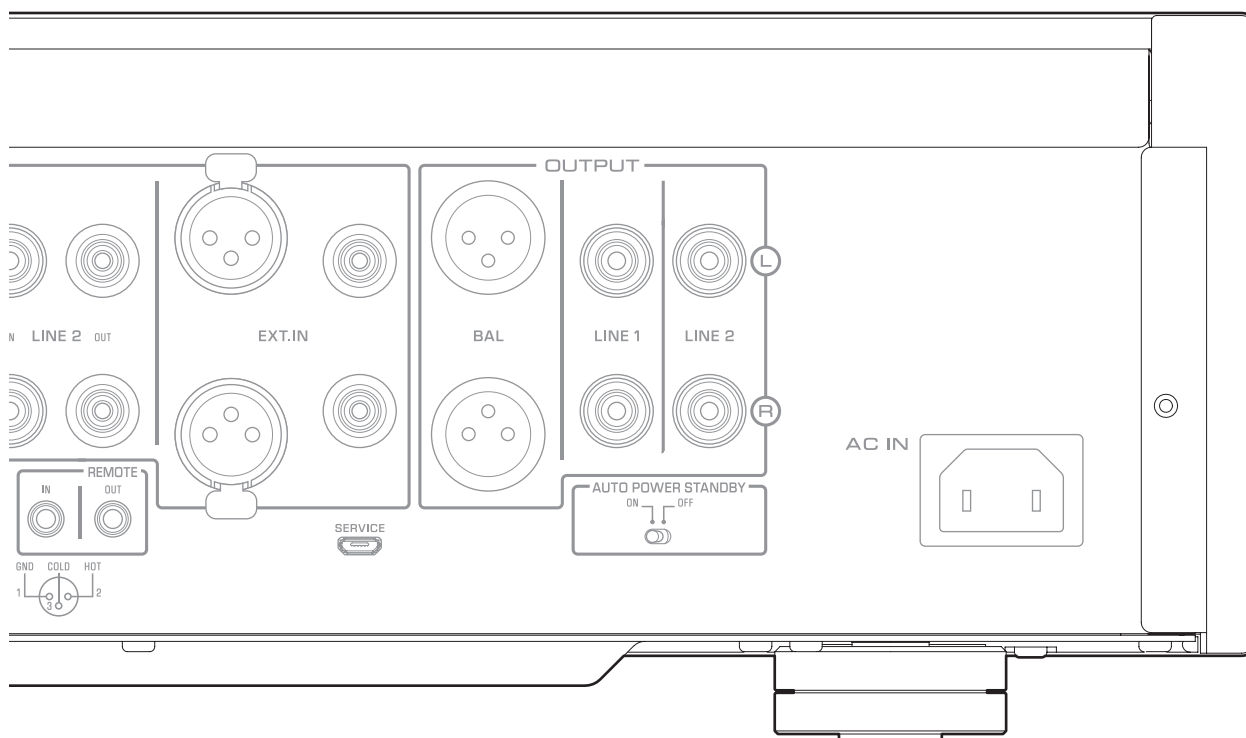
Maneggiare i connettori di corto con cura. Tenerli fuori dalla portata dei bambini per evitare che li ingoino.

AVVISO

- I connettore di corto vanno utilizzati SOLTANTO per gli INGRESSI inutilizzati. L'utilizzo con le USCITE potrebbe danneggiare gravemente i componenti.
- Se non si intende utilizzare le prese di ingresso PHONO di tipo RCA, inserire i connettori di corto nelle prese per evitare energia statica o rumore e conseguente degradazione del segnale audio.

2 Terminale SIGNAL GND (terra)

Se si collega il giradischi alle prese di ingresso PHONO di tipo RCA, collegare a questo terminale anche il giradischi per poter ridurre il rumore.



3 Prese BAL 1/BAL 2

Si tratta di due serie prese di ingresso bilanciate di tipo XLR. Se il selettore INPUT è impostato su BAL 1 o BAL 2, i segnali sulle relative prese XLR costituiranno la sorgente di ingresso.

Nota

Impostare correttamente i selettori ATTENUATOR e PHASE per i componenti di riproduzione collegati all'unità.

4 Selettore ATTENUATOR

Consente di impostare il livello di ingresso consentito per le prese di ingresso bilanciate di tipo XLR (prese BAL 1 e BAL 2). Per maggiori informazioni, consultare "Regolazione del livello del volume" (pagina 190).

BYPASS: Il livello di ingresso consentito non cambierà. Selezionare di solito questa opzione.

ATT. (-6 dB): Il guadagno in ingresso verrà ridotto di 6 dB per aumentare il livello di ingresso consentito. Selezionare questa opzione se l'uscita audio del componente collegato produce distorsione.

5 Selettore PHASE

Specifica la posizione del pin conduttore (HOT) per le prese di ingresso bilanciate di tipo XLR (prese BAL 1 e BAL 2).

NORMAL: il pin n. 2 è specificato come conduttore (HOT).

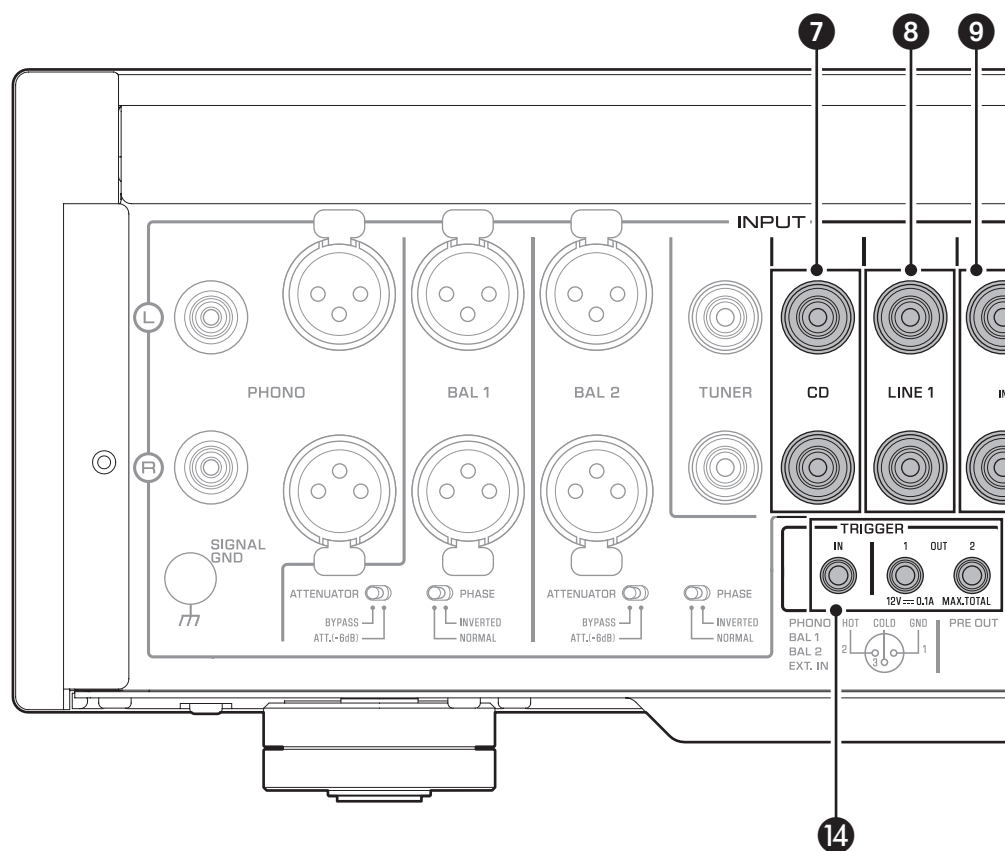
INV.: il pin n. 3 è specificato come conduttore (HOT).

Per maggiori informazioni, consultare "Collegamenti bilanciati e non bilanciati" (pagina 174).

6 Prese TUNER

Si tratta di prese di ingresso di tipo RCA. Se il selettore INPUT è impostato su TUNER, i segnali su queste prese costituiranno la sorgente di ingresso. Collegare qui il sintonizzatore.

Pannello posteriore



7 Prese CD

Si tratta di prese di ingresso di tipo RCA. Se il selettore INPUT è impostato su CD, i segnali su queste prese costituiranno la sorgente di ingresso. Collegare qui il lettore CD.

8 Prese LINE 1

Si tratta di prese di ingresso di tipo RCA. Se il selettore INPUT è impostato su LINE 1, i segnali su queste prese costituiranno la sorgente di ingresso.

9 Prese LINE 2 IN

Si tratta di prese di ingresso di tipo RCA. Se il selettore INPUT è impostato su LINE 2, i segnali su queste prese costituiranno la sorgente di ingresso.

10 Prese LINE 2 OUT (registrazione)

Si tratta di prese di ingresso di tipo RCA. per la registrazione Di solito, queste prese emettono i segnali della sorgente di ingresso selezionata mediante il pannello anteriore o il telecomando. Per informazioni sulla procedura di collegamento, consultare “Collegamento di un componente di registrazione” (pagina 182).

Nota

- Collegare le prese LINE 2 IN e LINE 2 OUT (registrazione) allo stesso componente.
- Se il selettore INPUT è impostato su LINE 2 o se l'interruttore EXT. DIRECT è premuto, le prese LINE 2 OUT (registrazione) non emetteranno segnali.

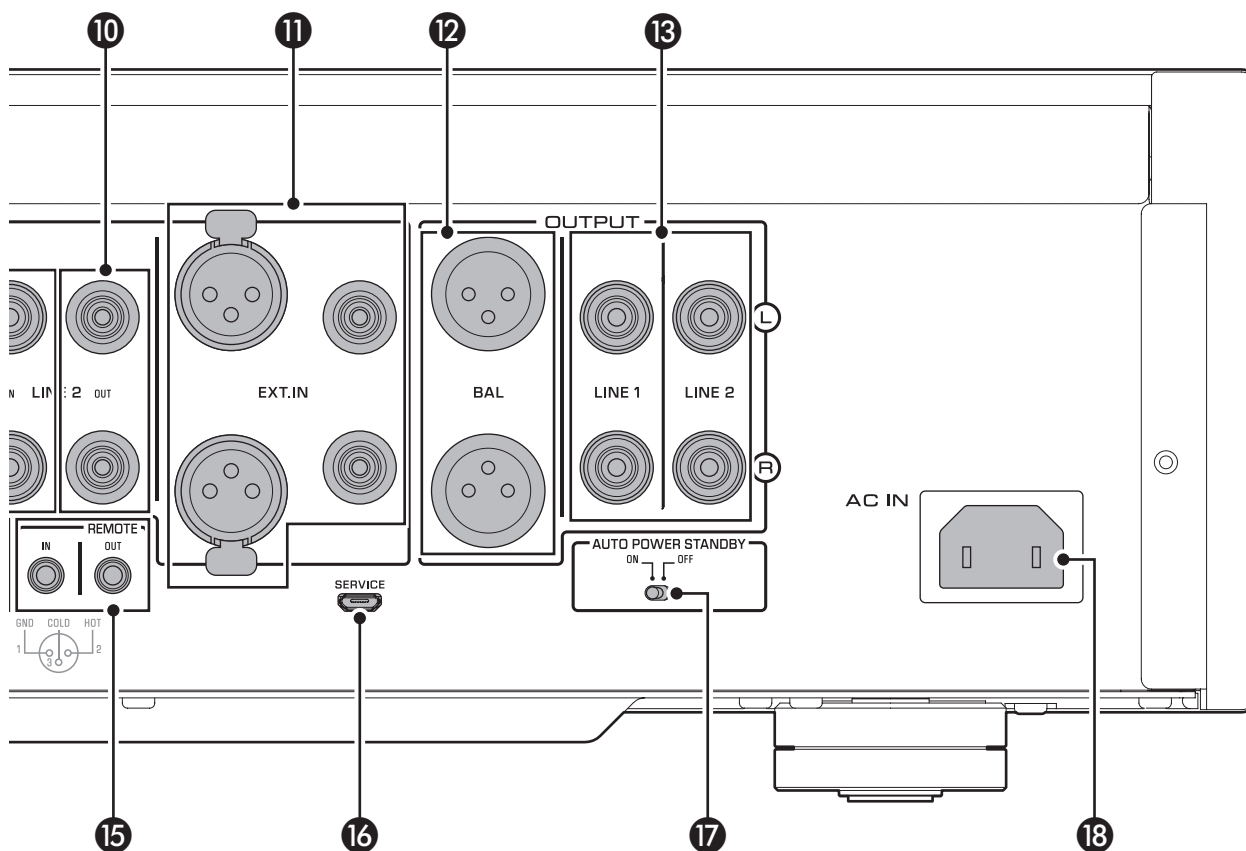
11 Prese EXT.IN

Queste prese sono costituite da prese di ingresso di tipo XLR e RCA. Se è premuto l'interruttore EXT. DIRECT, i segnali su queste prese costituiranno la sorgente di ingresso. Collegare qui il preamplificatore. Per maggiori informazioni, consultare “Collegamento di un altro preamplificatore” (pagina 183).



ATTENZIONE

Non è possibile regolare il volume dei segnali di ingresso delle prese EXT. IN. Assicurarsi quindi di collegare alle prese EXT. IN un componente dotato di controllo del volume.



Nota

Il livello del volume è fisso. Operando sul controllo VOLUME o sul selettore GAIN dell'unità, non si varia il volume del segnale proveniente dalle prese EXT. IN. Regolare il volume usando il controllo del volume del componente collegato alle prese EXT. IN.

12 Prese BAL

Si tratta di prese di uscita di tipo XLR. Collegare queste prese alle prese di ingresso bilanciate sull'amplificatore di potenza.

13 Prese LINE 1/LINE 2

Si tratta di prese di uscita di tipo RCA. Collegare queste prese alle prese di ingresso RCA sull'amplificatore di potenza.

14 Prese TRIGGER IN/TRIGGER OUT

Si tratta di mini prese mono. Collegare qui componenti esterni che supportino la funzione di attivazione. Per maggiori informazioni, consultare "Collegamenti di attivazione" (pagina 184).

15 Prese REMOTE IN/REMOTE OUT

Si tratta di mini prese mono. Collegare qui componenti esterni che supportino la funzione remota. Per maggiori informazioni, consultare "Collegamenti remoti" (pagina 185).

16 Presa SERVICE

Questa presa è utilizzata per l'assistenza al prodotto. Viene utilizzata di rado.

17 Interruttore AUTO POWER STANDBY

Specifica se l'unità deve o meno entrare automaticamente in modalità standby.

ON: L'unità entra automaticamente in modalità standby se viene accesa ma non utilizzata per otto ore.

OFF: L'unità non entra in modalità standby automaticamente.

18 Presa AC IN

Collegare qui il cavo di alimentazione fornito in dotazione. Per maggiori informazioni, consultare "Collegamento del cavo di alimentazione" (pagina 186).

Collegamenti bilanciati e non bilanciati

L'unità dispone di prese bilanciate di tipo XLR e di prese di ingresso non bilanciate di tipo RCA.

Nota

Non utilizzare contemporaneamente collegamenti bilanciati e non bilanciati tra due componenti. Questo doppio collegamento crea un loop di terra che produce energia statica e rumore.

Collegamento bilanciato

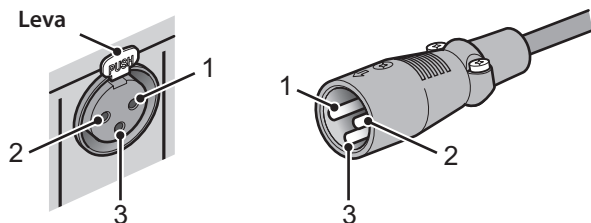
Un collegamento bilanciato è studiato per annullare e prevenire rumore indesiderato. Poiché cavi di lunghezza maggiore tendono a produrre maggior rumore, un collegamento bilanciato risulta utile quando sono necessari cavi lunghi. Solitamente, se i componenti dispongono di uscite bilanciate, è meglio utilizzare collegamenti bilanciati.

Prese per collegamenti bilanciati

Le prese di tipo XLR sull'unità vengono utilizzate per i collegamenti bilanciati. Le prese di ingresso e di uscita utilizzano design diversi. Le prese di ingresso sono femmina mentre quelle di uscita sono maschio. Per i collegamenti bilanciati, utilizzare cavi bilanciati con connettori XLR. Collegare un connettore maschio sul cavo alla presa femmina sull'unità, quindi collegare un connettore femmina al connettore maschio sull'unità.

Preso XLR (femmina)

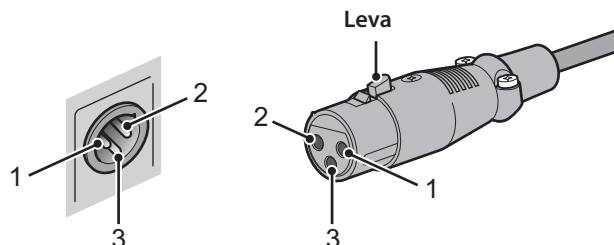
Connettore XLR (maschio)



Quando si collega un cavo a una presa di ingresso, assicurarsi di allineare i pin sul connettore con i fori sul jack, quindi inserire il connettore nel jack fino a sentire un clic. Per rimuovere il cavo, estrarre il connettore XLR maschio mentre si tiene premuta in giù la leva sulla presa di ingresso dell'unità.

Preso XLR (maschio)

Connettore XLR (femmina)



Quando si collega un cavo a una presa di uscita, assicurarsi di allineare i pin sul connettore con i fori sul jack, quindi inserire il connettore nel jack fino a sentire un clic. Per rimuovere il cavo, estrarre il connettore XLR femmina mentre si tiene premuta in giù la leva sullo stesso.

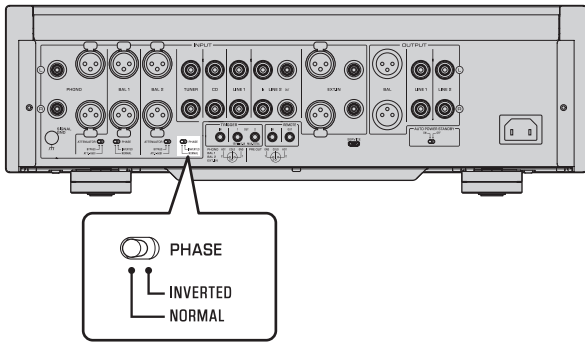
Polarità del collegamento bilanciato

Quando si effettua un collegamento bilanciato, impostare correttamente la polarità. Solitamente, il pin n. 2 è conduttore (HOT) ma a volte lo è il pin n. 3. Consultare il manuale di istruzioni del componente collegato per scoprire quale dei pin della presa di uscita è conduttore.

Per impostare la polarità per i pin delle prese di ingresso BAL 1 e BAL 2, utilizzare il selettore PHASE sul pannello posteriore.

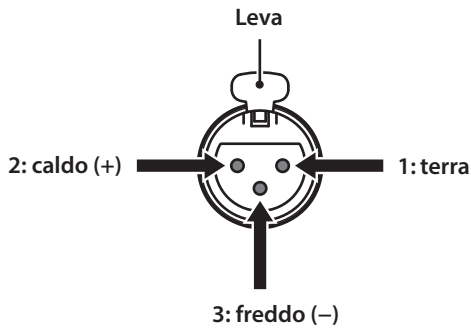
Nota

- Le prese PHONO ed EXT. IN non dispongono di un interruttore PHASE. La polarità dei pin di queste prese è standard e fissa.
- Il pin n. 2 è conduttore sui lettori Yamaha.



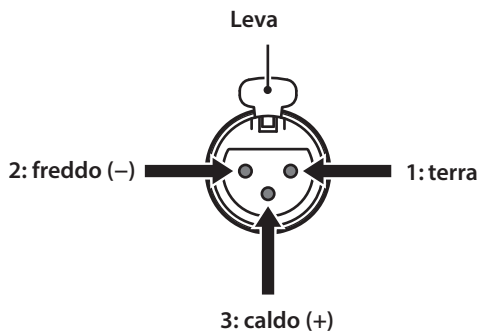
Se il selettore PHASE è impostato su NORMAL, il pin n. 2 diventa conduttore (HOT).

Presse di ingresso di tipo XLR

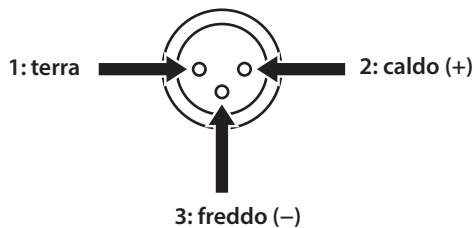


Se il selettore PHASE è impostato su INVERTED, il pin n. 3 diventa conduttore (HOT).

Presse di ingresso di tipo XLR

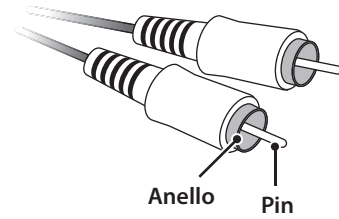


Presse di uscita di tipo XLR

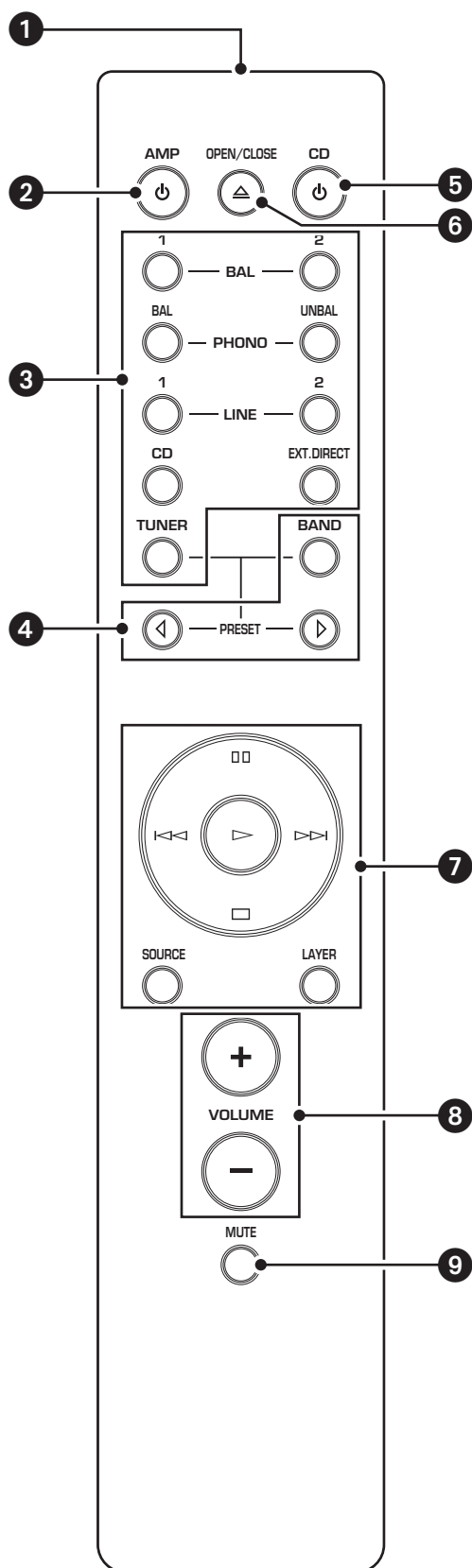


Collegamento non bilanciato

Se si sta collegando un componente audio dotato solamente di prese RCA standard, utilizzare le prese RCA sull'unità per i collegamenti non bilanciati. Per i collegamenti non bilanciati, utilizzare cavi non bilanciati con connettori RCA. Queste prese e questi connettori non si differenziano a livello di design maschio o femmina o per differenze di polarità.



Telecomando



1 Trasmittitore a raggi infrarossi

Trasmette i segnali di controllo a infrarossi all'unità.

2 Tasto AMP

Accende l'unità o la imposta in modalità standby. Per maggiori informazioni sulla modalità standby, consultare "Pannello anteriore" (pagina 166).

3 Tasti di selezione ingresso

Consente di selezionare la sorgente di ingresso da riprodurre.

BAL: Seleziona il componente collegato alle prese BAL 1 o BAL 2 di tipo XLR come sorgente di ingresso.

PHONO: Seleziona il giradischi collegato alle prese PHONO (di tipo XLR o RCA) come sorgente di ingresso. Premere il tasto BAL per selezionare la sorgente sulle prese di tipo XLR o il tasto UNBAL per selezionare la sorgente sulle prese RCA.

LINE: Seleziona il componente collegato alle prese LINE 1 o LINE 2 di tipo RCA come sorgente di ingresso.

EXT. DIRECT: Seleziona il componente collegato alle prese EXT. IN come sorgente di ingresso. Se EXT. DIRECT è selezionato come sorgente di ingresso, i segnali audio non verranno trasmessi alle prese LINE 2 OUT o PHONES.



CD: Seleziona il componente (di solito un lettore CD) collegato alle prese CD di tipo RCA come sorgente di ingresso.

TUNER: Seleziona il componente (di solito un sintonizzatore) collegato alle prese TUNER di tipo RCA come sorgente di ingresso.

Nota

I segnali audio della sorgente di ingresso selezionata verranno trasmessi alle prese LINE 2 OUT (registrazione). Se è selezionato LINE 2 come sorgente di ingresso, i segnali audio non verranno trasmessi alle prese LINE 2 OUT (registrazione).

4 Tasti di controllo del sintonizzatore

Consente di controllare le funzioni del sintonizzatore Yamaha collegato. Utilizzare il tasto BAND per commutare la banda di ricezione e i tasti PRESET   per selezionare una stazione preselezionata. Per maggiori informazioni, consultare il manuale di istruzioni del sintonizzatore.

Nota

Alcuni modelli di sintonizzatore Yamaha potrebbero non supportare queste funzioni per i tasti.



5 Tasto CD

Accende il lettore CD Yamaha collegato o lo imposta in modalità standby.

6 Tasto OPEN/CLOSE

Apri o chiude il piatto portadisco del lettore CD Yamaha collegato. Per maggiori informazioni, consultare il manuale di istruzioni del lettore CD.

Nota

Alcuni modelli di lettore CD Yamaha potrebbero non supportare le funzioni dei tasti  CD e/o  OPEN/CLOSE.



7 Tasti di controllo del lettore CD

Consente di controllare le funzioni del lettore CD Yamaha collegato. Per maggiori informazioni, consultare il manuale di istruzioni del lettore CD.

(Riproduci)

Inizia la riproduzione.

(Pausa)

Porta la riproduzione in pausa. Premere  o  per far riprendere la riproduzione.

(Arresto)

Fa cessare la riproduzione.

(Salta)

Permette di saltare al brano successivo o di tornare all'inizio del brano attuale.

Tasto SOURCE

Seleziona la sorgente da riprodurre sul lettore CD Yamaha. La sorgente da riprodurre cambia a ogni pressione di questo tasto.

Tasto LATER

Commuta lo strato di riproduzione di un Super Audio CD ibrido da "Super audio CD" a "CD" e viceversa

Nota

Alcuni modelli di lettore CD Yamaha potrebbero non supportare queste funzioni per i tasti.

8 Tasti VOLUME +/-

Regola il livello del volume.

Nota

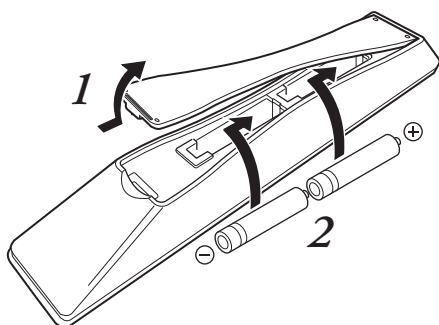
I tasti VOLUME +/- sul telecomando non hanno effetto se EXT. DIRECT è selezionato come sorgente di ingresso. Regolare il volume usando il controllo del volume dell'amplificatore esterno collegato alle prese EXT. IN.

9 Tasto MUTE

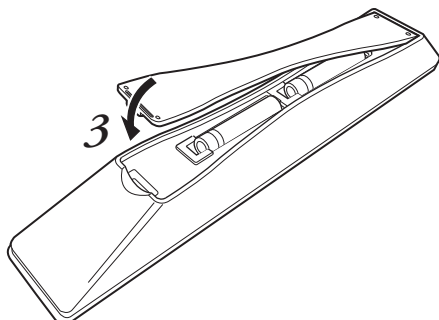
Riduce il volume attuale di circa 20 dB. Premerlo nuovamente per riportare il volume audio al suo livello precedente. Anche premendo il tasto VOLUME + o - sul telecomando si ripristina il volume.

Installazione delle batterie nel telecomando

- 1 Rimuovere il coperchio del vano batterie.
- 2 Inserire due batterie (AAA, R03, UM-4) tenendo presente le indicazioni di polarità (+ e -) all'interno del vano batterie.



- 3 Riapplicare il coperchio del vano batterie.



AVVERTENZA

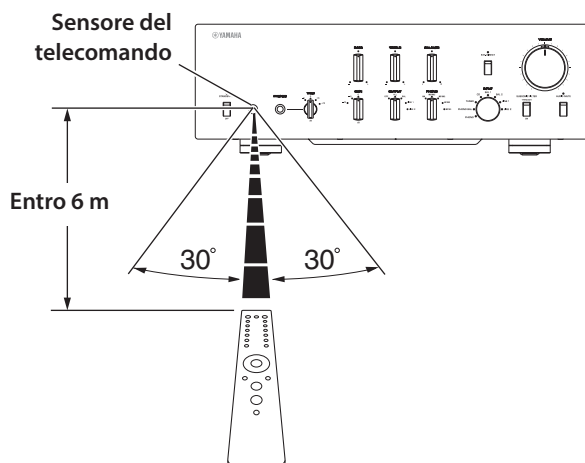
- Non gettare le batterie nel fuoco o esporle ad alte temperature come per esempio alla luce diretta del sole o fiamme libere. In caso contrario, la batteria potrebbe esplodere e causare incendi o lesioni personali.
- Non tentare di ricaricare batterie non ricaricabili. In caso contrario, le batterie potrebbero esplodere o perdere liquidi causando cecità, ustioni chimiche o lesioni personali.
- In caso la batteria perda liquido, non toccarlo per evitare cecità o ustioni chimiche. Se gli occhi, la bocca o la pelle dovessero entrare in contatto con il liquido, lavare immediatamente la parte interessata con acqua e rivolgersi a un medico.

ATTENZIONE

- Non utilizzare contemporaneamente batterie nuove e vecchie. In caso contrario, potrebbero verificarsi incendi, ustioni o irritazioni dovute alla perdita di liquidi.
- Non utilizzare contemporaneamente batterie di tipo diverso. Per esempio, se si utilizzano insieme una batteria alcalina e una al manganese, oppure due batterie di produttori diversi o con numeri di prodotto differenti, potrebbero verificarsi incendi, ustioni o irritazioni cutanee dovute all'eventuale perdita di liquidi.
- Tenere le batterie lontano dalla portata dei bambini poiché potrebbero accidentalmente ingoiarle. Inoltre, la perdita di liquido dalla batteria potrebbe causare irritazioni cutanee.
- Inserire le due batterie rispettando le indicazioni di polarità (+ e -). In caso contrario, potrebbero verificarsi incendi, ustioni o irritazioni cutanee dovute alla perdita di liquidi.
- Se si prevede di non utilizzare il telecomando per un lungo periodo di tempo oppure se le batterie sono completamente esaurite, rimuoverle dal telecomando. Altrimenti, tutte le batterie prima o poi si esauriranno e potrebbero perdere liquidi, causando irritazioni cutanee o danni al telecomando.

Funzionamento del telecomando

Per utilizzare il telecomando, puntarlo direttamente sul relativo sensore sul pannello anteriore dell'unità.



Collegamenti

Questa sezione spiega come collegare l'unità a una sorgente audio come per esempio un sintonizzatore o un lettore CD e a un amplificatore di potenza.



ATTENZIONE

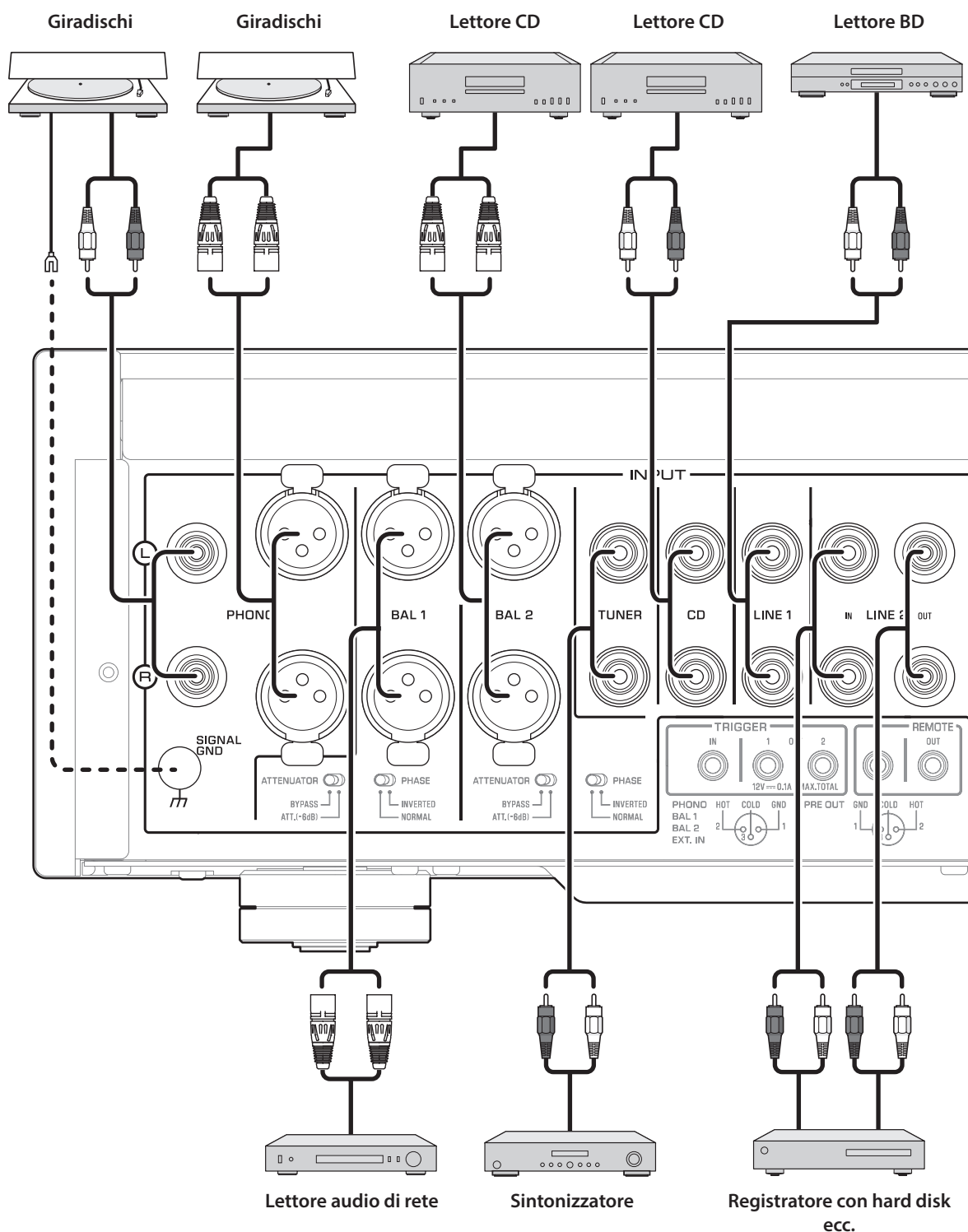
Spegnere tutti i componenti prima di effettuare qualsiasi collegamento.

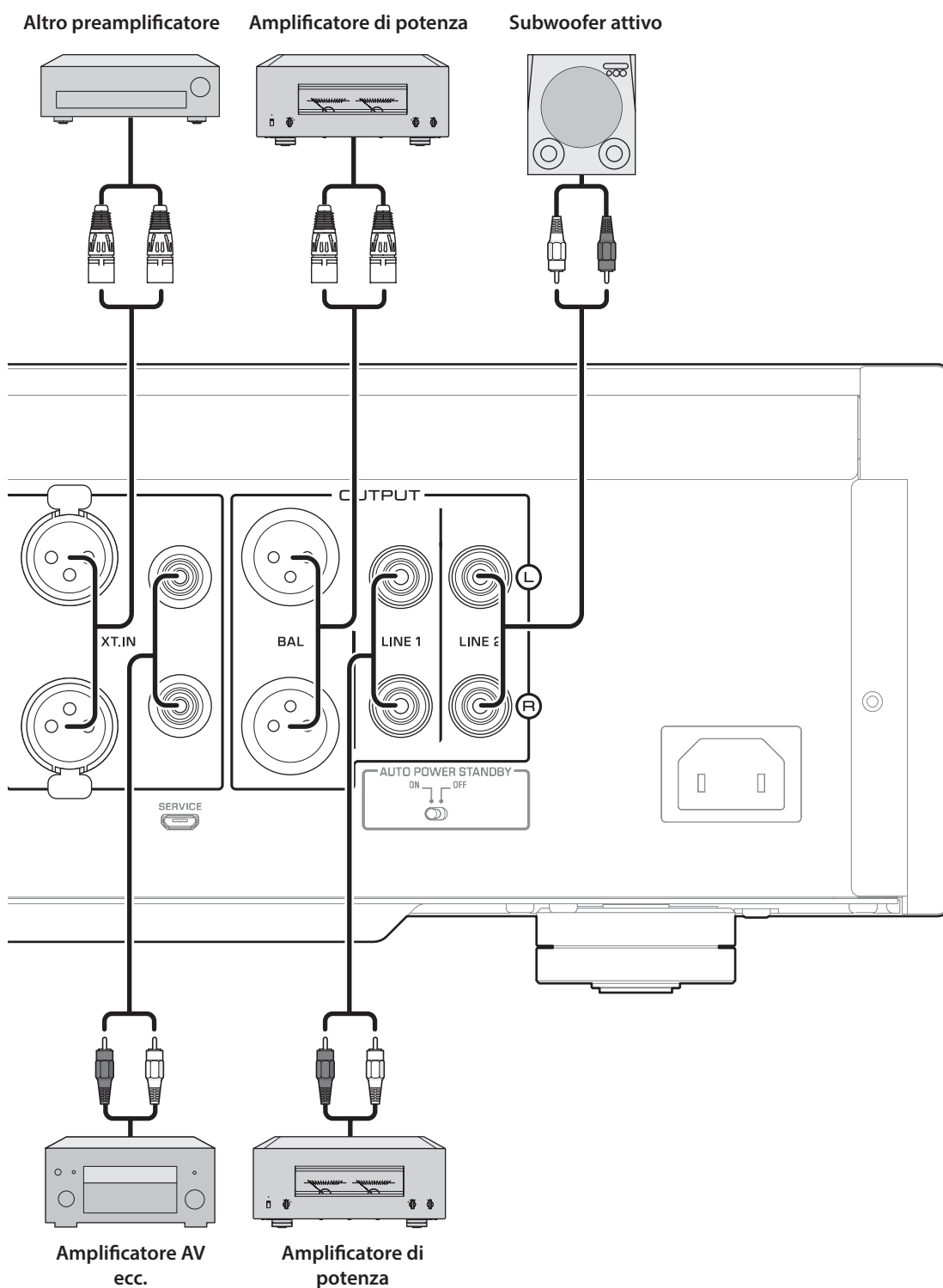
AVVISO

- Non utilizzare contemporaneamente collegamenti bilanciati e non bilanciati tra due componenti. Questo doppio collegamento crea un loop di terra che produce energia statica e rumore.
- Prima di collegare componenti esterni, leggere e seguire i relativi manuali di istruzioni. In caso contrario, potrebbero verificarsi malfunzionamenti dell'unità o dei componenti esterni.

C-5000

Collegamento di un componente esterno





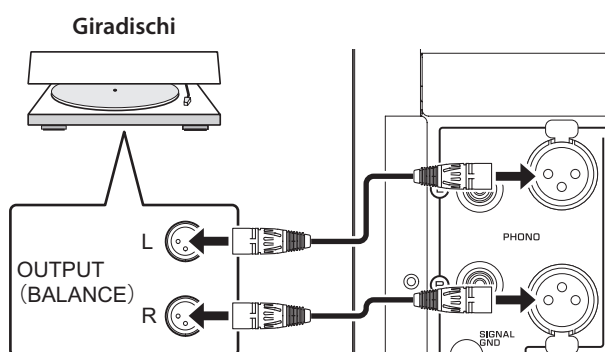
AVVISO

Non utilizzare contemporaneamente collegamenti bilanciati e non bilanciati tra due componenti. Questo doppio collegamento crea un loop di terra che produce energia statica e rumore.

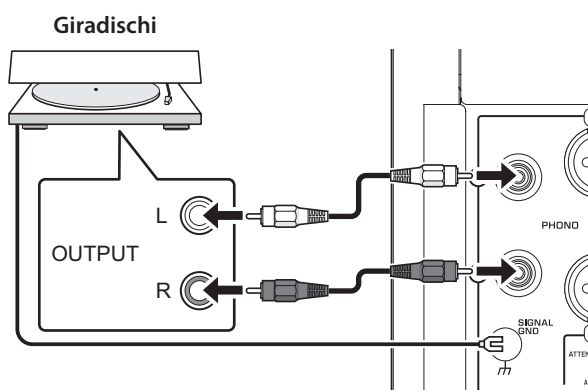
Collegamento di un giradischi

Collegare il giradischi al terminale PHONO di quest'unità. L'unità dispone di prese bilanciate di tipo XLR e di prese di ingresso non bilanciate di tipo RCA.

Collegamento bilanciato



Collegamento non bilanciato



Nota

Se si collega un giradischi alle prese RCA dell'unità, ascoltare e confrontare il suono con il terminale SIGNAL GND (terra) collegato e scollegato, quindi selezionare l'opzione meno rumorosa.

AVVISO

Non utilizzare contemporaneamente collegamenti bilanciati e non bilanciati tra l'unità e il giradischi. Questo doppio collegamento crea un loop di terra che produce energia statica e rumore.

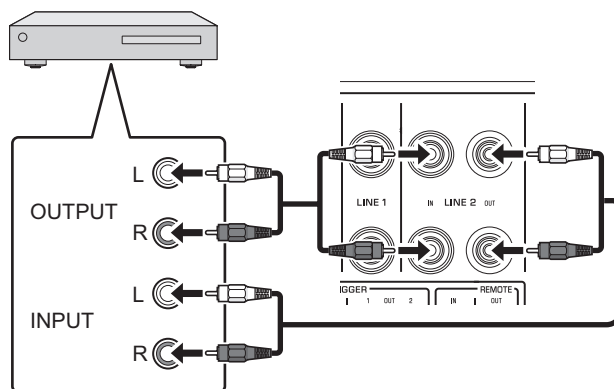
Collegamento di un componente di registrazione

È possibile collegare all'unità un dispositivo di registrazione come un registratore con hard disk e registrare l'ingresso audio proveniente dall'unità. Collegare il componente di registrazione a entrambe le prese LINE 2 IN e LINE 2 OUT (registrazione).

Nota

- Assicurarsi di collegare le prese LINE 2 IN e LINE 2 OUT (registrazione) allo stesso componente.
- Il segnale proveniente dalle prese LINE 2 OUT (registrazione) è praticamente identico al segnale proveniente dalle prese di uscita specificate dal selettore OUTPUT. Se il selettore INPUT è impostato su LINE 2, i segnali audio non verranno trasmessi alle prese LINE 2 OUT (registrazione).

Registratore con hard disk ecc.



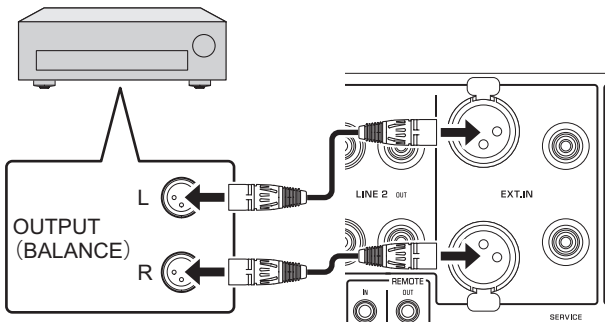
Collegamento di un altro preamplificatore

Se si collega l'uscita di un altro preamplificatore alle prese EXT. IN sull'unità e si preme l'interruttore EXT. DIRECT, il segnale sorgente attraverserà l'unità e verrà trasmesso all'amplificatore di potenza collegato. L'ingresso del segnale sorgente sulle prese bilanciate EXT. IN verrà trasmesso alle prese bilanciate BAL. L'ingresso del segnale sorgente sulle prese non bilanciate EXT. IN verrà trasmesso alle prese LINE 1 e LINE 2.

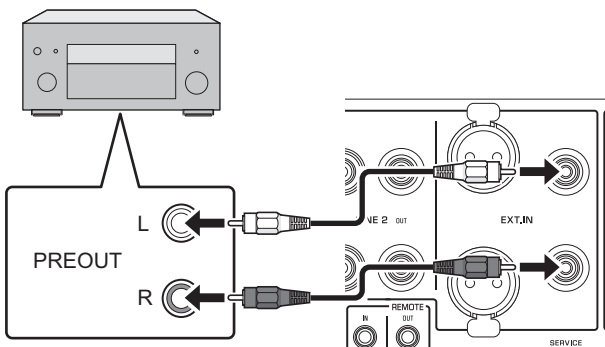
Nota

Se l'interruttore EXT. DIRECT è acceso, non si sentirà alcun suono provenire dalle cuffie collegate alla presa PHONES.

Altro preamplificatore



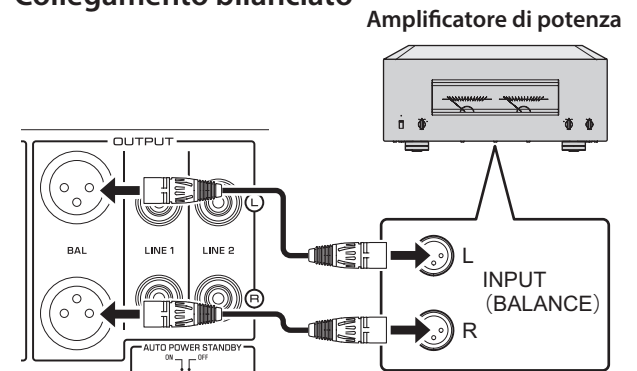
Amplificatore AV ecc.



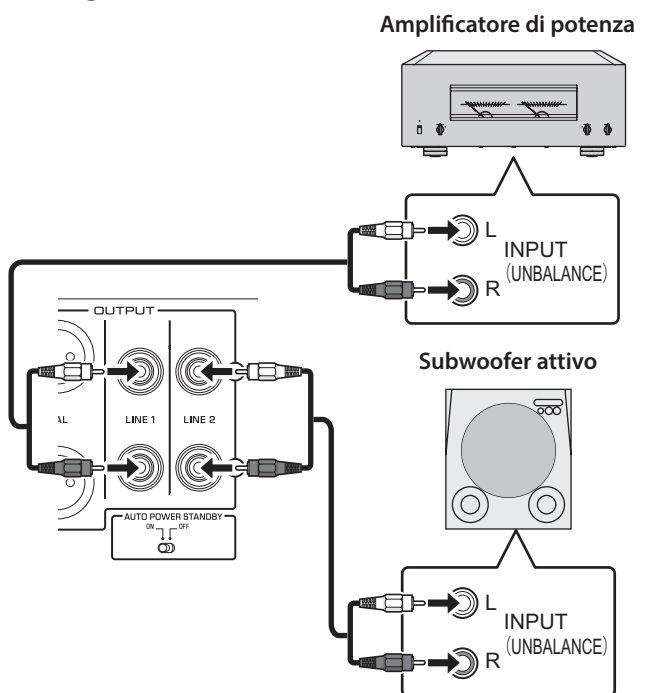
Collegamento di un amplificatore di potenza e di un subwoofer attivo

È possibile collegare un amplificatore di potenza e un subwoofer attivo alle prese di uscita BAL, LINE 1 o LINE 2 dell'unità.

Collegamento bilanciato



Collegamento non bilanciato



AVVISO

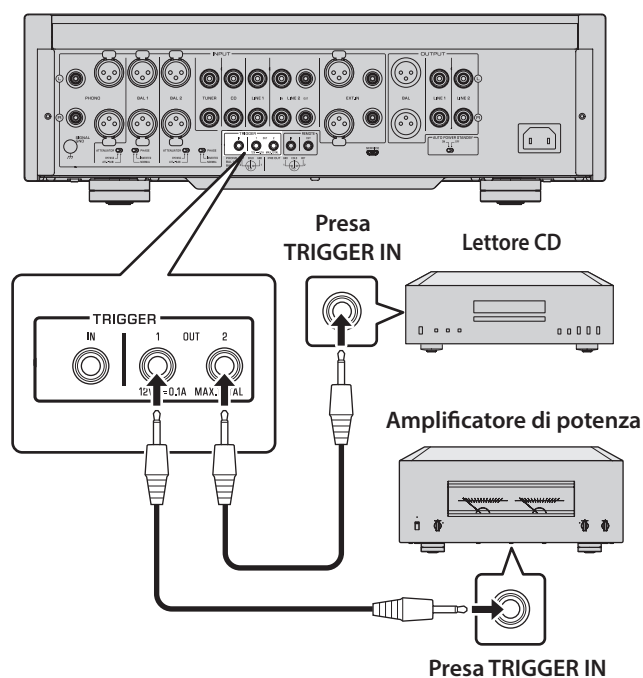
Non utilizzare contemporaneamente collegamenti bilanciati e non bilanciati tra due componenti. Questo doppio collegamento crea un loop di terra che produce energia statica e rumore.

Collegamenti di attivazione

Per controllare l'accensione e lo spegnimento di un componente collegato, come per esempio un amplificatore di potenza sincronizzandoli con l'unità

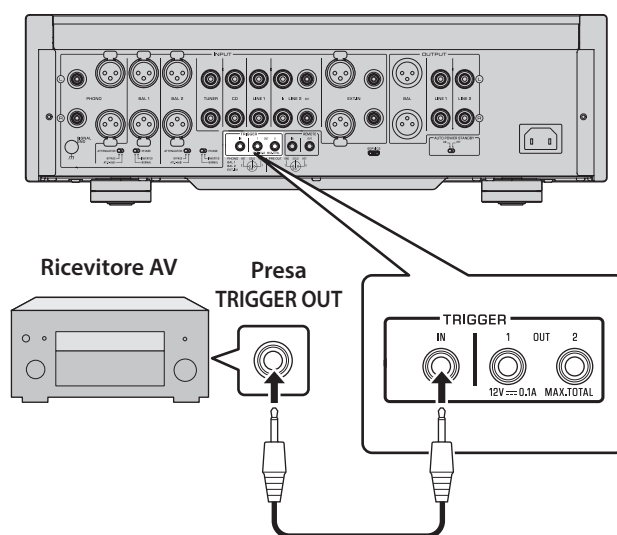
È possibile controllare l'accensione e lo spegnimento di un componente collegato, come per esempio un lettore CD o un amplificatore di potenza Yamaha sincronizzandoli con l'unità.

Utilizzare un cavo di sistema per collegare la presa TRIGGER OUT dell'unità alla presa TRIGGER IN del componente collegato.



Per controllare l'accensione e lo spegnimento dell'unità sincronizzandoli con un componente collegato come per esempio un ricevitore AV

È possibile controllare l'accensione e lo spegnimento dell'unità sincronizzandoli con un componente collegato come per esempio un ricevitore AV Yamaha. Utilizzare un cavo di sistema opzionale per collegare la presa TRIGGER IN dell'unità alla presa TRIGGER OUT del componente collegato. Quando l'unità è in modalità standby, l'accensione di un componente collegato comporta anche l'accensione dell'unità e il segnale delle prese EXT. IN verrà selezionato come sorgente di ingresso. Quando l'alimentazione del componente collegato è spenta, l'unità entra in modalità standby.



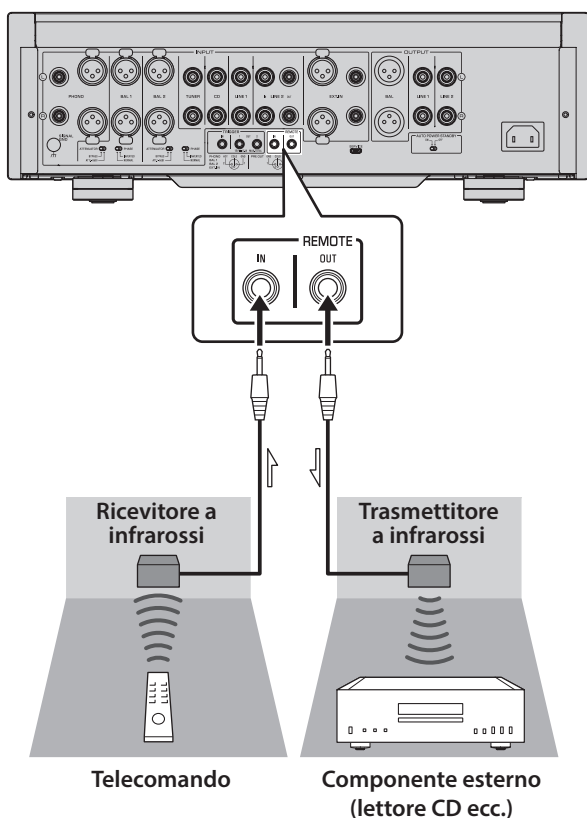
Nota

- Se l'interruttore di alimentazione dell'unità è in posizione OFF, non verrà attivata l'alimentazione dal componente collegato.
- A meno che la sorgente di ingresso sia selezionata mediante l'interruttore EXT. DIRECT, spegnere il componente collegato non comporta spegnere l'unità.

Collegamenti remoti

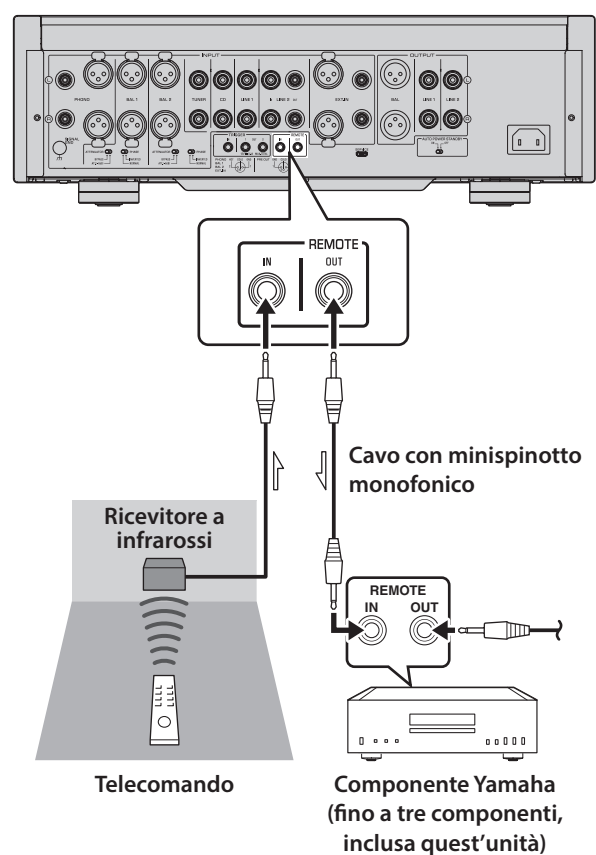
Come comandare l'unità da un'altra stanza

Se si collega un trasmettitore e ricevitore a infrarossi alle prese REMOTE IN/OUT dell'unità, è possibile comandare quest'unità e/o il componente esterno utilizzando il telecomando in dotazione in un'altra stanza.



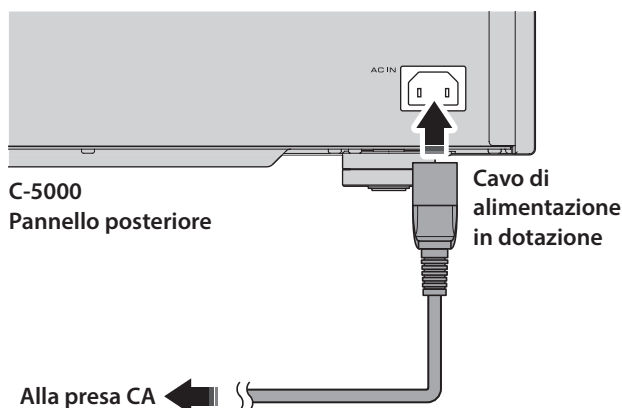
Connessione remota tra componenti Yamaha

Se si dispone di un altro componente Yamaha che supporta la connessione remota come quest'unità, non è necessario un trasmettitore a infrarossi. È possibile trasmettere segnali remoti collegando un ricevitore a infrarossi alla presa REMOTE IN dell'unità e la presa REMOTE OUT dell'unità utilizzando cavi con minispinnotti monofonici. È possibile configurare fino a tre componenti Yamaha (inclusa l'unità) per il collegamento remoto.



Collegamento del cavo di alimentazione

Terminati tutti i collegamenti, assicurarsi che l'interruttore STANDBY/ON/OFF (alimentazione) sia in posizione OFF, quindi collegare il cavo di alimentazione nel connettore AC IN dell'unità e a una presa di corrente.



AVVERTENZA

- Se si nota una qualsiasi delle seguenti condizioni anomale, spegnere immediatamente l'unità e scollegare la spina dalla presa di corrente.
 - Il cavo di alimentazione è danneggiato.
 - L'unità emette odori, rumori strani o fumo.
 - All'interno dell'unità sono penetrati liquidi od oggetti.
 - Il suono viene interrotto all'improvviso durante il funzionamento.
 - L'unità presenta crepe o danni.

In caso contrario, l'utilizzo prolungato dell'unità potrebbe causare scosse elettriche, incendi o malfunzionamenti. Contattare il rivenditore Yamaha o il centro d'assistenza più vicino per far esaminare o riparare l'unità.

- Non toccare il cavo o la spina di alimentazione durante i temporali. Altrimenti, potrebbero verificarsi scosse elettriche.
- Assicurarsi di utilizzare una presa elettrica che rispetti la tensione indicata sull'unità. In caso contrario, potrebbero verificarsi scosse elettriche o malfunzionamenti.
- Utilizzare solo il cavo di alimentazione fornito in dotazione. Non utilizzare il cavo fornito in dotazione per altri dispositivi. Altrimenti, potrebbero verificarsi incendi, ustioni o malfunzionamenti.
- Collegare l'unità a una presa CA chiaramente visibile e facilmente accessibile in modo da poter scollegare facilmente e rapidamente l'unità dalla presa in caso d'emergenza. Anche se l'interruttore di alimentazione è spento, un flusso minimo di corrente continua a giungere all'unità a meno di scollegare l'unità dalla presa CA.
- Se si sta avvicinando un temporale, spegnere immediatamente l'unità e scollegare la spina dalla presa di corrente. Altrimenti, potrebbero verificarsi incendi o malfunzionamenti.
- Se si prevede di non utilizzare l'unità per un periodo di tempo prolungato, scollegare il cavo di alimentazione dalla presa di corrente. Altrimenti, potrebbero verificarsi incendi o malfunzionamenti.



ATTENZIONE

- Non utilizzare una presa di corrente che non assicura che la spina rimanga saldamente inserita. Altrimenti, potrebbero verificarsi incendi, scosse elettriche o ustioni.
- Quando si scollega il cavo di alimentazione dalla presa di corrente, afferrare sempre la spina e non tirare il cavo. Altrimenti, il cavo potrebbe danneggiarsi e provocare scosse o incendi.
- Inserire saldamente la spina di alimentazione nella presa CA. Se la spina non è inserita a fondo, l'utilizzo dell'unità potrebbe causare scosse elettriche oppure si potrebbe accumulare polvere sulla spina e causare incendi o ustioni.

AVVISO

Se si prevede di non utilizzare l'unità per un periodo di tempo prolungato, scollegare il cavo di alimentazione dalla presa di corrente. Anche se l'interruttore STANDBY/ON/OFF è spento (l'indicatore dell'alimentazione è spento), un flusso minimo di corrente continua a giungere all'unità.

Operazioni

Questa sezione spiega le procedure base di funzionamento.
Seguendo queste procedure è possibile sfruttare al meglio le funzioni dell'unità.
Queste procedure sono a solo scopo esemplificativo.

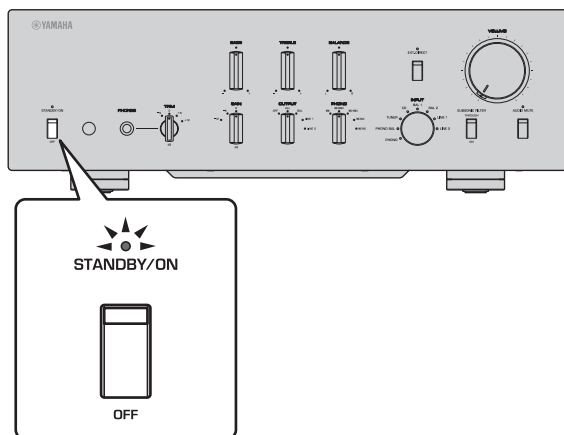
Accensione



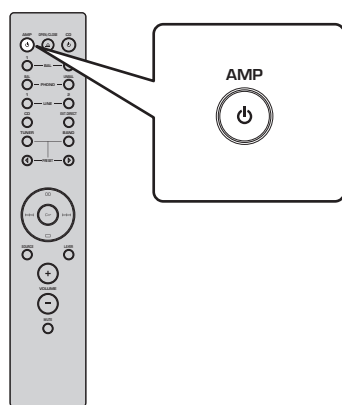
ATTENZIONE

Assicurarsi di abbassare al minimo il volume prima di accendere l'alimentazione.

Accendere l'alimentazione impostando l'interruttore STANDBY/ON/OFF (alimentazione) sul pannello anteriore posizione STANDBY/ON.



Se l'unità è in modalità standby, è possibile anche accenderla utilizzando il telecomando.

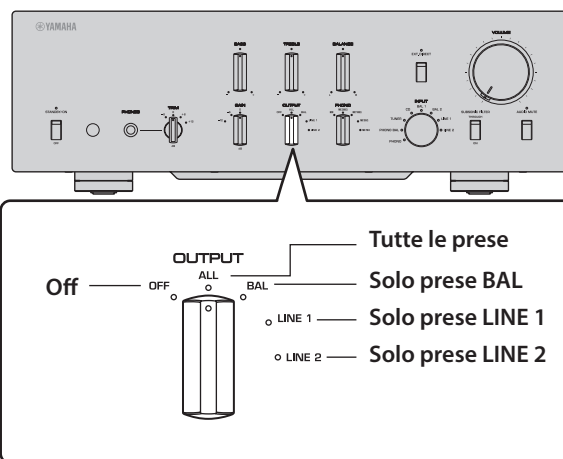


AVVISO

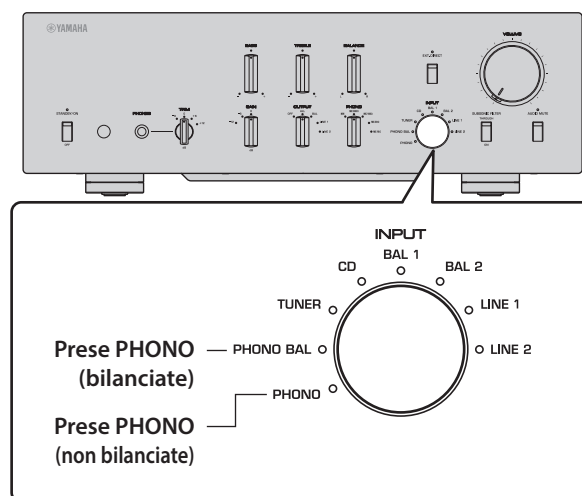
Accendere tutti i componenti nel seguente ordine: amplificatore di potenza, preamplificatore (questa unità), altri componenti (p.es. lettore CD e sintonizzatore).
Spegnerli seguendo l'ordine inverso.

Selezione di ingresso e uscita

Selezionare una coppia di prese di uscita tramite il selettore OUTPUT.

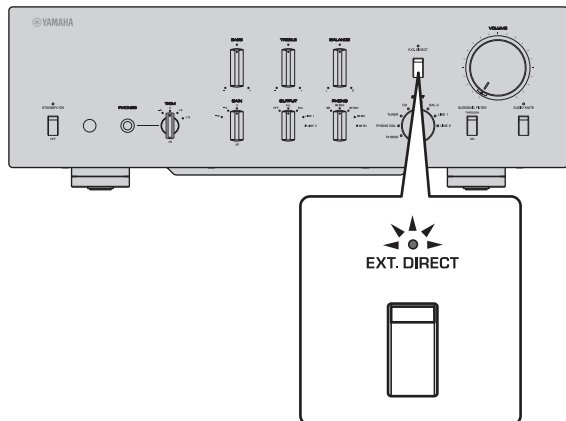


Selezionare la sorgente audio tramite il selettore INPUT.



I relativi indicatori si accenderanno.

Selezione dell'ingresso dalle prese EXT.IN



Premere l'interruttore EXT. DIRECT. L'indicatore EXT. DIRECT si accenderà. L'impostazione del selettore INPUT verrà disabilitata e l'ingresso della sorgente audio proveniente dalle prese EXT. IN sarà trasmessa a un paio di prese di uscita. L'ingresso del segnale sorgente sulle prese di ingresso bilanciate verrà trasmesso alle prese di uscita bilanciate BAL. L'ingresso del segnale sorgente sulle prese di ingresso LINE verrà trasmesso alle prese di uscita LINE 1 e LINE 2.

Premendo nuovamente l'interruttore EXT. DIRECT oppure ruotando il selettore INPUT, il segnale specificato dal selettore INPUT diventerà la sorgente di ingresso e l'indicatore EXT. DIRECT si spegnerà. L'indicatore si spegnerà.

Nota

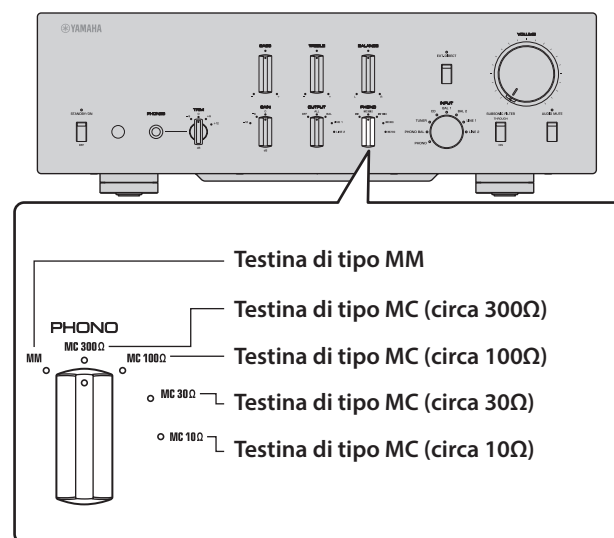
Se è selezionato EXT. DIRECT, non verrà trasmesso alcun segnale alle prese LINE 2 OUT (registrazione) né alla presa PHONES.

Regolazione dell'impostazione di ingresso del giradischi

Selettore PHONO

Impostare il selettore PHONO in base alla testina del giradischi.

Opzioni per la testina del giradischi



ATTENZIONE

In caso di testina di tipo MM, assicurarsi di impostare il selettore PHONO su MM.

Nota

I valori di impedenza indicati sulle etichette sul selettore PHONO sono approssimativi. Ascoltare e verificare il suono con diverse impostazioni di impedenza in modo da selezionare quella più opportuna.

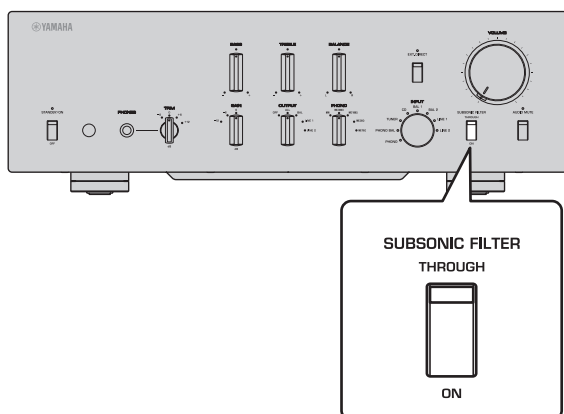
AVVISO

Se si sostituisce la testina, assicurarsi di spegnere sempre prima quest'unità.

Filtro subsonico

Attivare l'interruttore SUBSONIC FILTER per applicare il filtro subsonico secondo necessità.

Un braccio risonante del giradischi o un disco distorto potrebbero causare un rumore di fondo a bassa frequenza (rumore subsonico) che potrebbe aumentare il carico sui diffusori e danneggiarli. Il filtro subsonico taglia questo rumore per proteggere i diffusori.

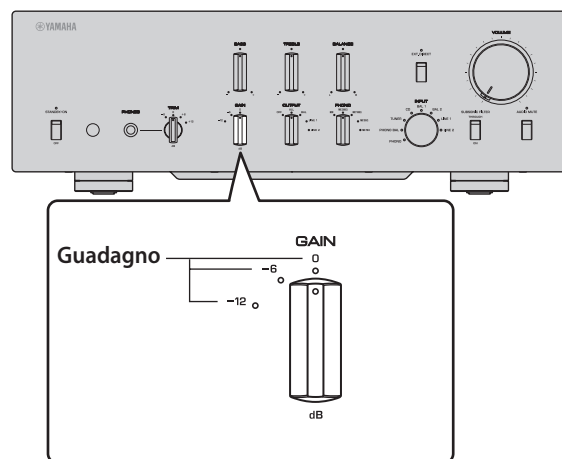


Nota

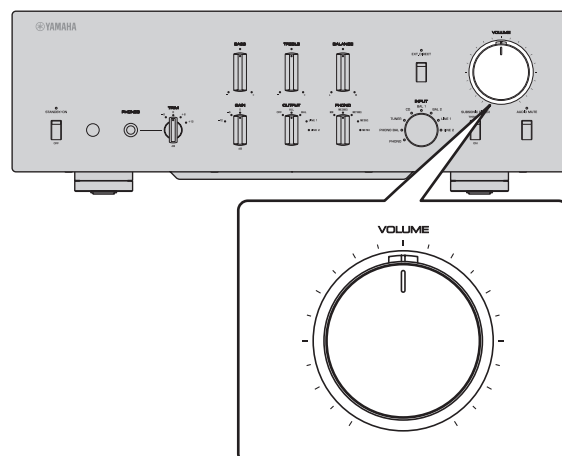
Il filtro subsonico è disabilitato ogni volta che una sorgente audio diversa dal giradischi (collegato alle prese PHONO) è selezionata come sorgente di ingresso, anche se l'interruttore SUBSONIC FILTER è attivato.

Regolazione del livello del volume

Impostare il guadagno con il selettore GAIN in modo da poter effettuare le regolazioni del volume.

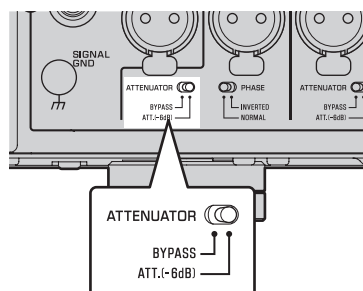


Regolare il livello del volume mediante il controllo VOLUME.



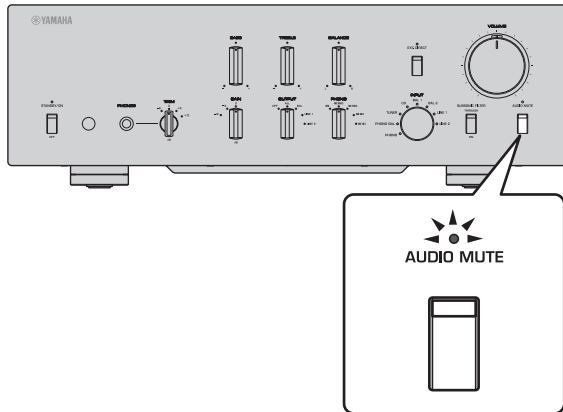
Nota

Se si avverte ancora la distorsione nonostante il controllo VOLUME sia al minimo, il segnale potrebbe superare il livello di ingresso consentito. Se la sorgente audio viene ricevuta dalle prese di ingresso bilanciate (BAL 1 o BAL 2), impostare il selettore ATTENUATOR su ATT. (-6 dB).



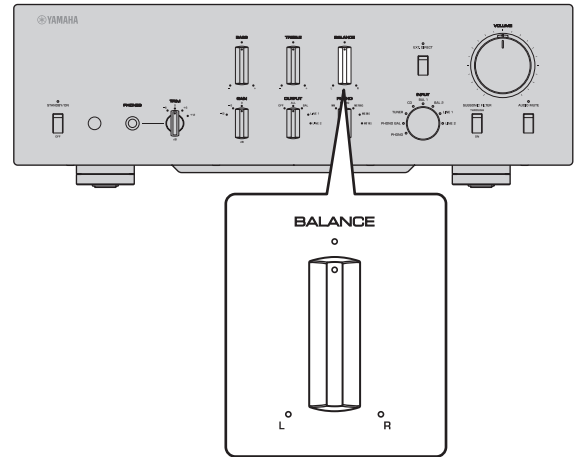
Riduzione momentanea del livello del volume

Premere l'interruttore AUDIO MUTE per ridurre di circa 20 dB il volume attuale. Premerlo nuovamente per riportare il volume audio al suo livello precedente.

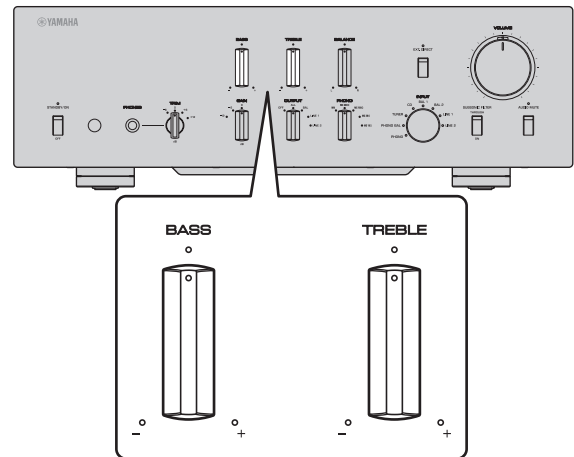


Regolazione del tono

Regolare il bilanciamento del livello del volume tra i diffusori sinistro e destro mediante il controllo BALANCE.



Regolare il livello del volume delle gamme basse e alte utilizzando i controlli BASS e TREBLE.

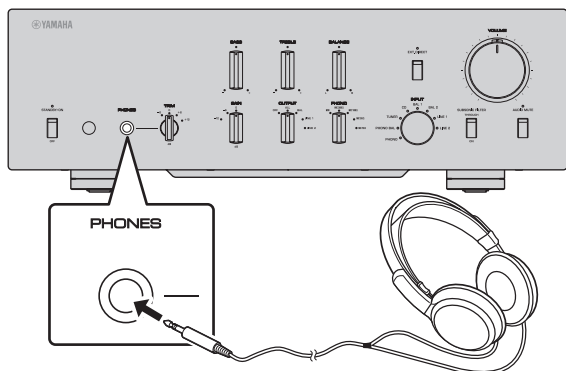


Nota

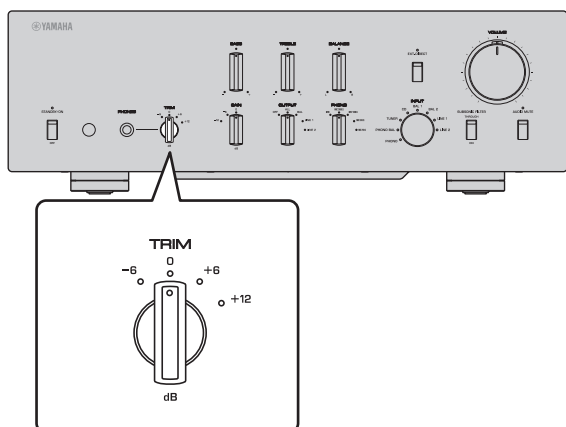
- Se entrambi i controlli BASS e TREBLE sono impostati al centro, il segnale audio bypasserà il circuito di controllo del tono.
- Le impostazioni dei controlli BASS, TREBLE e BALANCE non influiscono sui segnali di ingresso delle prese EXT. IN né sui segnali di uscita delle prese LINE 2 OUT (registrazione).

Collegamento delle cuffie

Se le cuffie sono collegate alla presa PHONES, non verrà trasmesso alcun segnale alle prese di uscita (BAL, LINE 1 e LINE 2) sul pannello posteriore.



Utilizzare il selettore TRIM per commutare il guadagno dell'amplificatore delle cuffie in modo da poter regolare il livello del bilanciamento del volume tra l'uscita audio della presa PHONES e i diffusori per evitare improvvise variazioni di volume.



Nota

Se si seleziona EXT. DIRECT, non verrà trasmesso alcun segnale dalla presa PHONES.

Materiali di riferimento

C-5000

Specifiche generali

Tensione di uscita nominale/impedenza di uscita (ingresso 200 mV, da 20 Hz a 20 kHz, THD 0,01%)

BAL (BYPASS).....	2 Vrms/150Ω
BAL (ATT. -6dB).....	1 Vrms/150Ω
LINE 1/LINE 2.....	1 Vrms/150Ω
LINE 2 OUT (registrazione).....	200 mVrms/1,2 kΩ

Tensione di uscita massima (1 kHz, THD 0,05%)

BAL.....	6 Vrms
LINE 1/LINE 2.....	3 Vrms
LINE 2 OUT (registrazione).....	3 Vrms

Sensibilità d'ingresso/impedenza d'ingresso

BAL/LINE 1/LINE 2, 1 V

BAL 1/BAL 2.....	200 mVrms/52 kΩ
TUNER/CD/LINE 1/LINE 2 IN	200 mVrms/47 kΩ
EXT.IN.....	1 Vrms/20 kΩ

LINE 2 OUT (registrazione) (150 mV, 1 kHz)

PHONO (MC 300Ω).....	100 μVrms/300Ω
PHONO (MC 100Ω).....	100 μVrms/100Ω
PHONO (MC 30Ω).....	100 μVrms/30Ω
PHONO (MC 10Ω).....	100 μVrms/10Ω
PHONO (MM, tipo XLR).....	2,5 mVrms/52 kΩ
PHONO (MM, tipo RCA).....	2,5 mVrms/47 kΩ

Tensione massima del segnale in ingresso

LINE 2 OUT (registrazione) (1 kHz, THD 0,05%)

BAL (BYPASS).....	2,8 Vrms
BAL (ATT. -6dB).....	5,6 Vrms
TUNER/CD/LINE 1/LINE 2 IN.....	2,8 Vrms
PHONO (MC).....	2 mVrms
PHONO (MM).....	50 mVrms
EXT.IN.....	5,6 Vrms

Risposta in frequenza (JEITA, carico 22 kΩ)

Da 10 Hz a 100 kHz.....	+0/-3 dB
Da 20 Hz a 20 kHz.....	+0/-0,3 dB

Distorsione armonica complessiva più rumore (JEITA, ingresso 0,5 V, da 20 Hz a 20 kHz)

BAL 1/BAL 2/TUNER/CD/LINE 1/LINE 2 IN → BAL/LINE 1/LINE 2.....	0,0100%
PHONO (MC) → LINE 2 OUT (registrazione)	0,0200%
PHONO (MM) → LINE 2 OUT (registrazione)	0,0200%

Separazione dei canali

(ingresso terminato 1,0 kΩ, 1 kHz/10 kHz JEITA)

BAL 1/BAL 2/TUNER/CD/LINE 1/LINE 2 IN	110 dB o più
PHONO (MC).....	80 dB o più
PHONO (MM).....	98 dB o più

Separazione delle funzioni

(rete IHF-A, ingresso 1,0 kΩ terminato, JEITA)

BAL 1/BAL 2/TUNER/CD/LINE 1/LINE 2 IN	110 dB o più
PHONO (MC).....	75 dB o più
PHONO (MM).....	95 dB o più

Rapporto segnale/rumore

(rete IHF-A, ingresso 1,0 kΩ terminato)

BAL 1/BAL 2/TUNER/CD/LINE 1/LINE 2 IN	110 dB o più
PHONO (MC 300Ω).....	80 dB o più
PHONO (MM).....	98 dB o più

Rumore residuo (rete IHF-A)

BAL/LINE 1/LINE 2.....	3 μV
------------------------	------

Caratteristiche di controllo dei toni

Bassi

Enfasi/riduzione.....	30 Hz/±9 dB
Frequenza di turnover.....	350 Hz

Acuti

Enfasi/riduzione.....	20 kHz/±9 dB
Frequenza di turnover.....	3,5 kHz

**Potenza nominale di uscita della presa delle cuffie
(1 kHz, 32Ω, 0,2% THD)**

..... 35 mW + 35 mW

Deviazione di equalizzazione RIAA

MC/MM ±0,5 dB

Caratteristiche filtro subsonico

MC/MM 15 Hz/-3 dB

Alimentazione

[Modelli per USA e Canada] CA 120 V, 60 Hz

[Modello per la Cina] CA 220 V, 50 Hz

[Modello per la Corea] CA 220 V, 60 Hz

[Modello per l'Australia] CA 240 V, 50 Hz

[Modelli per Regno Unito ed Europa]
..... CA 230 V, 50 Hz

[Modello per l'Asia] . . . CA 220-240 V, 50 Hz/60 Hz

[Modelli per America Centrale, Sud America
e Taiwan] CA 110 V, 60 Hz

Consumo energetico

..... 60 W

Consumo in modalità standby

Modalità spento 0,1 W

Modalità standby 0,2 W

Dimensioni (L × A × P)

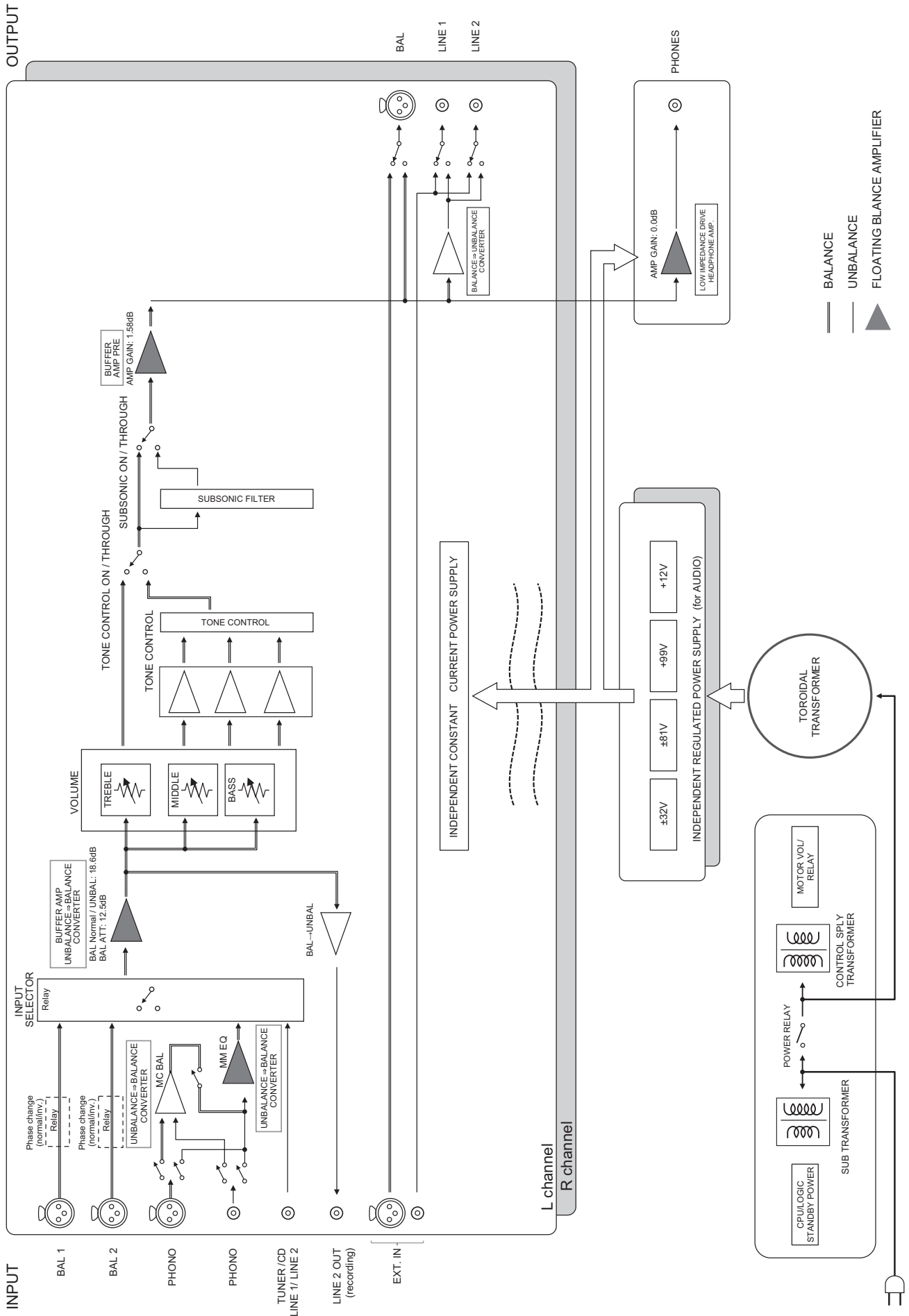
..... 435 × 142 × 451 mm

Peso

..... 19,1 kg

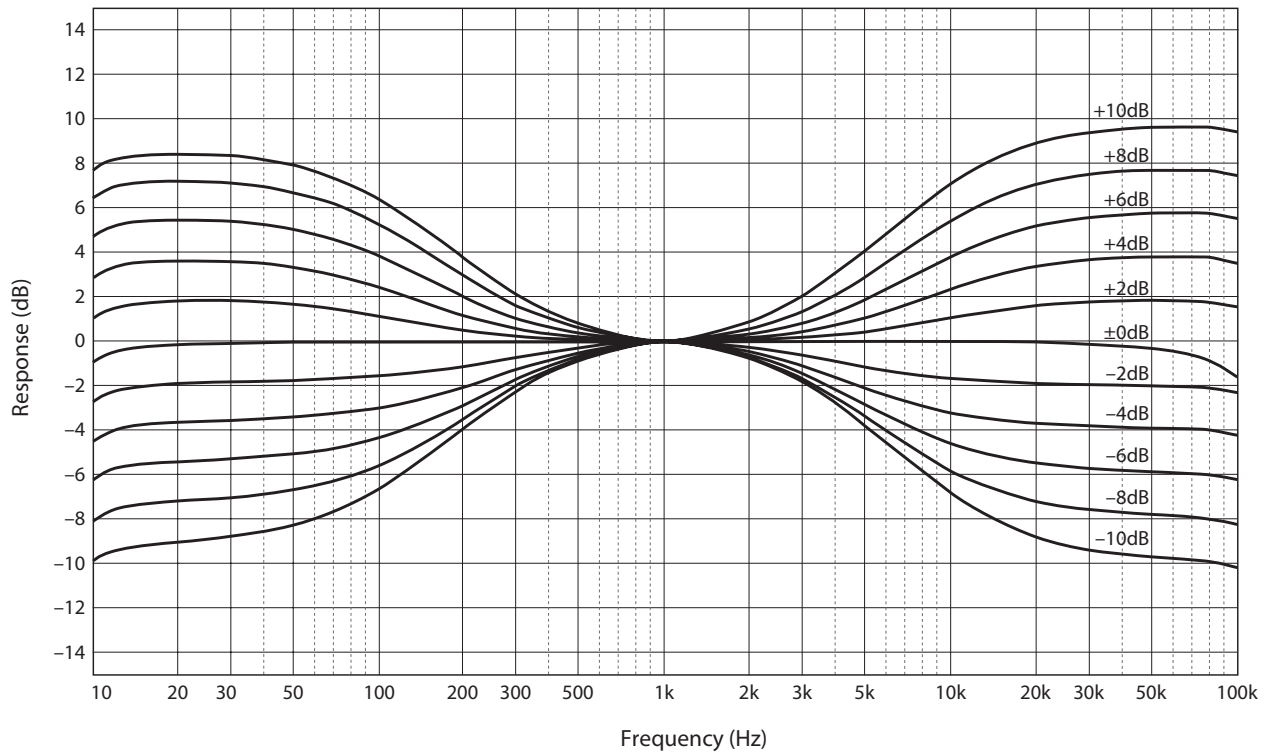
* Il contenuto del presente manuale si applica alle ultime specifiche tecniche a partire dalla data di pubblicazione. Per ottenere la versione più recente del manuale, accedere al sito Web Yamaha e scaricare il file corrispondente.

Diagramma a blocchi

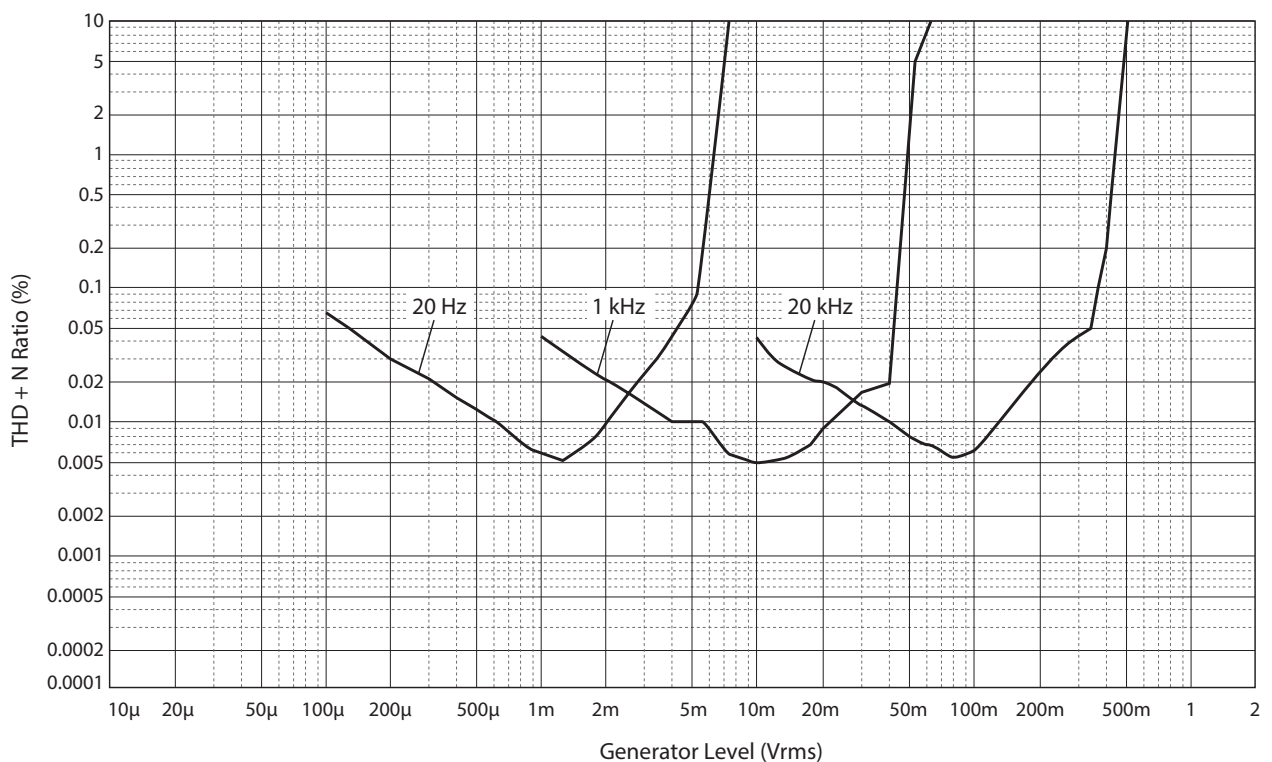


Caratteristiche audio

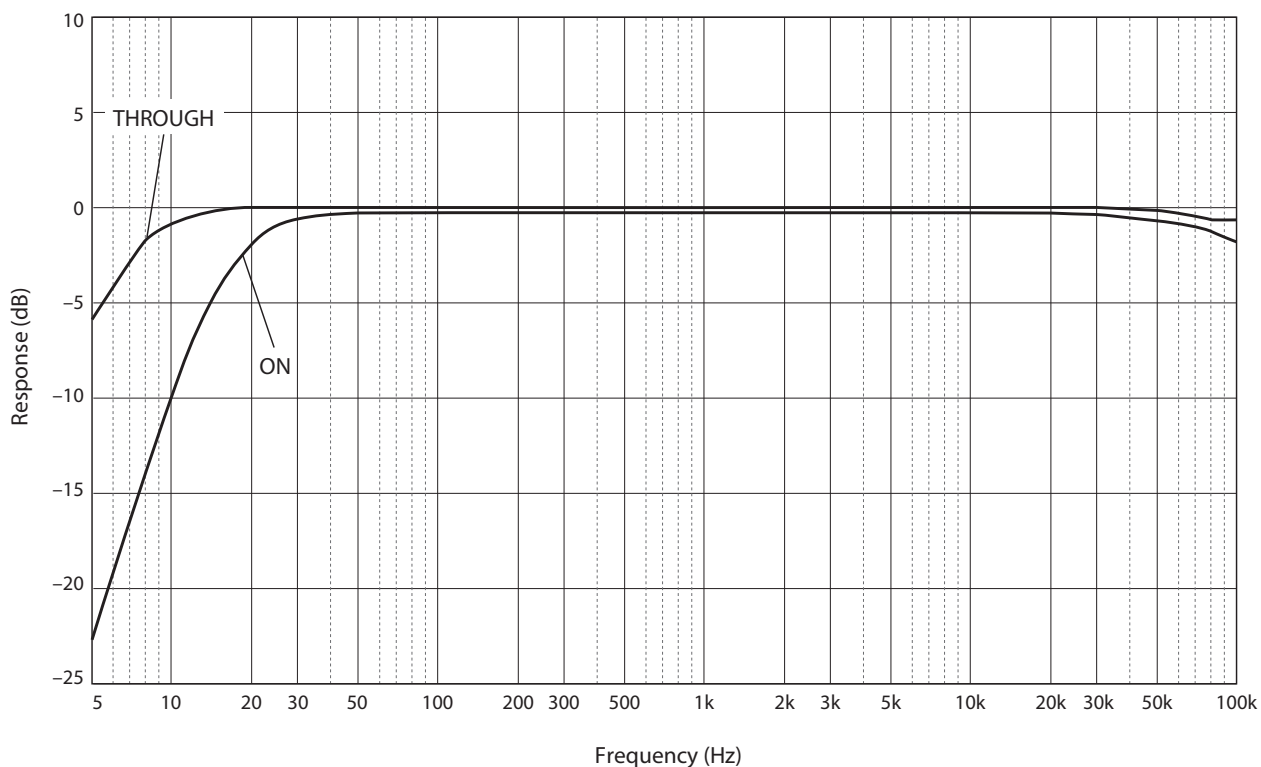
Risposta in frequenza (controllo del tono)



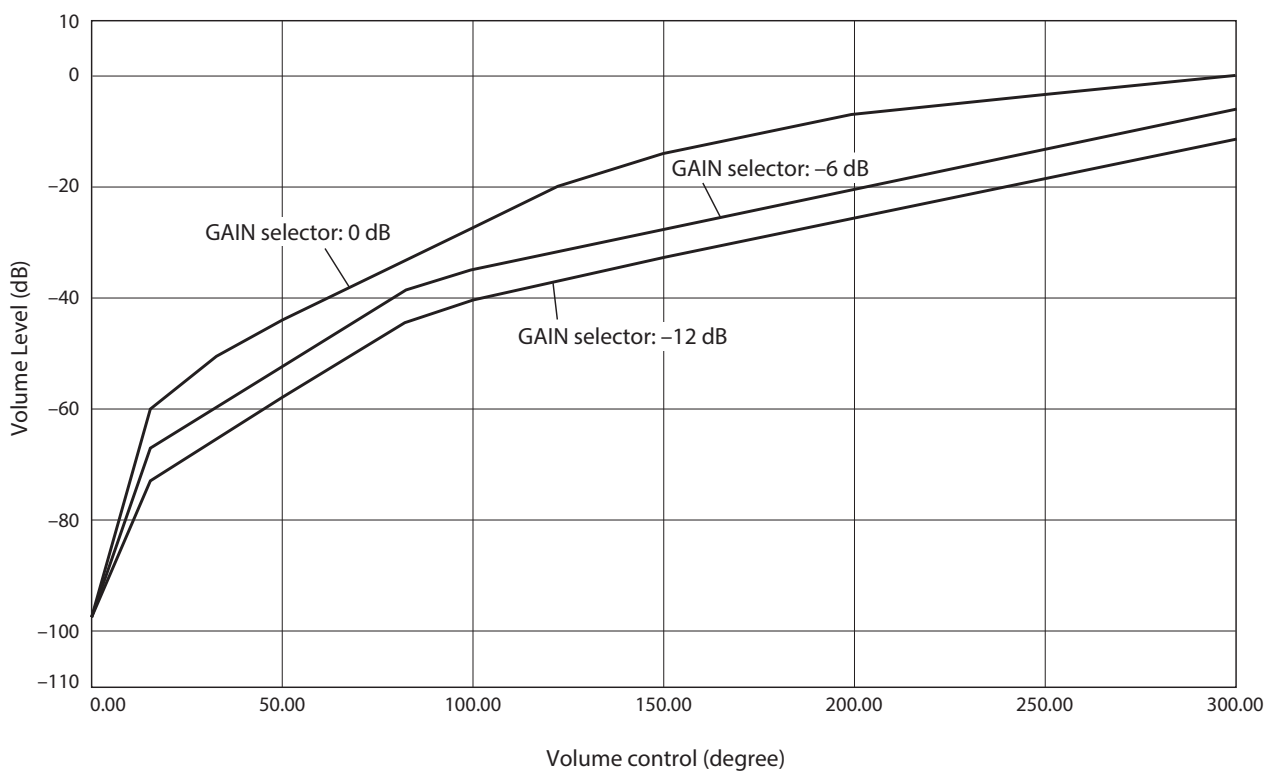
Distorsione armonica complessiva (PHONO)



Filtro subsonico



Curva del volume



Risoluzione dei problemi

Se quest'unità non funziona a dovere, consultare la seguente tabella. Se il problema riscontrato non fosse presente nell'elenco o se i rimedi proposti non fossero di aiuto, spegnere l'unità, scollegare il cavo di alimentazione e mettersi in contatto col rivenditore autorizzato o centro assistenza Yamaha più vicino.

Problema	Causa	Rimedio	Vedere pagina
L'unità non si accende.	Il cavo di alimentazione non è collegato alla presa AC IN del pannello posteriore o ad una presa di corrente alternata.	Collegare saldamente il cavo di alimentazione.	186
	Quest'unità è stata esposta a forti scariche elettriche (ad esempio fulmini o forte elettricità statica).	Spegnere l'unità, scollegare il cavo di alimentazione dalla presa CA, attendere circa 30 secondi, quindi ricollegarlo.	186
	I circuiti interni di quest'unità hanno qualche problema.	Scollegare il cavo di alimentazione dalla presa di corrente e rivolgersi al rivenditore o centro servizio autorizzato Yamaha più vicino.	186
Non viene emesso audio.	Ingresso scelto scorretto o collegamenti scorretti.	Verificare il collegamento dei cavi. Se il problema persiste, i cavi sono probabilmente difettosi.	180
	Non si è scelta una sorgente di segnale adatta.	Scegliere una sorgente di segnale adatta mediante il selettore INPUT del pannello anteriore o uno dei tasti del telecomando.	188
	L'impostazione del selettore OUTPUT non corrisponde alle prese di uscita utilizzate.	Selezionare un'uscita appropriata tramite il selettore OUTPUT.	188
Impossibile regolare il livello del volume.	EXT. DIRECT è selezionato come sorgente di segnale in ingresso.	Regolare il volume sul componente collegato. In alternativa, collegare il componente esterno a una coppia di prese di ingresso diverse da EXT. IN, quindi selezionare la sorgente di ingresso corrispondente.	180 188
Si sente solo un diffusore di canale.	Il componente di riproduzione non è collegato correttamente.	Assicurarsi che lo sia. Se il problema persiste, i cavi sono probabilmente difettosi.	180

Problema	Causa	Rimedio	Vedere pagina
Si sente un ronzio.	Ingresso scelto scorretto o collegamenti scorretti.	Verificare il collegamento dei cavi. Se il problema persiste, i cavi sono probabilmente difettosi.	180
	Non è stata effettuata la messa a terra del giradischi sul terminale GND.	Collegare il giradischi al terminale GND di quest'unità.	182
	Si stanno utilizzando contemporaneamente i cavi bilanciati e non bilanciati tra due componenti.	Non utilizzare contemporaneamente cavi bilanciati e non bilanciati tra due componenti. Questo doppio collegamento crea un loop di terra che produce energia statica e rumore.	181
Il suono della riproduzione audio dal componente audio collegato alle prese di ingresso bilanciate BAL 1 o BAL 2 è distorto.	Il livello del segnale sulle prese di ingresso bilanciate supera il livello di ingresso consentito.	Se il livello del segnale sulle prese di uscita bilanciate di tipo XLR sul componente collegato è doppio rispetto alle prese non bilanciate RCA, impostare il selettore ATTENUATOR situato sotto le prese di ingresso su ATT. (-6 dB).	190
I bassi mancano di profondità quando si seleziona BAL 1 o BAL 2 (ingresso bilanciato).	La polarità non è corretta.	Selezionare la polarità corretta con il selettore PHASE.	174
Il livello del volume del disco in vinile è troppo basso.	L'interruttore PHONO sul pannello anteriore non è impostato correttamente.	Portare l'interruttore PHONO su MM o MC a seconda del tipo di testina magnetica posseduta dal giradischi.	189
Il telecomando non funziona o funziona male.	Il telecomando è stato utilizzato fuori dal raggio operativo.	Il telecomando deve essere utilizzato entro 6 m e a non più di 30 gradi rispetto all'asse del sensore del telecomando sul pannello anteriore.	178
	La luce solare diretta o una sorgente luminosa (una lampada a fluorescenza, stroboscopica o altro) colpisce il sensore del telecomando sul pannello anteriore dell'unità.	Cambiare l'orientamento dell'illuminazione o riposizionare l'unità.	178
	Le batterie sono indebolite.	Sostituire tutte le batterie.	178

Indice

A

Accensione	166
Amplificatore di potenza, Collegamento	183
ATTENUATOR, Selettore	190
Attivazione, Collegamento	184
AUDIO MUTE, Interruttore	191
AUTO POWER STANDBY, Interruttore	173

B

BAL 1, Presa	171
BAL 2, Presa	171
BALANCE, Controllo	191
BAL, Presa	173
BASS, Controllo	191

C

Collegamento bilanciato	174
Collegamento non bilanciato	175
Collegamento remoto	185
Componente di registrazione, Collegamento	182
Cuffie, Collegamento	192

E

EXT. DIRECT, Interruttore	189
EXT. IN, Presa	183

G

GAIN, Selettore	190
Giradischi, Collegamento	182

I

Indicatore di alimentazione	166
Indicatore STANDBY/ON/OFF	166
INPUT, Selettore	188
Interruttore di alimentazione	166
Interruttore STANDBY/ON/OFF	166

L

LINE 1, Presa	173
LINE 2 IN, Presa	172
LINE 2 OUT (registrazione), Presa	172
LINE 2, Presa	173

O

OUTPUT, Selettore	188
-------------------------	-----

P

PHASE, Selettore	174
PHONES, Presa	192
PHONO, Presa	182
PHONO, Selettore	189
Presa AC IN	186
Presa ingresso esterno	183
Presa Phono	182

R

Regolazione dell'ingresso del giradischi	189
REMOTE, Presa	185

S

Sensore del telecomando	178
SERVICE, Presa	173
SUBSONIC FILTER	190
SUBSONIC FILTER, Interruttore	190
Subwoofer, Collegamento	183

T

Terminale di terra	182
Terminale SIGNAL GND	182
Terminale terra del segnale	182
TREBLE, Controllo	191
TRIGGER, Presa	184
TRIM, Selettore	192

V

VOLUME, Controllo	190
-------------------------	-----

Gracias y enhorabuena por la compra de este producto Yamaha.

- ◆ Puede disfrutar del sonido estéreo de calidad alta de este preamplificador en casa.
- ◆ En este Manual del propietario se describen las funciones, los procedimientos de conexión y las operaciones de la unidad.
- ◆ Para utilizar el producto de forma adecuada y segura, le sugerimos que lea detenidamente este manual y el Folleto de seguridad (folleto independiente).
Conserve el manual en un lugar seguro y de fácil acceso como referencia futura.



Puede descargar una versión en PDF de este manual desde el siguiente sitio web de Yamaha.

<https://download.yamaha.com/>

Funciones

- ◆ El diseño simétrico de izquierda-derecha crea una estructura equilibrada
- ◆ Funcionamiento clase A de transmisión de señal balanceada completamente flotante de etapa completa de entrada a salida
- ◆ Amplificador de ecualizador phono completamente flotante y balanceado con entradas balanceadas
- ◆ Controles de precisión alta que emplean una estructura de soporte patentada e interruptores de palanca con alto grado de rigidez
- ◆ Transformador doble diseñado específicamente para audio, completamente independiente de la alimentación de control
- ◆ La estructura mecánica estable con conexión a tierra reduce drásticamente el impacto de la vibración externa.
- ◆ Circuito de control de tono que incluye un sistema de volumen paralelo patentado
- ◆ Patas con puntas de latón de nuevo diseño
- ◆ Función de control de ganancia que permite un ajuste del volumen muy preciso

Acerca de este manual

- ◆ Las ilustraciones que se muestran en este manual son únicamente orientativas.
- ◆ Los nombres de empresas y de productos que aparecen en este manual son marcas comerciales o marcas comerciales registradas de sus respectivos propietarios.
- ◆  **ADVERTENCIA** describe las precauciones que se deben seguir para evitar la posibilidad de lesiones graves o la muerte.
- ◆  **ATENCIÓN** describe las precauciones que se deben seguir para evitar la posibilidad de lesiones.
- ◆ **AVISO** describe las precauciones que se deben seguir para evitar la posibilidad de averías/daños al producto o daños a los datos.
- ◆ **Nota** describe información complementaria acerca del producto.
- ◆ Antes de comenzar a utilizar el producto, asegúrese de leer el documento “Folleto de seguridad” independiente.

Contenido

Funciones	202
Acerca de este manual	202
Accesorios suministrados	204
Mantenimiento	204
Paneles laterales con acabado de espejo	204
Superficies distintas de los paneles laterales con acabado de espejo.	204

Nombres y funciones de las piezas

Panel delantero	206
Panel trasero	210
Conexiones balanceadas y no balanceadas	214
Mando a distancia	216
Instalación de las pilas en el mando a distancia.	218
Control del mando a distancia	218

Conexiones

Conexión de un componente externo . . .	220
Conexión de un giradiscos	222
Conexión de un componente de grabación	222
Conexión de otro preamplificador	223
Conexión de un amplificador de potencia y un altavoz de subgraves activo	223
Conexiones de activación	224
Control de la operación de encendido y apagado de un componente conectado, como un amplificador de potencia, de manera sincronizada con esta unidad . .	224
Control de la operación de encendido y apagado de la unidad de manera sincronizada con un componente conectado, como un receptor AV	224
Conexiones remotas	225
Control de la unidad desde otra habitación.	225
Conexión remota entre componentes Yamaha	225
Conexión del cable de alimentación	226

Operaciones

Encendido de la unidad	228
Selección de la entrada y la salida	228
Selección de la entrada desde los jacks EXT.IN	229
Selección del ajuste de entrada del giradiscos	229
Selector PHONO	229
Filtro subsónico	230
Ajuste del nivel de volumen	230
Bajada momentánea del nivel de volumen.	231
Ajuste del tono	231
Conexión de auriculares	232

Materiales de referencia

Especificaciones generales	234
Diagrama en bloques	236
Características de audio	237
Respuesta de frecuencia (control de tono)	237
Distorsión armónica total (PHONO). . . .	237
Filtro subsónico	238
Curva de volumen.	238
Resolución de problemas	239
Índice	241

Accesorios suministrados

Asegúrese de que el embalaje incluye los accesorios siguientes.

- Mando a distancia
- Pilas (AAA, R03, UM-4) (x2)
- Cable de alimentación
- Manual de instrucciones (este libro)
- Folleto de seguridad (folleto independiente)



ADVERTENCIA

No utilice el cable de alimentación suministrado para otros dispositivos.

Mantenimiento

Para utilizar este producto durante un periodo prolongado, se recomienda realizar un mantenimiento periódico.



ADVERTENCIA

- Compruebe el cable de alimentación periódicamente para ver si acumula polvo. Si es así, limpie todo el polvo. De lo contrario, se puede provocar un incendio o una descarga eléctrica.
- No utilice aerosoles o pulverizadores de gas inflamable con fines de limpieza o lubricación. De lo contrario, el gas inflamable se acumulará en el interior de la unidad, lo que puede provocar una explosión o un incendio.

AVISO

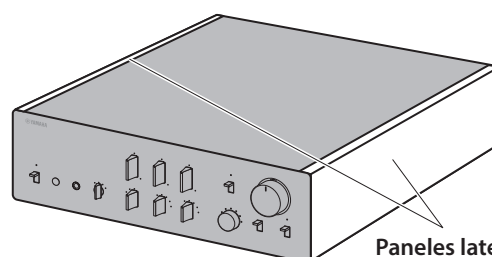
- Utilice un paño suave y seco para limpiar la unidad. El uso de agentes de limpieza, como benceno o diluyente, detergente o un paño tratado químicamente puede provocar cambios de color o el deterioro de la superficie. Si la superficie se ensucia mucho, humedezca un paño con detergente (diluido en agua), escúrralo bien y limpie la suciedad.
- Si limpia la zona de la superficie cercana al logotipo de Yamaha con fuerza, es posible que el logotipo se despegue o que se adhieran fibras del paño a la superficie.

Paneles laterales con acabado de espejo

Se recomienda utilizar un paño de limpieza como los destinados a pianos. Si la superficie está muy sucia, utilice un paño suave humedecido en agua y bien escurrido.

Superficies distintas de los paneles laterales con acabado de espejo

Limpie las demás superficies con un paño suave y seco. Si la superficie se ensucia mucho, humedezca un paño con detergente diluido en agua, escúrralo bien y limpie la suciedad de la superficie.

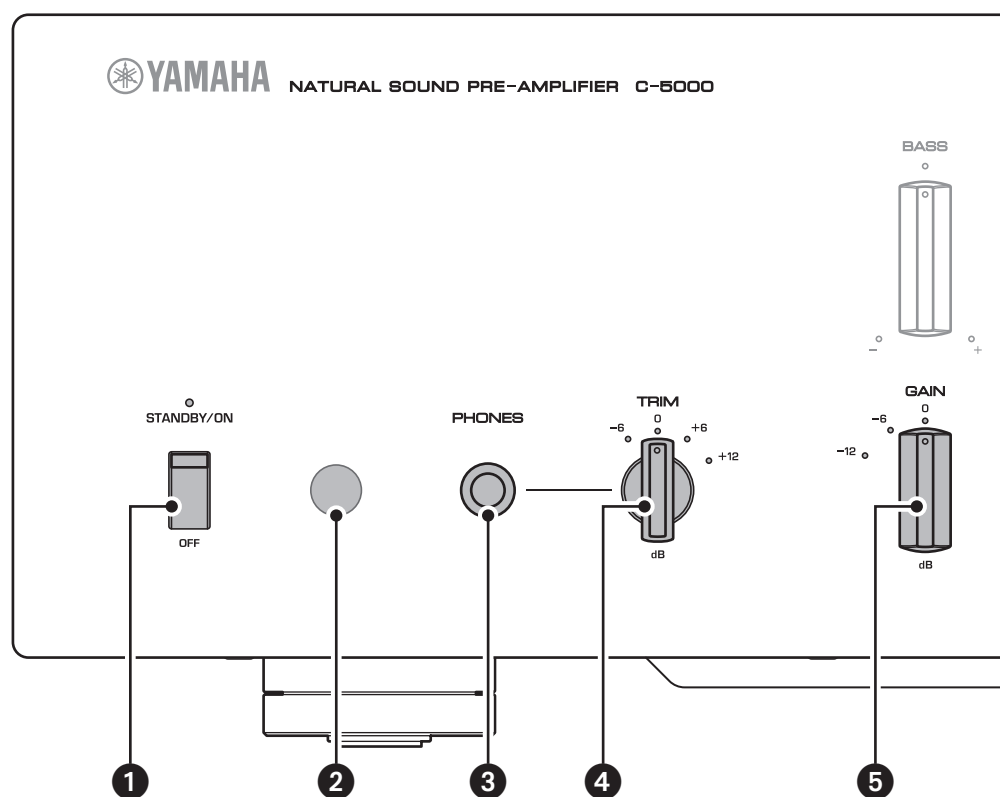


Paneles laterales con acabado de espejo

Nombres y funciones de las piezas

En esta sección se enumeran los nombres y se describen las funciones de las distintas piezas de los paneles delantero y trasero, así como del mando a distancia.

Panel delantero



1 Interruptor/indicador STANDBY/ON/OFF (alimentación)

Activa (espera) o desactiva la alimentación de la unidad.

STANDBY/ON: cambia entre el modo de espera y el activado usando la tecla  AMP del mando a distancia.

OFF: desactiva la alimentación de la unidad.

Estado de alimentación	Indicador
Modo activado	Iluminación intensa
Modo de espera	Iluminación tenue
Modo desactivado	Apagado

La unidad pasará al modo de espera no solo al pulsar la tecla AMP en el mando a distancia, sino también si se produce uno de los eventos siguientes:

- Si la unidad está encendida pero no se utiliza durante ocho horas con la función de espera automática activada.
- Si apaga la alimentación del dispositivo que está conectado al TRIGGER IN de esta unidad.

Para obtener más información, consulte “**17** Interruptor AUTO POWER STANDBY” de la sección “Panel trasero” (página 213) y “Conexiones de activación” (página 224).

Nota

Tras encender la unidad, tendrá que esperar unos segundos antes de que pueda reproducir sonido.

AVISO

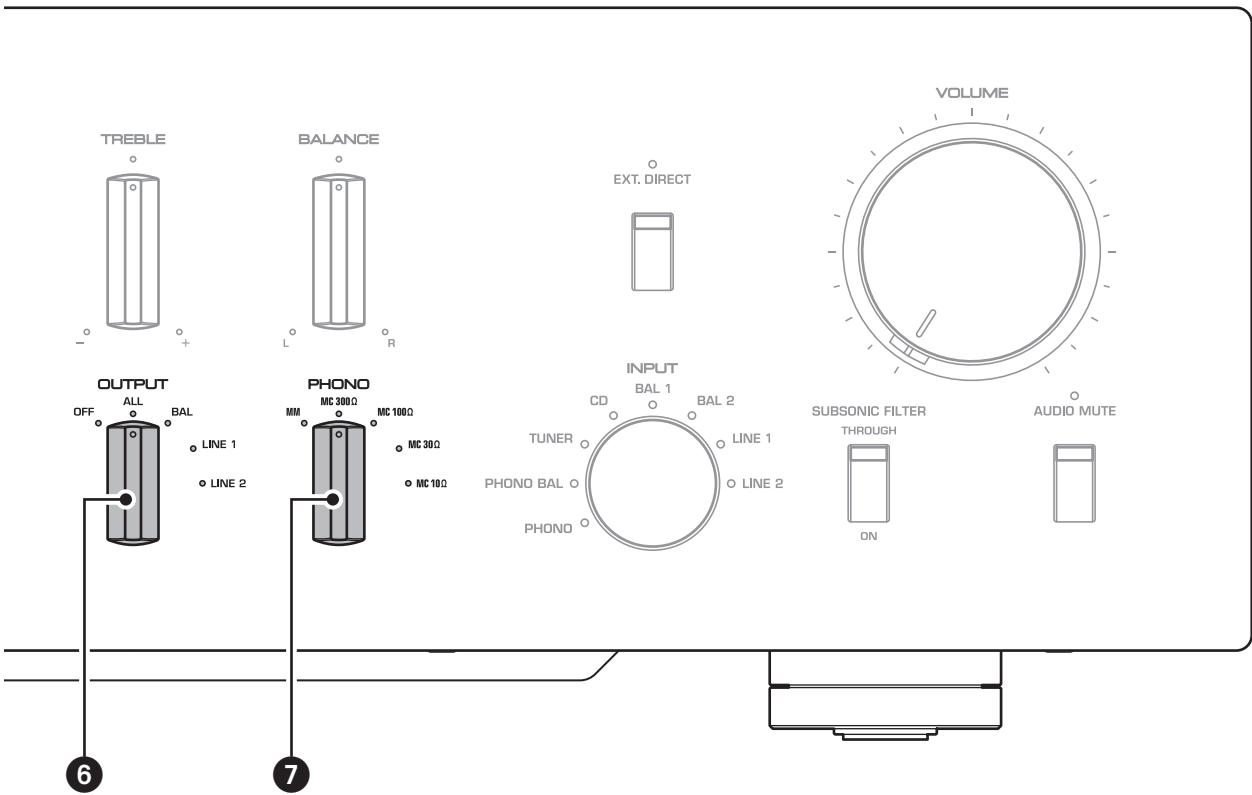
Si no va a utilizar la unidad durante un periodo prolongado, asegúrese de desenchufar el enchufe de alimentación de la toma de CA. Aunque el interruptor STANDBY/ON/OFF (alimentación) esté desactivado (el indicador de alimentación está oscuro), una cantidad mínima de corriente eléctrica sigue fluyendo hacia la unidad.

2 Sensor del mando a distancia

Recibe señales del mando a distancia. Para obtener más información, consulte “Control del mando a distancia” (página 218).

3 Jack PHONES

Conecte los auriculares aquí para escuchar música en privado. Para obtener más información, consulte “Conexión de auriculares” (página 232).



4 Selector TRIM

Cambia la ganancia del amplificador de auriculares. La unidad ajustará el nivel de volumen cuando los auriculares estén conectados para evitar cambios repentinos de volumen modificando el balance de nivel entre la salida de audio procedente del jack PHONES y de los altavoces.

Opciones: -6 dB, 0 dB, +6 dB, +12 dB

5 Selector GAIN

Cambia la ganancia del preamplificador. La unidad se adaptará sin problemas a la ganancia del amplificador de potencia y a la sensibilidad de los altavoces, lo que le permitirá hacer ajustes precisos del volumen. Para obtener más información, consulte “Ajuste del nivel de volumen” (página 230).

Opciones: -12 dB, -6 dB, 0 dB

6 Selector OUTPUT

Especifica los jacks OUTPUT que emitirán señales, de la siguiente forma:

Utilice este selector si se conectan varios amplificadores de potencia.

	Selector OUTPUT				
	OFF	ALL	BAL	LINE1	LINE2
Jacks BAL	—	Salida	Salida	—	—
Jacks LINE 1	—	Salida	—	Salida	—
Jacks LINE 2	—	Salida	—	—	Salida

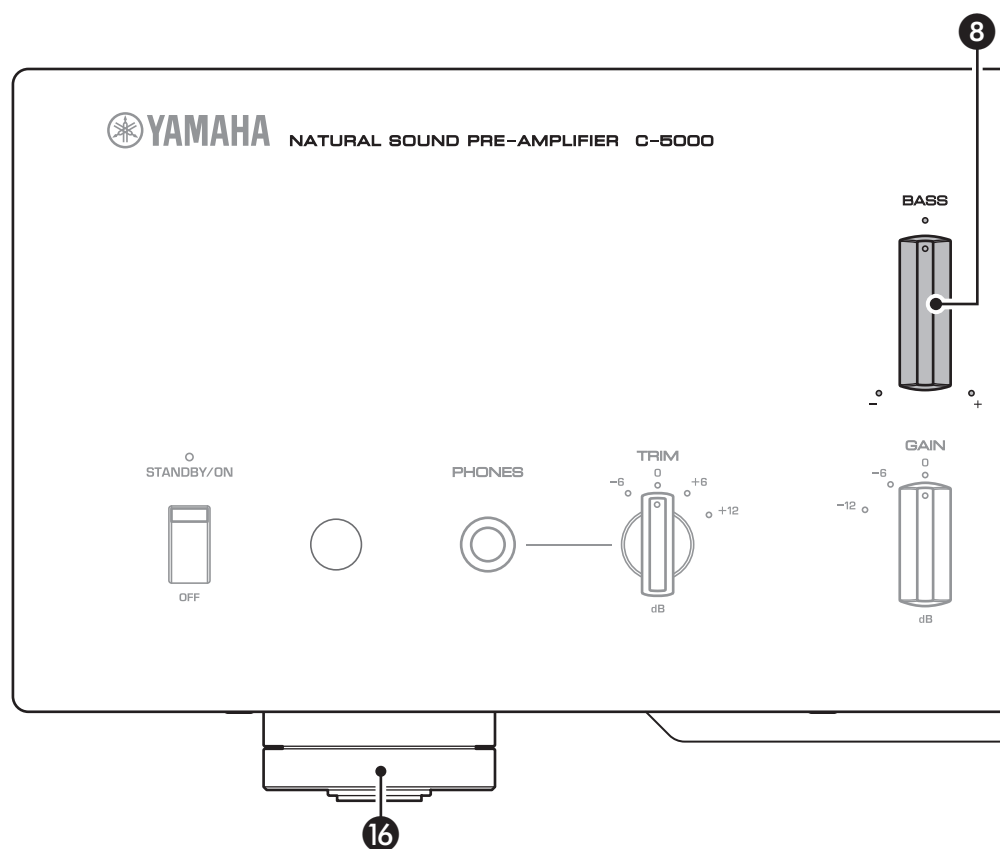
7 Selector PHONO

Indica el tipo de cartucho instalado en el giradiscos que está conectado a los jacks PHONO en el panel trasero (MM, MC 300Ω, MC 100Ω, MC 30Ω, MC 10Ω). Para obtener más información, consulte “Selección del ajuste de entrada del giradiscos” (página 229).

AVISO

Antes de sustituir el cartucho, asegúrese de apagar la alimentación de esta unidad.

Panel delantero



8 Control BASS

Ajusta la respuesta de frecuencia baja en la gama de -10 dB a $+10$ dB (en pasos de $0,5$ dB). La posición central produce una respuesta plana.

9 Control TREBLE

Ajusta la respuesta de frecuencia alta en la gama de -10 dB a $+10$ dB (en pasos de $0,5$ dB). La posición central produce una respuesta plana.

10 Control BALANCE

Ajusta el balance de salida de audio de los altavoces izquierdo y derecho en la gama de L (el canal derecho está silenciado) a R (el canal izquierdo está silenciado) para compensar los desequilibrios del sonido debidos a las ubicaciones de los altavoces o a las condiciones de la sala de escucha.

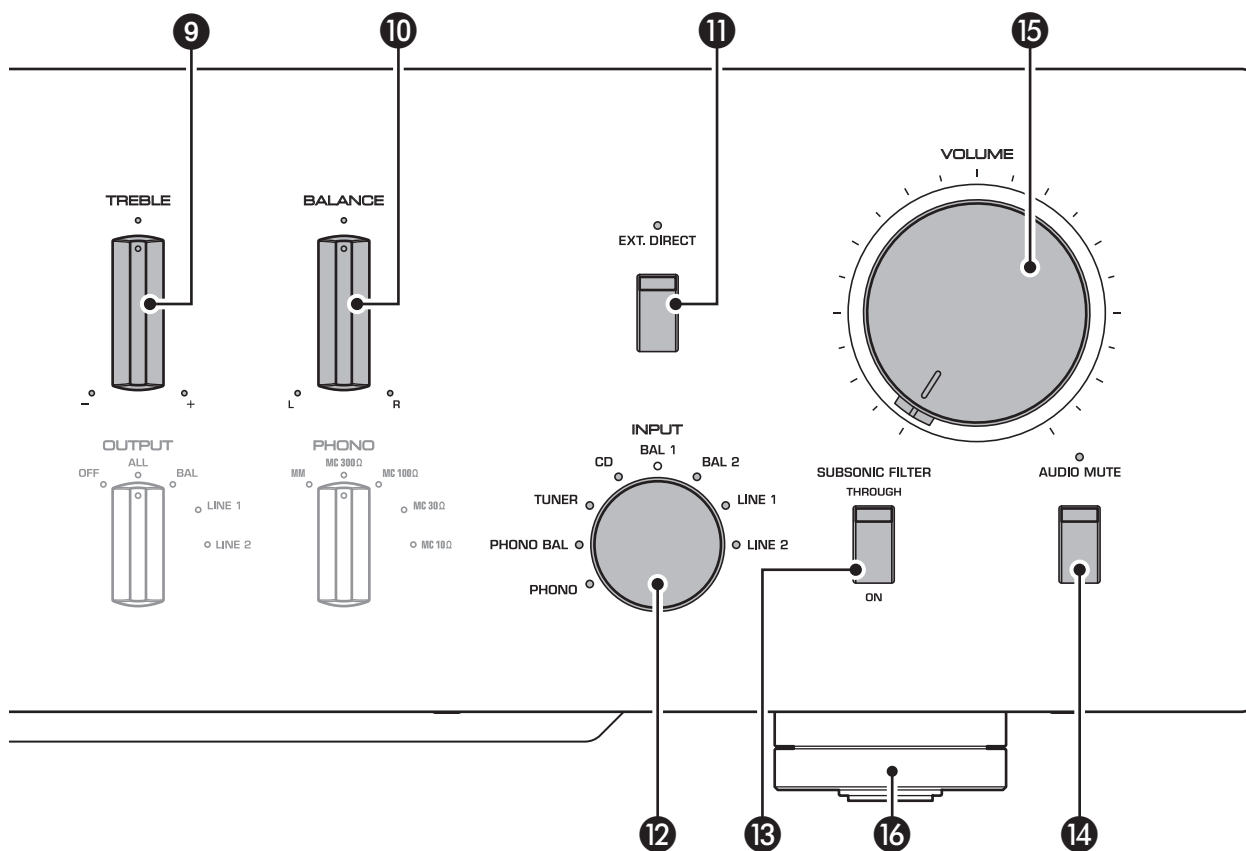
11 Interruptor/indicador EXT. DIRECT

Si pulsa el interruptor EXT. DIRECT una vez, el indicador EXT. DIRECT se iluminará, y la entrada de fuente de audio en los jacks EXT. IN se emitirá por los jacks de salida conectados. Para obtener más información, consulte “Conexión de otro preamplificador” (página 223) y “Selección de la entrada y la salida” (página 228).

Si pulsa el interruptor EXT. DIRECT de nuevo o gira el selector INPUT, la señal especificada por el selector INPUT se convertirá en la fuente de entrada, y el indicador EXT. DIRECT se apagará.

Nota

Si se selecciona EXT. DIRECT, no se emitirá ninguna señal por los jacks LINE 2 OUT (grabación) ni por el jack PHONES.



12 Selector/indicador INPUT

Permite seleccionar la fuente de entrada que se va a reproducir. Las opciones son: **PHONO, PHONO BAL, TUNER, CD, BAL 1, BAL 2, LINE 1 y LINE 2**. El indicador para la fuente de entrada seleccionada se ilumina.

Nota

Si aquí se selecciona LINE 2, no se emitirán señales de audio por los jacks LINE 2 OUT (grabación).

13 Interruptor SUBSONIC FILTER

Alterna entre **ON** (activado) y **THROUGH** (desactivado) para el filtro subsónico. Para obtener más información, consulte “Selección del ajuste de entrada del giradiscos” (página 229).

Nota

Si el selector INPUT está establecido en cualquier opción distinta de PHONO o PHONO BAL, el filtro se desactivará.

14 Interruptor/indicador AUDIO MUTE

Pulse este interruptor para reducir el nivel de volumen actual 20 dB aproximadamente. El indicador se iluminará. Púlselo de nuevo para reponer la salida de audio al nivel de volumen anterior. El indicador se apagará.

15 Control VOLUME

Ajusta el nivel del volumen. Este ajuste no afectará al nivel de salida en los jacks LINE 2 OUT (grabación).

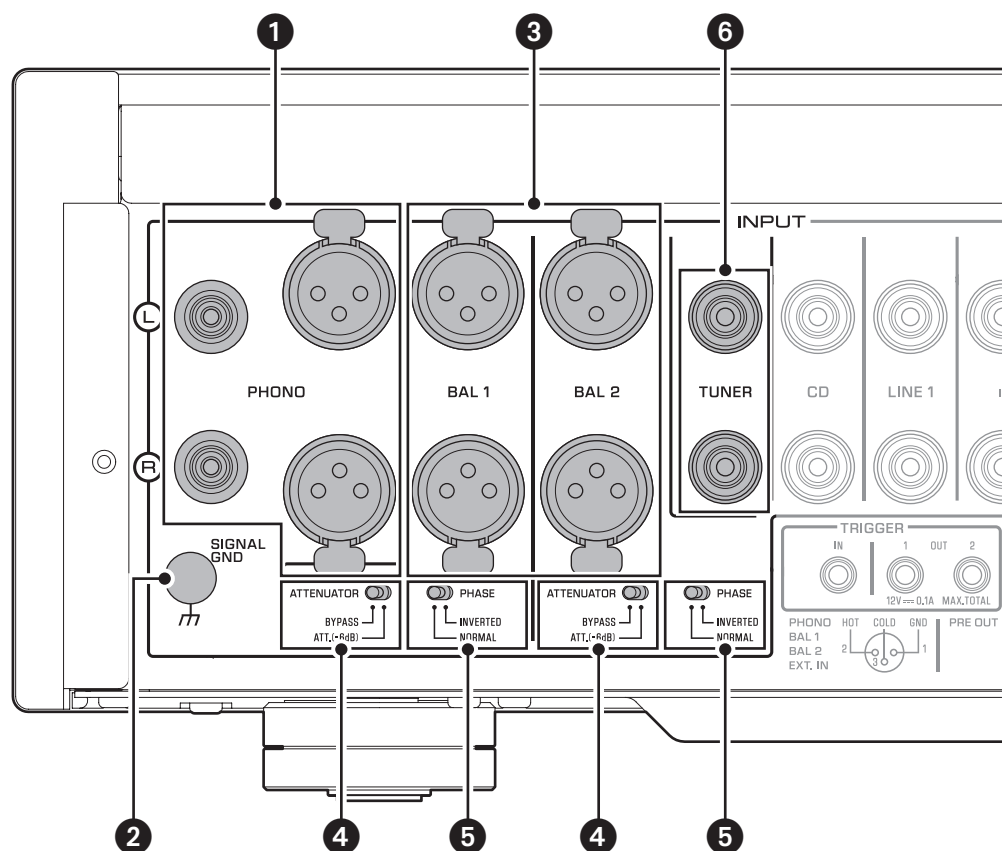
Nota

El control VOLUME no afectará al nivel de volumen si EXT. DIRECT está seleccionado como la fuente de entrada. Para ajustar el nivel de volumen, utilice el control de volumen del preamplificador externo o de otro componente conectado a los jacks EXT. IN.

16 Patas

Si la unidad no está estable, ajuste la altura de las patas según sea necesario girándolas.

Panel trasero



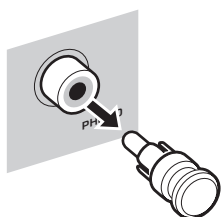
Nota

Para obtener información acerca del procedimiento de conexión, consulte “Conexiones” (página 219).

1 Jacks PHONO

Jacks de tipo RCA y XLR. Si el selector INPUT se ha establecido en PHONO, las señales en los jacks PHONO de tipo RCA serán la fuente de entrada. Si el selector INPUT se ha establecido en PHONO BAL, las señales en los jacks PHONO de tipo XLR serán la fuente de entrada.

El preamplificador incluye una clavija de cortocircuito instalada en cada jack de entrada PHONO de tipo RCA. Si tiene previsto conectar un componente externo a estos jacks, retire las clavijas de cortocircuito. Para obtener más información, consulte “Conexión de un giradiscos” (página 222).



ATENCIÓN

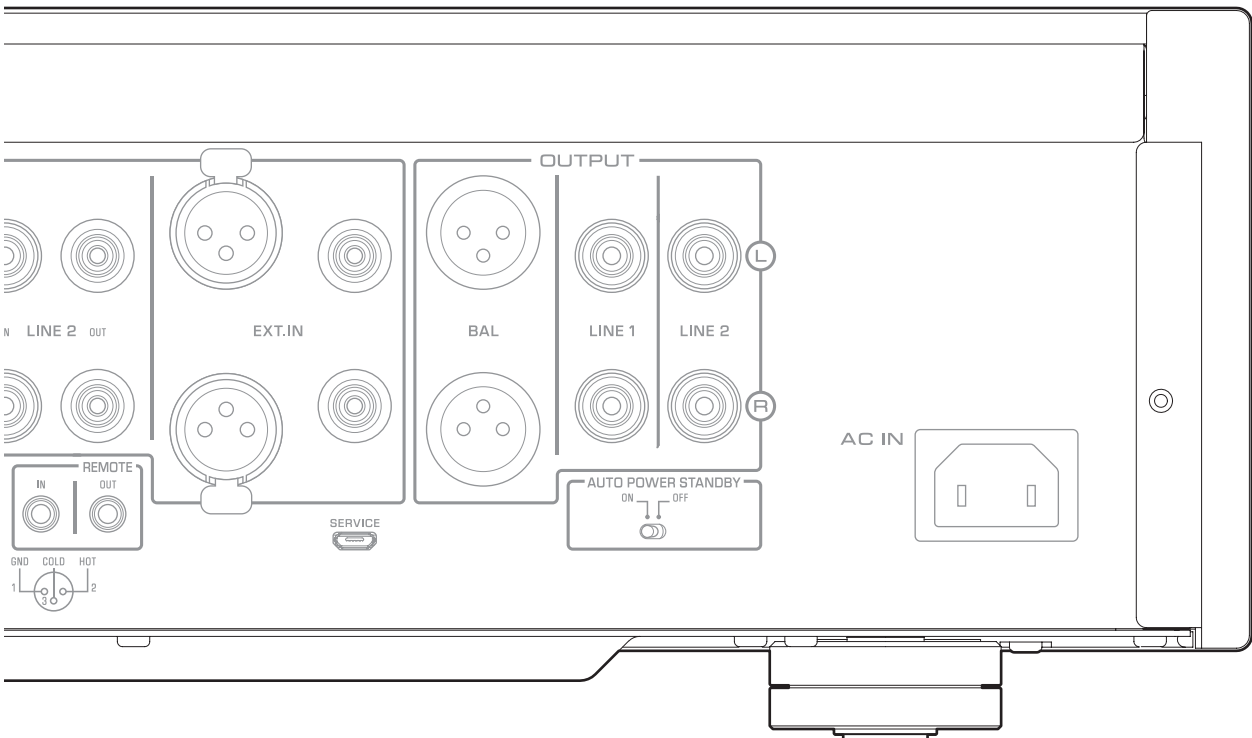
Manipule las clavijas de cortocircuito con cuidado. No permita que los niños jueguen con la clavija de cortocircuito; de lo contrario, podrían ingerirla.

AVISO

- Las clavijas de cortocircuito están pensadas SOLO PARA ENTRADAS sin usar; si se utilizan en SALIDAS se pueden producir daños graves en los componentes.
- Si no tiene previsto utilizar los jacks de entrada PHONO de tipo RCA, inserte las clavijas de cortocircuito en los jacks para evitar la estática o el ruido aleatorios debido a la degradación de la señal de audio.

2 Terminal SIGNAL GND (tierra)

Si conecta el giradiscos a los jacks de entrada PHONO de tipo RCA, conecte también el giradiscos a este terminal. Este operación puede reducir el ruido.



3 Jacks BAL 1/BAL 2

Se trata de dos juegos de jacks de entrada balanceada de tipo XLR. Si el selector INPUT se ha establecido en BAL 1 o BAL 2, las señales en los jacks XLR correspondientes serán la fuente de entrada.

Nota

Establezca el selector ATTENUATOR y el selector PHASE según correspondan para los componentes de reproducción que están conectados a la unidad.

4 Selector ATTENUATOR

Le permite establecer el nivel de entrada permitido para los jacks de entrada balanceada de tipo XLR (jacks BAL 1 y BAL 2). Para obtener más información, consulte “Ajuste del nivel de volumen” (página 230).

BYPASS: el nivel de entrada permitido no cambiará. Por lo general se debe seleccionar esta opción.

ATT. (-6 dB): la ganancia de entrada se reducirá en 6 dB para elevar el nivel de entrada permitido. Seleccione esta opción si la salida de audio desde el componente conectado suena distorsionada.

5 Selector PHASE

Especifica la posición del contacto con corriente para los jacks de entrada balanceada de tipo XLR (jacks BAL 1 y BAL 2).

NORMAL: se especifica que el contacto n.º 2 tiene corriente.

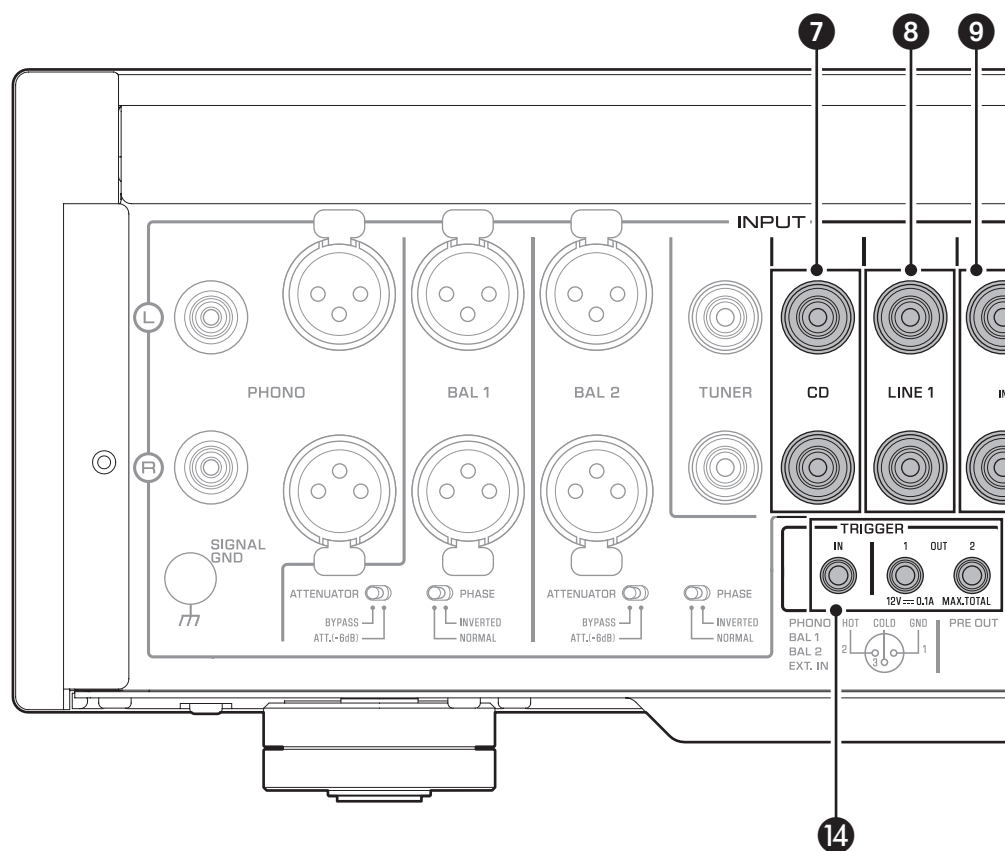
INV.: se especifica que el contacto n.º 3 tiene corriente.

Para obtener más información, consulte “Conexiones balanceadas y no balanceadas” (página 214).

6 Jacks TUNER

Se trata de jacks de entrada RCA. Si el selector INPUT se ha establecido en TUNER, las señales en estos jacks serán la fuente de entrada. Conecte el sintonizador aquí.

Panel trasero



7 Jacks CD

Se trata de jacks de entrada RCA. Si el selector INPUT se ha establecido en CD, las señales en estos jacks serán la fuente de entrada. Conecte el reproductor de CD aquí.

8 Jacks LINE 1

Se trata de jacks de entrada RCA. Si el selector INPUT se ha establecido en LINE 1, las señales en estos jacks serán la fuente de entrada.

9 Jacks LINE 2 IN

Se trata de jacks de entrada RCA. Si el selector INPUT se ha establecido en LINE 2, estos jacks serán la fuente de entrada.

10 Jacks LINE 2 OUT (grabación)

Se trata de jacks de entrada RCA para grabación. Estos jacks suelen emitir las señales de fuente de entrada seleccionadas mediante el panel delantero o el mando a distancia. Para obtener información acerca del procedimiento de conexión, consulte “Conexión de un componente de grabación” (página 222).

Nota

- Conecte los jacks LINE 2 IN y los jacks LINE 2 OUT (grabación) al mismo componente.
- Los jacks LINE 2 OUT (grabación) no emitirán señales si el selector INPUT se ha establecido en LINE 2 o el interruptor EXT. DIRECT está pulsado.

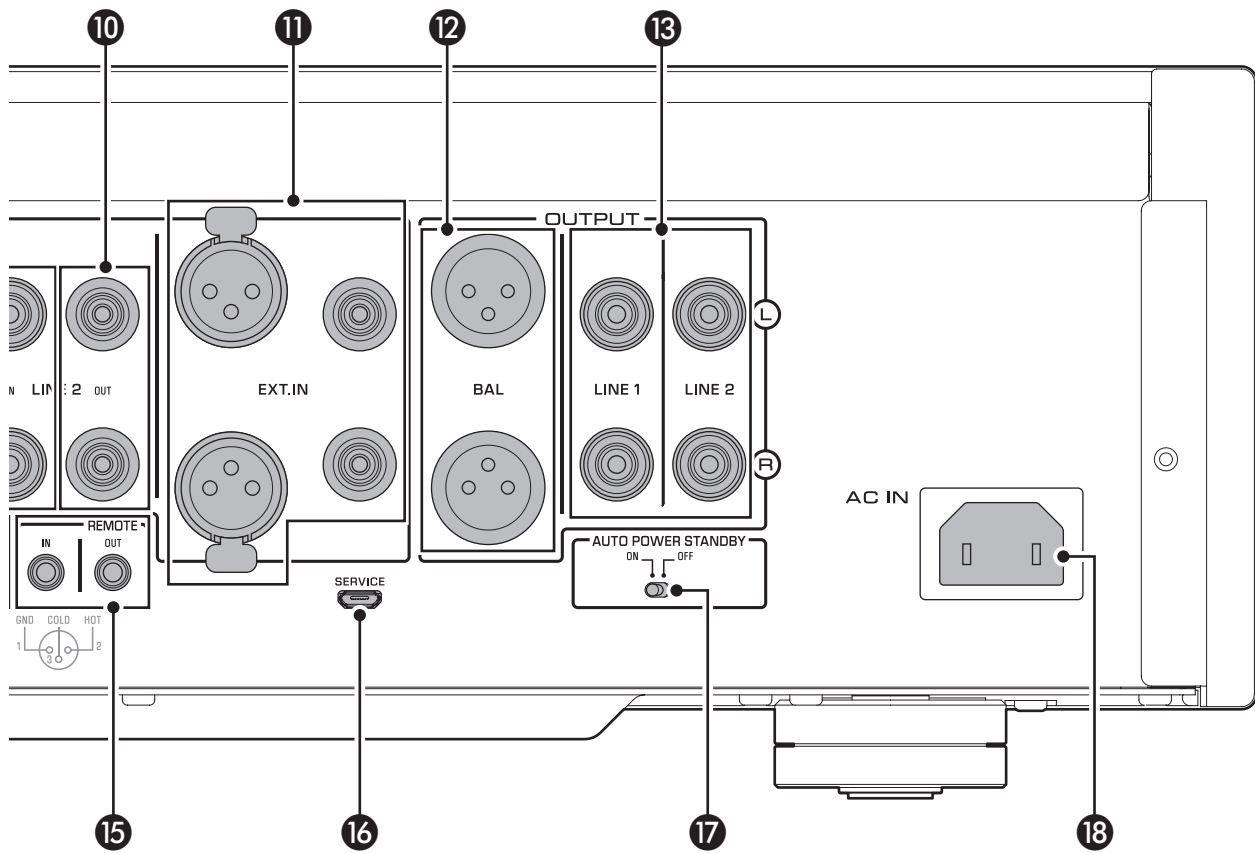
11 Jacks EXT.IN

Estos jacks presentan jacks de entrada de tipo XLR y jacks de entrada RCA. Si el interruptor EXT. DIRECT está pulsado, las señales en estos jacks serán la fuente de entrada. Conecte el preamplificador aquí. Para obtener más información, consulte “Conexión de otro preamplificador” (página 223).



ATENCIÓN

No puede ajustar el nivel de volumen de la entrada de señales en los jacks EXT. IN. Por lo tanto, asegúrese de conectar a los jacks EXT. IN un componente que disponga de control de volumen.



Nota

El nivel de volumen es fijo. Al manipular el control VOLUME o el selector GAIN en esta unidad no cambiará el nivel de volumen de la señal procedente de los jacks EXT. IN. Ajuste el nivel de volumen con el control de volumen del componente conectado a los jacks EXT. IN.

12 Jacks BAL

Se trata de jacks de salida de tipo XLR. Conecte estos jacks a los jacks de entrada balanceada en el amplificador de potencia.

13 Jacks LINE 1/LINE 2

Se trata de jacks de salida RCA. Conecte estos jacks a los jacks de entrada RCA en el amplificador de potencia.

14 Jacks TRIGGER IN/TRIGGER OUT

Se trata de mini jacks monaurales. Conecte componentes externos compatibles con la función de disparo aquí. Para obtener más información, consulte “Conexiones de activación” (página 224).

15 Jacks REMOTE IN/REMOTE OUT

Se trata de mini jacks monaurales. Conecte componentes externos compatibles con la función remota aquí. Para obtener más información, consulte “Conexiones remotas” (página 225).

16 Jack SERVICE

Este jack se utiliza para realizar reparaciones del producto. Casi nunca se usa.

17 Interruptor AUTO POWER STANDBY

Especifica si la unidad pasa automáticamente al modo de espera.

ON: la unidad pasa automáticamente al modo de espera si está encendida pero no se utiliza durante ocho horas.

OFF: la unidad no pasa automáticamente al modo de espera.

18 Jack AC IN

Conecte el cable de alimentación suministrado aquí. Para obtener más información, consulte “Conexión del cable de alimentación” (página 226).

Conexiones balanceadas y no balanceadas

Esta unidad presenta jacks balanceados de tipo XLR y jacks de entrada no balanceada de tipo RCA.

Nota

No utilice conexiones balanceadas y no balanceadas entre dos componentes simultáneamente. Si lo hace se creará un bucle a tierra que podría generar estática y ruido.

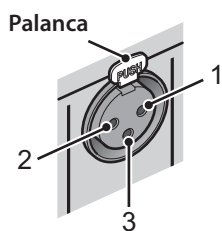
Conexión balanceada

Una conexión balanceada está diseñada para cancelar y evitar el ruido no deseado. Debido a que los cables más largos tienden a captar más ruido, una conexión balanceada es útil si necesita utilizar cables más largos. Por lo general, si los componentes presentan salidas balanceadas, debería utilizar conexiones balanceadas.

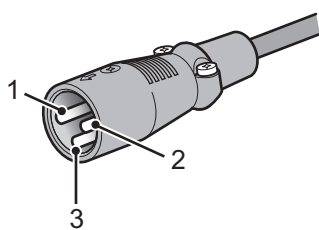
Jacks para conexiones balanceadas

Los jacks de tipo XLR en esta unidad se utilizan para conexiones balanceadas. Los jacks de entrada y salida utilizan diseños distintos. Los jacks de entrada son hembra, y los jacks de salida son macho. Para conexiones balanceadas, se utilizan cables balanceados con conectores XLR. Conecte un conector macho en el cable a un jack hembra en la unidad y conecte un conector hembra a un jack macho en la unidad.

Jack XLR (hembra)

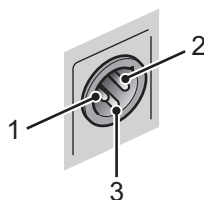


Conector XLR (macho)

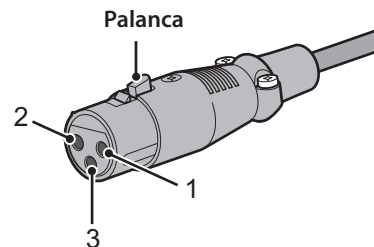


Al conectar un cable a un jack de entrada, asegúrese de alinear los contactos del conector con los orificios del jack y, a continuación, inserte el conector en el jack hasta que oiga un chasquido. Para retirar el cable, mientras mantiene presionada la palanca del jack de entrada en la unidad, extraiga el conector XLR macho del jack.

Jack XLR (macho)



Conector XLR (hembra)



Al conectar un cable a un jack de salida, asegúrese de alinear los orificios del conector con los contactos del jack y, a continuación, inserte el conector en el jack hasta que oiga un chasquido. Para retirar el cable, mientras mantiene presionada la palanca del conector XLR hembra, extráigalo del jack.

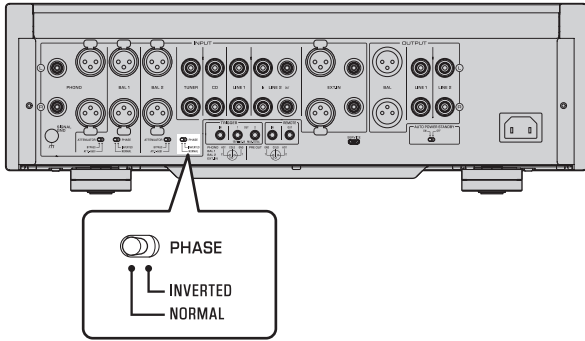
Polaridad de conexión balanceada

Al realizar una conexión balanceada, debe establecer correctamente la polaridad. Por lo general, el contacto n.º 2 tiene corriente, pero a veces el contacto n.º 3 puede tener corriente. Consulte el manual del propietario del componente conectado para averiguar qué contacto del jack de salida tiene corriente.

Para establecer la polaridad de los contactos de los jacks de entrada BAL 1 y BAL 2, utilice el selector PHASE del panel trasero.

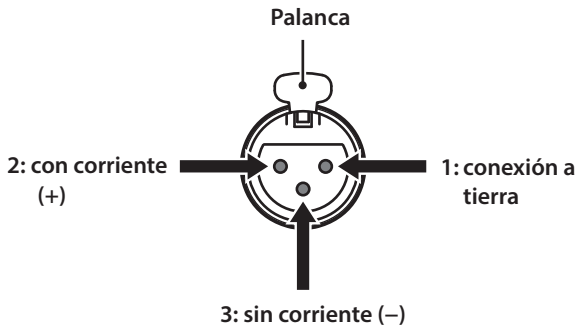
Nota

- Los jacks PHONO y EXT. IN no presentan un interruptor PHASE. La polaridad de contacto de estos jacks es estándar y fija.
- El contacto n.º 2 tiene corriente en los reproductores Yamaha.



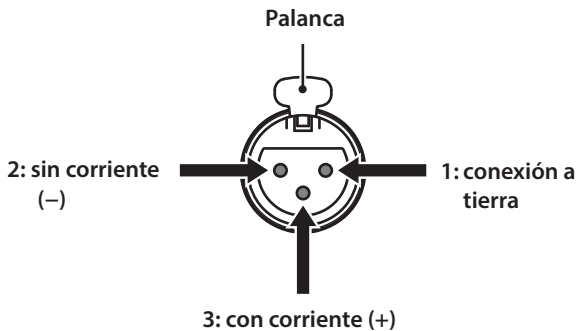
Si el selector PHASE se establece en NORMAL, el contacto n.º 2 recibe corriente.

Jack de entrada de tipo XLR

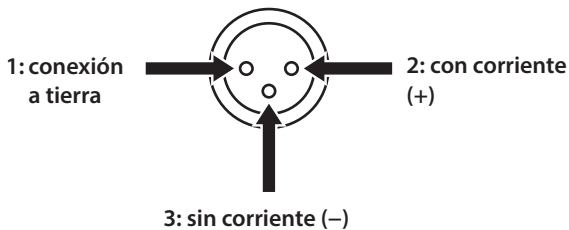


Si el selector PHASE se establece en INVERTED, el contacto n.º 3 recibe corriente.

Jack de entrada de tipo XLR

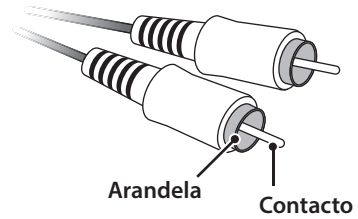


Jack de salida de tipo XLR

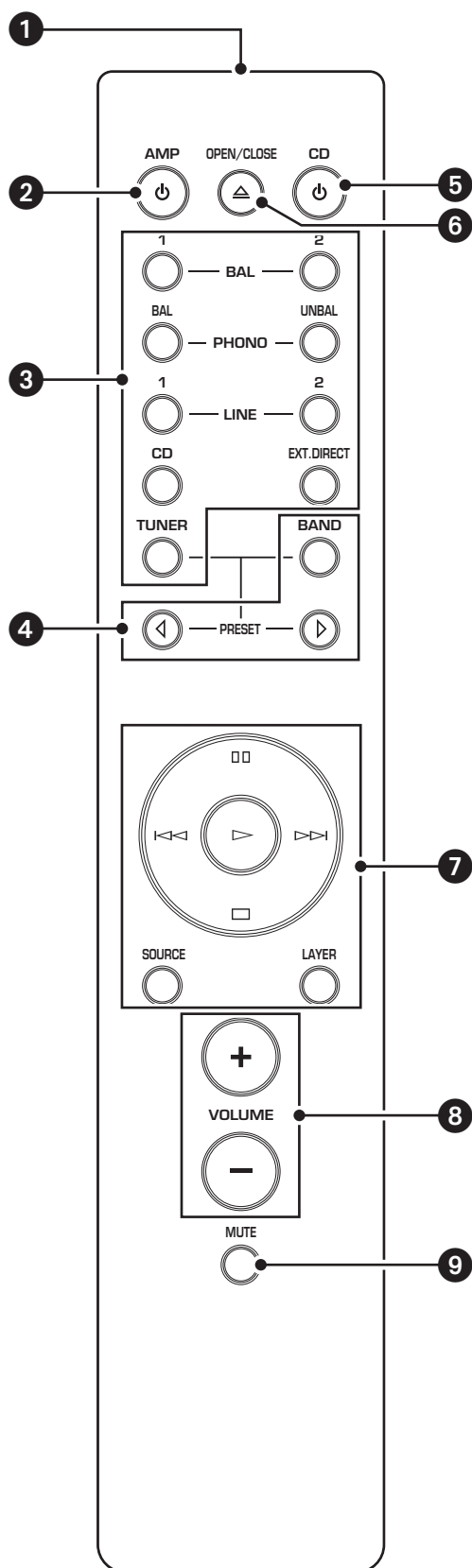


Conexión no balanceada

Si va a conectar un componente de audio que solo incluye jacks RCA estándar, utilice los jacks RCA de esta unidad para conexiones no balanceadas. Para conexiones no balanceadas, se deben utilizar cables no balanceados con conectores RCA. Estos jacks y conectores no presentan un diseño de tipo macho o hembra ni diferencias de polaridad.



Mando a distancia



1 Transmisor de señales infrarrojas

Emite señales infrarrojas de control hacia la unidad.

2 Tecla AMP

Enciende la alimentación de la unidad o cambia al modo de espera. Para obtener más información sobre el modo de espera, consulte “Panel delantero” (página 206).

3 Teclas de selección de entrada

Permiten seleccionar la fuente de entrada que se va a reproducir.

BAL: selecciona el componente conectado a los jacks BAL 1 o BAL 2 de tipo XLR como la fuente de entrada.

PHONO: selecciona el giradiscos conectado a los jacks PHONO (tipo XLR o RCA) como la fuente de entrada. Pulse la tecla BAL para seleccionar la fuente en los jacks de tipo XLR, o bien la tecla UNBAL para seleccionar la fuente en los jacks RCA.

LINE: selecciona el componente conectado a los jacks LINE 1 o LINE 2 de tipo RCA como la fuente de entrada.

EXT. DIRECT: selecciona el componente conectado a los jacks EXT. IN como la fuente de entrada. Si se selecciona EXT. DIRECT como la fuente de entrada, no se emitirán señales de audio por los jacks LINE 2 OUT o PHONES.



CD: selecciona el componente (normalmente un reproductor de CD) conectado a los jacks CD de tipo RCA como la fuente de entrada.

TUNER: selecciona el componente (normalmente un sintonizador) conectado a los jacks TUNER de tipo RCA como la fuente de entrada.

Nota

Las señales de audio de la fuente de entrada seleccionada no se emitirán por los jacks LINE 2 OUT (grabación). Si se selecciona LINE 2 como la fuente de entrada, no se emitirán señales de audio por los jacks LINE 2 OUT (grabación).

4 Teclas de control del sintonizador

Le permiten controlar las funciones del sintonizador Yamaha conectado. Utilice la tecla BAND para cambiar la banda de recepción y las teclas PRESET   para seleccionar una emisora presintonizada. Para obtener más información, consulte el manual del propietario del sintonizador.

Nota

Es posible que algunos modelos de sintonizador Yamaha no sean compatibles con estas funciones de teclas.



5 Tecla CD

Enciende la alimentación de un reproductor de CD Yamaha conectado o lo cambia al modo de espera.

6 Tecla OPEN/CLOSE

Abre o cierra la bandeja del disco de un reproductor de CD Yamaha conectado. Para obtener más información, consulte el manual del propietario de su reproductor de CD.

Nota

Es posible que algunos modelos de reproductor de CD Yamaha no sean compatibles con las funciones de la tecla  CD o de las teclas  OPEN/CLOSE.



7 Teclas de control del reproductor de CD

Le permiten controlar las funciones de un reproductor de CD Yamaha conectado. Para obtener más información, consulte el manual del propietario de su reproductor de CD.

(reproducción)

Inicia la reproducción.

(pausa)

Hace una pausa en la reproducción. Pulse  o  para reanudar la reproducción.

(parada)

Detiene la reproducción.

(saltar)

Salta a la siguiente pista o vuelve al principio de la pista actual.

Tecla SOURCE

Selecciona la fuente que se va a reproducir en el reproductor de CD Yamaha. La fuente de reproducción cambia cada vez que se pulsa esta tecla.

Tecla LAYER

Alternar la capa de reproducción de un Super Audio CD híbrido entre “Super audio CD” y “CD”.

Nota

Es posible que algunos modelos de reproductor de CD Yamaha no sean compatibles con estas funciones de teclas.

8 Teclas VOLUME +/-

Ajuste el nivel del volumen.

Nota

Las teclas VOLUME +/- en el mando a distancia no afectarán al nivel de volumen si EXT. DIRECT está seleccionado como la fuente de entrada. Para ajustar el nivel de volumen, utilice el control de volumen del amplificador externo conectado a los jacks EXT. IN.

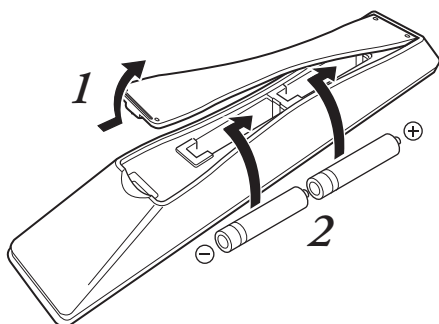
9 Tecla MUTE

Reduce el nivel de volumen actual en aproximadamente 20 dB. Pulse la tecla de nuevo para reponer la salida de audio al nivel de volumen anterior. Al pulsar la tecla VOLUME + o - en el mando a distancia también se cancelará el silencio.

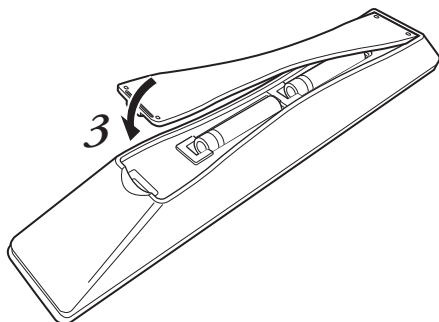
Instalación de las pilas en el mando a distancia

1 Retire la tapa del compartimento de las pilas.

2 Introduzca las dos pilas (AAA, R03, UM-4) teniendo en cuenta las marcas de polaridad (+ y -) del interior del compartimento de las pilas.



3 Vuelva a colocar la tapa del compartimento de las pilas.



ADVERTENCIA

- No tire las pilas al fuego ni las exponga a temperaturas altas, como la luz solar directa o llamas abiertas. De lo contrario, la pila podría explotar y provocar un incendio o lesiones.
- No intente recargar las pilas no recargables. De lo contrario, las pilas podrían explotar o presentar fugas y provocar ceguera, quemaduras químicas o lesiones.
- Si una pila presenta fugas, no toque el líquido. De lo contrario, se puede producir ceguera o quemaduras químicas. Si sus ojos, boca o piel entran en contacto con el líquido, lave a fondo y de inmediato la zona con agua y busque atención médica.



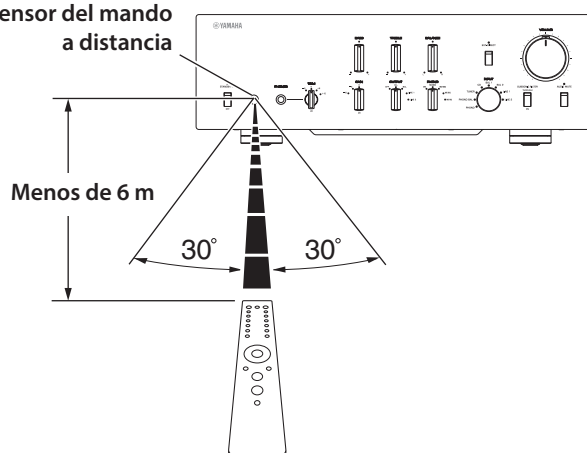
ATENCIÓN

- No utilice nuevas y antiguas al mismo tiempo. De lo contrario, podrían producirse incendios, quemaduras o irritaciones debido a la fuga de líquido de las pilas.
- No utilice dos tipos distintos de pilas al mismo tiempo. Por ejemplo, si utiliza una pila alcalina y una de manganeso juntas, o dos pilas de dos fabricantes distintos o con números de producto distintos al mismo tiempo, pueden producirse incendios, quemaduras o irritaciones en la piel debido a la fuga de líquido de las pilas.
- Mantenga las pilas fuera del alcance de los niños. De lo contrario, un niño podría ingerir la pila por accidente. Además, las fugas de las pilas pueden provocar irritaciones en la piel.
- Inserte las dos pilas siguiendo las marcas de polaridad (+ y -). De lo contrario, podrían producirse incendios, quemaduras o irritaciones en la piel debido a la fuga de líquido de las pilas.
- Si no tiene previsto utilizar el mando a distancia durante un periodo prolongado, o si las pilas se han agotado por completo, extráigalas del mando a distancia. De lo contrario, todas las pilas acabarán por agotarse y podrían tener fugas, lo que provocaría irritación en la piel y daños en el mando a distancia.

Control del mando a distancia

Para utilizar el mando a distancia, dirijalo directamente hacia el sensor del mando a distancia situado en el panel delantero de la unidad.

Sensor del mando a distancia



Conexiones

En esta sección se describe cómo conectar la unidad a una fuente de audio, como un sintonizador o un reproductor de CD, y a un amplificador de potencia.



ATENCIÓN

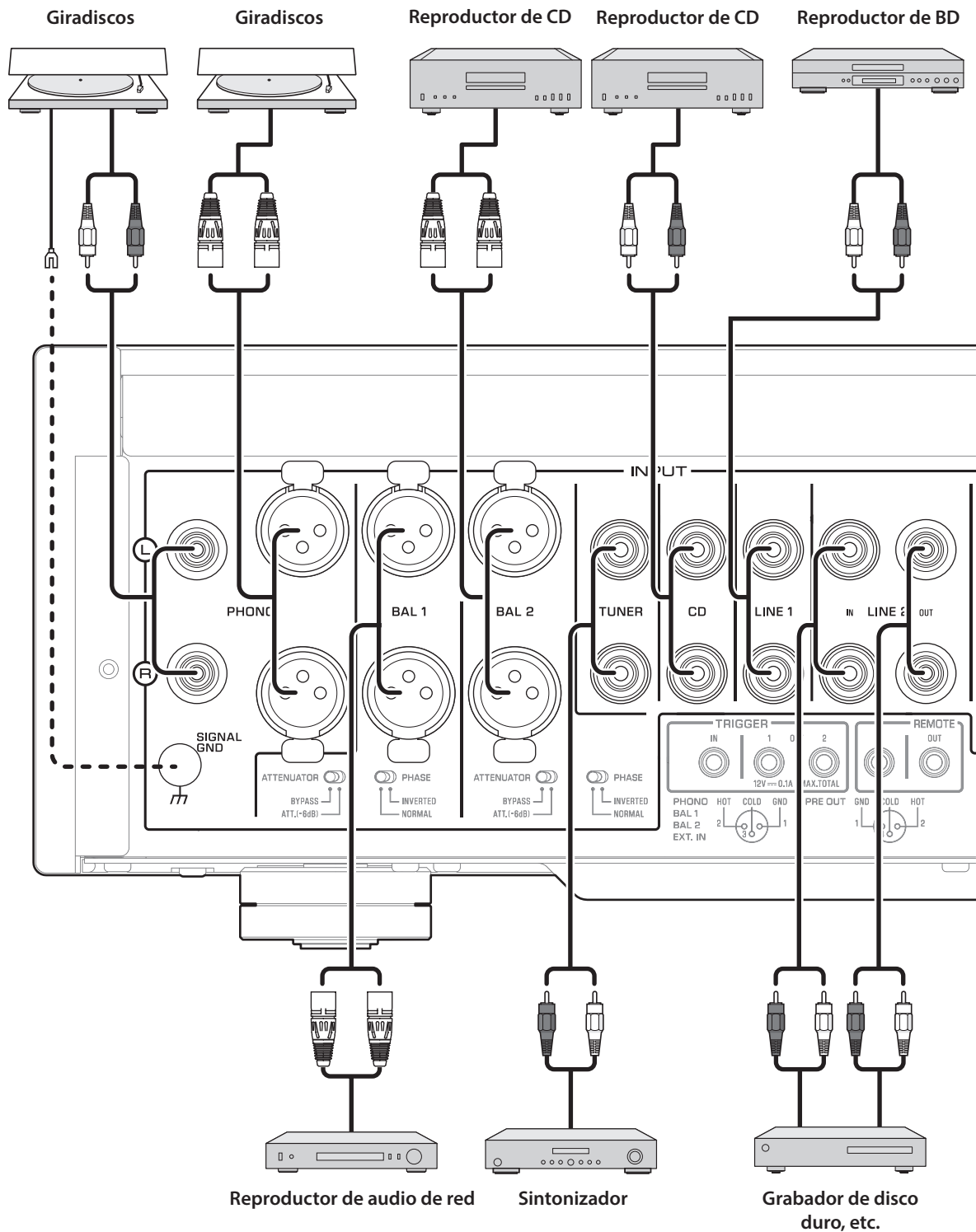
Desactive la alimentación de todos los componentes antes de realizar conexiones.

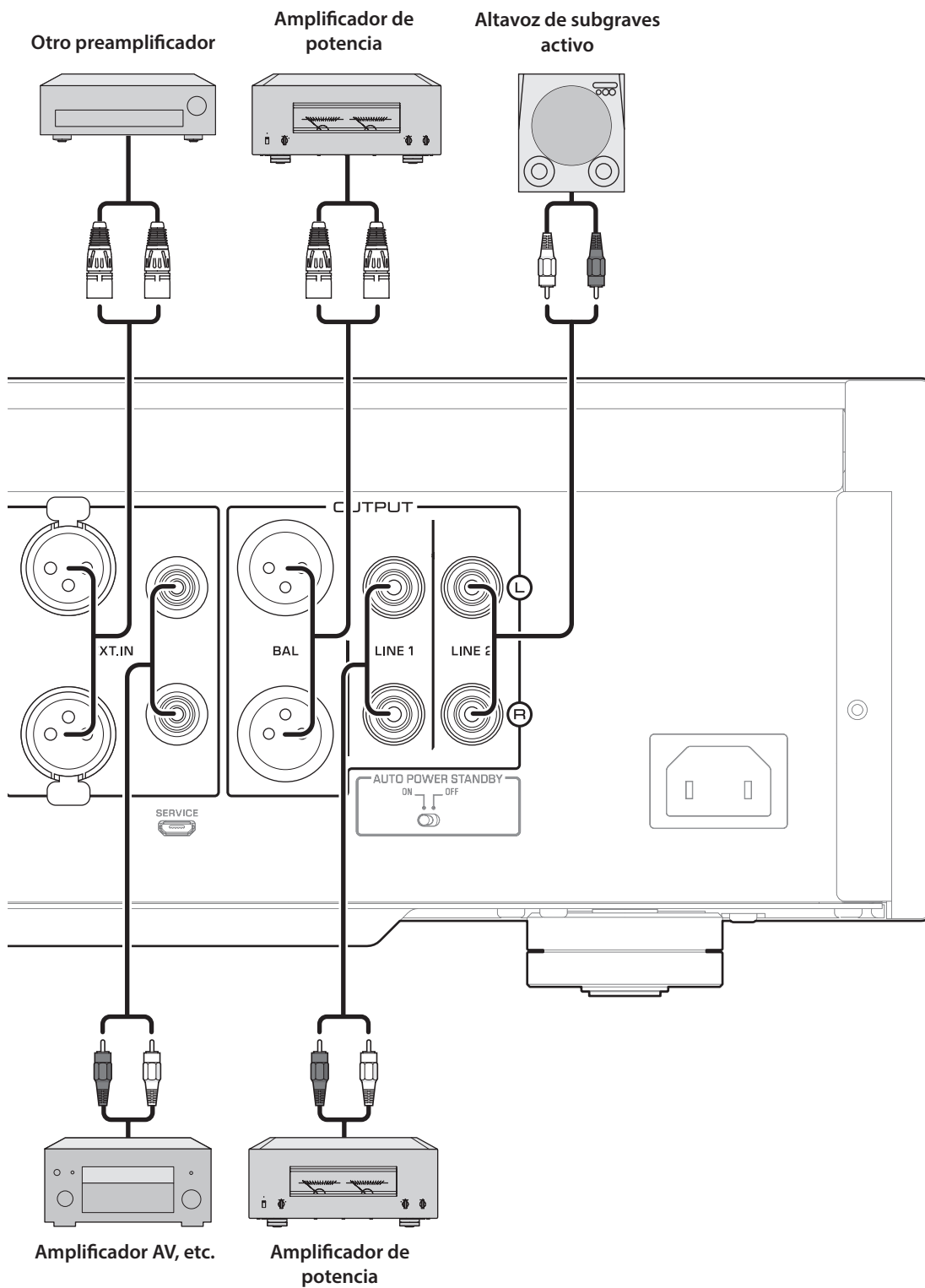
AVISO

- No utilice conexiones balanceadas y no balanceadas entre dos componentes simultáneamente. Si lo hace se creará un bucle a tierra que podría generar estática y ruido.
- Si tiene previsto conectar componentes externos, lea y siga los manuales de instrucciones de dichos componentes. De lo contrario, se pueden producir averías en esta unidad o los componentes externos.

C-5000

Conexión de un componente externo





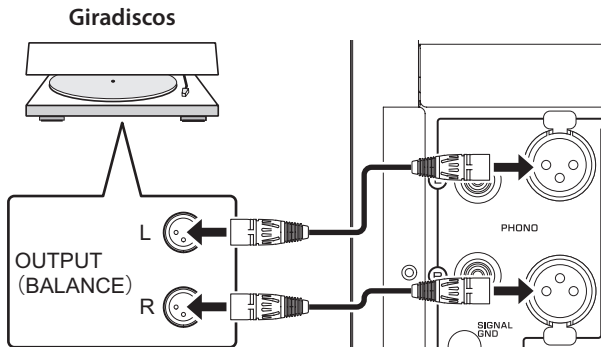
AVISO

No utilice conexiones balanceadas y no balanceadas entre dos componentes simultáneamente. Si lo hace se creará un bucle a tierra que podría generar estática y ruido.

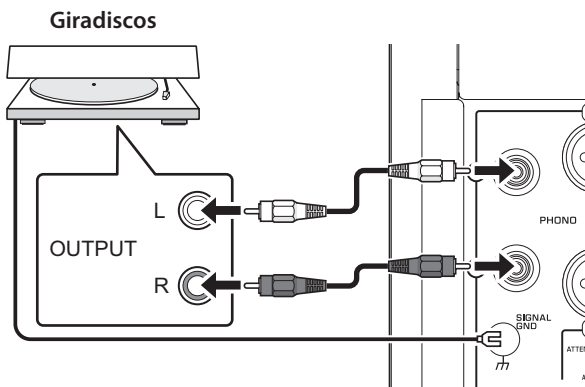
Conexión de un giradiscos

Conecte el giradiscos a los jack PHONO de esta unidad. La unidad proporciona jacks balanceados de tipo XLR y jacks de entrada no balanceada de tipo RCA.

Conexión balanceada



Conexión no balanceada



Nota

Si conecta el giradiscos a los jacks RCA de esta unidad, escuche y compare el sonido con el terminal SIGNAL GND (tierra) conectado y no conectado, y luego seleccione el menos ruidoso.

AVISO

No utilice conexiones balanceadas y no balanceadas entre esta unidad y el giradiscos simultáneamente. Si lo hace se creará un bucle a tierra que podría generar estática y ruido.

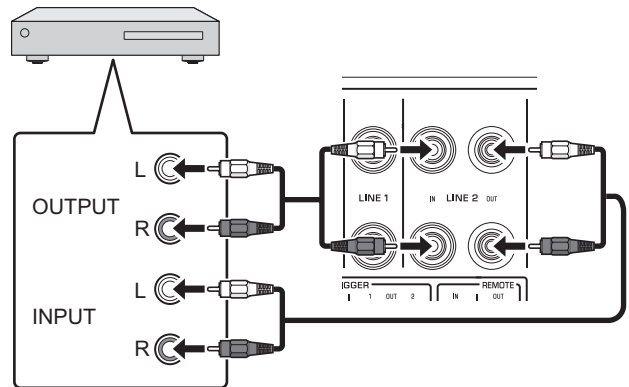
Conexión de un componente de grabación

Puede conectar un dispositivo de grabación, como un grabador de disco duro, a la unidad y grabar la entrada de audio procedente de la unidad. Conecte el componente de grabación a los jacks LINE 2 IN y los jacks LINE 2 OUT (grabación).

Nota

- Asegúrese de conectar los jacks LINE 2 IN y los jacks LINE 2 OUT (grabación) al mismo componente.
- La señal procedente de los jacks LINE 2 OUT (grabación) es básicamente idéntica a la señal de los jacks de salida especificados por el selector OUTPUT. Si el selector INPUT se ha establecido en LINE 2, no se emitirá ninguna señal por los jacks LINE 2 OUT (grabación).

Grabador de disco duro, etc.



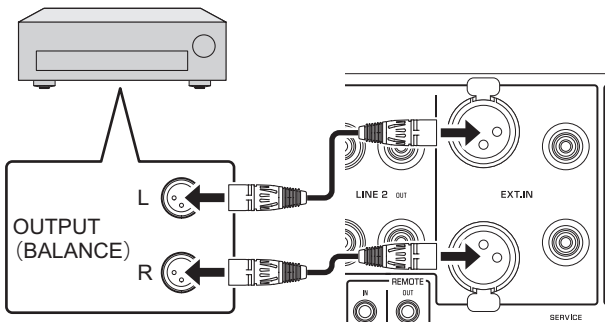
Conexión de otro preamplificador

Si conecta la salida de otro preamplificador a los jacks EXT. IN de esa unidad y pulsa el interruptor EXT. DIRECT, la señal de fuente atravesará la unidad y se emitirá por el amplificador de potencia conectado. La entrada de señal de fuente en los jacks EXT. IN balanceados se emitirá por los jacks BAL balanceados. La entrada de señal de fuente en los jacks EXT. IN no balanceados se emitirá por los jacks LINE 1 y LINE 2.

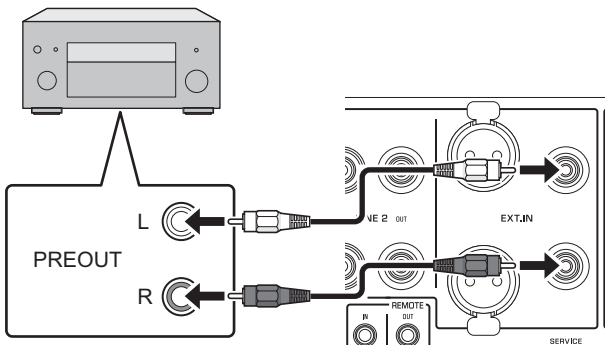
Nota

Si el interruptor EXT. DIRECT está activado, no escuchará ningún sonido procedente de los auriculares conectados al jack PHONES.

Otro preamplificador



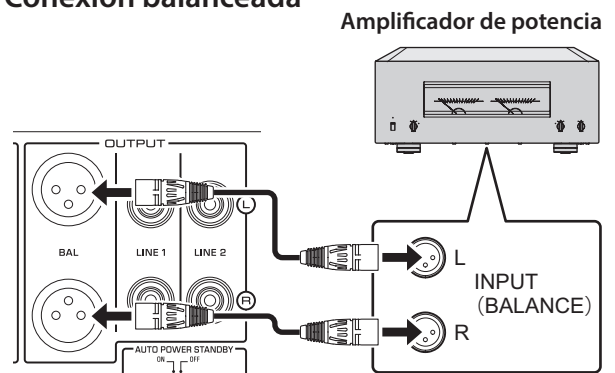
Amplificador AV, etc.



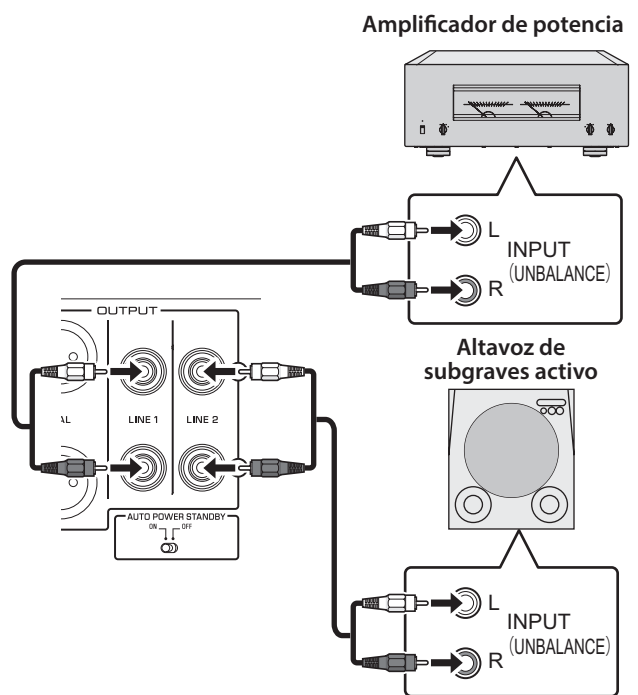
Conexión de un amplificador de potencia y un altavoz de subgraves activo

Puede conectar un amplificador de potencia y un altavoz de subgraves activo a los jacks de salida BAL, LINE 1 o LINE 2 de esta unidad.

Conexión balanceada



Conexión no balanceada



AVISO

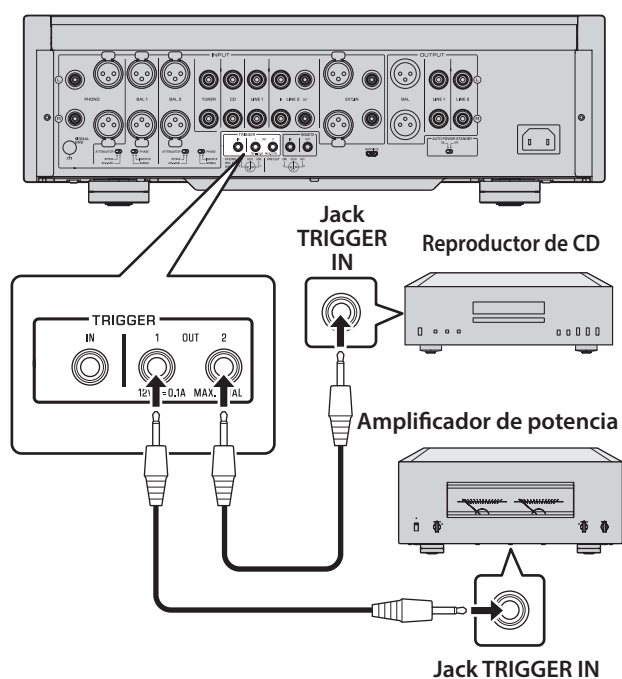
No utilice conexiones balanceadas y no balanceadas entre dos componentes simultáneamente. Si lo hace se creará un bucle a tierra que podría generar estática y ruido.

Conexiones de activación

Control de la operación de encendido y apagado de un componente conectado, como un amplificador de potencia, de manera sincronizada con esta unidad

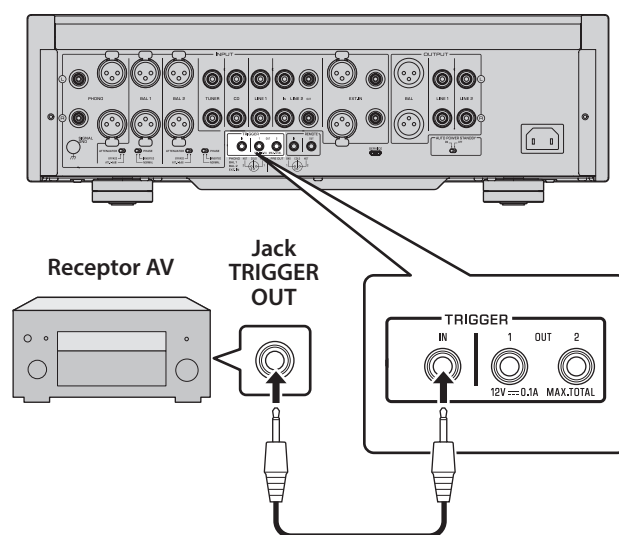
Puede controlar la operación de encendido y apagado de un componente conectado, como un reproductor de CD Yamaha o un amplificador de potencia, de manera sincronizada con esta unidad.

Utilice un cable del sistema para conectar el jack TRIGGER OUT de la unidad al jack TRIGGER IN del componente conectado.



Control de la operación de encendido y apagado de la unidad de manera sincronizada con un componente conectado, como un receptor AV

Puede controlar la operación de encendido y apagado de la unidad de manera sincronizada con un componente conectado, como un receptor AV Yamaha. Utilice un cable del sistema opcional para conectar el jack TRIGGER IN de la unidad al jack TRIGGER OUT del componente conectado. Con la unidad en modo de espera, al activar la alimentación del componente conectado también se activará la unidad, y la señal a los jacks EXT. IN se seleccionará como la fuente de entrada. Al desactivar la alimentación del componente conectado, la unidad pasará al modo de espera.



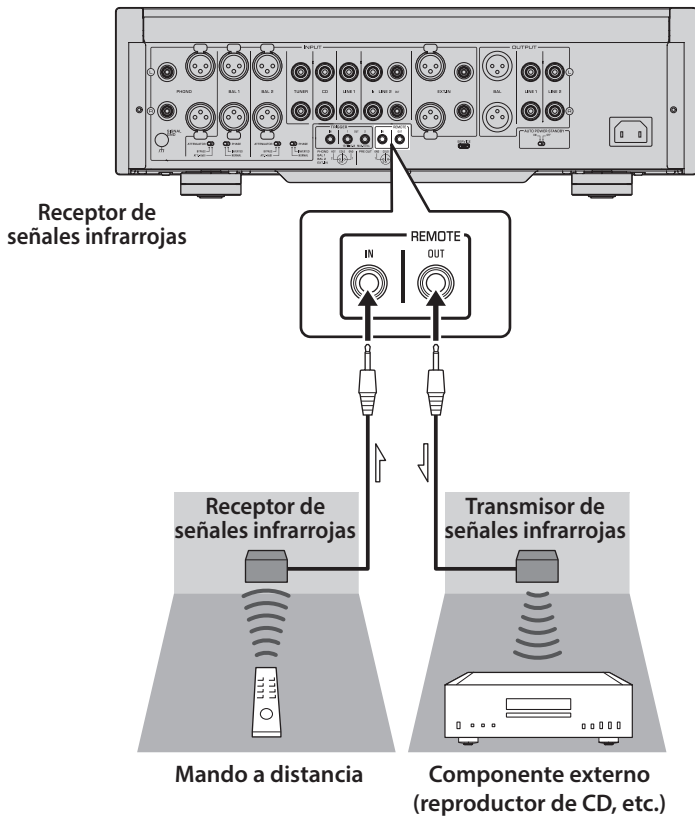
Nota

- Si el interruptor de alimentación de esta unidad está en la posición OFF, no se activará la alimentación de la unidad desde un componente conectado.
- A menos que la fuente de entrada se seleccione con el interruptor EXT. DIRECT, la desactivación del componente conectado no desactivará la alimentación de la unidad.

Conexiones remotas

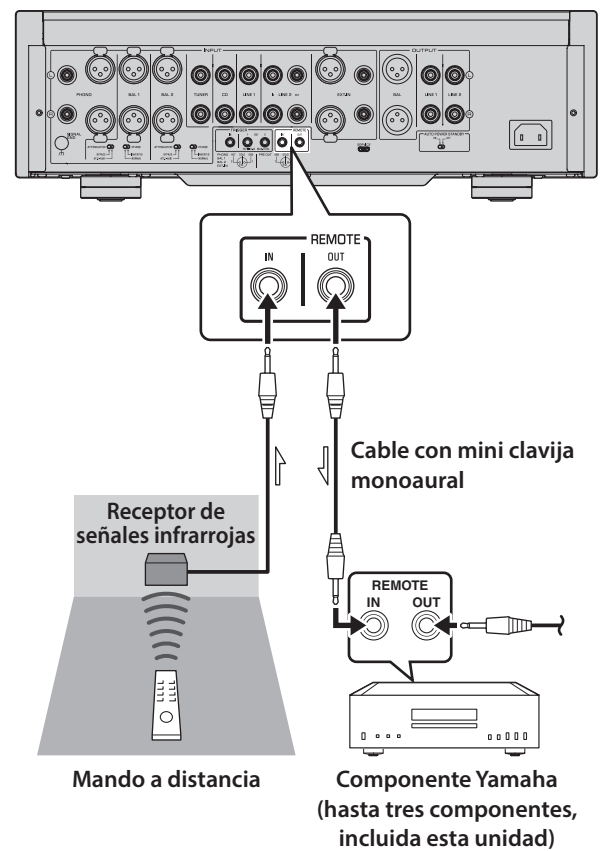
Control de la unidad desde otra habitación

Si conecta un receptor y un transmisor de señales infrarrojas a los jacks REMOTE IN/OUT de la unidad, podrá controlar la unidad o un componente externo desde otra habitación con el mando a distancia suministrado.



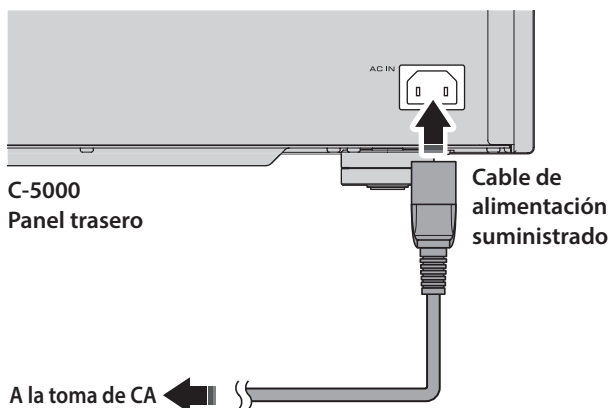
Conexión remota entre componentes Yamaha

Si dispone de otro componente Yamaha compatible con conexiones remotas, como es el caso de esta unidad, no es necesario un transmisor de infrarrojos. Puede transmitir señales remotas conectando un receptor de señales infrarrojas al jack REMOTE IN de la unidad, y el jack REMOTE IN del otro componente al jack REMOTE OUT de la unidad con cables con mini clavija monoaural. Se pueden configurar hasta tres componentes Yamaha (incluida esta unidad) para la conexión remota.



Conexión del cable de alimentación

Una vez realizadas todas las conexiones, asegúrese de que el interruptor STANDBY/ON/OFF (alimentación) está desactivado y, a continuación, enchufe el cable de alimentación al conector AC IN de la unidad y luego enchúfelo a la toma de CA.



ADVERTENCIA

- Si detecta cualquiera de las siguientes condiciones anómalas, desactive la alimentación de la unidad inmediatamente y desconecte el enchufe de alimentación de la toma de CA.
 - El cable o enchufe de alimentación está dañado.
 - La unidad emite olores, ruidos extraños o humo.
 - Se ha derramado líquido o han caído objetos dentro de la unidad.
 - El sonido se silencia repentinamente durante el uso.
 - La unidad está agrietada o dañada.
- De lo contrario, el uso continuado de la unidad podría provocar una descarga eléctrica, un incendio o una avería. Póngase en contacto con su centro de servicio o distribuidor Yamaha más cercano para una revisión o una reparación.
- No toque el cable o enchufe de alimentación durante tormentas eléctricas. De lo contrario, se puede provocar una descarga eléctrica.
 - Asegúrese de utilizar una toma de corriente con la tensión indicada en la etiqueta de la unidad. Si la unidad se enchufa a una toma con una tensión incorrecta, se puede producir un incendio, una descarga eléctrica o una avería.
 - Utilice únicamente el cable de alimentación suministrado. No utilice el cable de alimentación suministrado para otros dispositivos. De lo contrario, se puede provocar un incendio, fuego o una avería.
 - Enchufe la unidad a una toma de CA claramente visible y que se pueda alcanzar con facilidad, para que pueda desenchufar la unidad con rapidez y facilidad de la toma de CA en caso de emergencia. Aunque el interruptor de alimentación esté desactivado, una cantidad mínima de corriente eléctrica sigue fluyendo hacia la unidad, a menos que la desenchufe de la toma de CA.

- Si se acerca una tormenta eléctrica, desactive la alimentación de la unidad inmediatamente y desconecte el enchufe de alimentación de la toma de CA. De lo contrario, se puede provocar un incendio o una avería.
- Si no va a utilizar la unidad durante un periodo prolongado, asegúrese de desenchufar el enchufe de alimentación de la toma de CA. De lo contrario, se puede provocar un incendio o una avería.



ATENCIÓN

- No utilice una toma de CA si está tan floja que el enchufe no se sujeta con firmeza. De lo contrario, se puede provocar un incendio, una descarga eléctrica o fuego.
- Al desconectar el cable de alimentación de la toma de CA, sujete el enchufe; no tire del propio cable. De lo contrario, el cable de alimentación podría resultar dañado, lo que provocará una descarga eléctrica o un incendio.
- Inserte el enchufe de alimentación en la toma de CA firmemente hasta el fondo. Si el enchufe no se inserta completamente, el uso de la unidad puede provocar una descarga eléctrica. También se puede acumular polvo en el enchufe, lo que podría provocar un incendio o fuego.

AVISO

Si no va a utilizar la unidad durante un periodo prolongado, asegúrese de desenchufar el enchufe de alimentación de la toma de CA. Aunque el interruptor STANDBY/ON/OFF esté desactivado (el indicador de alimentación está oscuro), una cantidad mínima de corriente eléctrica sigue fluyendo hacia la unidad.

Operaciones

En esta sección se describen los procedimientos básicos de funcionamiento.
Puede seguir estos procedimientos para aprovechar las funciones de la unidad.
Estos procedimientos se proporcionan simplemente como ejemplos.

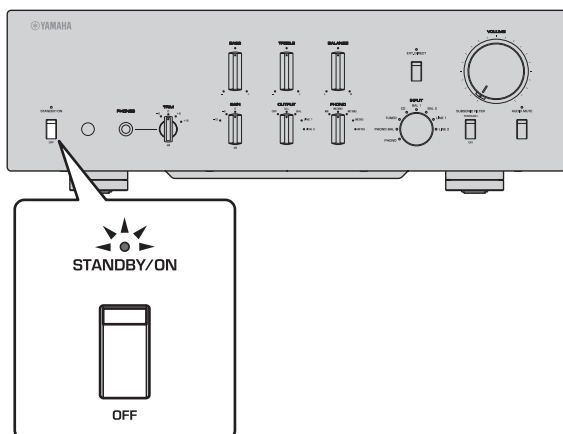
Encendido de la unidad



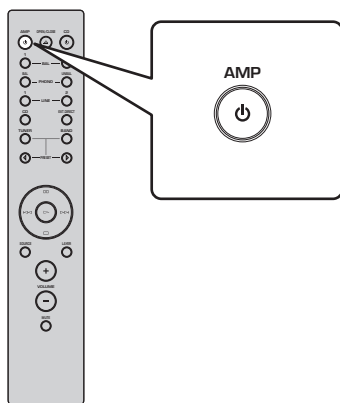
ATENCIÓN

Asegúrese de bajar el nivel de volumen al mínimo antes de activar la alimentación.

Active la alimentación estableciendo el interruptor STANDBY/ON/OFF (alimentación) en el panel delantero en STANDBY/ON.



Si la unidad está en modo de espera, también puede activar la alimentación con el mando a distancia.



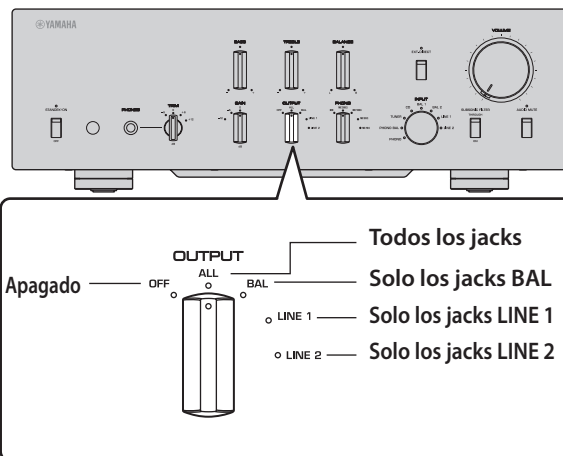
AVISO

Active la alimentación de todos los componentes en la secuencia siguiente: amplificador de potencia, preamplificador (esta unidad), otros componentes (como un reproductor de CD y un sintonizador).

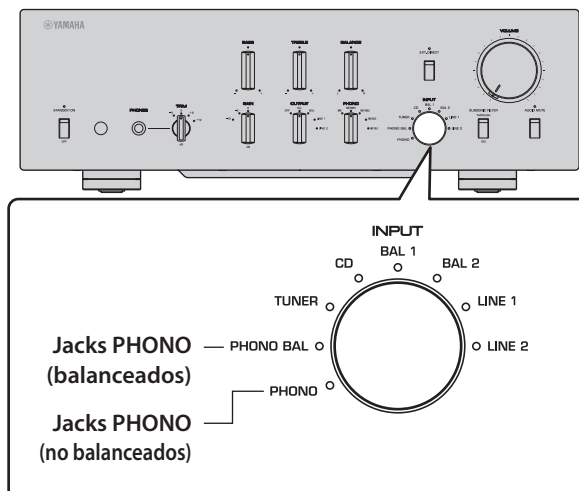
Invierta esta secuencia al desactivar la alimentación.

Selección de la entrada y la salida

Seleccione una pareja de jacks de salida con el selector OUTPUT.

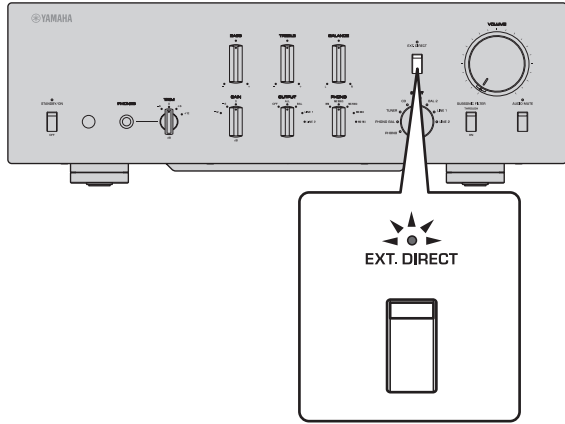


Seleccione la fuente de audio con el selector INPUT.



Los indicadores correspondientes se iluminarán.

Selección de la entrada desde los jacks EXT.IN



Pulse el interruptor EXT. DIRECT. El indicador EXT. DIRECT se iluminará. El ajuste del selector INPUT se desactivará, y la entrada de fuente de audio desde los jacks EXT. IN se emitirá por una pareja de los jacks de salida. La entrada de señal de fuente en los jacks de entrada balanceada se emitirá por los jacks de salida BAL balanceada. La entrada de señal de fuente en los jacks de entrada LINE se emitirá por los jacks de salida LINE 1 y LINE 2.

Si pulsa el interruptor EXT. DIRECT de nuevo o gira el selector INPUT, la señal especificada por el selector INPUT se convertirá en la fuente de entrada. El indicador EXT. DIRECT se apagará.

Nota

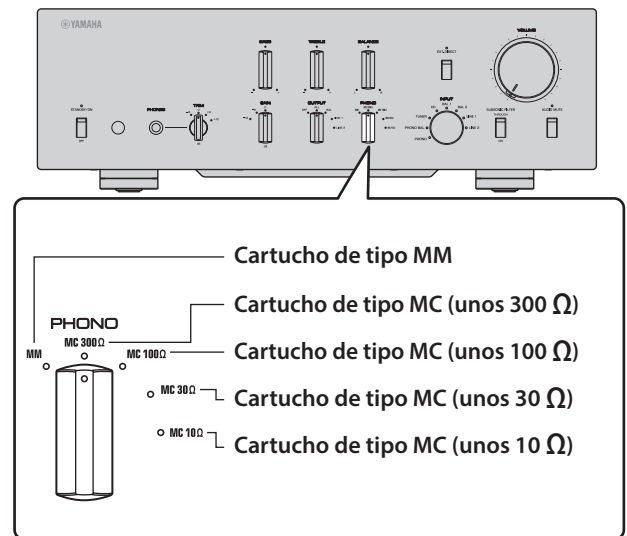
Si se selecciona EXT. DIRECT, no se emitirá ninguna señal por los jacks LINE 2 OUT (grabación) ni por el jack PHONES.

Selección del ajuste de entrada del giradiscos

Selector PHONO

Ajuste el selector PHONO en función del cartucho del giradiscos.

Opciones para cartucho del giradiscos



⚠ ATENCIÓN

Si se utiliza un cartucho de tipo MM en el giradiscos, asegúrese de establecer el selector PHONO en MM.

Nota

Las etiquetas de impedancia en el selector PHONO indican valores aproximados. Escuche y compruebe el sonido con distintos ajustes de impedancia para seleccionar la opción más adecuada.

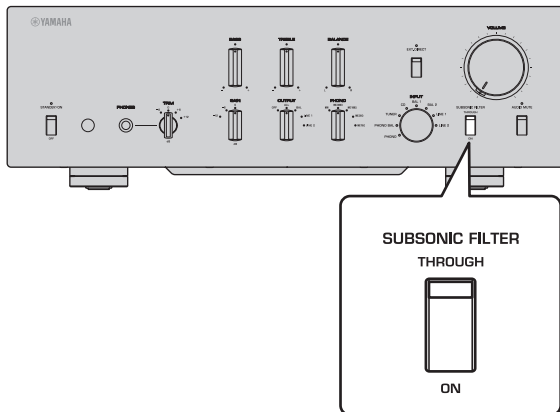
AVISO

Antes de sustituir el cartucho, asegúrese de apagar la alimentación de esta unidad.

Filtro subsónico

Active el interruptor SUBSONIC FILTER para aplicar el filtro subsónico, en caso necesario.

Un brazo fonocaptor de giradiscos resonante o un disco de vinilo combado pueden provocar una reverberación de frecuencia muy baja (ruido subsónico) que podría aplicar carga y daños a los altavoces. Un filtro subsónico cortará dicho ruido para proteger los altavoces.

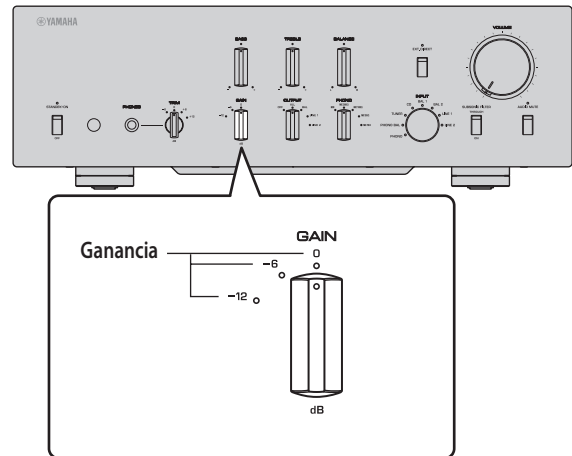


Nota

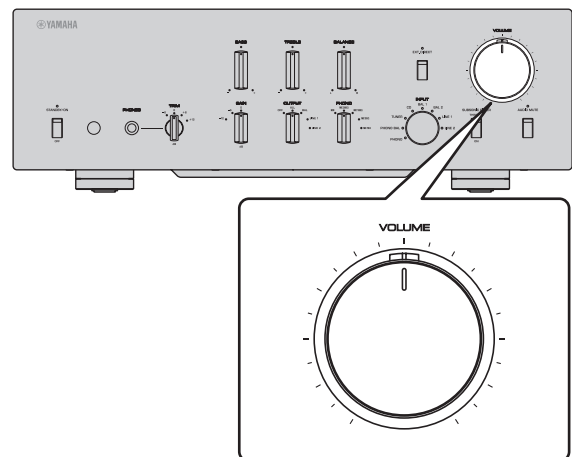
El filtro subsónico estará desactivado siempre que esté seleccionada una fuente de audio distinta del giradiscos (conectado a los jacks PHONO) como la fuente de entrada, aunque el interruptor SUBSONIC FILTER esté activado.

Ajuste del nivel de volumen

Ajuste la ganancia usando el selector GAIN para poder realizar ajustes precisos del volumen.

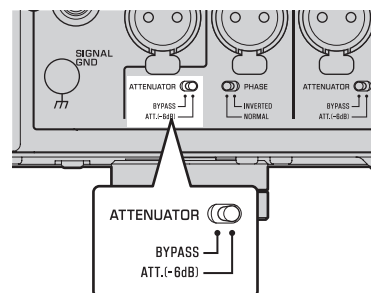


Ajuste el nivel de volumen usando el control VOLUME.



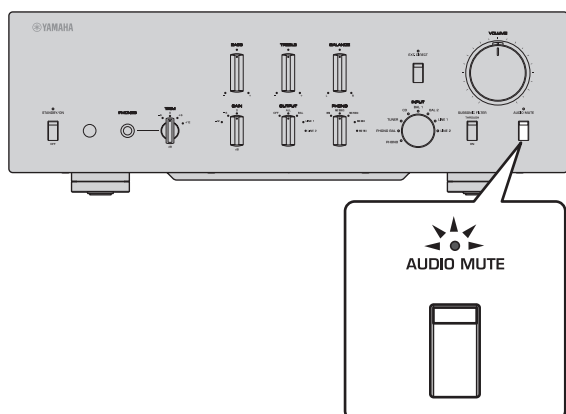
Nota

Si sigue escuchando una distorsión aunque el control VOLUME se haya bajado, es posible que la señal supere el nivel de entrada permitido. Si la fuente de audio se emite por los jacks de entrada balanceada (BAL 1 o BAL 2), ajuste el selector ATTENUATOR en ATT. (-6 dB).



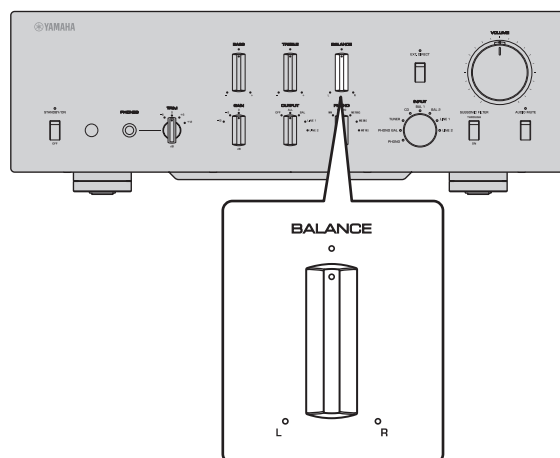
Bajada momentánea del nivel de volumen

Pulse el interruptor AUDIO MUTE para reducir el nivel de volumen actual 20 dB aproximadamente. Pulse el interruptor de nuevo para reponer el nivel de volumen anterior.

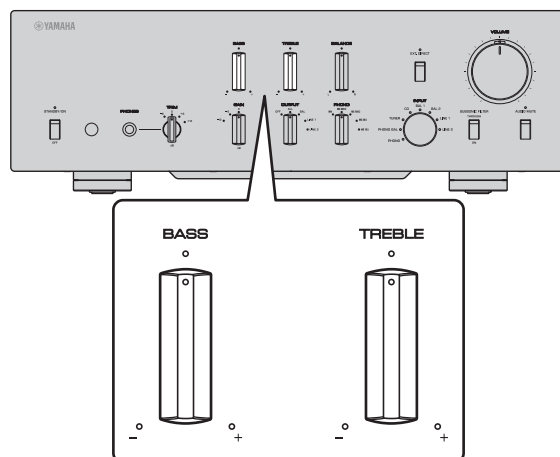


Ajuste del tono

Ajuste el balance de nivel de volumen entre los altavoces izquierdo y derecho usando el control BALANCE.



Ajuste el nivel de volumen de las gamas altas y bajas usando los controles BASS y TREBLE.

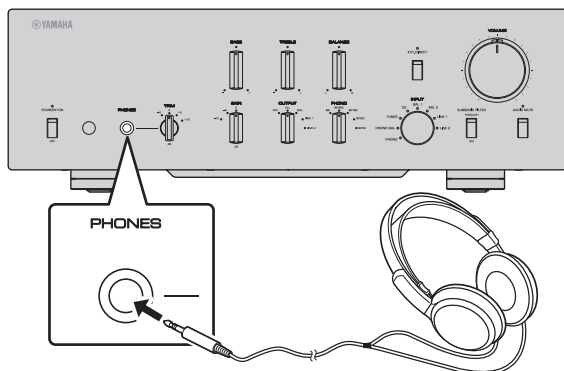


Nota

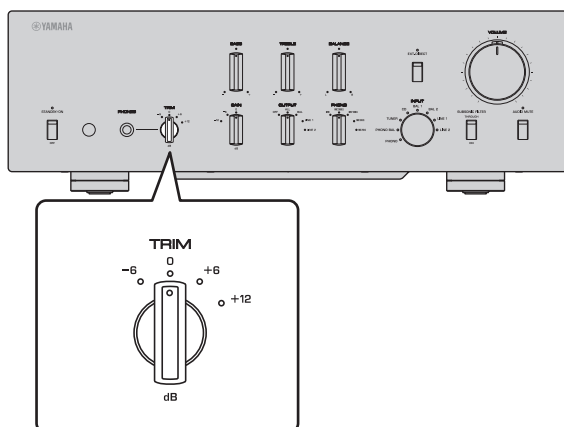
- Si los controles BASS y TREBLE se establecen en el centro, la señal de audio omitirá el circuito de control de tono.
- Los ajustes de los controles BASS, TREBLE y BALANCE no afectarán a las señales de entrada en los jacks EXT. IN ni a las señales de salida en los jacks LINE 2 OUT (grabación).

Conexión de auriculares

Si hay auriculares conectados al jack PHONES, no se emitirá ninguna señal por los jacks de salida (jacks de salida BAL, LINE 1 y LINE 2) en el panel trasero.



Utilice el selector TRIM para cambiar la ganancia del amplificador de auriculares de modo que pueda ajustar el balance de nivel entre la salida de audio del jack PHONES y los altavoces para evitar cambios repentinos de volumen.



Nota

Si se selecciona EXT. DIRECT, no se emitirá ninguna señal por el jack PHONES.

Materiales de referencia

C-5000

Especificaciones generales

Tensión de salida nominal/impedancia de salida (entrada a 200 mV, de 20 Hz a 20 kHz, THD 0,01%)

BAL (BYPASS).....	2 Vrms/150 Ω
BAL (ATT. -6dB).....	1 Vrms/150 Ω
LINE 1/LINE 2.....	1 Vrms/150 Ω
LINE 2 OUT (grabación).....	200 mVrms/1,2 kΩ

Tensión de salida máxima (1 kHz, THD 0,05%)

BAL.....	6 Vrms
LINE 1/LINE 2.....	3 Vrms
LINE 2 OUT (grabación).....	3 Vrms

Sensibilidad de entrada/impedancia de entrada

BAL/LINE 1/LINE 2, 1 V

BAL 1/BAL 2.....	200 mVrms/52 kΩ
TUNER/CD/LINE 1/LINE 2 IN	200 mVrms/47 kΩ
EXT.IN.....	1 Vrms/20 kΩ

LINE 2 OUT (grabación) (150 mV, 1 kHz)

PHONO (MC 300 Ω).....	100 μVrms/300 Ω
PHONO (MC 100 Ω).....	100 μVrms/100 Ω
PHONO (MC 30 Ω).....	100 μVrms/30 Ω
PHONO (MC 10 Ω).....	100 μVrms/10 Ω
PHONO (MM, tipo XLR).....	2,5 mVrms/52 kΩ
PHONO (MM, tipo RCA).....	2,5 mVrms/47 kΩ

Tensión de señal de entrada máxima

LINE 2 OUT (grabación) (1 kHz, THD 0,05%)

BAL (BYPASS).....	2,8 Vrms
BAL (ATT. -6dB).....	5,6 Vrms
TUNER/CD/LINE 1/LINE 2 IN.....	2,8 Vrms
PHONO (MC).....	2 mVrms
PHONO (MM).....	50 mVrms
EXT.IN.....	5,6 Vrms

Respuesta de frecuencia (JEITA, carga 22 kΩ)

De 10 Hz a 100 kHz.....	+0/-3 dB
De 20 Hz a 20 kHz.....	+0/-0,3 dB

Distorsión armónica total más ruido (JEITA, entrada 0,5 V, de 20 Hz a 20 kHz)

BAL 1/BAL 2/TUNER/CD/LINE 1/LINE 2 IN → BAL/LINE 1/LINE 2.....	0,0100%
PHONO (MC) → LINE 2 OUT (grabación)	0,0200%
PHONO (MM) → LINE 2 OUT (grabación)	0,0200%

Separación de canales

(entrada 1,0 kΩ terminada, 1 kHz/10 kHz, JEITA)

BAL 1/BAL 2/TUNER/CD/LINE 1/LINE 2 IN	110 dB o más
PHONO (MC).....	80 dB o más
PHONO (MM).....	98 dB o más

Separador de funciones

(red IHF-A, entrada 1.0 kΩ terminada, JEITA)

BAL 1/BAL 2/TUNER/CD/LINE 1/LINE 2 IN	110 dB o más
PHONO (MC).....	75 dB o más
PHONO (MM).....	95 dB o más

Relación señal a ruido

(red IHF-A, entrada 1,0 kΩ terminada, JEITA)

BAL 1/BAL 2/TUNER/CD/LINE 1/LINE 2 IN	110 dB o más
PHONO (MC 300 Ω).....	80 dB o más
PHONO (MM).....	98 dB o más

Ruido residual (red IHF-A)

BAL/LINE 1/LINE 2.....	3 μV
------------------------	------

Características de control de tono

Graves

Refuerzo/corte.....	30 Hz/±9 dB
Frecuencia de transición.....	350 Hz

Agudos

Refuerzo/corte.....	20 kHz/±9 dB
Frecuencia de transición.....	3,5 kHz

**Potencia de salida nominal de la toma de auriculares
(1 kHz, 32 Ω, 0,2% THD)**

..... 35 mW + 35 mW

Desviación de ecualización RIAA

MC/MM ±0,5 dB

Características del filtro subsónico

MC/MM 15 Hz/−3 dB

Alimentación

[Modelos para EE. UU. y Canadá] . . . 120 V CA, 60 Hz

[Modelo para China] 220 V CA, 50 Hz

[Modelo para Corea] 220 V CA, 60 Hz

[Modelo para Australia] 240 V CA, 50 Hz

[Modelos para Reino Unido y Europa] . . 230 V CA, 50 Hz

[Modelo para Asia] . . . 220–240 V CA, 50 Hz/60 Hz

[Modelos para América Central y del Sur
y Taiwán]. 110 V CA, 60 Hz

Consumo

..... 60 W

Consumo en espera

Modo desactivado 0,1 W

Modo de espera 0,2 W

Dimensiones (An. × Al. × Prof.)

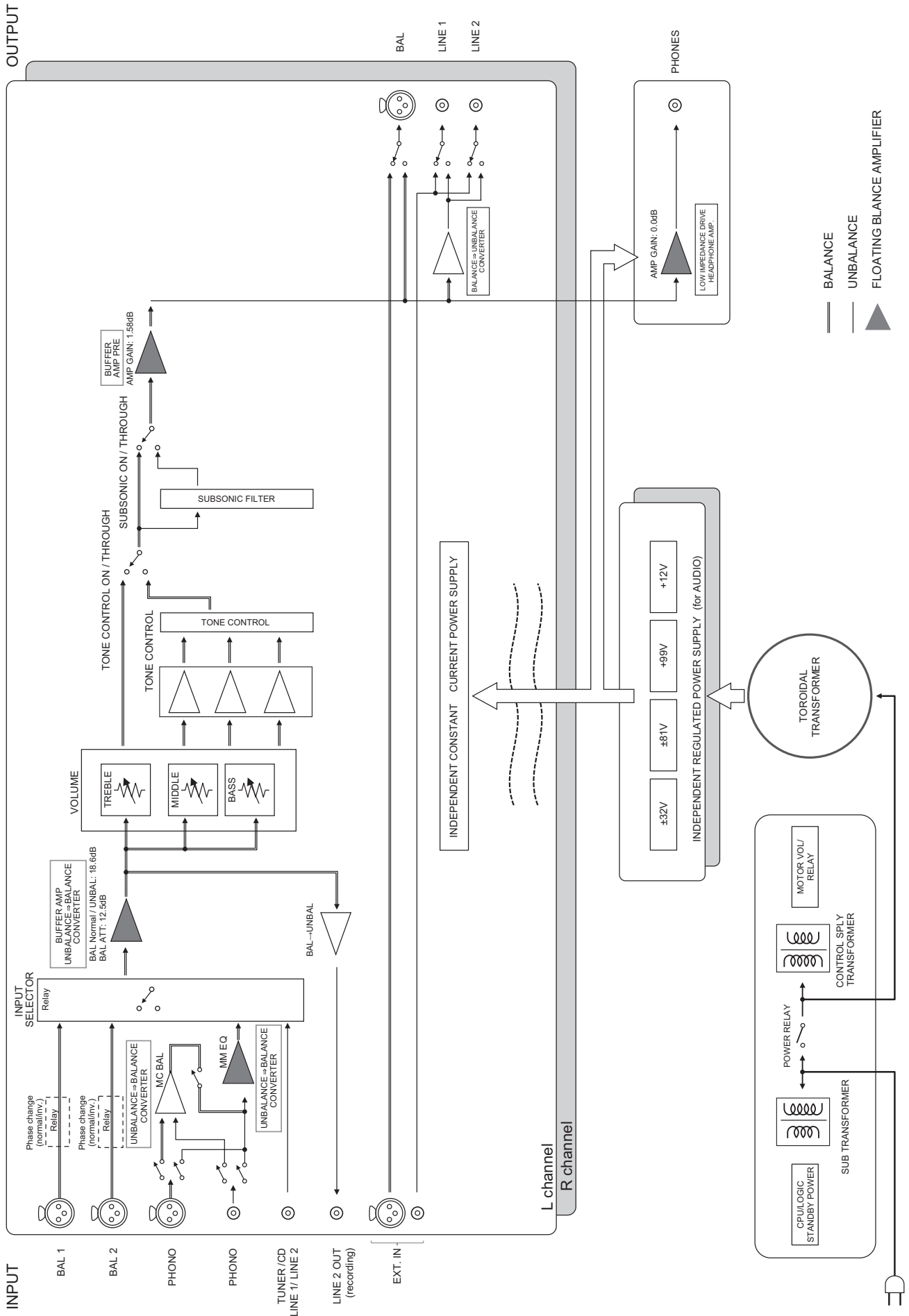
..... 435 × 142 × 451 mm

Peso

..... 19,1 kg

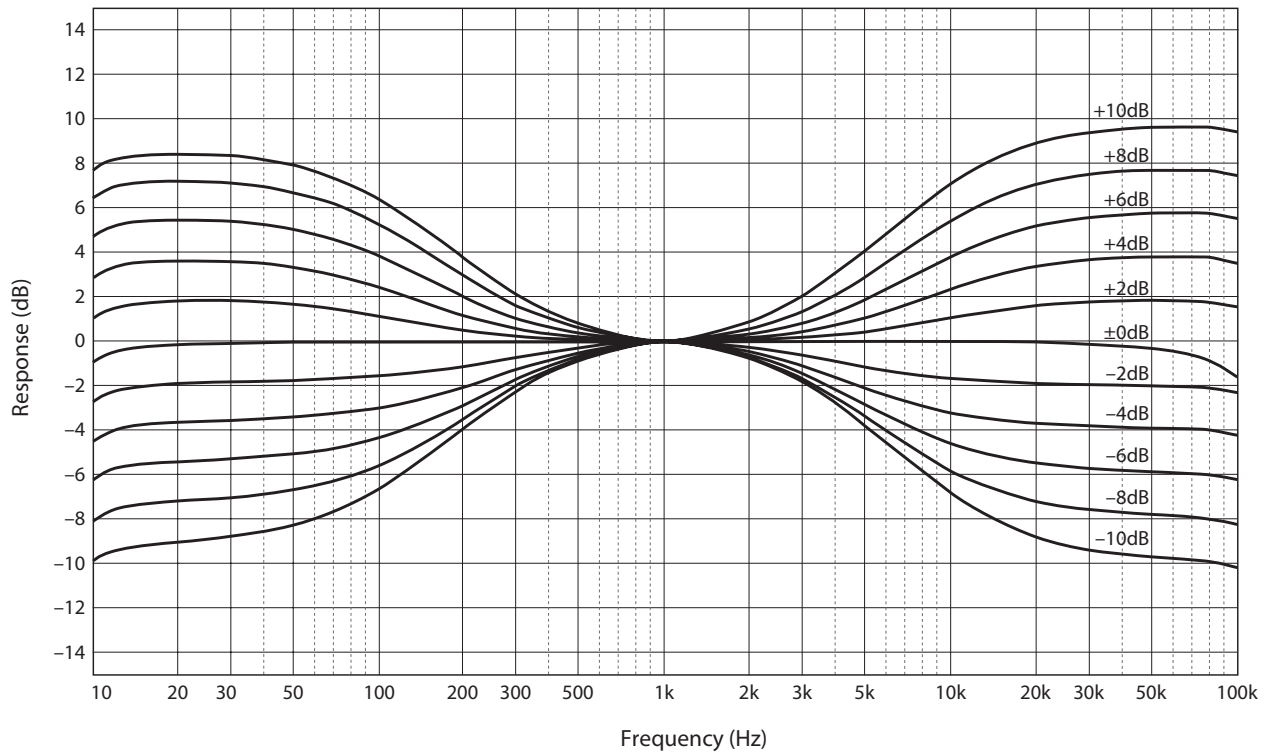
* El contenido de este manual se aplica a las últimas especificaciones según la fecha de publicación. Para obtener el último manual, acceda al sitio web de Yamaha y descargue el archivo del manual.

Diagrama en bloques

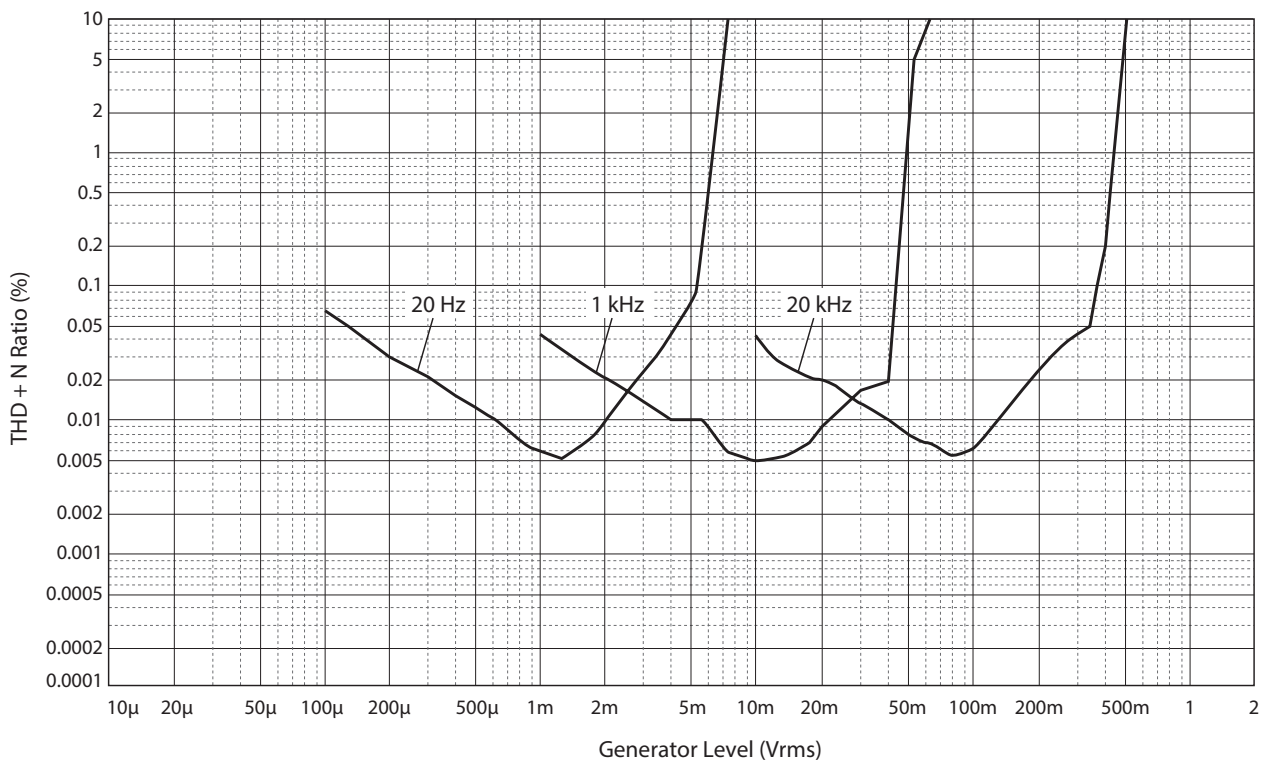


Características de audio

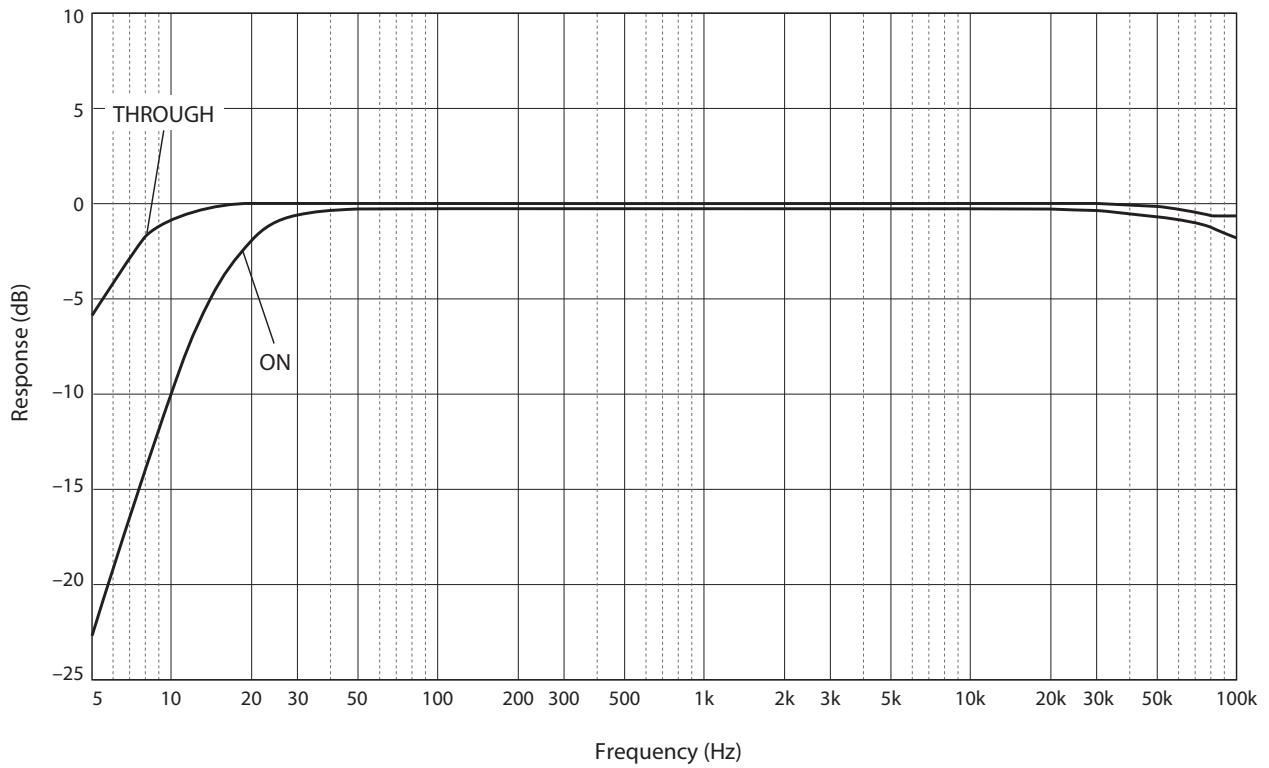
Respuesta de frecuencia (control de tono)



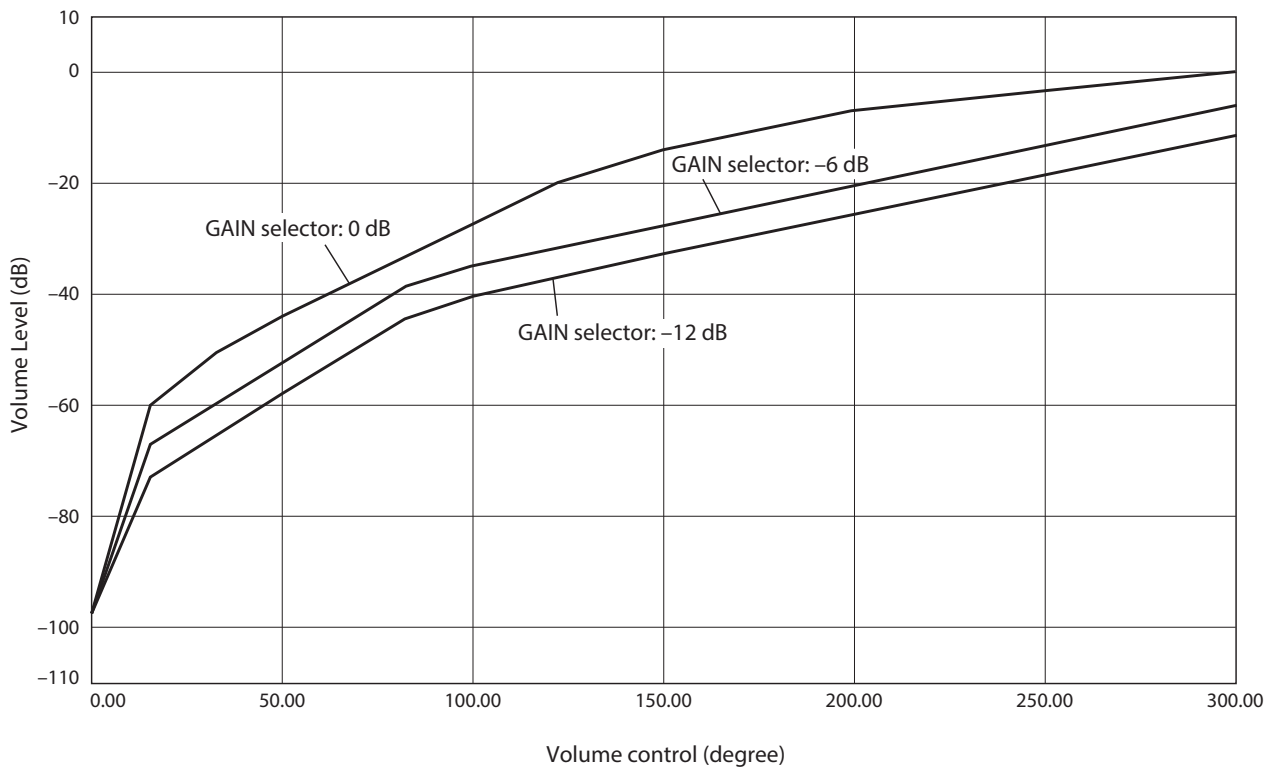
Distorsión armónica total (PHONO)



Filtro subsónico



Curva de volumen



Resolución de problemas

Consulte la tabla siguiente si esta unidad no funciona bien. Si las instrucciones siguientes no ayudan a solucionar el problema, o si el problema no es uno de los que aparecen en la siguiente lista, apague la unidad, desconecte el cable de alimentación y póngase en contacto con el centro de servicio o distribuidor Yamaha autorizado más cercano.

Problema	Causa	Solución	Consulte la página
La alimentación no se enciende.	El cable de alimentación no está conectado al conector AC IN del panel trasero o no está enchufado a una toma de CA.	Conecte firmemente el cable de alimentación.	226
	La unidad ha sido expuesta a una descarga eléctrica externa intensa (rayo o electricidad estática intensa).	Apague la unidad, desconecte el cable de alimentación de la toma de CA, espere unos 30 segundos y luego vuelva a enchufar la unidad.	226
	Hay un problema con los circuitos internos de esta unidad.	Desconecte el cable de alimentación de la toma de CA y póngase en contacto con el centro de servicio o distribuidor Yamaha autorizado más cercano.	226
No se oye sonido.	Conexiones incorrectas de los cables de entrada o salida.	Conecte los cables correctamente. Si el problema persiste, es posible que los cables estén defectuosos.	220
	No se ha seleccionado una fuente de entrada adecuada.	Seleccione la fuente de entrada adecuada usando el selector INPUT del panel delantero (o una de las teclas de selección de entrada del mando a distancia).	228
	El ajuste del selector OUTPUT no coincide con los jacks de salida que se están utilizando.	Seleccione una salida adecuada con el selector OUTPUT.	228
No es posible ajustar el nivel de volumen.	EXT. DIRECT está seleccionado como la fuente de entrada.	Ajuste el nivel de volumen en el componente conectado. Asimismo, conecte el componente externo a una pareja de jacks de entrada distinta de los jacks EXT. IN y luego seleccione la fuente de entrada correspondiente.	220 228
Solo se puede oír el altavoz de un canal.	El componente de reproducción no está conectado correctamente.	Asegúrese de que las conexiones se realizan correctamente. Si el problema persiste, es posible que los cables estén defectuosos.	220

Problema	Causa	Solución	Consulte la página
Se oye un ruido de zumbido.	Conexiones incorrectas de los cables de entrada o salida.	Conecte los cables correctamente. Si el problema persiste, es posible que los cables estén defectuosos.	220
	El giradiscos no está conectado a tierra en el terminal GND.	Conecte el giradiscos al terminal GND de esta unidad.	222
	Se están utilizando simultáneamente cables balanceados y de línea entre dos componentes.	No utilice cables balanceados y de línea simultáneamente entre dos componentes. Si lo hace se creará un bucle a tierra que podría generar estática y ruido.	221
El audio de reproducción procedente del componente conectado a los jacks de entrada balanceada BAL 1 o BAL 2 suena distorsionado.	El nivel de la señal en los jacks de entrada balanceada supera el nivel de entrada permitido.	Si el nivel de la señal en los jacks de salida balanceada de tipo XLR en el componente de reproducción conectado está duplicado en comparación con los jacks no balanceados RCA, ajuste el selector ATTENUATOR situado debajo de los jacks de entrada en ATT. (-6 dB)	230
Los graves no tienen profundidad cuando se selecciona BAL 1 o BAL 2 (entrada balanceada).	La polaridad es incorrecta.	Seleccione la polaridad correcta con el selector PHASE.	214
El nivel de volumen del disco de vinilo es demasiado bajo.	El interruptor PHONO del panel delantero se ha establecido de manera incorrecta.	Ajuste el interruptor PHONO en la posición MM o MC según el tipo de cartucho magnético del giradiscos.	229
El mando a distancia no funciona bien.	El mando a distancia se ha utilizado fuera del rango operativo.	El mando a distancia se debe utilizar dentro de una distancia máxima de 6 m y sin superar un ángulo de 30 grados a partir del eje central desde el sensor del mando a distancia en el panel delantero.	218
	El sensor del mando a distancia en el panel delantero está sometido a la luz solar directa o a iluminación intensa (lámpara fluorescente de tipo inverso, luz estroboscópica, etc.).	Cambie la orientación de la iluminación o vuelva a colocar la unidad.	218
	Las pilas están casi agotadas.	Sustituya las pilas.	218

Índice

A

Activación, conexión	224
Ajuste de la entrada del giradiscos	229
Altavoz de subgraves, conexión	223
Amplificador de potencia, conexión	223
ATTENUATOR, selector	230
AUDIO MUTE, interruptor	231
Auriculares, conexión	232
AUTO POWER STANDBY, interruptor	213

B

BAL 1, jack	211
BAL 2, jack	211
BALANCE, control	231
BAL, jack	213
BASS, control	231

C

Componente de grabación, conexión	222
Conexión balanceada	214
Conexión no balanceada	215
Conexión remota	225

E

Encendido de la unidad	206
EXT. DIRECT, interruptor	229
EXT. IN, jack	223

G

GAIN, selector	230
Giradiscos, conexión	222

I

Indicador de alimentación	206
Indicador STANDBY/ON/OFF	206
INPUT, selector	228
Interruptor de alimentación	206
Interruptor STANDBY/ON/OFF	206

J

Jack AC IN	226
Jack de entrada externa	223
Jack phono	222

L

LINE 1, jack	213
LINE 2 IN, jack	212
LINE 2, jack	213
LINE 2 OUT (grabación), jack	212

O

OUTPUT, selector	228
------------------	-----

P

PHASE, selector	214
PHONES, jack	232
PHONO, jack	222
PHONO, selector	229

R

REMOTE, jack	225
--------------	-----

S

Sensor del mando a distancia	218
SERVICE, jack	213
SUBSONIC FILTER	230
SUBSONIC FILTER, interruptor	230

T

Terminal de tierra	222
Terminal de tierra de señales	222
Terminal SIGNAL GND	222
TREBLE, control	231
TRIGGER, jack	224
TRIM, selector	232

V

VOLUME, control	230
-----------------	-----

Dank u en proficiat met uw aankoop van dit Yamaha product.

- ◆ U kunt thuis genieten van het hoogwaardige stereogeluid van deze voorversterker.
- ◆ Deze gebruikershandleiding beschrijft de functies en aansluithandelingen en bediening.
- ◆ Om dit product op de juiste wijze en veilig te gebruiken adviseren we deze handleiding en de veiligheidsbrochure (apart boekje) grondig door te lezen.
Bewaar de handleiding op een veilige en toegankelijke plaats om in de toekomst te kunnen raadplegen.



U kunt een pdf-versie van deze handleiding downloaden vanaf de volgende website.

<https://download.yamaha.com/>

Eigenschappen

- ◆ Het links-rechts symmetrisch ontwerp creëert een rechtlijnige structuur
- ◆ Class A werking met full stage, full floating gebalanceerde signaaltransmissie van ingang naar uitgang
- ◆ Full floating en gebalanceerde phono EQ-versterker met gebalanceerde ingangen
- ◆ Zeer nauwkeurige regelaars die gebruik maken van een zelf ontwikkelde lagerstructuur en zeer robuuste schakelaars.
- ◆ Dubbel transformatorontwerp dat specifiek voor audio is ontworpen en volledig gescheiden is van de besturingsvoeding.
- ◆ Stabiele mechanische basisconstructie vermindert de impact van externe trillingen dramatisch.
- ◆ Toonregelingsschakeling met een zelf ontwikkeld parallel volumesysteem
- ◆ Nieuw ontworpen koperen spikevoeten
- ◆ Gainregelfunctie die ultranauwkeurige volumeaanpassingen mogelijk maakt

Over deze handleiding

- ◆ De in deze handleiding weergegeven illustraties dienen uitsluitend voor instructiedoeleinden.
- ◆ De namen van bedrijven en producten die in deze handleiding worden genoemd, zijn handelsmerken of gedeponeerde handelsmerken van hun respectievelijke eigenaars.
- ◆  **WAARSCHUWING**” beschrijft voorzorgsmaatregelen die moeten worden gevolgd om ernstig letsel of zelfs overlijden te vermijden.
- ◆  **VOORZICHTIG**” beschrijft voorzorgsmaatregelen die moeten worden gevolgd om mogelijke letsel te vermijden.
- ◆ **LET OP**” beschrijft voorzorgsmaatregelen die moeten worden gevolgd om mogelijke storing/schade aan het product of dataverlies te voorkomen.
- ◆ **Opmerking**” beschrijft aanvullende informatie over het product.
- ◆ Zorg dat u vóór gebruik van het product de aparte “veiligheidsbrochure” leest.

Inhoudsopgave

Eigenschappen	242
Over deze handleiding.	242
Meegeleverde accessoires	244
Onderhoud	244
Glanzende zijpanelen	244
Oppervlakken anders dan de glanzende zijpanelen	244

Namen en functies van onderdelen

Voorpaneel	246
Achterpaneel	250
Gebalanceerde en ongebalanceerde aansluitingen.	254
Afstandsbediening	256
Inzetten van batterijen in de afstandsbediening	258
De afstandsbediening bedienen	258

Aansluitingen

Een externe component aansluiten	260
Een draaitafel aansluiten	262
Een opnamecomponent aansluiten	262
Een andere voorversterker aansluiten	263
Een eindversterker en actieve subwoofer aansluiten	263
Triggeraansluitingen	264
Het bedienen van aan- en uitzetten van een aangesloten component, zoals een eindversterker, gesynchroniseerd met dit toestel	264
Het in- en uitschakelen van dit toestel synchroniseren met een aangesloten component, zoals een AV-receiver	264

Externe verbindingen	265
Het toestel vanuit een andere kamer bedienen	265
Afstandsverbinding tussen Yamaha-componenten	265
Het netsnoer aansluiten	266

Bediening

Het toestel inschakelen	268
De ingang en uitgang selecteren	268
De ingang vanaf de EXT.IN-aansluitingen selecteren	269
De inganginstelling van de draaitafel aanpassen.	269
PHONO-keuzeschakelaar	269
Subsonic filter	270
Het volumeniveau aanpassen	270
Het volumeniveau tijdelijk verlagen	271
De toon aanpassen	271
Hoofdtelefoon aansluiten.	272

Referentiemateriaal

Algemene specificaties	274
Schema	276
Audiokenmerken	277
Frequentierespons (toonregeling)	277
Totale harmonische vervorming (PHONO).	277
Subsonic filter	278
Volumecurve	278
Problemen oplossen	279
Index	281

Meegeleverde accessoires

Controleer of de volgende accessoires in de verpakking zitten.

- Afstandsbediening
- Batterijen (AAA, R03, UM-4) (x2)
- Netsnoer
- Gebruikershandleiding (dit boek)
- Veiligheidsbrochure (apart boekje)



WAARSCHUWING

Gebruik het meegeleverde netsnoer niet voor andere apparaten.

Onderhoud

Om dit product langere tijd te kunnen gebruiken adviseren wij om het regelmatig te onderhouden.



WAARSCHUWING

- Controleer regelmatig of het netsnoer niet vuil is geworden. Zo ja, veegt het vuil dan volledig af. Anders kunnen er brand of elektrische schokken ontstaan.
- Gebruik geen spuitbussen of brandbare gasspray voor reinigen of smeren. Anders kan er zich brandbaar gas in het toestel ophopen, wat mogelijk een explosie of brand kan veroorzaken.

LET OP

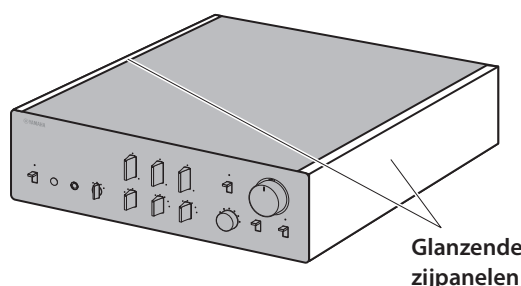
- Reinig het toestel met een droge zachte doek. Gebruik van oplosmiddelen, zoals benzine of thinner, reinigingsmiddel of een chemisch behandelde doek kan verkleuring of aantasting van het oppervlak veroorzaken. Als het oppervlak erg vuil wordt, gebruik dan een in verdund schoonmaakmiddel gedrenkte doek, knijp deze stevig uit en wrijf het vuil weg.
- Als u in de buurt van het Yamaha logo met kracht wrijft, kan het logo loslaten of kunnen er vezels van de doek aan het oppervlak blijven hangen.

Glanzende zijpanelen

Wij adviseren gebruik van een reinigingsdoek, zoals die voor piano's wordt gebruikt. Als het oppervlak erg vuil is, gebruik dan een zachte doek die is bevochtigd met water en stevig is uitgeknepen.

Oppervlakken anders dan de glanzende zijpanelen

Wrijf andere oppervlakken schoon met een zachte droge doek. Als het oppervlak erg vuil wordt, gebruik dan een in verdund schoonmaakmiddel gedrenkte doek, knijp deze stevig uit en wrijf het vuil van het oppervlak.

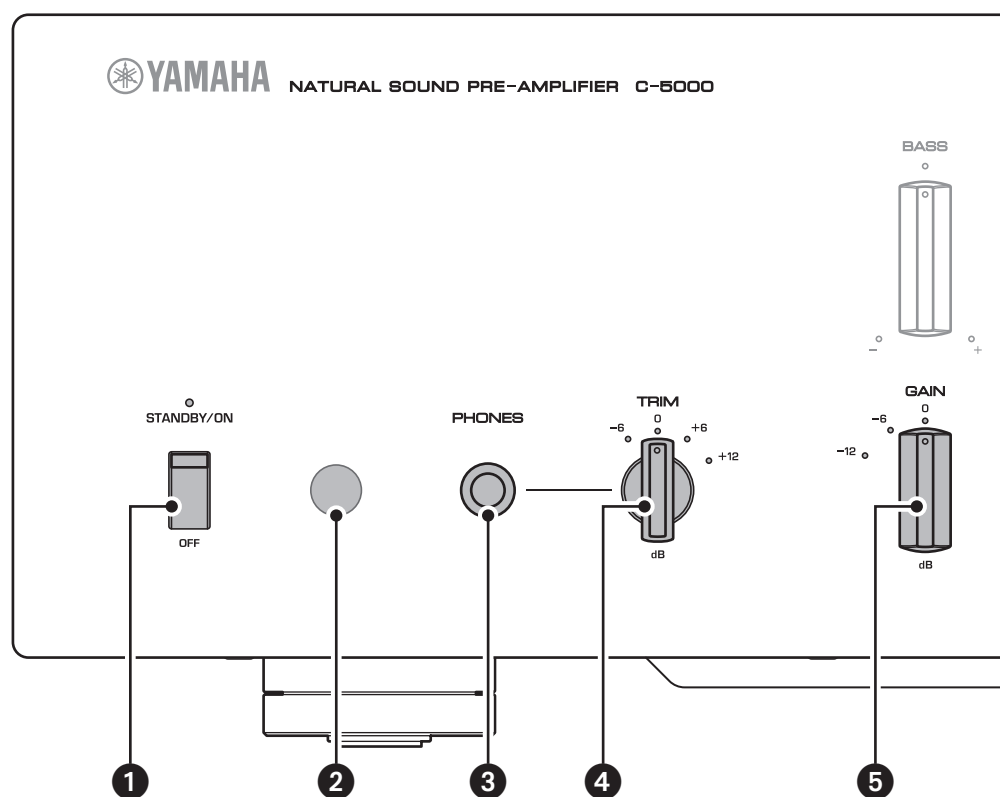


Namen en functies van onderdelen

Dit deel beschrijft de namen en functies van diverse onderdelen op het voor- en achterpaneel en de afstandsbediening.


C-5000

Voorpaneel



1 STANDBY/ON/OFF (aan/uit)-schakelaar/ indicator

Schakelt het toestel in (stand-by) of uit.

STANDBY/ON: schakelt over van stand-by en aan met behulp van de toets  AMP op de afstandsbediening.

OFF: schakelt het toestel uit.

Aan/uit status	Indicator
Aan-modus	Fel verlicht
Stand-by-modus	Matig verlicht
Uit-modus	Off

Het toestel gaat niet alleen in standby-modus als u op de AMP-toets op de afstandsbediening drukt, maar ook bij één van de volgende gebeurtenissen:

- Als het toestel is ingeschakeld maar gedurende acht uur niet wordt bediend, terwijl de functie voor automatische standby is ingeschakeld, of
- Als de stroomtoevoer wordt uitgeschakeld van het apparaat dat is aangesloten op de TRIGGER IN-aansluiting van dit toestel.

Raadpleeg “**17** AUTO POWER STANDBY-schakelaar” in het gedeelte “Achterpaneel” (pagina 253) en “Triggeraansluitingen” (pagina 264).

Opmerking

Nadat het toestel wordt ingeschakeld, duurt het enkele seconden alvorens het toestel geluid kan produceren.

LET OP

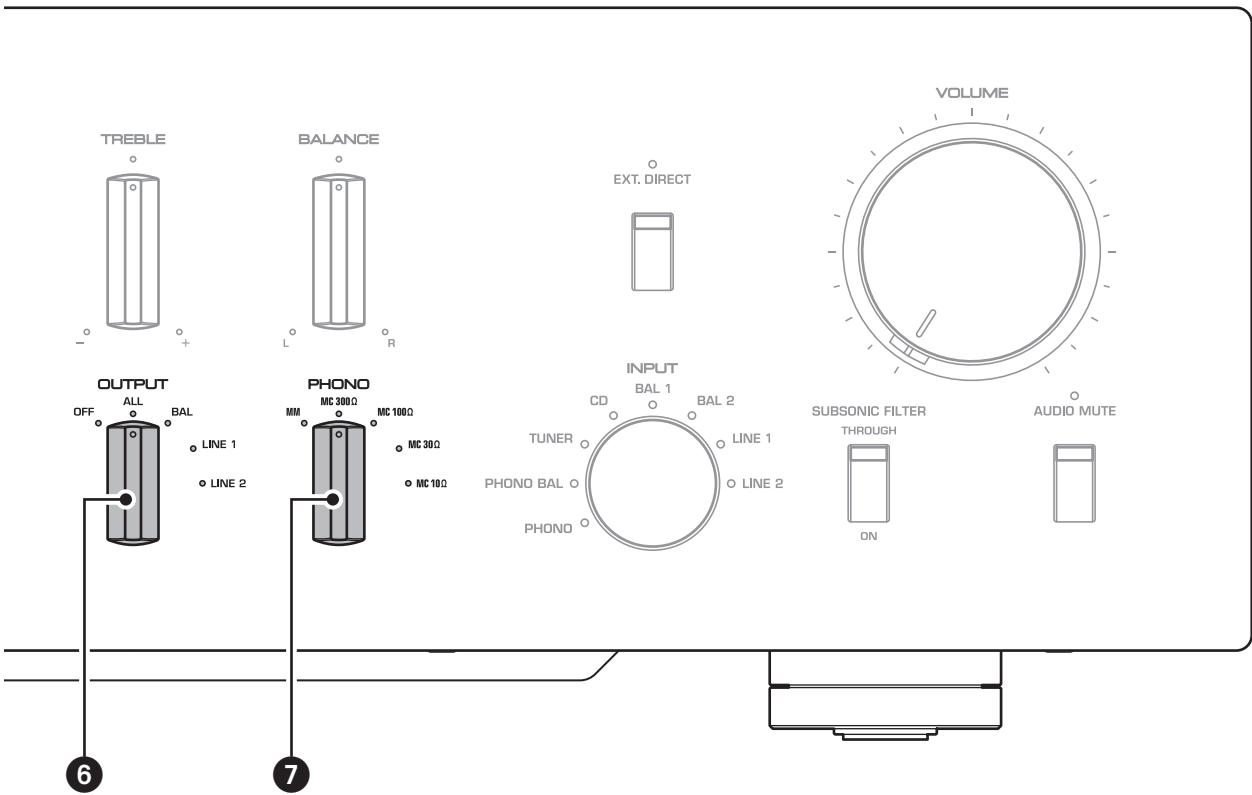
Wanneer u dit toestel voor langere tijd niet gebruikt, haal dan de stekker uit het stopcontact. Zelfs als de STANDBY/ON/OFF (aan/uit)-schakelaar op uit staat (de aan/uit-indicator is donker), stroomt er een minieme hoeveelheid stroom naar het toestel.

2 Sensor voor de afstandsbediening

Deze ontvangt de signalen van de afstandsbediening. Raadpleeg “De afstandsbediening bedienen” (pagina 258) voor meer informatie.

3 PHONES-aansluiting

Sluit hier uw hoofdtelefoon aan om in alle rust muziek te luisteren. Raadpleeg “Hoofdtelefoon aansluiten” (pagina 272) voor meer informatie.



4 TRIM-keuzeschakelaar

Schakelt de ingangsgevoeligheid van de hoofdtelefoonversterker om. Het toestel past het volumeniveau aan als er een hoofdtelefoon is aangesloten om plotselinge volumewijzigingen te voorkomen die optreden door het wijzigen van de niveaubalans tussen de audio-uitgang van de PHONES-aansluiting en van de luidsprekers.

Keuzes: -6 dB, 0 dB, +6 dB, +12 dB

5 GAIN-keuzeschakelaar

Schakelt de ingangsgevoeligheid van de voorversterker om. Dit toestel past zich soepel aan de ingangsgevoeligheid voor de eindversterker en luidsprekergevoeligheid aan, waardoor u nauwkeurige volume-aanpassingen kunt realiseren. Raadpleeg “Het volumeniveau aanpassen” (pagina 270) voor meer informatie.

Keuzes: -12 dB, -6 dB, 0 dB

6 OUTPUT-keuzeschakelaar

Bepaalt welke OUTPUT-aansluitingen signaal verzenden, en wel als volgt:

Gebruik deze keuzeschakelaar als er meerdere eindversterkers zijn aangesloten.

	OUTPUT-keuzeschakelaar				
	OFF	ALL	BAL	LINE1	LINE2
BAL-aansluitingen	—	Uitgangssignaal	Uitgangssignaal	—	—
LINE 1-aansl.	—	Uitgangssignaal	—	Uitgangssignaal	—
LINE 2-aansl.	—	Uitgangssignaal	—	—	Uitgangssignaal

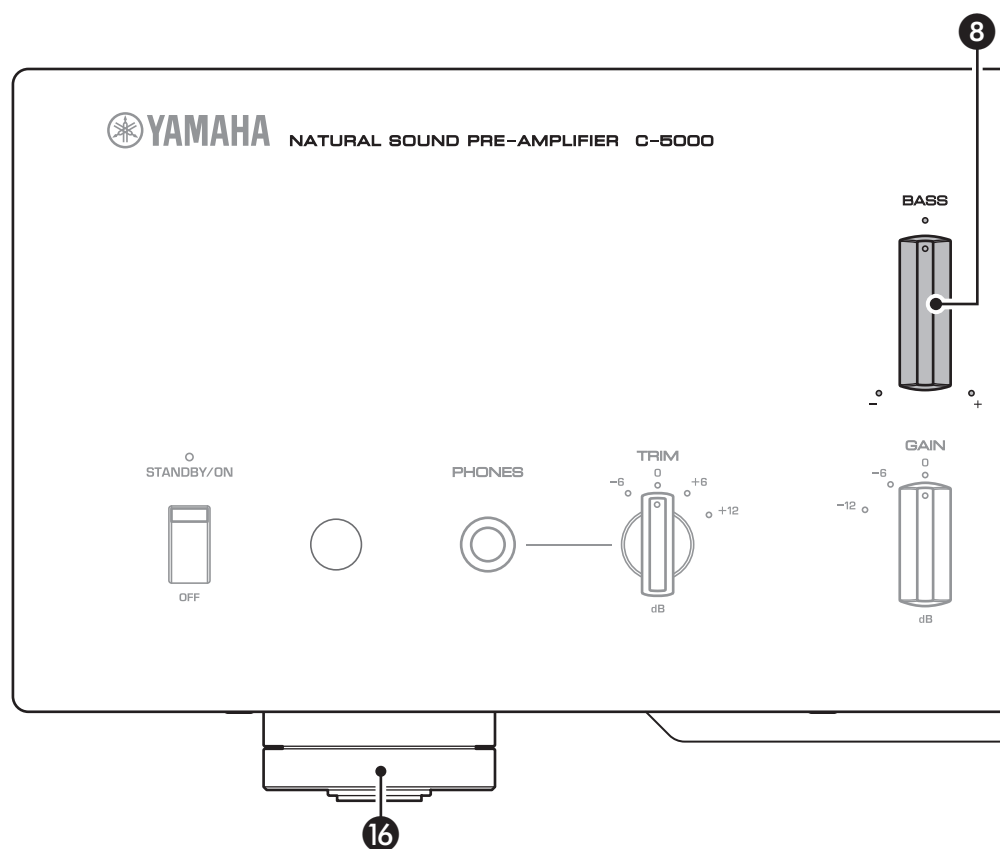
7 PHONO-keuzeschakelaar

Geeft het type element aan dat is geïnstalleerd op de draaitafel die is aangesloten op de PHONO-aansluitingen op het achterpaneel (MM, MC 300Ω, MC 100Ω, MC 30Ω, MC 10Ω). Raadpleeg “De ingangsinstelling van de draaitafel aanpassen” (pagina 269) voor meer informatie.

LET OP

Schakel dit toestel uit alvorens het element te vervangen.

Voorpaneel



8 BASS-regelaar

Past de laagfrequente karakteristiek aan in het bereik van -10 dB tot $+10$ dB (in stappen van $0,5$ dB). De middelste stand levert een vlakke klank op.

9 TREBLE-regelaar

Past de hoogfrequente karakteristiek aan in het bereik van -10 dB tot $+10$ dB (in stappen van $0,5$ dB). De middelste stand levert een vlakke klank op.

10 BALANCE-regelaar

Regelt de geluidsbalans tussen de linker en rechter luidsprekers binnen het bereik L (rechter kanaal is gedempt) tot R (het linker kanaal is gedempt) ter compensatie van geluidsafwijkingen die worden veroorzaakt door de opstelling van de luidsprekers of door de omstandigheden in de luisterruimte.

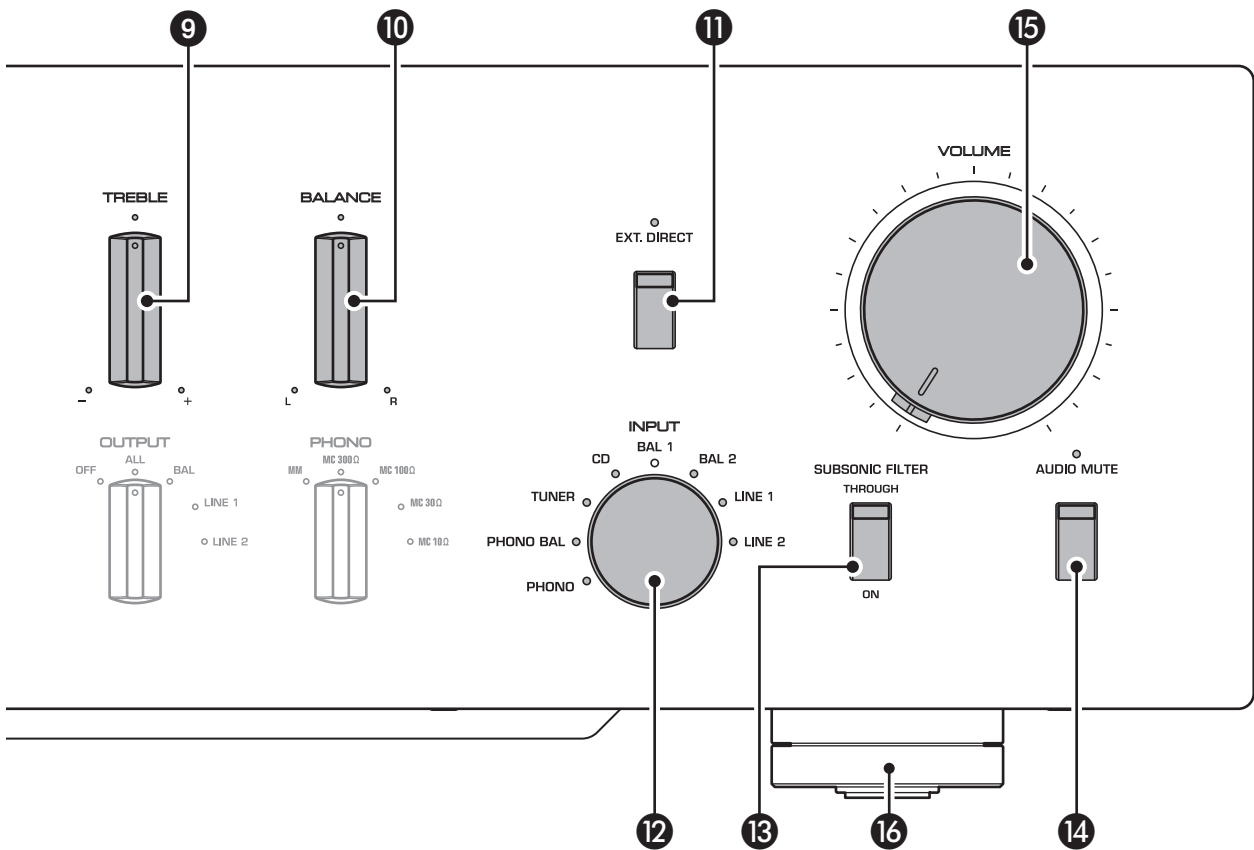
11 EXT.DIRECT schakelaar/indicator

Als u de EXT. DIRECT-schakelaar één keer indrukt, gaat de EXT. DIRECT-indicator branden en wordt het signaal van de audiobron bij EXT. IN-aansluitingen verzonden naar de aangesloten uitgangen. Raadpleeg voor meer informatie “Een andere voorversterker aansluiten” (pagina 263) en “De ingang en uitgang selecteren” (pagina 268).

Als u de EXT. DIRECT-schakelaar drukt of aan de INPUT-keuzeschakelaar draait, wordt het signaal dat is gespecificeerd bij de INPUT-keuzeschakelaar de signaalbron en gaat de EXT. DIRECT-indicator uit.

Opmerking

Als EXT. DIRECT is geselecteerd, wordt er geen signaal verzonden naar de LINE 2 OUT (opname)-aansluitingen, noch op de PHONES-aansluiting.



12 INPUT-keuzeschakelaar/indicator

Hiermee kunt u de signaalbron selecteren voor afspelen. Opties zijn: **PHONO**, **PHONO BAL**, **TUNER**, **CD**, **BAL 1**, **BAL 2**, **LINE 1**, en **LINE 2**. De indicator voor de geselecteerde signaalbron gaat branden.

Opmerking

Als hier **LINE 2** is geselecteerd, worden er geen audiosignalen verzonden naar de **LINE 2 OUT** (opname)-aansluitingen.

13 SUBSONIC FILTER-schakelaar

Schakelt over tussen **ON** (ingeschakeld) en **THROUGH** (uitgeschakeld) voor het subsonic filter. Raadpleeg “De inganginstelling van de draaitafel aanpassen” (pagina 269) voor meer informatie.

Opmerking

Als de **INPUT-keuzeschakelaar** is ingesteld op een andere optie dan **PHONO** of **PHONO BAL**, wordt het filter uitgeschakeld.

14 AUDIO MUTE schakelaar/indicator

Druk op deze schakelaar om het huidige volumenniveau met ongeveer 20 dB te verlagen. De indicator gaat branden. Druk nog eens op deze toets om de geluidswaergave op het oorspronkelijke volume voort te zetten. De indicator gaat uit.

15 VOLUME-regelaar

Past het volumenniveau aan. Deze instelling heeft geen invloed op het uitgangsniveau van de **LINE 2 OUT** (opname)-aansluitingen.

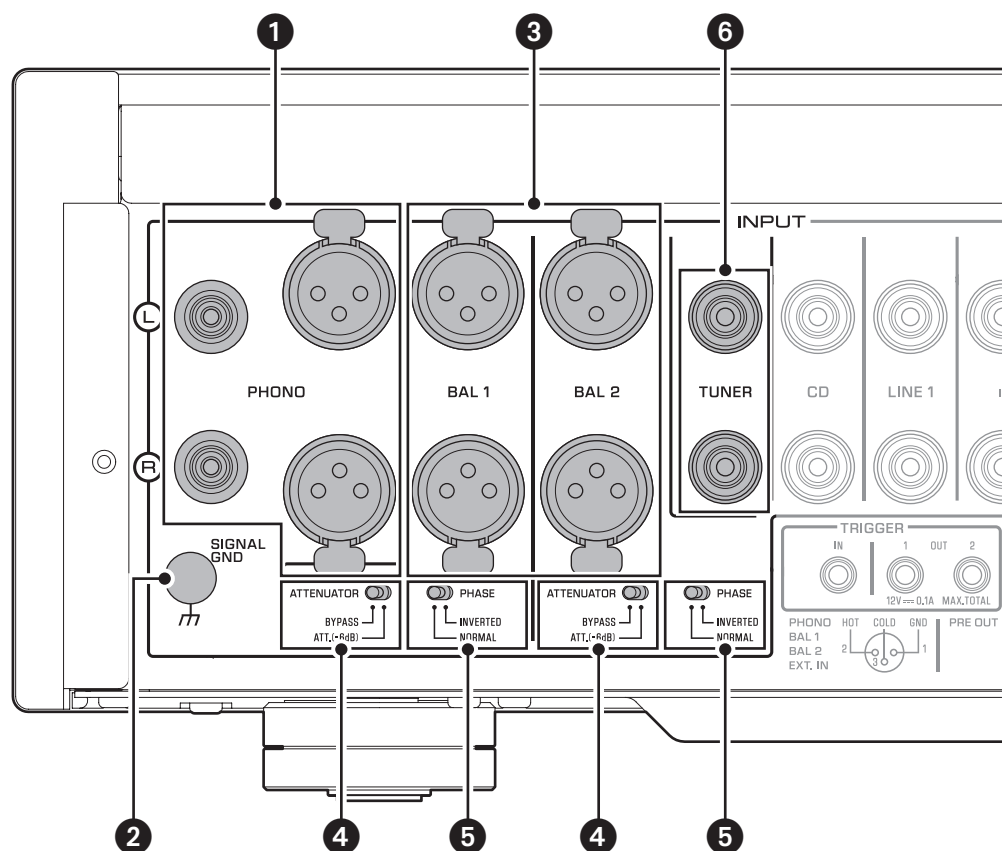
Opmerking

VOLUME-regelaar heeft geen effect op het volumenniveau als **EXT. DIRECT** is geselecteerd als signaalbron. Om het volume aan te passen gebruikt u de volumeregelaar op de externe voorversterker of een andere component die is aangesloten op de **EXT. IN**-aansluitingen.

16 Voeten

Als het toestel onstabiel staat, stel dan de hoogte van de voeten bij door deze te draaien.

Achterpaneel



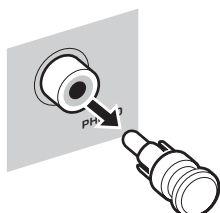
Opmerking

Raadpleeg voor meer informatie over het aansluiten "Aansluitingen" (pagina 259).

1 PHONO-aansluitingen

RCA- en XLR-aansluitingen. Als de INPUT-keuzeschakelaar is ingesteld op PHONO, vormen de signalen van de RCA PHONO-aansluitingen de signaalbron. Als de INPUT-keuzeschakelaar is ingesteld op PHONO BAL, vormen de signalen van de XLR PHONO-aansluitingen de signaalbron.

Uw voorversterker wordt geleverd met een kortsluitplug die is geïnstalleerd op alle RCA PHONO-ingangen. Als u een externe component op deze aansluitingen wilt aansluiten, verwijder dan de kortsluitpluggen. Raadpleeg "Een draaitafel aansluiten" (pagina 262) voor meer informatie.



VOORZICHTIG

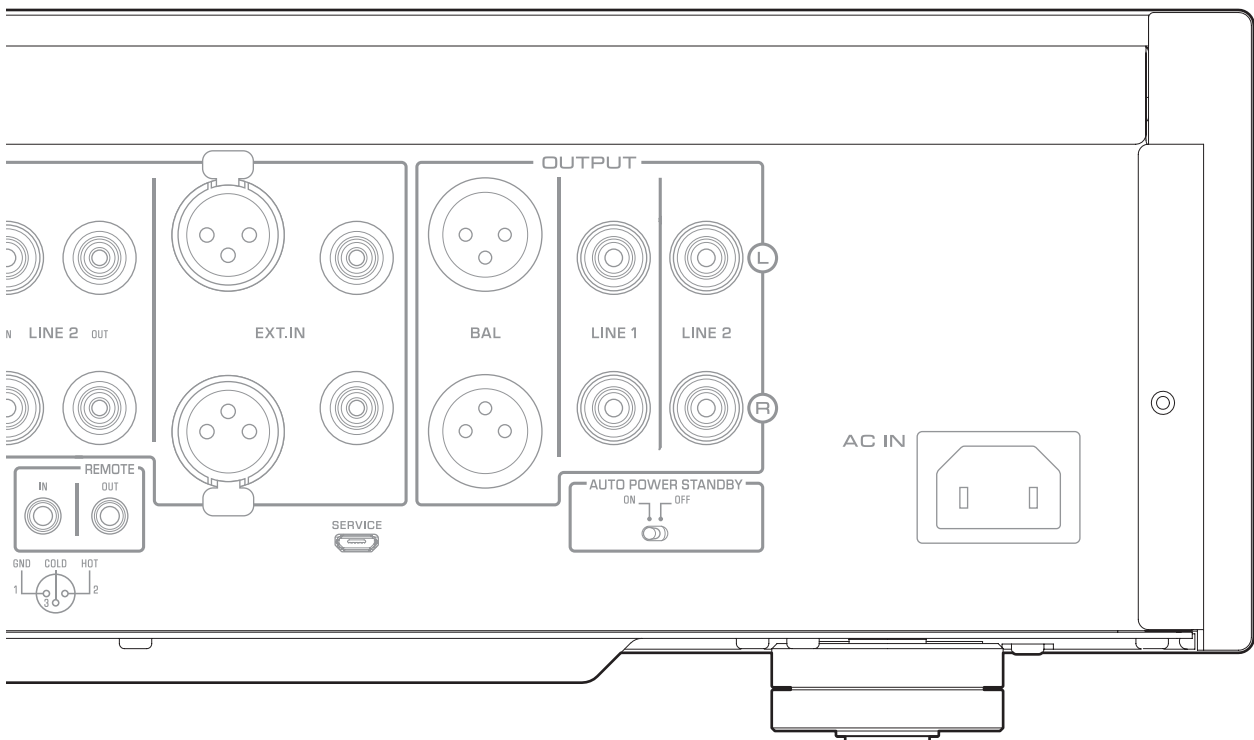
Behandel de kortsluitpluggen zorgvuldig. Laat kinderen niet met de kortsluitpluggen spelen, anders kunnen ze die misschien inslikken.

LET OP

- Kortsluitpluggen zijn alleen bedoeld voor ONGEBRUIKTE INGANGEN. Gebruik op UITGANGEN kan uw componenten serieus beschadigen.
- Als u niet van plan bent om de RCA PHONO-ingangen te gebruiken, plaats dan de kortsluitpluggen in de aansluitingen om te voorkomen dat statische elektriciteit of ruis het audiosignaal negatief beïnvloedt.

2 SIGNAL GND (ground)-aansluiting

Als u een draaitafel op de RCA PHONO-ingangen aansluit, sluit dan ook de draaitafel ook op deze aansluiting aan. Hierdoor kunt u brom voorkomen.



3 BAL 1/BAL 2-aansluitingen

Dit zijn twee sets gebalanceerde XLR-ingangen. Als de INPUT-keuzeschakelaar is ingesteld op BAL 1 of BAL 2, vormen de signalen van de bijbehorende XLR-aansluitingen de signaalbron.

Opmerking

Stel de ATTENUATOR-keuzeschakelaar en PHASE-keuzeschakelaar juist in voor de afspel componenten die op het toestel zijn aangesloten.

4 ATTENUATOR-keuzeschakelaar

Hiermee kan het toegestane ingangsniveau voor de gebalanceerde XLR-ingangen (BAL 1 en BAL 2-aansluitingen) worden ingesteld. Raadpleeg "Het volumenniveau aanpassen" (pagina 270) voor meer informatie.

BYPASS: het toegestane ingangsniveau verandert niet. Meestal selecteert u deze optie.

ATT. (-6 dB): ingangsevoeligheid wordt verlaagd met 6 dB om het toegestane ingangsniveau te verhogen. Selecteer deze optie als het geluid van de audio-uitgang van de aangesloten component vervormt.

5 PHASE-keuzeschakelaar

Bepaalt de positie van de HOT-pin voor de gebalanceerde XLR-ingangen (BAL 1 en BAL 2-aansluitingen).

NORMAL: Pin #2 is HOT.

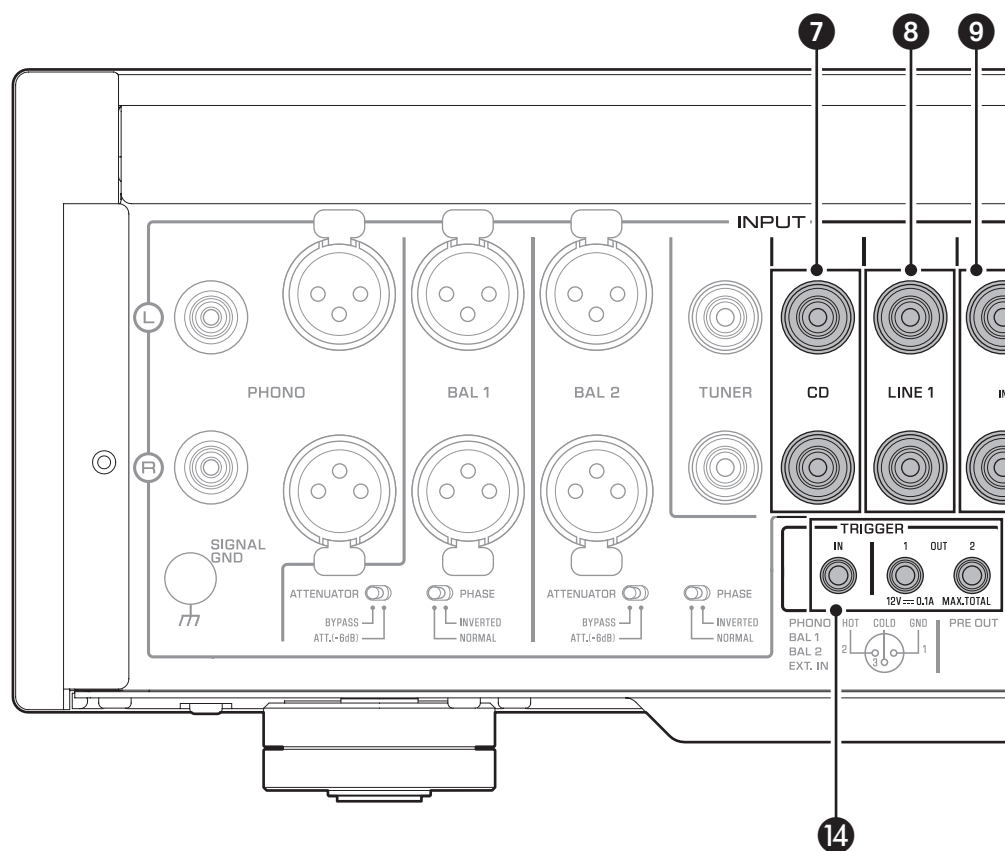
INV.: Pin #3 is gespecificeerd als HOT.

Raadpleeg "Gebalanceerde en ongebalanceerde aansluitingen" (pagina 254) voor meer informatie.

6 TUNER-aansluitingen

Dit zijn RCA-ingangen. Als de INPUT-keuzeschakelaar is ingesteld op TUNER, vormen de signalen van deze aansluitingen de signaalbron. Sluit hier uw tuner aan.

Achterpaneel



7 CD-aansluitingen

Dit zijn RCA-ingangen. Als de INPUT-keuzeschakelaar is ingesteld op CD, vormen de signalen van deze aansluitingen de signaalbron. Sluit hier uw cd-speler aan.

8 LINE 1-aansluitingen

Dit zijn RCA-ingangen. Als de INPUT-keuzeschakelaar is ingesteld op LINE 1, vormen de signalen van deze aansluitingen de signaalbron.

9 LINE 2 IN-aansluitingen

Dit zijn RCA-ingangen. Als de INPUT-keuzeschakelaar is ingesteld op LINE 2, vormen de signalen van deze aansluitingen de signaalbron.

10 LINE 2 OUT (opname)-aansluitingen

Dit zijn RCA-ingangen voor opname. Deze aansluitingen verzenden normaliter het ingangssignaal dat is geselecteerd op het voorpaneel of met de afstandsbediening. Raadpleeg “Een opnamecomponent aansluiten” (pagina 262) voor informatie over de aansluitprocedure.

Opmerking

- Sluit de LINE 2 IN-aansluitingen en de LINE 2 OUT (opname)-aansluitingen aan op dezelfde component.
- De LINE 2 OUT (opname)-aansluitingen verzenden geen signaal als de INPUT-keuzeschakelaar is ingesteld op LINE 2 of als de EXT. DIRECT-schakelaar is ingedrukt.

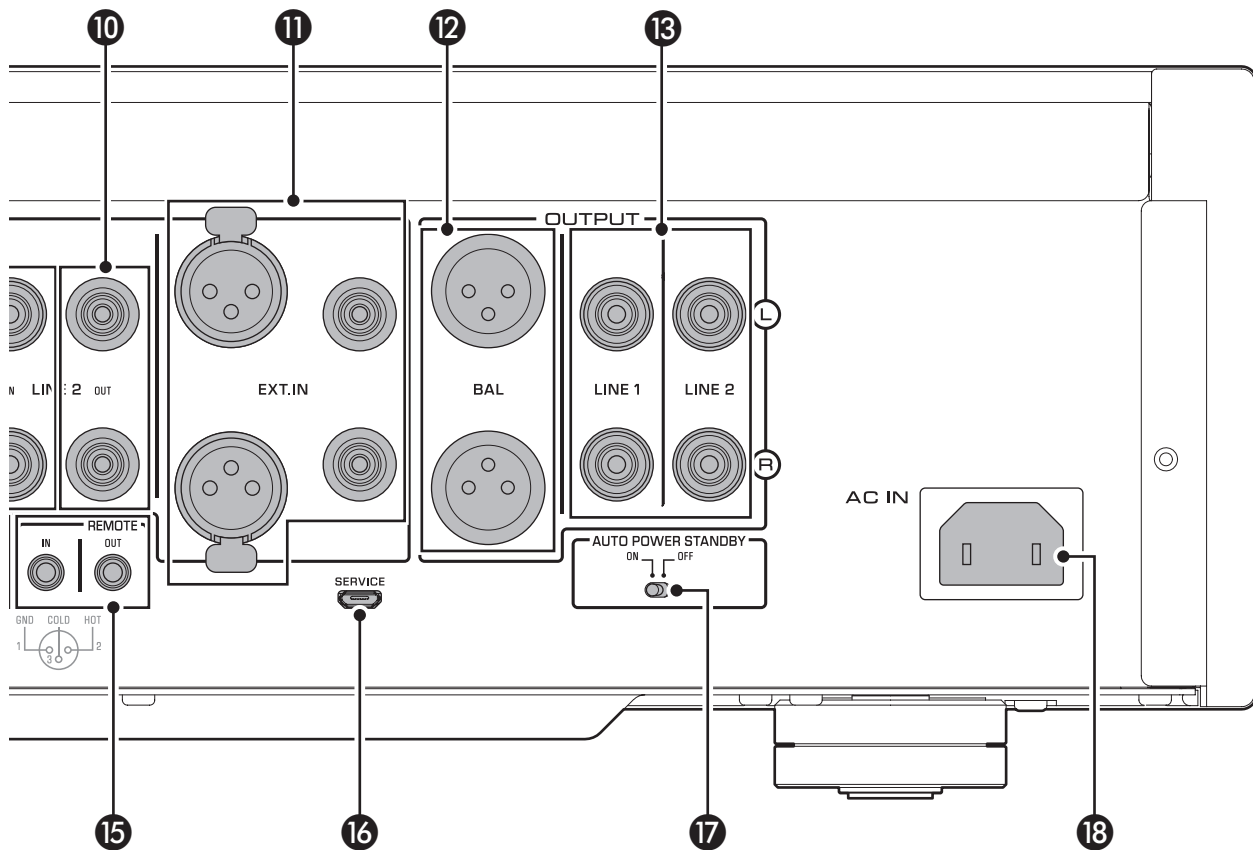
11 EXT.IN-aansluitingen

Deze aansluitingen zijn er in de vorm van XLR-ingangen en RCA-ingangen. Als de EXT. DIRECT-schakelaar is ingedrukt, vormen de signalen van deze aansluitingen de signaalbron. Sluit hierop uw voorversterker aan. Raadpleeg “Een andere voorversterker aansluiten” (pagina 263) voor meer informatie.



VOORZICHTIG

Het volumeniveau van de signalen die binnenkomen via EXT. IN-aansluitingen. Zorg daarom dat op de EXT. IN-aansluitingen een component is aangesloten met een volumeregeling.



Opmerking

Het volumeniveau is vast. Het bedienen van de VOLUME-regelaar of GAIN-keuzeschakelaar op dit toestel verandert het volume van het signaal via de EXT. IN-aansluitingen. Stel het volume in met de volumeregeling van de externe component die is verbonden met de EXT. IN-aansluitingen.

12 BAL-aansluitingen

Dit zijn gebalanceerde uitgangen van het type XLR. Verbind deze aansluitingen met de gebalanceerde ingangen op de eindversterker.

13 LINE 1/LINE 2-aansluitingen

Dit zijn RCA-uitgangen. Verbind deze aansluitingen met de RCA-ingangen op de eindversterker.

14 TRIGGER IN/TRIGGER OUT-aansluitingen

Dit zijn mono mini-jacks. Sluit hier externe componenten aan die de triggerfunctie ondersteunen. Raadpleeg "Triggeraansluitingen" (pagina 264) voor meer informatie.

15 REMOTE IN/REMOTE OUT-aansluitingen

Dit zijn mono mini-jacks. Sluit hier externe componenten aan die de functie externe bediening ondersteunen. Raadpleeg "Externe verbindingen" (pagina 265) voor meer informatie.

16 SERVICE-aansluiting

Deze aansluiting wordt gebruikt om het product te repareren. Deze wordt zelden gebruikt.

17 AUTO POWER STANDBY-schakelaar

Specificeert of het toestel automatisch in stand-bymodus gaat.

ON: het toestel gaat automatisch in stand-bymodus als het is ingeschakeld, maar gedurende acht uur niet wordt bediend.

OFF: het toestel gaat niet automatisch in stand-bymodus.

18 AC IN-aansluiting

Sluit hier het meegeleverde netsnoer aan. Raadpleeg "Het netsnoer aansluiten" (pagina 266) voor meer informatie.

Gebalanceerde en ongebalanceerde aansluitingen

Dit toestel heeft gebalanceerde XLR-aansluitingen en ongebalanceerde RCA-aansluitingen.

Opmerking

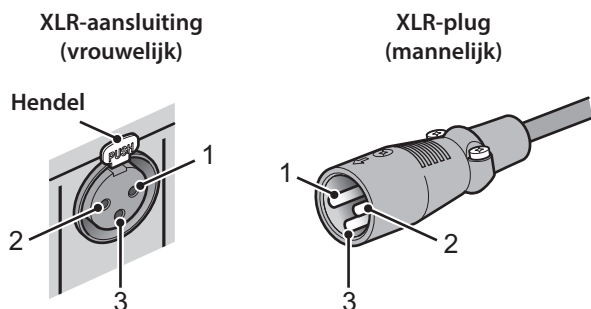
Gebruik geen gebalanceerde en ongebalanceerde aansluitingen tegelijkertijd tussen twee componenten. Dit kan een aardlus veroorzaken die statische elektriciteit en brom kan genereren.

Gebalanceerde verbinding

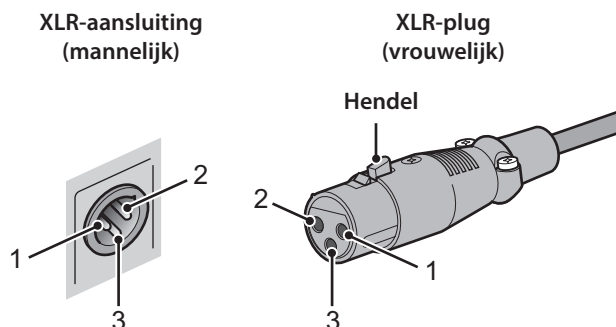
Een gebalanceerde verbinding is ontworpen om ongewenste interferentie te voorkomen en te verhinderen. Omdat langere kabels sneller interferentie oppikken, is een gebalanceerde verbinding nuttig als er langere kabels moeten worden gebruikt. In het algemeen, als uw component beschikt over gebalanceerde uitgangen, kunt u het best een gebalanceerde verbinding gebruiken.

Aansluitingen voor gebalanceerde verbindingen

De XLR-aansluitingen op dit toestel worden gebruikt voor gebalanceerde verbindingen. De ingangen en uitgangen zijn verschillend uitgevoerd. De ingangen zijn vrouwelijk en de uitgangen mannelijk. Voor gebalanceerde verbindingen worden gebalanceerde kabels met XLR-pluggen gebruikt. Sluit een mannelijke plug van de kabel aan op een vrouwelijke aansluiting op het toestel, en een vrouwelijke plug van de kabel op een mannelijke aansluiting op het toestel.



Zorg dat u bij het aansluiten van een kabel op een ingang de pinnen van de plug uitlijnt op de openingen van de aansluiting, en steek daarna de plug in de aansluiting tot u een klik hoort. Verwijder de kabel door het lipje op de ingang in te drukken en vast te houden en zo de mannelijke XLR-connector uit de aansluiting te trekken.



Zorg dat u bij het aansluiten van een kabel op een uitgang de pinnen van de plug uitlijnt met de openingen van de uitgang, en steek daarna de plug in de aansluiting tot u een klik hoort. Verwijder de kabel door het lipje op de vrouwelijke XLR-plug in te drukken en uit de aansluiting te trekken.

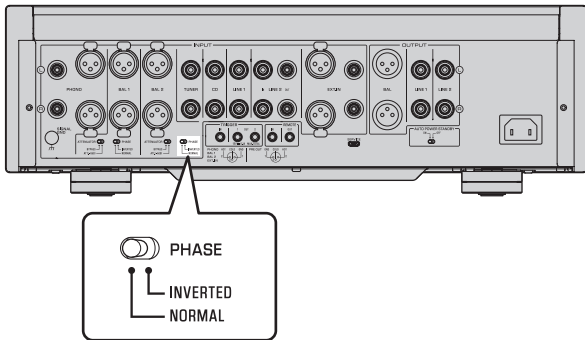
Polariteit gebalanceerde verbinding

Bij het uitvoeren van een gebalanceerde aansluiting moet de polariteit correct worden ingesteld. In het algemeen is pin #2 Hot, maar soms is pin #3 Hot. Raadpleeg de bedieningsinstructies van de aangesloten component voor de positie van de HOT-pin op de gebalanceerde uitgangen.

Gebruik de PHASE-keuzeschakelaar op het achterpaneel om de polariteit van de pinnen van de BAL 1- en BAL 2-ingangen in te stellen.

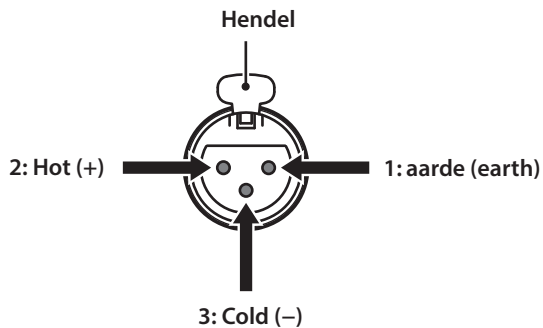
Opmerking

- De PHONO en EXT. IN-aansluitingen hebben geen PHASE-schakelaar. De pinpolariteit van deze aansluitingen is standaard en vast.
- Pin #2 is Hot op Yamaha spelers.



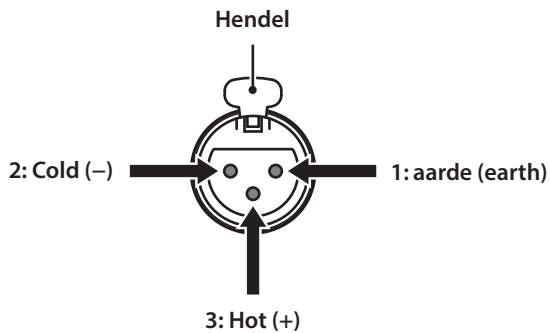
Als de PHASE-keuzeschakelaar is ingesteld op NORMAL is pin #2 HOT.

XLR-ingangen

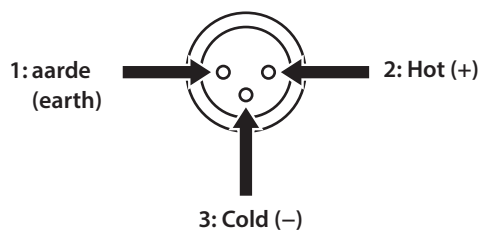


Als de PHASE-keuzeschakelaar is ingesteld op INVERTED is pin #3 Hot.

XLR-ingangen

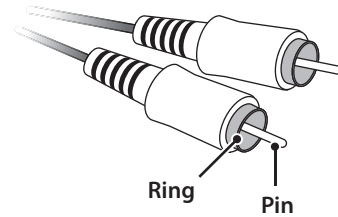


XLR-uitgang

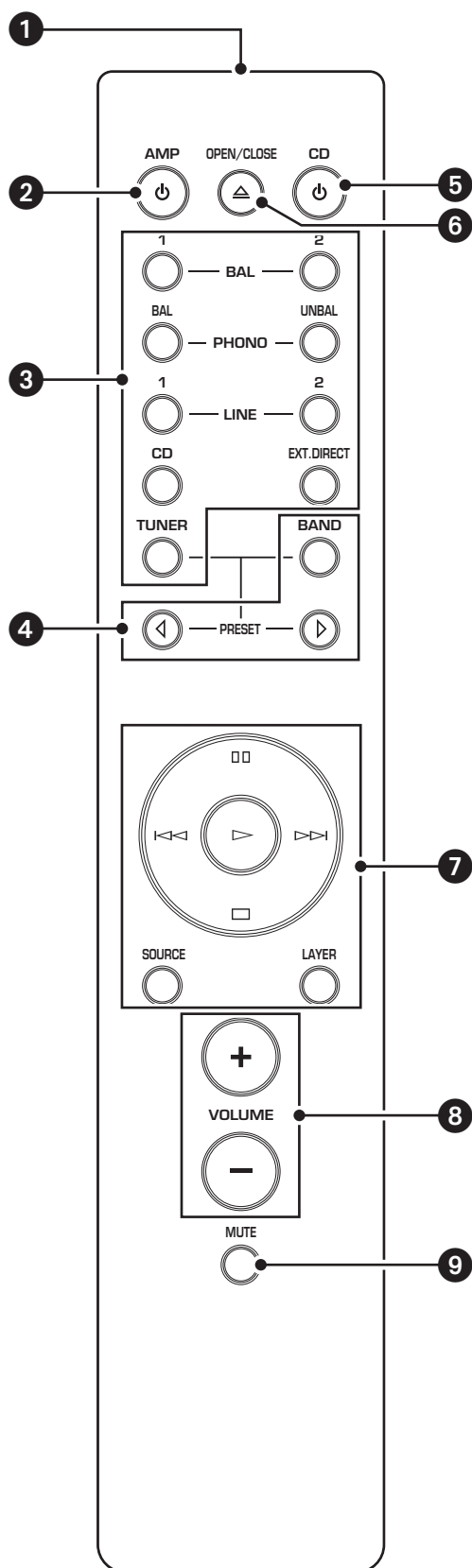


Ongebalanceerde verbinding

Als u een audiocomponent aansluit die alleen standaard RCA-aansluitingen heeft, gebruik dan de RCA-aansluitingen op dit toestel voor een ongebalanceerde verbinding. Voor ongebalanceerde verbindingen worden ongebalanceerde kabels met RCA-pluggen gebruikt. Deze aansluitingen en pluggen hebben geen mannelijke of vrouwelijke vorm en ook geen verschillende polariteiten.



Afstandsbediening



1 Infraroodzender

Deze produceert de infrarode bedieningssignalen naar het toestel.

2 AMP-toets

Het toestel inschakelen of naar stand-by-modus schakelen. Raadpleeg voor meer informatie over stand-by-modus “Voorpaneel” (pagina 246).

3 Signaalbron selectietoetsen

Hiermee selecteert u de weer te geven signaalbron.

BAL: Hiermee selecteert u de component die verbonden is met de XLR-aansluitingen BAL 1 of BAL 2 als signaalbron.

PHONO: Hiermee selecteert u de draaitafel die verbonden is met de PHONO-aansluitingen (XLR of RCA) als signaalbron. Druk op de BAL-toets om de bron voor de XLR-aansluitingen of de UNBAL-toets om de bron voor de RCA-aansluitingen te selecteren.

LINE: Hiermee selecteert u de component die verbonden is met de RCA-aansluitingen LINE 1 of LINE 2 als signaalbron.

EXT. DIRECT: Selecteert de component verbonden met de EXT. IN-aansluitingen als signaalbron. Als EXT. DIRECT is geselecteerd als signaalbron worden er audiosignalen verzonden naar de LINE 2 OUT- of PHONES-aansluitingen.



CD: Hiermee selecteert u de component (meestal een cd-speler) die verbonden is met de RCA-aansluitingen CD als signaalbron.

TUNER: Hiermee selecteert u de component (meestal een tuner) die verbonden is met de RCA-aansluitingen TUNER als signaalbron.

Opmerking

De audiosignalen van de geselecteerde signaalbron worden gereproduceerd via de LINE 2 OUT (opname)-aansluitingen. Als LINE 2 is geselecteerd als signaalbron worden er audiosignalen verzonden naar de LINE 2 OUT (opname)-aansluitingen.

4 Bedieningstoetsen tuner

Hiermee kunt u de functies van de aangesloten Yamaha tuner bedienen. Schakel met de BAND-toets de ontvangstfrequentieband over en selecteer met de PRESET  -toetsen een voorkeuzestation. Raadpleeg voor meer informatie de gebruikershandleiding van de tuner.

Opmerking

Sommige Yamaha tuners ondersteunen deze toetsfuncties mogelijk niet.

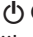

5 CD-toets

Schakelt een aangesloten Yamaha cd-speler in, of schakelt deze naar stand-by-modus.

6 OPEN/CLOSE-toets

Opent of sluit de disklade van een aangesloten Yamaha cd-speler. Raadpleeg voor meer informatie de gebruikershandleiding van de cd-speler.

Opmerking

Sommige Yamaha cd-spelers ondersteunen deze  CD-toets en/of  OPEN/CLOSE toetsfuncties mogelijk niet.



7 Bedieningstoetsen cd-speler

Hiermee kunt u de functies van de aangesloten Yamaha cd-speler bedienen. Raadpleeg voor meer informatie de gebruikershandleiding van de cd-speler.

(Weergave)

Hiermee begint u de weergave.

(Pauze)

Hiermee pauzeert u de weergave. Druk op  of  om het afspelen voort te zetten.

(Stop)

Hiermee stopt u de weergave.

(Overslaan)

Gaat verder naar de volgende track, of gaat terug naar het begin van de huidige track.

SOURCE-toets

Selecteert de bron die moet worden afgespeeld op de Yamaha cd-speler. De weergavebron verandert telkens u op deze toets drukt.

LAYER-toets

Schakelt de weergavelaag van een hybride super audio-cd om tussen "Super audio CD" en "CD."

Opmerking

Sommige Yamaha cd-spelers ondersteunen deze toetsfuncties mogelijk niet.

8 VOLUME +/- toetsen

Passen het volumeniveau aan.

Opmerking

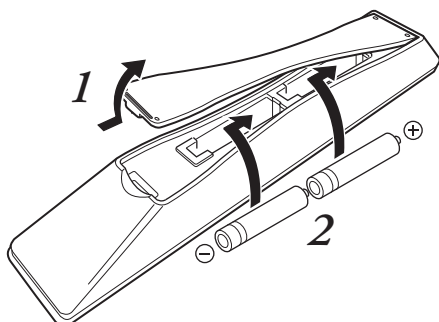
De toetsen VOLUME +/- op de afstandsbediening beïnvloeden het volume niet als EXT. DIRECT is geselecteerd als signaalbron. Om het volumeniveau aan te passen gebruikt u de volumeregelaar op de externe versterker die is aangesloten op de EXT. IN-aansluitingen.

9 MUTE-toets

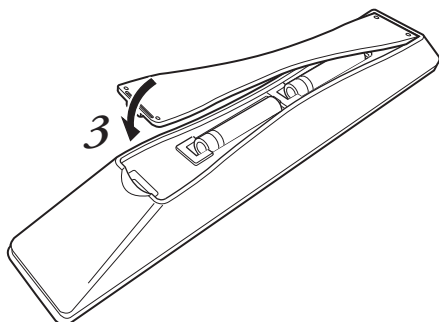
Reduceert het huidige volume met ongeveer 20 dB. Druk nogmaals op deze toets om de geluidswaardering op het oorspronkelijke volume voort te zetten. Indrukken van de toets VOLUME + of - op de afstandsbediening annuleert ook het dempen.

Inzetten van batterijen in de afstandsbediening

- 1 Verwijder de klep van het batterijvak.
- 2 Plaats twee batterijen (AAA, R03, UM-4) in het vak met de polen (+ en -) de goede kant op, zoals aangegeven in het batterijvak.



- 3 Plaats de klep van het batterijvak terug.



WAARSCHUWING

- Gooi de batterijen niet in open vuur en stel ze niet bloot aan hoge temperaturen, zoals direct zonlicht of open vlammen. Anders kan de batterij exploderen, wat brand of letsel kan veroorzaken.
- Laad geen niet-oplaadbare batterijen op. Anders kunnen batterijen exploderen of lekken, wat blindheid, chemische brandwonden of ander letsel kan veroorzaken.
- Als een batterij lekt, raak de vloeistof dan niet aan. Anders bestaat het gevaar op blindheid of chemische brandwonden. Als uw ogen, mond of huid in contact komen met de vloeistof, was deze plek dan onmiddellijk af met water en raadpleeg een arts.

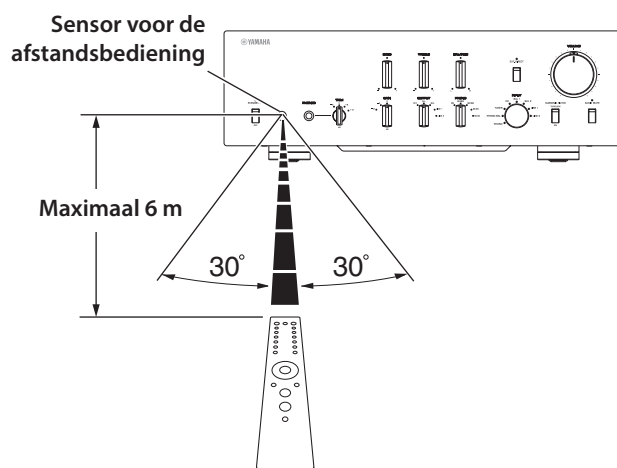


VOORZICHTIG

- Gebruik geen oude en nieuwe batterijen tegelijkertijd. Anders kunnen brand, brandwonden of irritatie ontstaan als gevolg van lekkende batterijvloeistof.
- Gebruik nooit twee verschillende typen batterijen tegelijkertijd. Als u bijvoorbeeld alkaline- en mangaanbatterijen tegelijk gebruikt, of twee batterijen van verschillende fabrikanten of met verschillende productnummers kunnen brand, brandwonden of huidirritatie ontstaan als gevolg van lekkende batterijvloeistof.
- Berg batterijen op buiten het bereik van kinderen. Anders kan een kind de batterij per ongeluk inslikken. Ook kan lekkende batterijvloeistof huidirritatie veroorzaken.
- Plaats de twee batterijen volgens de polariteitmarkeringen (+ en -). Anders kunnen brand, brandwonden of huidirritatie ontstaan als gevolg van lekkende batterijvloeistof.
- Wanneer u de afstandsbediening voor langere tijd niet gebruikt of als de batterijen helemaal leeg zijn, verwijder deze dan uit de afstandsbediening. Anders raken alle batterijen uiteindelijk op en gaan ze lekken, wat huidirritatie of schade aan de afstandsbediening kan veroorzaken.

De afstandsbediening bedienen

Zorg dat u de afstandsbediening rechtstreeks op de afstandsbedieningssensor op het voorpaneel van dit toestel richt.



Aansluitingen

In dit gedeelte wordt het aansluiten van het toestel op een audiobron, zoals een tuner of cd-speler, en een eindversterker behandeld.



VOORZICHTIG

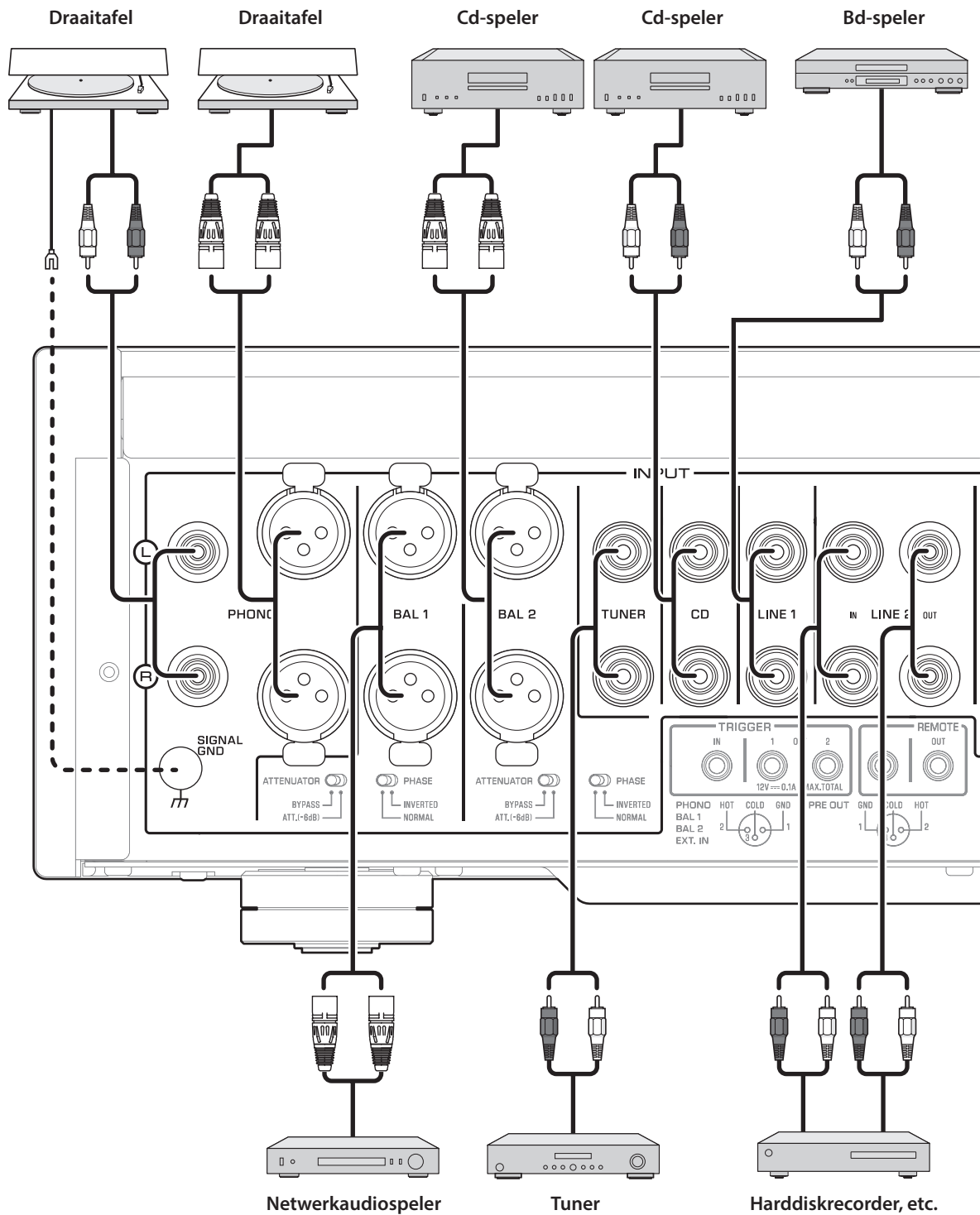
Schakel alle componenten uit, alvorens aansluitingen te realiseren.

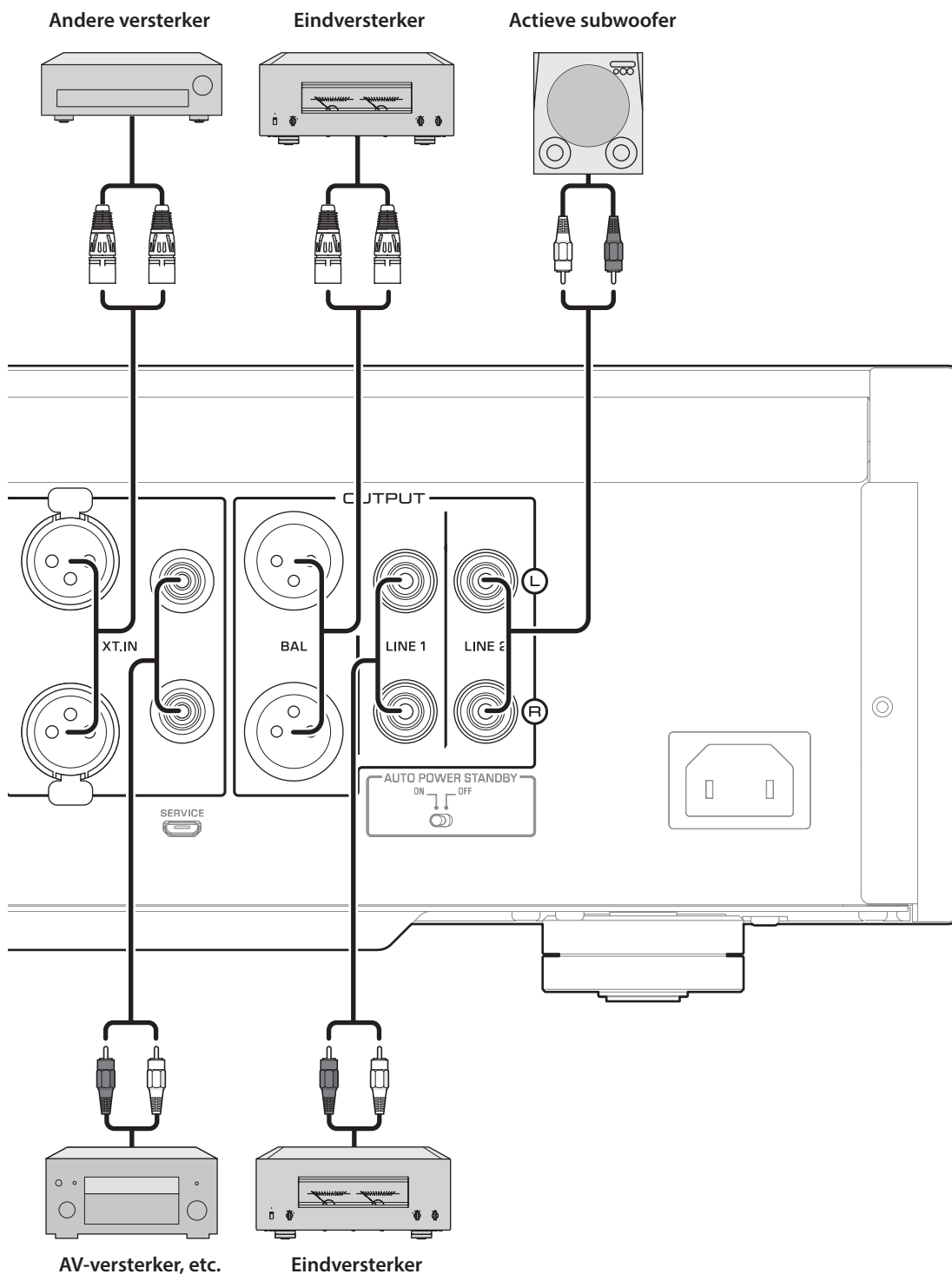
LET OP

- Gebruik geen gebalanceerde en ongebalanceerde aansluitingen tegelijkertijd tussen twee componenten. Dit kan een aardlus veroorzaken die statische elektriciteit en brom kan genereren.
- Als u van plan bent externe componenten aan te sluiten, lees dan de bedieningsinstructies van deze componenten en volg deze op. Anders kunnen dit toestel of externe componenten mogelijk storingen vertonen.

C-5000

Een externe component aansluiten





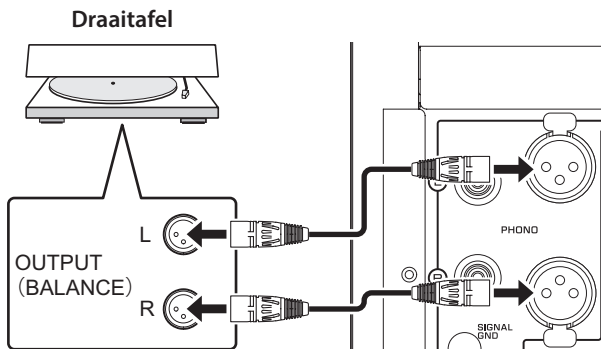
LET OP

Gebruik geen gebalanceerde en ongebalanceerde aansluitingen tegelijkertijd tussen twee componenten. Dit kan een aardlus veroorzaken die statische elektriciteit en brom kan genereren.

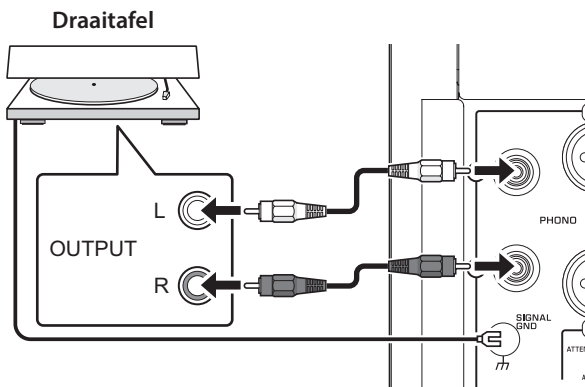
Een draaitafel aansluiten

Sluit uw draaitafel aan op de PHONO-aansluitingen van dit toestel. Dit toestel heeft gebalanceerde XLR-aansluitingen en ongebalanceerde RCA-ingangen.

Gebalanceerd aansluiting



Ongebalanceerde aansluiting



Opmerking

Als u de draaitafel aansluit op de RCA-aansluitingen van dit toestel, luister dan naar het geluid en vergelijk het geluid met de SIGNAL GND (ground)-aansluiting aangesloten en niet aangesloten, en kies de best klinkende variant.

LET OP

Gebruik geen gebalanceerde en ongebalanceerde aansluitingen tegelijkertijd tussen dit toestel en de draaitafel. Dit kan een aardlus veroorzaken die statische elektriciteit en brom kan genereren.

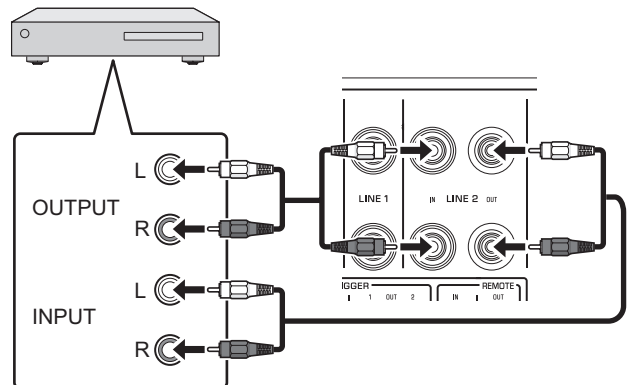
Een opnamecomponent aansluiten

U kunt een opnameapparaat aansluiten op het toestel, zoals een hardeschijfrecorder, en het signaal van de audio-uitgang opnemen. Sluit de opnamecomponenten aan op zowel de LINE 2 IN-aansluiting als de LINE 2 OUT (opname)-aansluiting.

Opmerking

- Zorg dat u de LINE 2 IN-aansluitingen en de LINE 2 OUT (opname)-aansluitingen op dezelfde component aansluit.
- Het signaal van de LINE 2 OUT (opname)-aansluiting is in principe identiek aan het signaal van de uitgangen die zijn gekozen met de OUTPUT-keuzeschakelaar. Als de INPUT-keuzeschakelaar is ingesteld op LINE 2, wordt er geen uitgangssignaal verzonden via de LINE 2 OUT (opname)-aansluitingen.

Harddiskrecorder, etc.



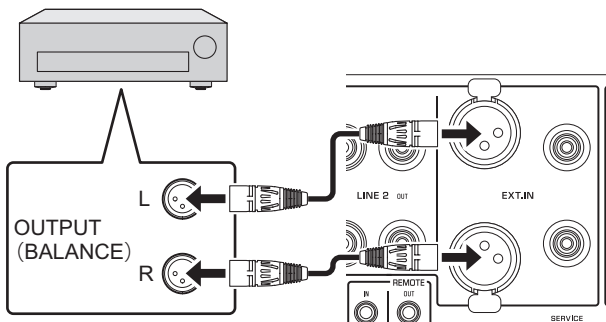
Een andere voorversterker aansluiten

Als u de uitgang van een andere voorversterker aansluit op de EXT. IN-aansluitingen op dit apparaat en drukt op de EXT. DIRECT-schakelaar, gaat het bronsignaal door het toestel en wordt verzonden naar de aangesloten eindversterker. Het bronsignaal dat binnenkomt op de gebalanceerde EXT. IN-aansluitingen wordt verzonden via de gebalanceerde BAL-aansluitingen. Het bronsignaal dat binnenkomt op de ongebalanceerde EXT. IN-aansluitingen wordt verzonden via de LINE 1- en LINE 2-aansluitingen.

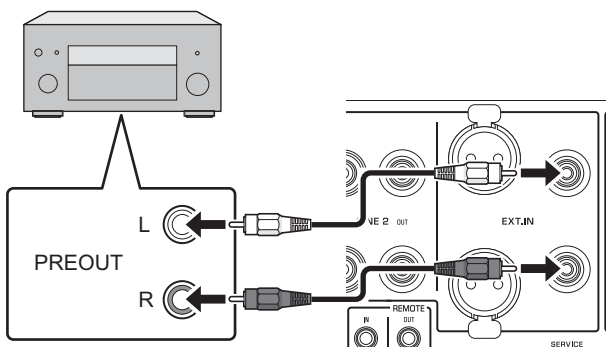
Opmerking

Als de EXT. DIRECT-schakelaar is ingeschakeld hoort u geen geluid uit de hoofdtelefoon die is aangesloten op de PHONES-aansluiting.

Andere versterker



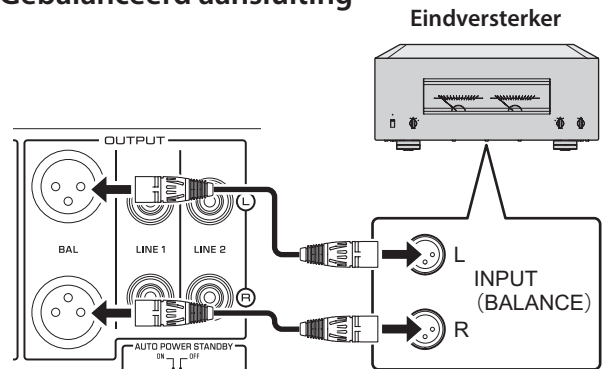
AV-versterker, etc.



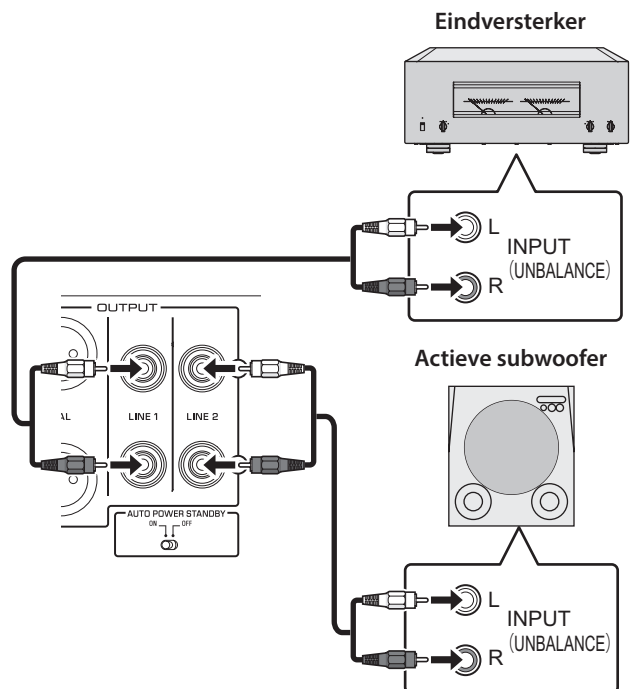
Een eindversterker en actieve subwoofer aansluiten

U kunt een eindversterker en een actieve subwoofer aansluiten op de BAL, LINE 1, of LINE 2-uitgangen van dit toestel.

Gebalanceerd aansluiting



Ongebalanceerde aansluiting



LET OP

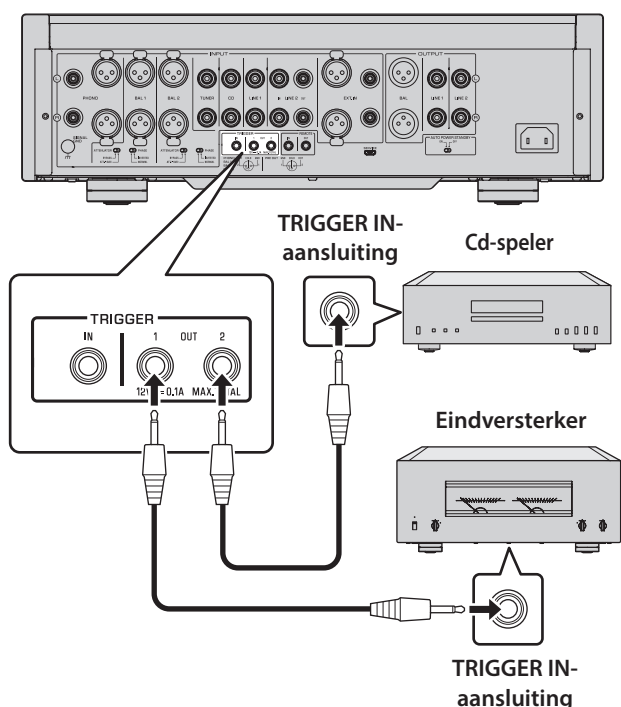
Gebruik geen gebalanceerde en ongebalanceerde aansluitingen tegelijkertijd tussen twee componenten. Dit kan een aardlus veroorzaken die statische elektriciteit en brom kan genereren.

Triggeraansluitingen

Het bedienen van aan- en uitzetten van een aangesloten component, zoals een eindversterker, gesynchroniseerd met dit toestel

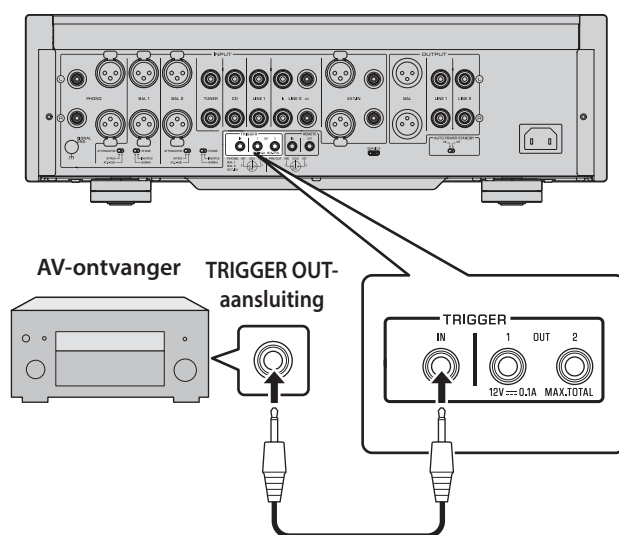
U kunt het aan- en uitzetten van een aangesloten component bedienen, zoals een Yamaha cd-speler of eindversterker, gesynchroniseerd met dit toestel.

Gebruik een systeemkabel om de TRIGGER OUT-aansluiting van dit toestel aan te sluiten op de TRIGGER IN-aansluiting van de aangesloten component.



Het in- en uitschakelen van dit toestel synchroniseren met een aangesloten component, zoals een AV-receiver

U kunt het in- en uitschakelen van dit toestel synchroniseren met een aangesloten component, zoals een Yamaha AV-receiver. Gebruik een optionele systeemkabel om de TRIGGER IN-aansluiting van dit toestel aan te sluiten op de TRIGGER OUT-aansluiting van de aangesloten component. Zelfs als het toestel zich in stand-by-modus bevindt, wordt door het inschakelen van de aangesloten component ook het toestel ingeschakeld, en het signaal van de EXT. IN-aansluitingen wordt geselecteerd als de signaalbron. Als de aangesloten component wordt uitgeschakeld, schakelt dit toestel over op stand-by-modus.



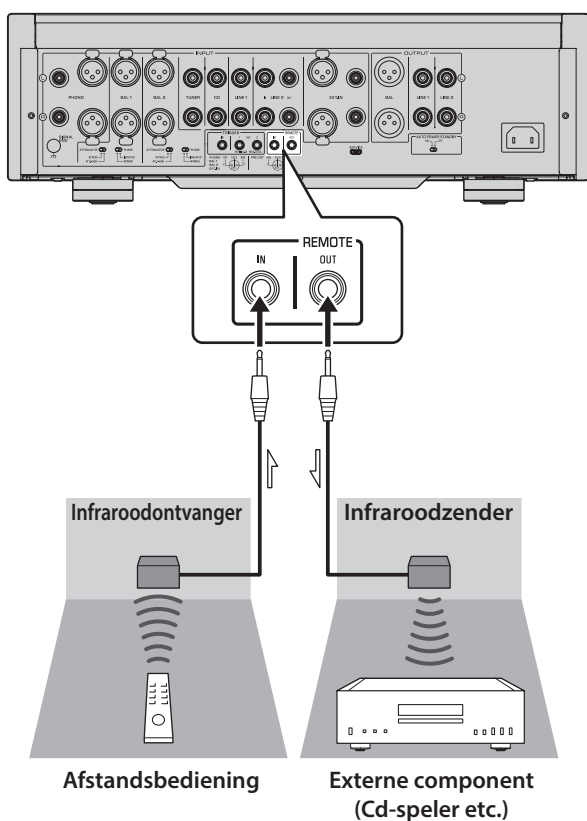
Opmerking

- Als de aan/uit-schakelaar van dit toestel op OFF staat, wordt dit toestel niet getriggerd vanaf een aangesloten component,
- tenzij de ingangsbron is geselecteerd via de EXT. DIRECT-schakelaar. Uitschakelen van de aangesloten component schakelt dit toestel niet uit.

Externe verbindingen

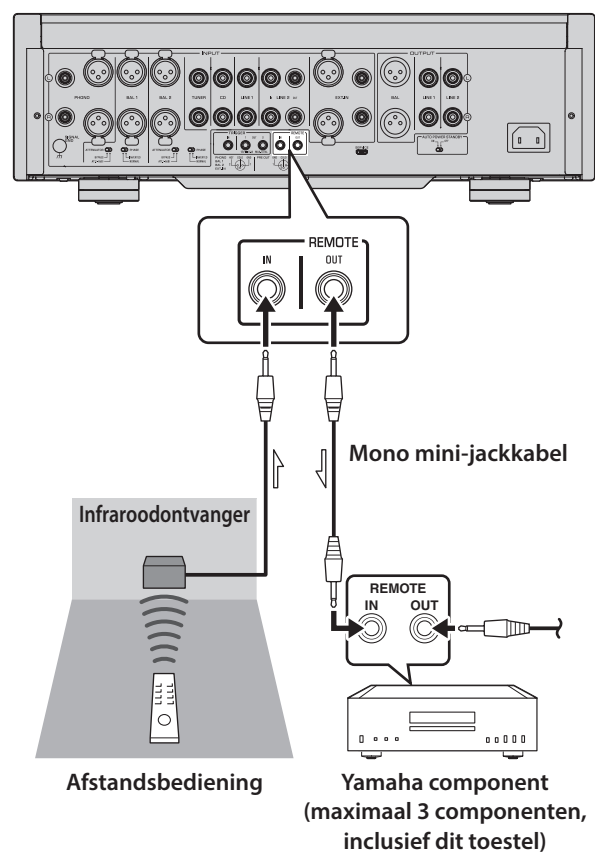
Het toestel vanuit een andere kamer bedienen

Als u een infraroodontvanger en -zender op de REMOTE IN/OUT-aansluitingen van dit toestel aansluit, kunt u vanuit een andere kamer het toestel en/of een externe component vanuit een andere kamer bedienen met behulp van de meegeleverde afstandsbediening.



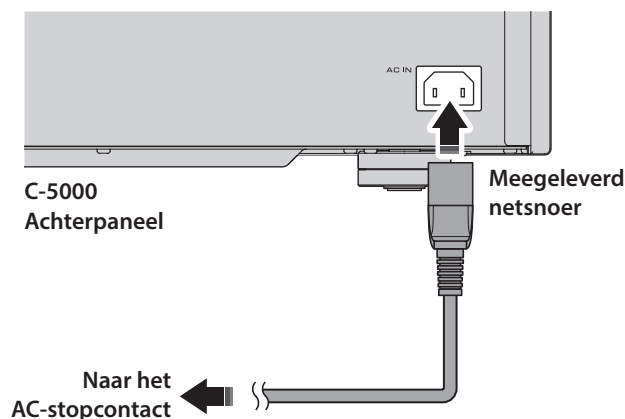
Afstandsverbinding tussen Yamaha-componenten

Wanneer u over een andere Yamaha-component beschikt die afstandsverbinding ondersteunt, zoals bij dit toestel, dan is een infraroodzender niet nodig. U kunt afstandsbedieningssignalen verzenden door een infraroodontvanger aan te sluiten op de REMOTE IN-aansluiting van het toestel, en de REMOTE IN-aansluiting van de andere component op de REMOTE OUT-aansluiting van dit toestel, met mono mini-jackkabels. Maximaal drie Yamaha componenten (inclusief dit toestel) kunnen worden geconfigureerd voor afstandsverbinding.



Het netsnoer aansluiten

Zorg nadat alle aansluitingen voltooid zijn dat de STANDBY/ON/OFF (Power)-schakelaar op uit staat, sluit vervolgens het netsnoer aan op de AC IN-aansluiting van het toestel en steek daarna de stekker in het stopcontact.



WAARSCHUWING

- Als zich een van de volgende onregelmatigheden voordoet, schakel het apparaat dan onmiddellijk uit en trek de stekker uit het stopcontact.
 - Het netsnoer is beschadigd.
 - Het toestel verspreidt een vreemde geur, een vreemd geluid of rook.
 - Er is vloeistof gemorst of er zijn objecten in het toestel gevallen.
 - Het geluid wordt tijdens bediening plotseling onderbroken.
 - Het toestel is gebarsten of beschadigd.

Anders kan voortgezet gebruik van het toestel elektrische schokken, brand of storingen tot gevolg hebben. Neem contact op met uw dichtstbijzijnde Yamaha dealer of service center voor controle of reparatie.

- Raak tijdens onweer het netsnoer of de stekker niet aan. Anders kan er zich een elektrische schok voordoen.
- Zorg dat u een stopcontact gebruikt met het op het toestel vermelde voltage. Als het toestel wordt aangesloten op een stopcontact met het verkeerde voltage kunnen brand, elektrische schokken of storingen het gevolg zijn.
- Gebruik alleen het meegeleverde netsnoer. Gebruik het meegeleverde netsnoer niet voor andere apparaten. Anders kunnen er brand, brandplekken of storingen ontstaan.
- Sluit het toestel aan op een stopcontact dat duidelijk zichtbaar en makkelijk bereikbaar is, zodat het toestel in geval van nood snel en makkelijk van het stopcontact kan worden losgekoppeld. Zelfs als de aan/uit-schakelaar op uit staat, stroomt er een minieme hoeveelheid stroom naar het toestel, tenzij u de stekker uit het stopcontact trekt.

- Als er onweer op komst is, schakel het apparaat dan onmiddellijk uit en trek de stekker uit het stopcontact. Anders kunnen er brand of storingen ontstaan.
- Wanneer u dit toestel voor langere tijd niet gebruikt dient u het uit te schakelen en de stekker uit het stopcontact te halen. Anders kunnen er brand of storingen ontstaan.

VOORZICHTIG

- Gebruik geen stopcontact waarin de stekker niet goed blijft zitten. Anders kunnen er brand, elektrische schokken of brandplekken ontstaan.
- Trek het netsnoer altijd met de stekker uit het stopcontact en niet aan het snoer. Anders kan het netsnoer beschadigen, wat tot een elektrische schok of brand kan leiden.
- Steek de stekker stevig en helemaal in het stopcontact. Als de stekker niet helemaal in het stopcontact wordt gestoken kan het gebruik van het toestel een elektrische schok veroorzaken. Of er kan zich vuil op de stekker vormen, wat brand of brandplekken kan veroorzaken.

LET OP

Wanneer u dit toestel voor langere tijd niet gebruikt dient u het uit te schakelen en de stekker uit het stopcontact te halen. Zelfs als de STANDBY/ON/OFF-schakelaar op uit staat (de aan/uit-indicator is donker), stroomt er een minieme hoeveelheid stroom naar het toestel.

Bediening

Dit gedeelte behandelt de basisbedieningshandelingen.
Met deze procedures haalt u het meeste uit de functies van dit toestel.
Deze procedures zijn alleen bedoeld als voorbeeld.

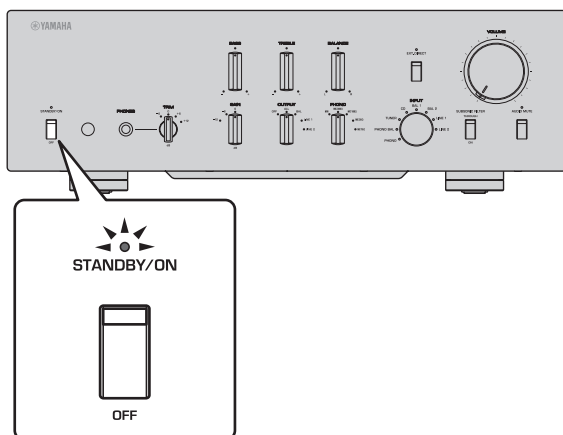
Het toestel inschakelen



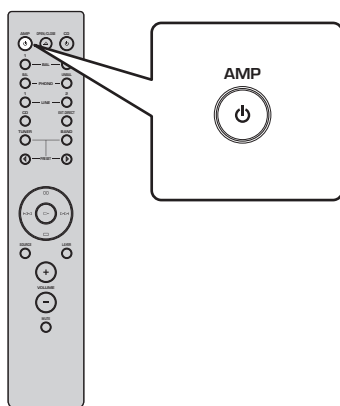
VOORZICHTIG

Zorg dat het volumeniveau is verlaagd tot het minimum, alvorens in te schakelen.

Schakel het toestel in door de schakelaar STANDBY/ON/OFF (aan/uit) op het voorpaneel op STANDBY/ON te zetten.



Als het toestel in stand-by modus staat, kunt u het ook inschakelen met behulp van de afstandsbediening.



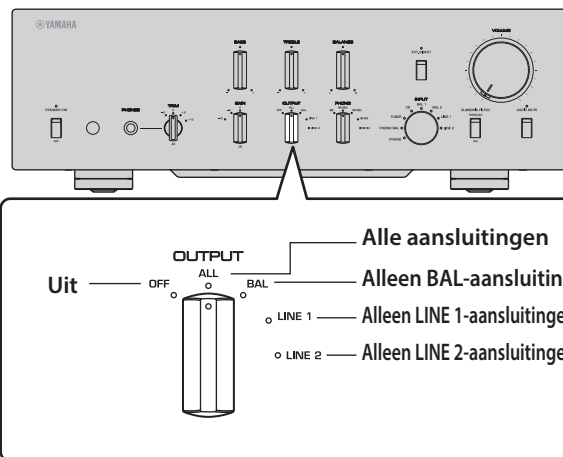
LET OP

Schakel de componenten in deze volgorde in: eindversterker, voorversterker (dit toestel), andere componenten (zoals een cd speler en tuner).

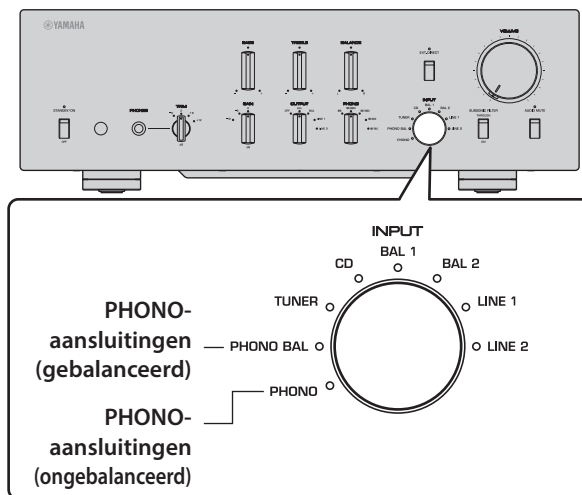
Gebruik bij het uitschakelen de omgekeerde volgorde.

De ingang en uitgang selecteren

Selecteer één paar uitgangen met de OUTPUT-keuzeschakelaar.

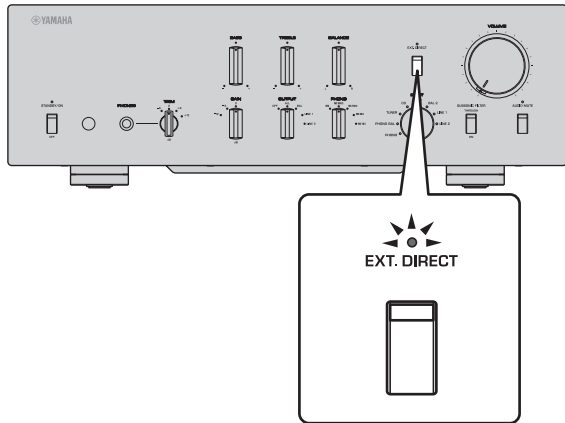


Selecteer de audiobron met de INPUT-keuzeschakelaar.



De betreffende indicators gaan branden.

De ingang vanaf de EXT.IN-aansluitingen selecteren



Druk op de EXT. DIRECT-schakelaar. De EXT. DIRECT-indicator gaat branden. De instelling van de INPUT-keuzeschakelaar wordt uitgeschakeld en de audiobron van de EXT. IN-aansluitingen wordt verzonden naar één paar uitgangen. Het bronsignaal bij de gebalanceerde ingangen wordt verzonden naar de gebalanceerde BAL-uitgangen. Het bronsignaal bij de LINE-ingangen wordt verzonden naar de LINE 1 en LINE 2-uitgangen.

Als u de EXT. DIRECT-schakelaar indrukt of aan de INPUT-keuzeschakelaar draait, wordt het signaal dat is gespecificeerd bij de INPUT-keuzeschakelaar de signaalbron. De EXT. DIRECT-indicator uit.

Opmerking

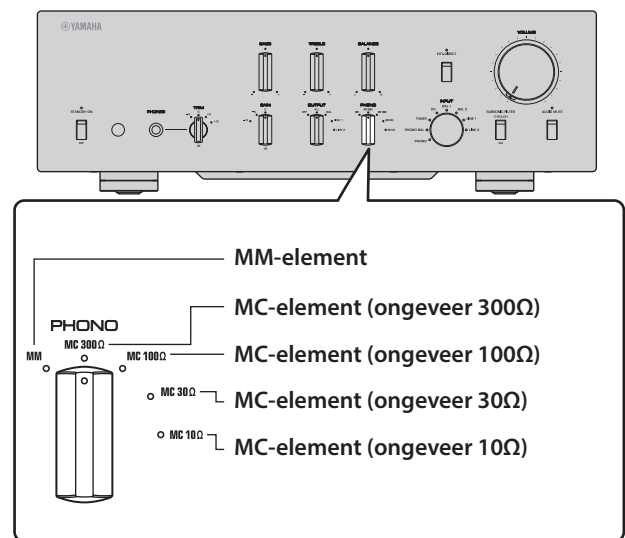
Als EXT. DIRECT is geselecteerd, wordt er geen signaal verzonden naar de LINE 2 OUT (opname)-aansluitingen, noch op de PHONES-aansluiting.

De inganginstelling van de draaitafel aanpassen

PHONO-keuzeschakelaar

Stel de PHONO-keuzeschakelaar in volgens het draaitafelement.

Opties voor het draaitafelement



VOORZICHTIG

Als er een MM-element in de draaitafel wordt gebruikt, zet de PHONO-keuzeschakelaar dan op MM.

Opmerking

De impedantie-aanduidingen op de PHONO-keuzeschakelaar geven bij benadering de waarden aan. Luister en vergelijk het geluid van de verschillende impedantie-instellingen om de beste optie te selecteren.

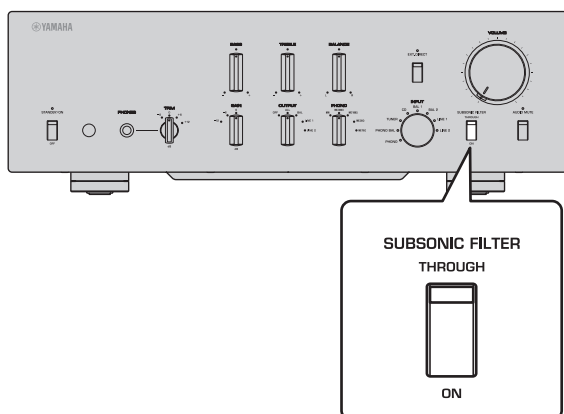
LET OP

Schakel dit toestel uit alvorens het element te vervangen.

Subsonic filter

Zet de SUBSONIC FILTER-schakelaar aan om zo nodig het subsonic filter toe te passen.

Een resonerende draaitafelarm of een vervormde vinyl grammofoonplaat kan een rumble op zeer lage frequentie (subsonic geluid) veroorzaken die de luidsprekers kan belasten en beschadigen. Een subsonic filter filtert dergelijke geluiden om de luidsprekers te beschermen.

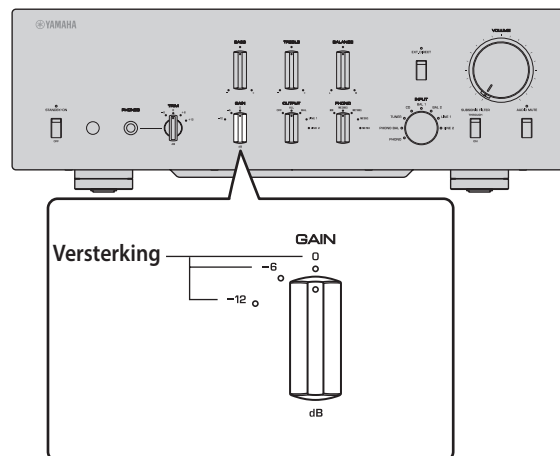


Opmerking

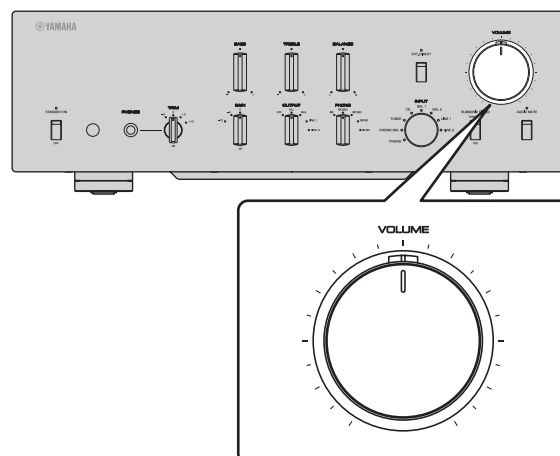
Het subsonic filter is uitgeschakeld als er een andere bron dan de draaitafel (aangesloten op de PHONO-aansluitingen) is geselecteerd als signaalbron, zelfs als de SUBSONIC FILTER-schakelaar op aan staat.

Het volumeniveau aanpassen

Stel de versterking in met de GAIN-keuzeschakelaar, zodat u nauwkeurige aanpassingen van het volume kunt realiseren.

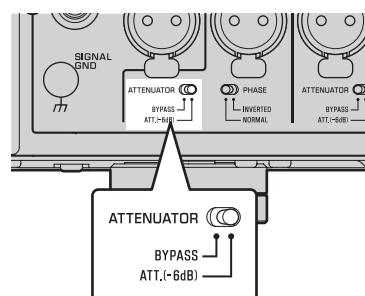


Pas het volumeniveau aan met de VOLUME-regelaar.



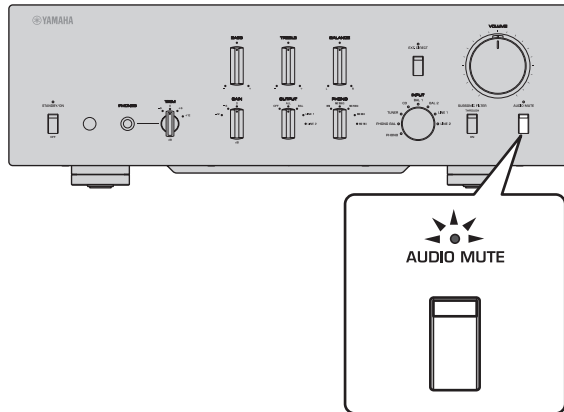
Opmerking

Als u nog steeds vervorming hoort, zelfs als de VOLUME-regelaar is teruggedraaid, overschrijdt het signaal mogelijk het toegestane ingangsniveau. Als de audiobron binnenkomt bij de gebalanceerde ingangen (BAL 1 of BAL 2), stel de ATTENUATOR-keuzeschakelaar dan in op ATT. (-6 dB).



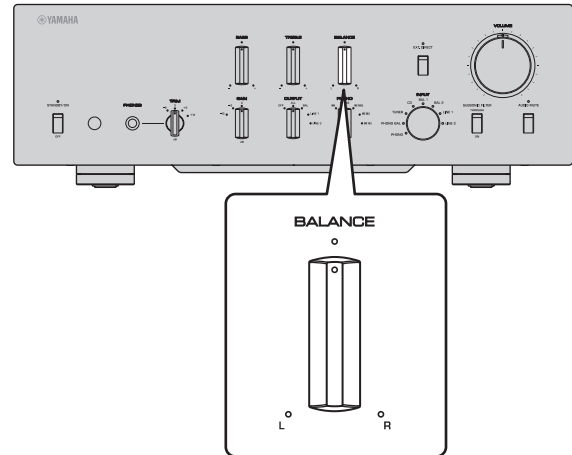
Het volumeniveau tijdelijk verlagen

Druk op de AUDIO MUTE-schakelaar om het huidige volumeniveau met ongeveer 20 dB te verlagen. Druk nogmaals op de schakelaar om het vorige volumeniveau weer te herstellen.

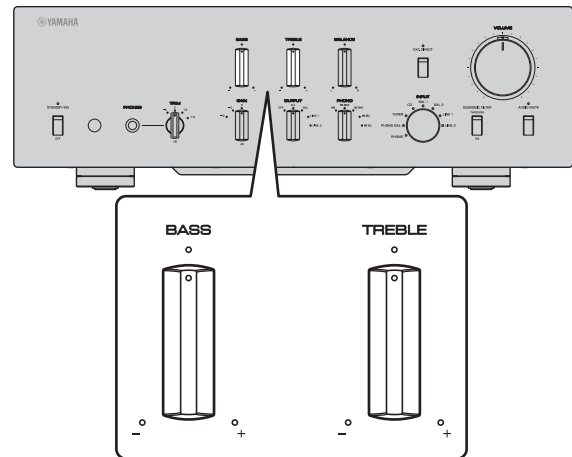


De toon aanpassen

Pas de volumeniveaubalans tussen de linker en rechterluidsprekers aan met de BALANCE-regelaar.



Pas het volumeniveau van de hoge en lage frequentiebereiken aan met de BASS- en TREBLE-regelaars.

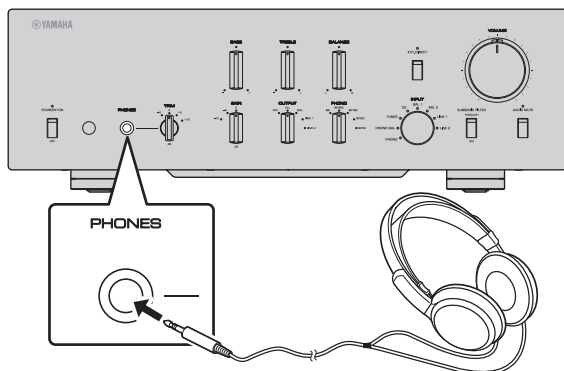


Opmerking

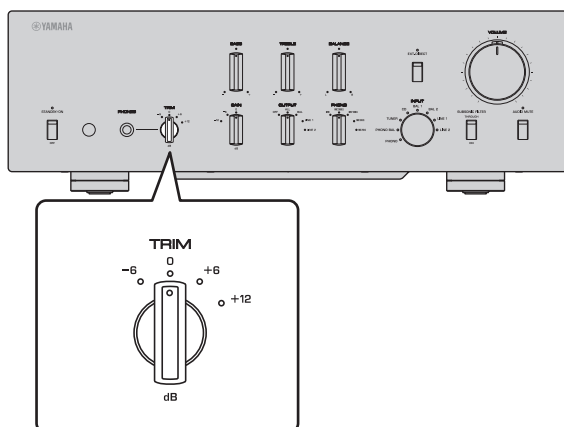
- Als zowel de BASS- als TREBLE-regelaars in het midden staan, passeert het audiosignaal ongewijzigd de toonregeling.
- De instellingen van de BASS-, TREBLE- en BALANCE-regelaars hebben geen invloed op de ingangssignalen van de EXT. IN-aansluitingen noch de uitgangssignalen van de LINE 2 OUT (opname)-aansluiting.

Hoofdtelefoon aansluiten

Als er een hoofdtelefoon is aangesloten op de PHONES-aansluiting, wordt er geen signaal verzonden naar de uitgangen (BAL, LINE 1 en LINE 2) op het achterpaneel.



Gebruik de TRIM-keuzeschakelaar om de versterking van de hoofdtelefoonversterker om te schakelen, zodat u de niveaubalans tussen audio-uitgangssignaal van de PHONES-aansluiting en de luidsprekers kunt aanpassen om plotselinge volumenniveauwijzigingen te vermijden.



Opmerking

Als EXT. DIRECT is geselecteerd, wordt er geen signaal verzonden naar de PHONES-aansluiting.

Referentiemateriaal

C-5000

Algemene specificaties

Gewogen uitgangsspanning/uitgangsimpedantie (ingang 200 mV, 20 Hz tot 20 kHz, THD 0,01%)

BAL (BYPASS).....	2 Vrms/150Ω
BAL (ATT. -6dB).....	1 Vrms/150Ω
LINE 1/LINE 2.....	1 Vrms/150Ω
LINE 2 OUT (opname).....	200 mVrms/1,2 kΩ

Maximaal uitgangsspanning (1 kHz, THD 0,05%)

BAL.....	6 Vrms
LINE 1/LINE 2.....	3 Vrms
LINE 2 OUT (opname).....	3 Vrms

Ingangsgevoeligheid/ingangsimpedantie

BAL/LINE 1/LINE 2, 1 V

BAL 1/BAL 2.....	200 mVrms/52 kΩ
TUNER/CD/LINE 1/LINE 2 IN	200 mVrms/47 kΩ
EXT.IN.....	1 Vrms/20 kΩ

LINE 2 OUT (opname) (150 mV, 1 kHz)

PHONO (MC 300Ω).....	100 μVrms/300Ω
PHONO (MC 100Ω).....	100 μVrms/100Ω
PHONO (MC 30Ω).....	100 μVrms/30Ω
PHONO (MC 10Ω).....	100 μVrms/10Ω
PHONO (MM, XLR-type).....	2,5 mVrms/52 kΩ
PHONO (MM, RCA-type).....	2,5 mVrms/47 kΩ

Maximaal spanning ingangssignaal

LINE 2 OUT (opname) (1 kHz, THD 0,05%)

BAL (BYPASS).....	2,8 Vrms
BAL (ATT. -6dB).....	5,6 Vrms
TUNER/CD/LINE 1/LINE 2 IN.....	2,8 Vrms
PHONO (MC).....	2 mVrms
PHONO (MM).....	50 mVrms
EXT.IN.....	5,6 Vrms

Frequentieresponse (JEITA, belasting 22 kΩ)

10 Hz tot 100 kHz.....	+0/-3 dB
20 Hz tot 20 kHz.....	+0/-0,3 dB

Totale harmonische vervorming met ruis (JEITA, ingang 0,5 V, 20 Hz tot 20 kHz)

BAL 1/BAL 2/TUNER/CD/LINE 1/LINE 2 IN → BAL/LINE 1/LINE 2.....	0,0100%
PHONO (MC) → LINE 2 OUT (opname)	0,0200%
PHONO (MM) → LINE 2 OUT (opname)	0,0200%

Kanaalscheiding

(ingang 1,0 kΩ terminated, 1 kHz/10 kHz, JEITA)

BAL 1/BAL 2/TUNER/CD/LINE 1/LINE 2 IN	110 dB of hoger
PHONO (MC).....	80 dB of hoger
PHONO (MM).....	98 dB of hoger

Functiescheiding

(IHF-A netwerk, ingang 1,0 kΩ terminated, JEITA)

BAL 1/BAL 2/TUNER/CD/LINE 1/LINE 2 IN	110 dB of hoger
PHONO (MC).....	75 dB of hoger
PHONO (MM).....	95 dB of hoger

Signaal/ruis-verhouding

(IHF-A-netwerk, ingang 1,0 kΩ terminated, JEITA)

BAL 1/BAL 2/TUNER/CD/LINE 1/LINE 2 IN	110 dB of hoger
PHONO (MC 300Ω).....	80 dB of hoger
PHONO (MM).....	98 dB of hoger

Restruis (IHF-A-netwerk)

BAL/LINE 1/LINE 2.....	3 μV
------------------------	------

Karakteristieken toonregeling

Bass

Versterken/verzwakken.....	30 Hz/±9 dB
Turnoverfrequentie.....	350 Hz

Treble

Versterken/verzwakken.....	20 kHz/±9 dB
Turnoverfrequentie.....	3,5 kHz

**Nominaal uitgangsvermogen van de
hoofdtelefoonaansluiting (1 kHz, 32Ω, 0,2% THD)**

..... 35 mW + 35 mW

RIAA Equalisatie-deviatie

MC/MM ±0,5 dB

Subsonic filtereigenschappen

MC/MM 15 Hz/−3 dB

Stroomvoorziening

- [Modellen voor de VS en Canada]
..... AC 120 V, 60 Hz
- [Model voor China] AC 220 V, 50 Hz
- [Model voor Korea] AC 220 V, 60 Hz
- [Model voor Australië] AC 240 V, 50 Hz
- [Models voor het Verenigd Koninkrijk en Europa]
..... AC 230 V, 50 Hz
- [Model voor Brazilië]
..... AC 220–240 V, 50 Hz/60 Hz
- [Modellen voor Midden- en Zuid-Amerika
en Taiwan] AC 110 V, 60 Hz

Stroomverbruik

..... 60 W

Stroomverbruik in stand-bystand

- Off modus 0,1 W
- Stand-by-modus 0,2 W

Afmetingen (B x H x D)

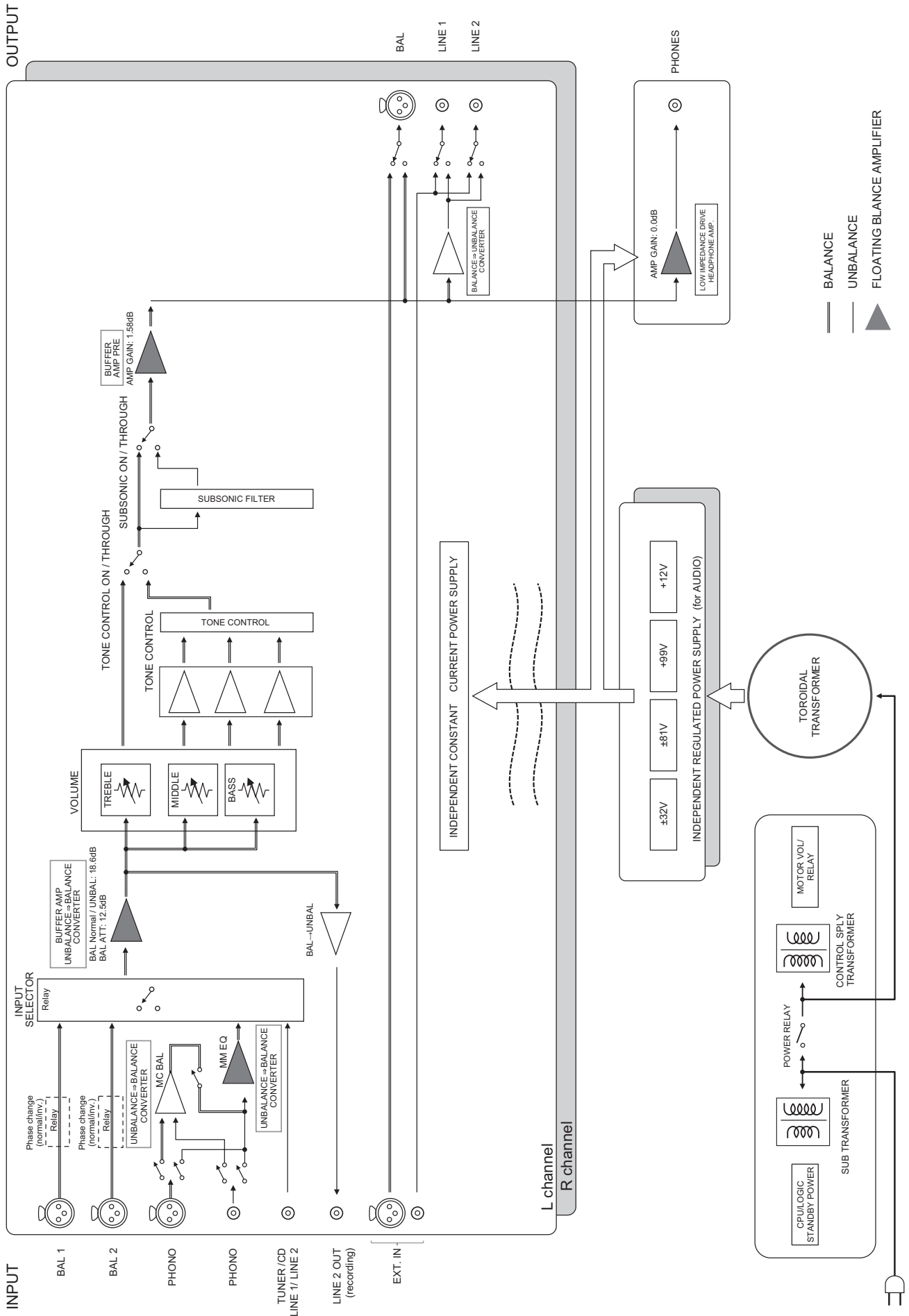
..... 435 × 142 × 451 mm

Gewicht

..... 19,1 kg

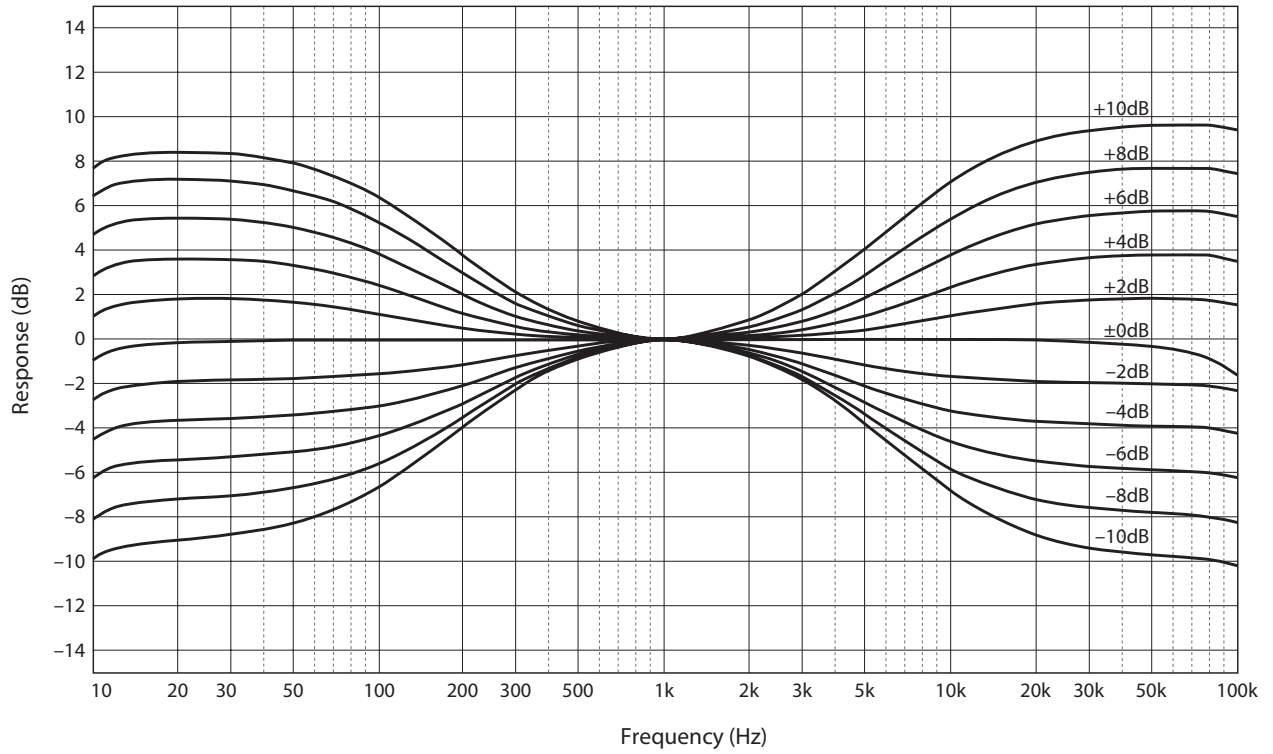
* De inhoud van deze handleiding geldt voor de meest recente specificaties op de datum dat de handleiding werd gepubliceerd. Voor de meest recente handleiding gaat u naar de website van Yamaha, waar u het bestand met de handleiding kunt downloaden.

Schema

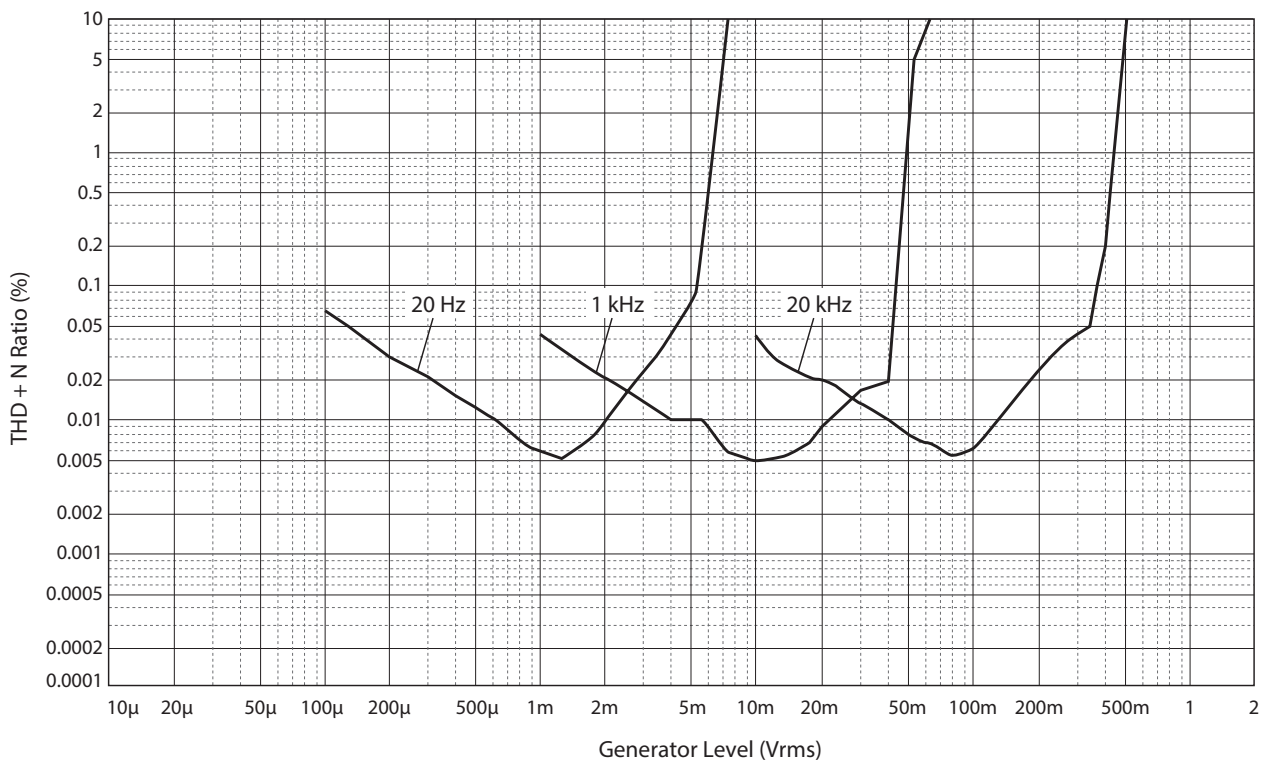


Audiokenmerken

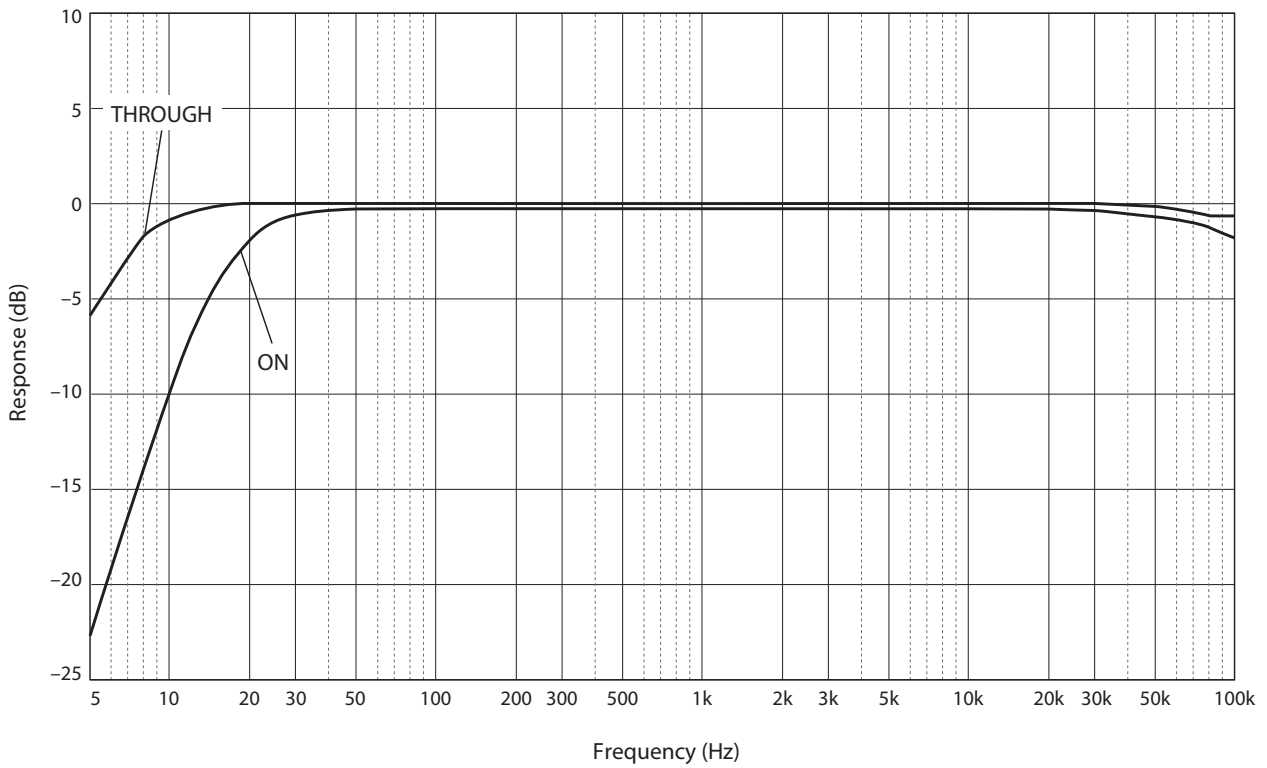
Frequentierespons (toonregeling)



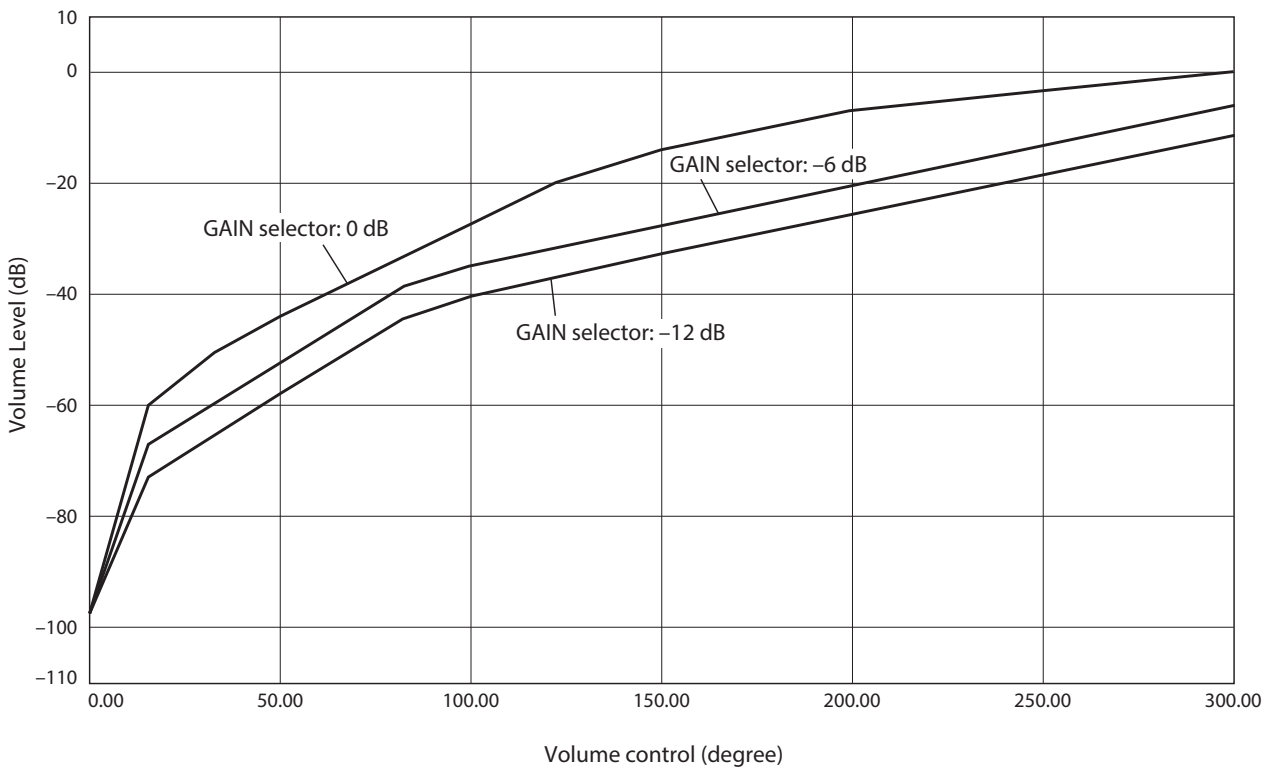
Totale harmonische vervorming (PHONO)



Subsonic filter



Volumecurve



Problemen oplossen

Raadpleeg de onderstaande tabel als dit toestel niet juist functioneert. Als de onderstaande instructies het probleem niet verhelpen, of als het door u ervaren probleem hier niet wordt vermeld, zet het toestel dan uit, haal de stekker uit het stopcontact en neem contact op met uw dichtstbijzijnde Yamaha dealer of service center.

Probleem	Oorzaak	Oplossing	Zie pagina
Toestel gaat niet aan.	Het netsnoer is niet aangesloten op de AC IN-aansluiting op het achterpaneel of is niet in het stopcontact gestoken.	Zorg dat het netsnoer stevig vastzit.	266
	Het toestel is blootgesteld geweest aan een sterke externe elektrische schok (bijvoorbeeld een blikseminslag of een ontlading van statische elektriciteit).	Schakel het toestel uit, trek de stekker van het netsnoer uit het stopcontact, wacht 30 seconden en steek de stekker weer in het stopcontact.	266
	Er is een probleem met de interne schakelingen van dit toestel.	Trek de stekker uit het stopcontact en neem contact op met de dichtstbijzijnde geautoriseerde Yamaha dealer of service center.	266
Er is geen geluid hoorbaar.	In- of uitgangskabels niet op de juiste manier aangesloten.	Sluit de kabels op de juiste wijze aan. Als het probleem blijft bestaan, zijn de kabels misschien defect.	260
	Er is geen geschikte signaalbron geselecteerd.	Selecteer een geschikte signaalbron met de INPUT-keuzeschakelaar op het voorpaneel (of met één van de ingangskeuzetoetsen op de afstandsbediening).	268
	De stand van de OUTPUT-keuzeschakelaar komt niet overeen met de gebruikte uitgangen.	Kies de juiste uitgang met de OUTPUT-keuzeschakelaar.	268
Het volume kan niet worden ingesteld.	EXT. DIRECT is geselecteerd als signaalbron.	Pas het volumeniveau van de aangesloten component aan. Of sluit de externe componenten aan op andere ingangen dan de EXT. IN-aansluitingen, en selecteer vervolgens de betreffende signaalbron.	260 268
Er is maar één kanaalluidspreker hoorbaar.	De afspelcomponent is niet juist aangesloten.	Zorg dat de aansluitingen op de juiste manier worden gemaakt. Als het probleem blijft bestaan, zijn de kabels misschien defect.	260

Probleem	Oorzaak	Oplossing	Zie pagina
Er is een "brom" hoorbaar.	In- of uitgangskabels niet op de juiste manier aangesloten.	Sluit de kabels op de juiste wijze aan. Als het probleem blijft bestaan, zijn de kabels misschien defect.	260
	De draaitafel is niet geaard via de GND-aansluiting.	Sluit de draaitafel aan op de GND-aansluiting van dit toestel.	262
	Er worden zowel gebalanceerde als ongebalanceerde kabels tegelijk tussen twee componenten gebruikt.	Gebruik geen gebalanceerde en ongebalanceerde kabels tegelijk tussen twee componenten. Dit kan een aardlus veroorzaken die statische elektriciteit en brom kan genereren.	261
De afgespeelde audio van de op BAL 1 en BAL 2 gebalanceerde ingangen aangesloten component klinkt vervormd.	Het ingangsniveau bij de gebalanceerde ingangen overschrijdt het toegestane ingangsniveau.	Als het uitgangsniveau bij de gebalanceerde XLR-uitgangen op de aangesloten component het dubbele is, vergeleken met de ongebalanceerde RCA-aansluitingen, stel de ATTENUATOR-keuzeschakelaar die zich onder de ingangsaansluitingen bevindt dan in op ATT. (-6 dB).	270
De bas heeft geen diepte als BAL 1 of BAL 2 (gebalanceerde ingang) is geselecteerd.	De polariteit is niet juist.	Kies de correcte polariteit met behulp van de PHASE-keuzeschakelaar.	254
Het volumeniveau van de vinyl grammofoonplaat is te laag.	De PHONO-schakelaar op het voorpaneel is onjuist ingesteld.	Zet de PHONO-schakelaar op MM of MC aan de hand van het type element van de draaitafel in kwestie.	269
De afstandsbediening werkt niet of niet naar behoren.	De afstandsbediening is buiten haar bereik gebruikt.	De afstandsbediening werkt binnen een maximaal bereik van 6 m en binnen een hoek van 30 graden ten opzichte van loodrecht op het voorpaneel.	258
	Direct zonlicht of verlichting (vooral van TL-lampen, stroboscoopverlichting enz.) valt op de sensor voor de afstandsbediening van dit toestel.	Verplaats de richting van de verlichting of het toestel.	258
	De batterijen raken leeg.	Vervang alle batterijen.	258

Index

A

AAN/UIT-indicator	246
AAN/UIT-schakelaar	246
Aarde-aansluiting	262
AC IN-aansluiting	266
Afstandsverbinding	265
ATTENUATOR-keuzeschakelaar	270
AUDIO MUTE-schakelaar	271
AUTO POWER STANDBY-schakelaar	253

B

BAL 1-aansluiting	251
BAL 2-aansluiting	251
BAL-aansluiting	253
BALANCE-regelaar	271
BASS-regelaar	271

D

De ingangsinstelling van de draaitafel aanpassen	269
--	-----

E

Een draaitafel aansluiten	262
Een eindversterker aansluiten	263
Een opnamecomponent aansluiten	262
Een subwoofer aansluiten	263
EXT. DIRECT-schakelaar	269
External In-aansluiting	263
EXT. IN-aansluiting	263

G

GAIN-keuzeschakelaar	270
Gebalanceerde aansluiting	254

H

Het toestel inschakelen	246
Hoofdtelefoon aansluiten	272

I

INPUT-keuzeschakelaar	268
-----------------------------	-----

L

LINE 1-aansluiting	253
LINE 2-aansluiting	253
LINE 2 IN-aansluiting	252
LINE 2 OUT (opname)-aansluiting	252

O

Ongebalanceerde aansluiting	255
OUTPUT-keuzeschakelaar	268

P

PHASE-keuzeschakelaar	254
PHONES-aansluiting	272
PHONO-aansluiting	262
PHONO-keuzeschakelaar	269

R

REMOTE-aansluiting	265
--------------------------	-----

S

Sensor voor de afstandsbediening	258
SERVICE-aansluiting	253
SIGNAL GND-aansluiting	262
STANDBY/ON/OFF-indicator	246
STANDBY/ON/OFF-schakelaar	246
SUBSONIC FILTER	270
SUBSONIC FILTER-schakelaar	270

T

TREBLE-regelaar	271
TRIGGER-aansluiting	264
Trigger-verbinding	264
TRIM-keuzeschakelaar	272

V

VOLUME-regelaar	270
-----------------------	-----

Поздравляем вас и благодарим за приобретение данного продукта Yamaha.

- ◆ Вы можете наслаждаться стереозвуком высокого качества у себя дома с помощью данного предусилителя.
- ◆ В данной инструкции по эксплуатации описаны функции аппарата, процедуры подключения и операции.
- ◆ Для правильного и безопасного использования продукта мы предлагаем внимательно ознакомиться с данным руководством и брошюрой по безопасности (отдельный буклет). Храните руководство в надежном доступном месте для дальнейшего использования.



Можно загрузить версию руководства в формате PDF со следующего веб-сайта Yamaha.

<https://download.yamaha.com/>

Функции

- ◆ Симметричный дизайн слева и справа создает структуру “в елочку”
- ◆ Передача полного плавающего симметричного сигнала класса А от ввода до вывода
- ◆ Усилитель плавающего симметричного фоновых квалейзера с симметричными входами
- ◆ Высокоточные элементы управления на основе фирменной опорной конструкции с жесткими рычажными переключателями
- ◆ Сдвоенный преобразователь, разработанный специально для аудиосигналов, который полностью отделен от контрольного источника питания
- ◆ Устойчивая механическая конструкция основания значительно уменьшает влияние внешних вибраций
- ◆ Контур регулировки тембра с фирменной системой параллельного управления громкостью
- ◆ Новый дизайн ножек в виде медных шипов
- ◆ Функция контроля усиления, которая позволяет выполнять сверхтонкую настройку громкости

О данном руководстве

- ◆ Иллюстрации в данном руководстве представлены только в ознакомительных целях.
- ◆ Названия компаний и продуктов в руководстве являются товарными знаками или зарегистрированными товарными знаками их соответствующих владельцев.
- ◆ “ **ПРЕДУПРЕЖДЕНИЕ**” обозначает меры предосторожности, которые следует соблюдать, чтобы избежать риска смерти или серьезной травмы.
- ◆ “ **ВНИМАНИЕ**” обозначает меры предосторожности, которые следует соблюдать, чтобы избежать риска травмы.
- ◆ “**УВЕДОМЛЕНИЕ**” обозначает меры предосторожности, которые следует соблюдать, чтобы избежать риска неисправности или повреждения продукта или данных.
- ◆ “**Примечание**” обозначает дополнительную информацию о продукте.
- ◆ Перед началом использования продукта обязательно ознакомьтесь с отдельной брошюрой по безопасности.

Содержание

Функции	282
О данном руководстве	282
Поставляемые аксессуары	284
Техническое обслуживание	284
Боковые панели с зеркальным покрытием	284
Поверхности, отличные от боковых панелей с зеркальным покрытием	284

Названия компонентов и их функции

Передняя панель	286
Задняя панель	290
Симметричные и несимметричные соединения	294
Пульт ДУ	296
Установка батареек в пульт ДУ	298
Управление с помощью пульта ДУ	298

Подключения

Подключение внешнего компонента	300
Подключение проигрывателя	302
Подключение записывающего компонента	302
Подключение другого предусилителя	303
Подключение усилителя мощности и активного сабвуфера	303
Триггерные соединения	304
Управление операцией включения и выключения питания подключенного компонента, например, усилителя мощности, синхронно с данным аппаратом	304
Управление операцией включения и выключения питания аппарата синхронно с подключенным компонентом, например, AV-ресивером	304

Дистанционные соединения	305
Управление аппаратом из другой комнаты	305
Дистанционное соединение между компонентами Yamaha	305
Подключение силового кабеля	306

Операции

Включение питания	308
Выбор входа и выхода	308
Выбор входного сигнала из гнезд EXT.IN	309
Настройка входного сигнала проигрывателя	309
Селектор PHONO	309
Инфразвуковой фильтр	310
Настройка уровня громкости	310
Мгновенное уменьшение уровня громкости	311
Настройка тембра	311
Подключение наушников	312

Справочные материалы

Общие технические характеристики	314
Блок-схема	316
Характеристики аудиосигнала	317
Частотная характеристика (регулировка тембра)	317
Коэффициент нелинейных искажений (PHONO)	317
Инфразвуковой фильтр	318
Кривая громкости	318
Возможные неисправности и способы их устранения	319
Указатель	321

Поставляемые аксессуары

Убедитесь, что следующие аксессуары входят в комплект поставки.

- Пульт ДУ
- Батарейки (AAA, R03, UM-4) (x2)
- Силовой кабель
- Инструкция по эксплуатации (данная книга)
- Брошюра по безопасности (отдельный буклет)



ПРЕДУПРЕЖДЕНИЕ

Не используйте прилагаемый силовой кабель для других устройств.

Техническое обслуживание

Чтобы использовать данный продукт в течение длительного времени, рекомендуется регулярно проводить техническое обслуживание.



ПРЕДУПРЕЖДЕНИЕ

- Регулярно проверяйте силовой кабель на наличие на нем пыли. В случае скопления пыли полностью сотрите ее. В противном случае это может привести к пожару или поражению электрическим током.
- Не используйте для очистки или смазки аэрозоли или спреи, содержащие горючие газы. В противном случае горючий газ может скопиться внутри аппарата, что может привести к взрыву или пожару.

УВЕДОМЛЕНИЕ

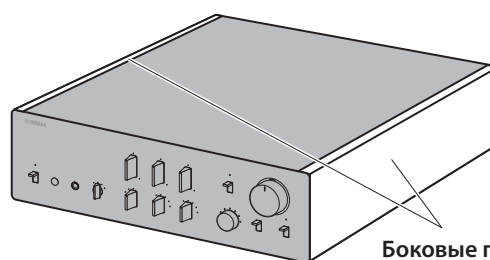
- Для чистки аппарата пользуйтесь мягкой сухой тканью. Использование моющих средств, таких как бензин или разбавитель, чистящее средство или обработанная химическим составом ткань, может вызвать изменение цвета или повреждение поверхности. При сильном загрязнении поверхности увлажните ткань чистящим средством (разведенным водой), тщательно отожмите ткань и вытрите грязь.
- При усиленном протирании поверхности в области логотипа Yamaha логотип может отклеиться или волокна от ткани могут прилипнуть к поверхности.

Боковые панели с зеркальным покрытием

Рекомендуется использовать чистящую салфетку, аналогичную салфеткам для фортепиано. Если поверхность очень грязная, используйте мягкую увлажненную водой и тщательно отжатую ткань.

Поверхности, отличные от боковых панелей с зеркальным покрытием

Протирайте остальные поверхности мягкой сухой тканью. При сильном загрязнении поверхности увлажните ткань чистящим средством, разведенным водой, тщательно отожмите ткань и сотрите грязь с поверхности.



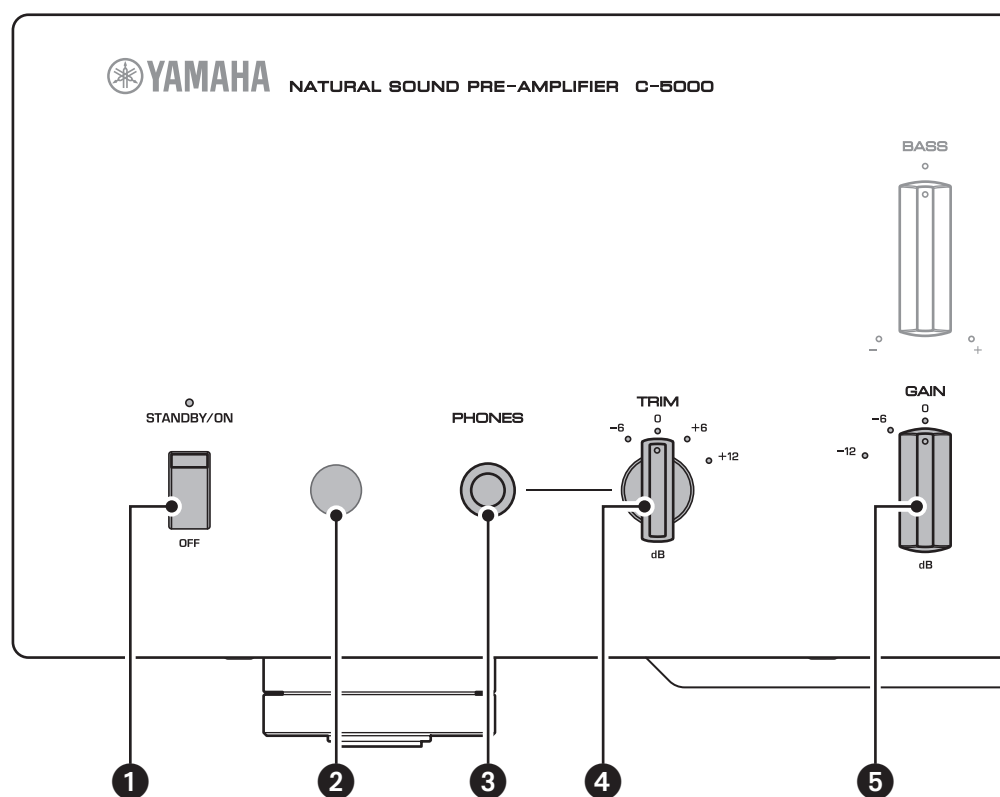
Боковые панели с зеркальным покрытием

Названия компонентов и их функции

В данном разделе представлены названия и функции различных компонентов на передней и задней панели и пульте ДУ.

C-5000

Передняя панель



1 Переключатель/индикатор STANDBY/ON/OFF (Питание)

Включение (режиме ожидания) или выключение питания аппарата.

STANDBY/ON: переключение между включенным режимом и режимом ожидания с помощью кнопки AMP на пульте ДУ.

OFF: выключение питания аппарата.

Состояние питания	Индикатор
Включено	Горит ярко
Режиме ожидания	Горит тускло
Выключено	Не горит

Аппарат перейдет в режим ожидания не только при нажатии на кнопку AMP на пульте ДУ, но и в одном из следующих случаев:

- Питание аппарата включено, но никакие операции не выполняются в течение восьми часов, при этом включена функция автоматического перехода в режим ожидания.
- При выключении питания устройства, подключенного к гнезду TRIGGER IN на аппарате.

Подробнее см. в пункте “17 Переключатель AUTO POWER STANDBY” раздела “Задняя панель” (стр. 293) и в разделе “Триггерные соединения” (стр. 304).

Примечание

После включения данного аппарата он начнет воспроизводить звук только через несколько секунд.

УВЕДОМЛЕНИЕ

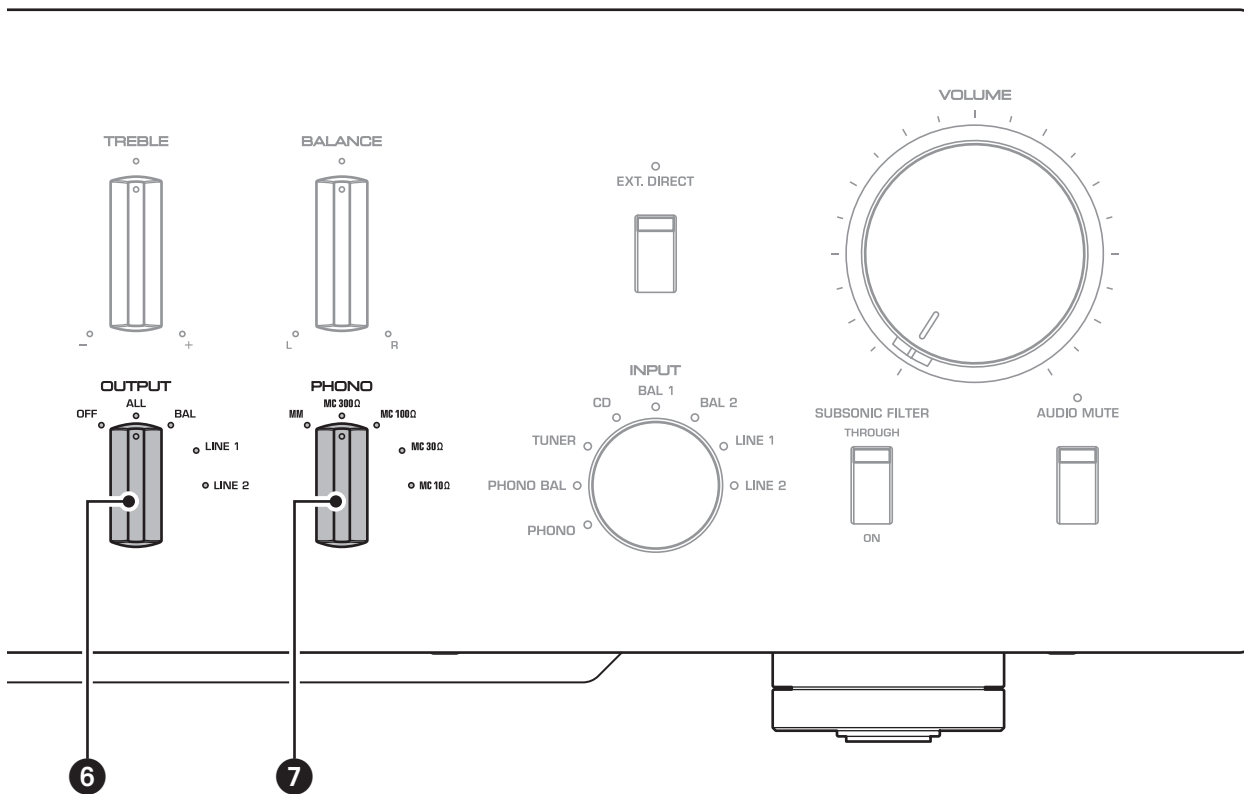
Если вы не планируете использовать аппарат в течение длительного периода времени, обязательно отсоедините силовой кабель от розетки переменного тока. Даже если переключатель STANDBY/ON/OFF (Питание) выключен (индикатор питания не горит), минимальный электрический ток будет продолжать протекать через аппарат.

2 Сенсор дистанционного управления

Прием сигналов от пульта ДУ. Подробнее см. в разделе “Управление с помощью пульта ДУ” (стр. 298).

3 Гнездо PHONES

Подключите сюда наушники для индивидуального прослушивания музыки. Подробнее см. в разделе “Подключение наушников” (стр. 312)



4 Селектор TRIM

Переключение усиления для усилителя наушников. Когда наушники подключены, аппарат будет регулировать уровень громкости, чтобы избежать внезапных изменений громкости, регулируя баланс уровня между выходным аудиосигналом из гнезда PHONES и из колонок.

Возможные значения: -6 дБ, 0 дБ, +6 дБ, +12 дБ

5 Селектор GAIN

Переключение усиления предусилителя. Аппарат плавно адаптируется к усилению усилителя мощности и чувствительности колонок, что позволяет выполнять тонкую настройку громкости. Подробнее см. в разделе “Настройка уровня громкости” (стр. 310).

Возможные значения: -12 дБ, -6 дБ, 0 дБ

6 Селектор OUTPUT

Определение гнезд OUTPUT, через которые выводятся сигналы, следующим образом.

Используйте данный селектор при наличии нескольких подключенных усилителей мощности.

	Селектор OUTPUT				
	OFF	ALL	BAL	LINE1	LINE2
Гнезда BAL	—	Вывод	Вывод	—	—
Гнезда LINE 1	—	Вывод	—	Вывод	—
Гнезда LINE 2	—	Вывод	—	—	Вывод

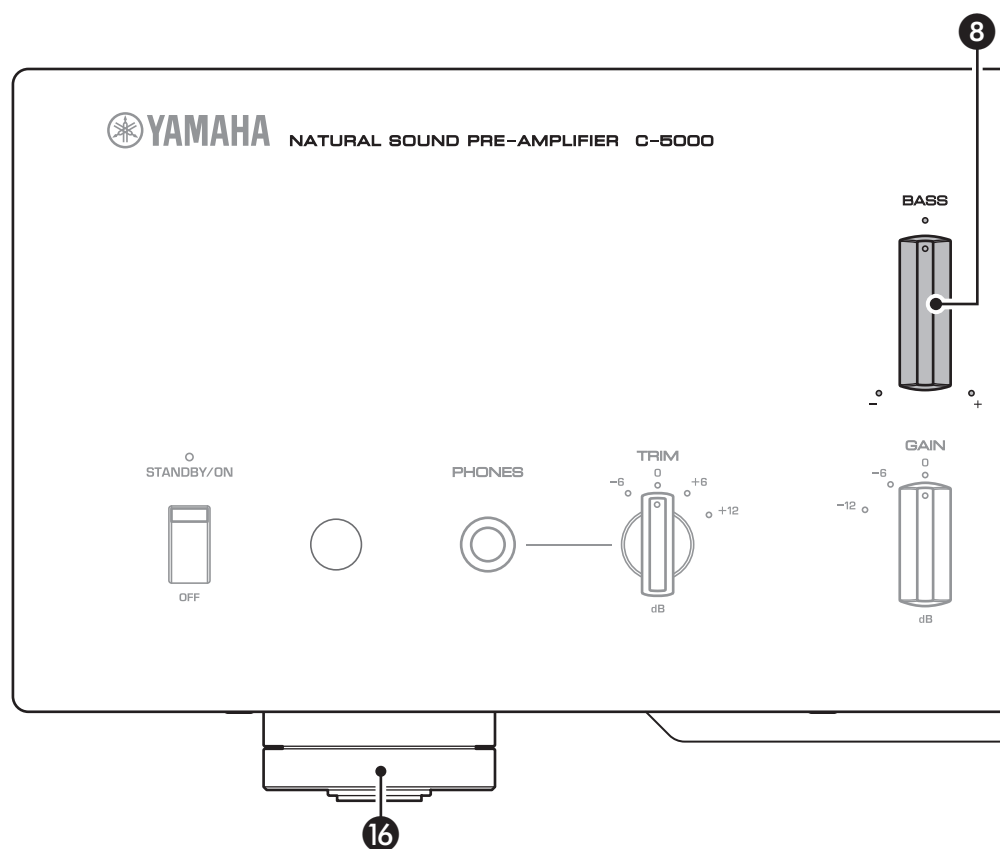
7 Селектор PHONO

Определяет тип головки звукоснимателя, установленной на проигрывателе, который подключен к гнездам PHONO на задней панели (ММ, МС 300 Ом, МС 100 Ом, МС 30 Ом, МС 10 Ом). Подробнее см. в разделе “Настройка входного сигнала проигрывателя” (стр. 309).

УВЕДОМЛЕНИЕ

Перед заменой головки звукоснимателя обязательно отключите питание аппарата.

Передняя панель



8 Регулятор BASS

Регулировка низкочастотной характеристики в диапазоне от -10 дБ до $+10$ дБ (с шагом $0,5$ дБ). В центральном положении воспроизводится плоская амплитудно-частотная характеристика.

9 Регулятор TREBLE

Регулировка высокочастотной характеристики в диапазоне от -10 дБ до $+10$ дБ (с шагом $0,5$ дБ). В центральном положении воспроизводится плоская амплитудно-частотная характеристика.

10 Регулятор BALANCE

Регулировка баланса аудиовыхода между левой и правой колонкой в диапазоне от L (правый канал приглушен) до R (левый канал приглушен) с целью компенсации звукового дисбаланса, вызванного расположением колонок или условиями в помещении прослушивания.

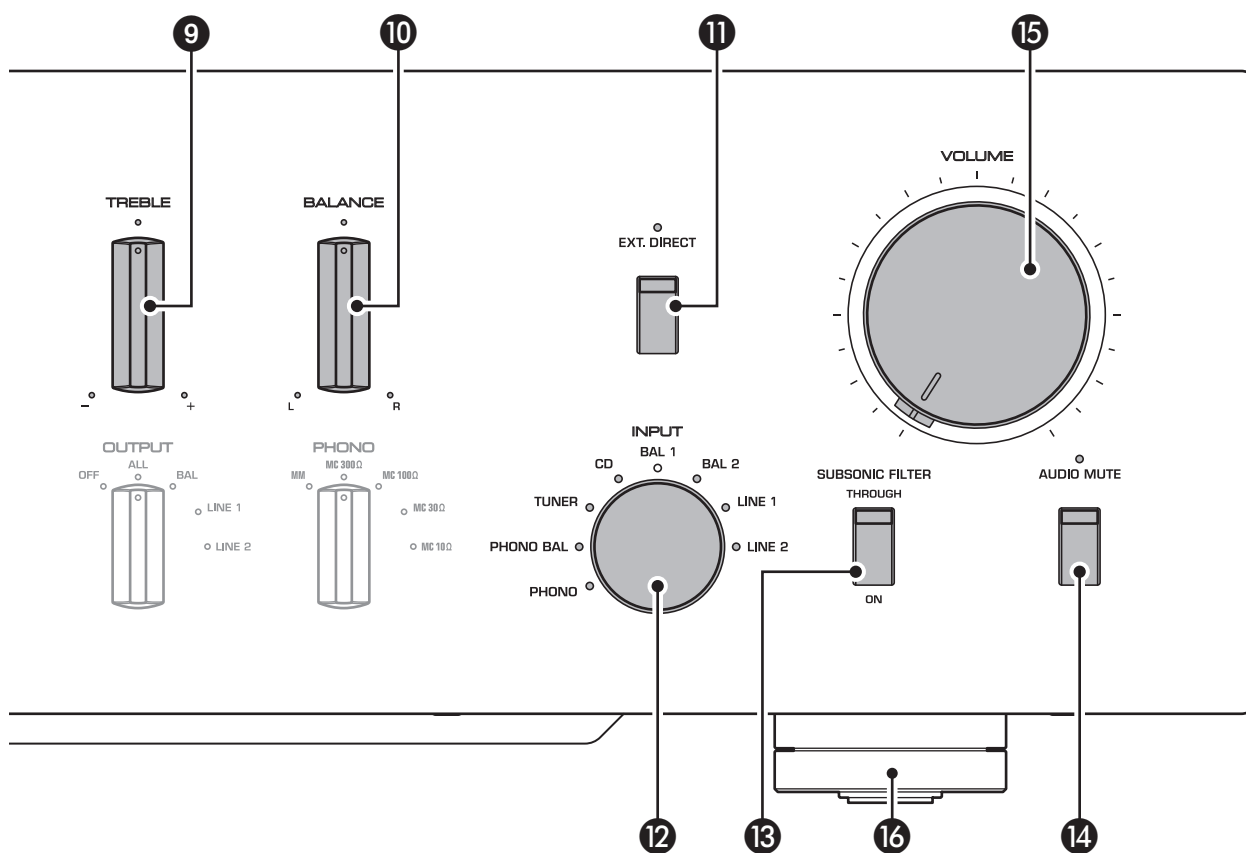
11 Переключатель/индикатор EXT. DIRECT

При однократном нажатии на переключатель EXT. DIRECT загорится индикатор EXT. DIRECT, и источник аудиосигнала, который вводится через гнезда EXT. IN, будет выводиться через подключенные выходные гнезда. Подробнее см. в разделах “Подключение другого предусилителя” (стр. 303) и “Выбор входа и выхода” (стр. 308).

При повторном нажатии на переключатель EXT. DIRECT или при повороте селектора INPUT сигнал, определяемый селектором INPUT, станет источником входного сигнала, а индикатор EXT. DIRECT погаснет.

Примечание

Если выбран переключатель EXT. DIRECT, сигнал не будет выводиться через гнезда LINE 2 OUT (запись) и через гнездо PHONES.



12 Селектор/индикатор INPUT

Позволяет выбирать источник входного сигнала для воспроизведения. Возможные значения: **PHONO**, **PHONO BAL**, **TUNER**, **CD**, **BAL 1**, **BAL 2**, **LINE 1** и **LINE 2**. Загорится индикатор выбранного источника входного сигнала.

Примечание

Если выбрано значение **LINE 2**, аудиосигналы не будут выводиться через гнезда **LINE 2 OUT** (запись).

13 Переключатель SUBSONIC FILTER

Переключением между положениями **ON** (включен) и **THROUGH** (выключен) инфразвукового фильтра. Подробнее см. в разделе “Настройка входного сигнала проигрывателя” (стр. 309).

Примечание

Если селектор **INPUT** установлен в любое положение, отличное от **PHONO** или **PHONO BAL**, фильтр будет выключен.

14 Переключатель/индикатор AUDIO MUTE

Нажмите на данный переключатель для уменьшения текущего уровня громкости приблизительно на 20 дБ. Индикатор загорится. Нажмите еще раз для возобновления звучания на предыдущем уровне громкости. Индикатор погаснет.

15 Регулятор VOLUME

Регулировка уровня громкости. Данная настройка не влияет на уровень выходного сигнала через гнезда **LINE 2 OUT** (запись).

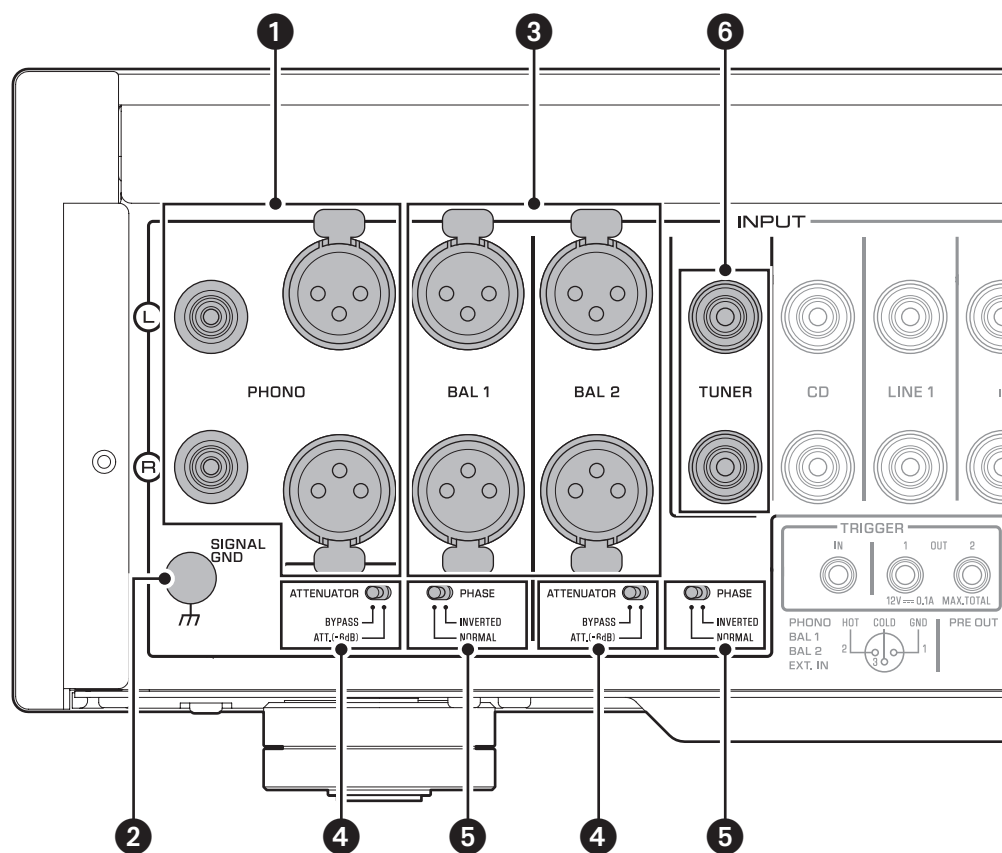
Примечание

Регулятор **VOLUME** не влияет на уровень громкости, если параметр **EXT. DIRECT** выбран в качестве источника входного сигнала. Для настройки уровня громкости используйте регулятор громкости на внешнем предусилителе или другом компоненте, подключенном к гнездам **EXT. IN**.

16 Ножки

Если аппарат стоит неустойчиво, отрегулируйте высоту ножек, поворачивая их.

Задняя панель



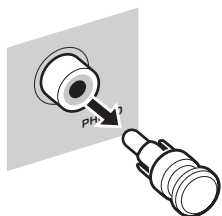
Примечание

Информацию о процедуре подключения см. в разделе “Подключения” (стр. 299).

1 Гнезда PHONO

Гнезда типа RCA и XLR. Если селектор INPUT установлен в положение PHONO, сигналы, выводимые через гнезда PHONO типа RCA, будут источником входного сигнала. Если селектор INPUT установлен в положение PHONO BAL, сигналы, выводимые через гнезда PHONO типа XLR, будут источником входного сигнала.

Предусилитель поставляется с замыкающей вилкой, установленной на каждом входном гнезде PHONO типа RCA. Если планируется подключение внешнего компонента к этим гнездам, уберите замыкающие вилки. Подробнее см. в разделе “Подключение проигрывателя” (стр. 302)”.



ВНИМАНИЕ

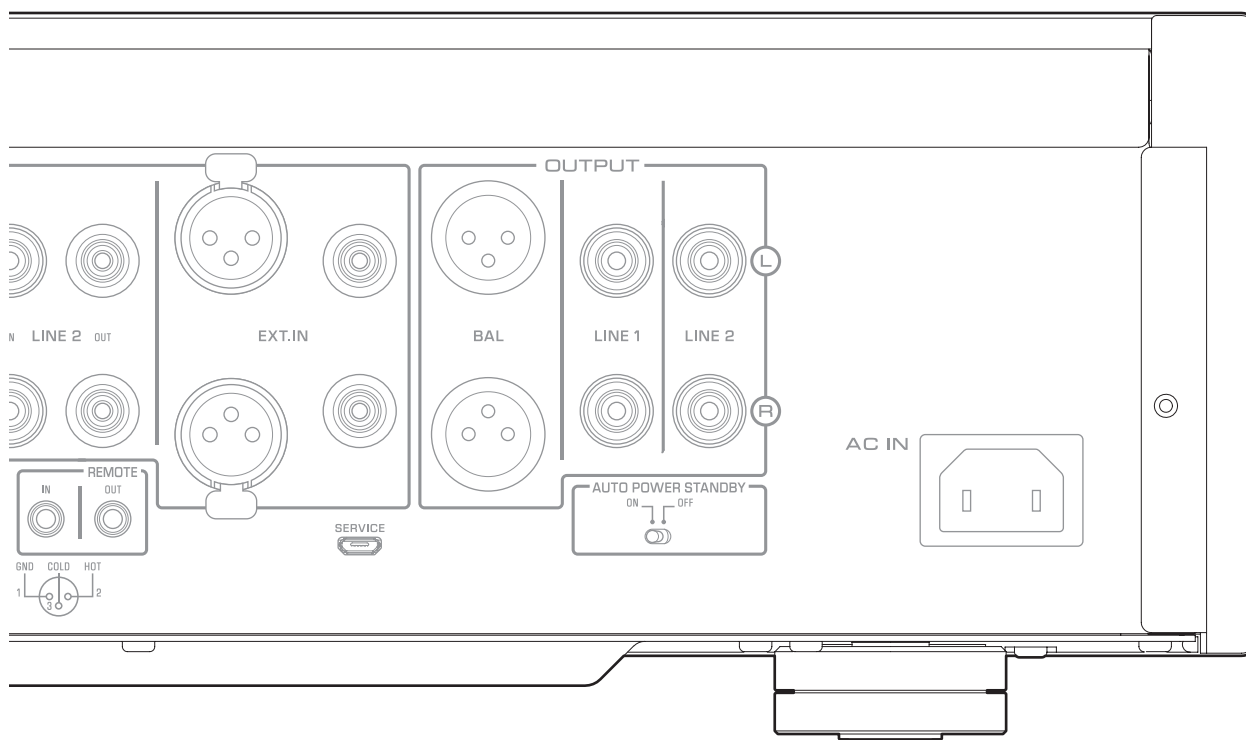
Аккуратно обращайтесь с замыкающими вилками. Не позволяйте детям играть с ними; в противном случае они могут проглотить их.

УВЕДОМЛЕНИЕ

- Замыкающие вилки предназначены ТОЛЬКО для неиспользуемых ВХОДНЫХ ГНЕЗД; их использование на ВЫХОДНЫХ ГНЕЗДАХ может вызвать серьезные повреждения компонентов.
- Если вы планируете не использовать входные гнезда PHONO типа RCA, вставьте в них замыкающие вилки, чтобы предотвратить случайные статические помехи или шумы, которые ухудшают качество аудиосигнала.

2 Терминал SIGNAL GND (заземление)

При подключении проигрывателя к входным гнездам PHONO типа RCA также подключите проигрыватель к данному терминалу. Это может снизить шум.



3 Гнезда BAL 1/BAL 2

Это два блока симметричных входных гнезд типа XLR. Если селектор INPUT установлен в положение BAL 1 или BAL 2, сигналы, выводимые через соответствующие гнезда XLR, будут источником входного сигнала.

Примечание

Установите селектор ATTENUATOR и селектор PHASE в положение, соответствующее компонентам воспроизведения, которые подключены к аппарату.

4 Селектор ATTENUATOR

Позволяет устанавливать допустимый уровень входного сигнала для симметричных входных гнезд типа XLR (гнезд BAL 1 и BAL 2). Подробнее см. в разделе “Настройка уровня громкости” (стр. 310).

BYPASS: допустимый уровень входного сигнала не изменится. В обычных условиях следует выбирать данное значение.

АТТ. (-6 дБ): входное усиление будет снижено на 6 дБ, чтобы поднять допустимый уровень входного сигнала. Выберите данное значение, если аудиосигнал, выводимый из подключенного компонента, звучит искаженно.

5 Селектор PHASE

Определяет положение контакта HOT для симметричных входных гнезд типа XLR (гнезд BAL 1 и BAL 2).

NORMAL: контакт #2 выбран в качестве контакта HOT.

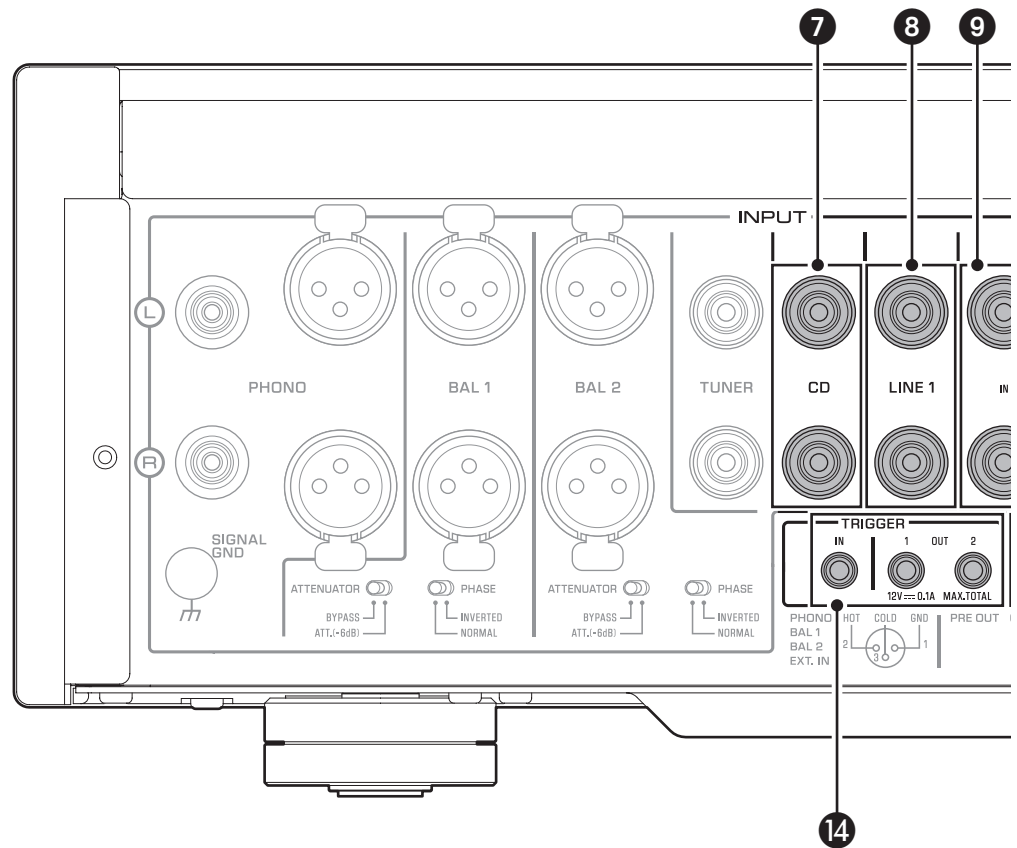
INV.: контакт #3 выбран в качестве контакта HOT.

Подробнее см. в разделе “Симметричные и несимметричные соединения” (стр. 294).

6 Гнезда TUNER

Это входные гнезда RCA. Если селектор INPUT установлен в положение TUNER, сигналы, вводимые через эти гнезда, будут источником входного сигнала. Подключите к ним тюнер.

Задняя панель



7 Гнезда CD

Это входные гнезда RCA. Если селектор INPUT установлен в положение CD, сигналы, вводимые через эти гнезда, будут источником входного сигнала. Подключите к ним CD-проигрыватель.

8 Гнезда LINE 1

Это входные гнезда RCA. Если селектор INPUT установлен в положение LINE 1, сигналы, вводимые через эти гнезда, будут источником входного сигнала.

9 Гнезда LINE 2 IN

Это входные гнезда RCA. Если селектор INPUT установлен в положение LINE 2, эти гнезда будут источником входного сигнала.

10 Гнезда LINE 2 OUT (запись)

Это входные гнезда RCA для записи. Через них обычно выводятся сигналы источника входного сигнала, выбранные с помощью передней панели или пульта ДУ. Информацию о процедуре подключения см. в разделе “Подключение записывающего компонента” (стр. 302).

Примечание

- Подключите гнезда LINE 2 IN и гнезда LINE 2 OUT (запись) к одному компоненту.
- Гнезда LINE 2 OUT (запись) не будут выводить сигналы, если селектор INPUT установлен в положение LINE 2 или нажат переключатель EXT. DIRECT.

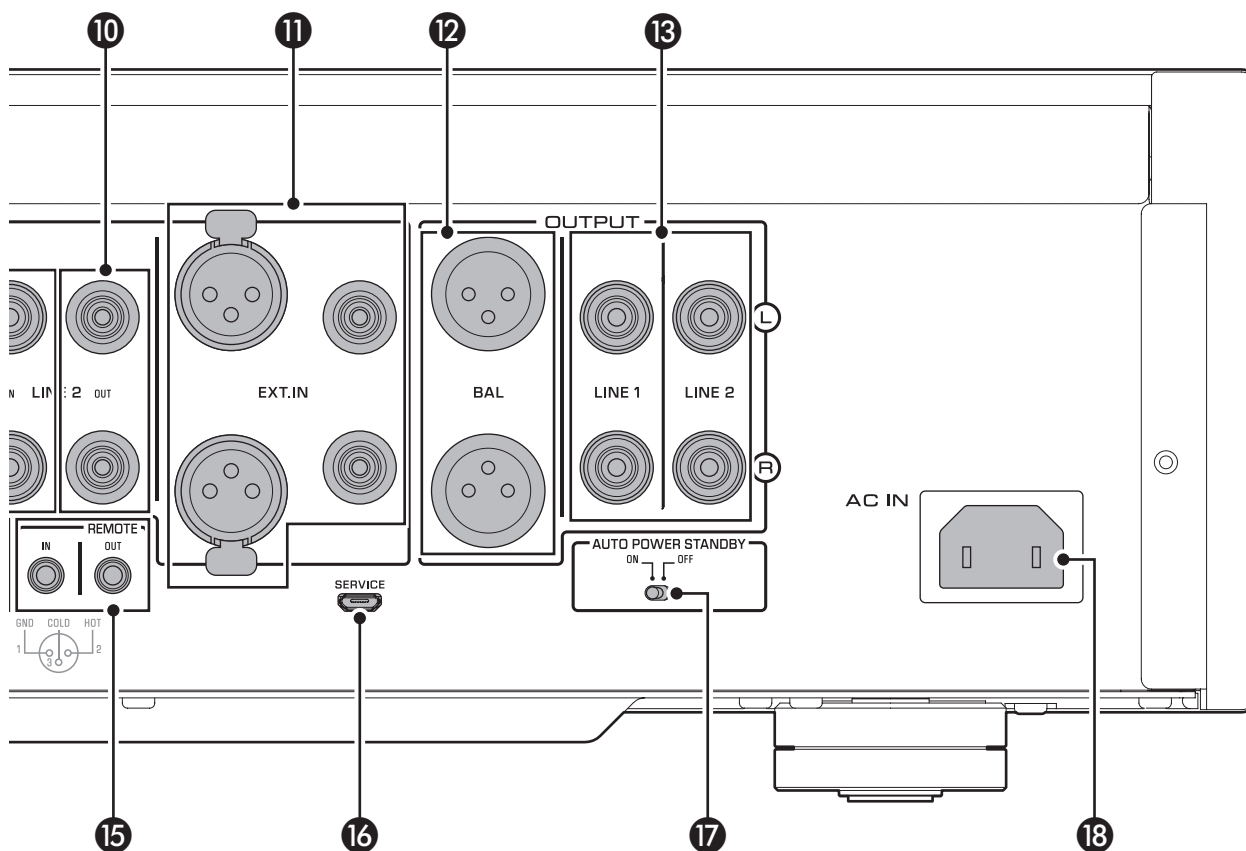
11 Гнезда EXT.IN

Эти гнезда имеют характеристики входных гнезд типа XLR и входных гнезд RCA. Если нажат переключатель EXT. DIRECT, сигналы, передаваемые через эти гнезда, будут источником входного сигнала. Подключите к ним предусилитель. Подробнее см. в разделе “Подключение другого предусилителя” (стр. 303).



ВНИМАНИЕ

Невозможно настраивать уровень громкости сигналов, вводимых через гнезда EXT. IN. Поэтому обязательно подключите к гнездам EXT. IN компонент, который имеет функцию управления громкостью.



Примечание

Уровень громкости является фиксированным. Использование регулятора VOLUME или селектора GAIN на аппарате не изменит уровень громкости сигнала, вводимого через гнезда EXT. IN. Отрегулируйте уровень громкости с помощью регулятора громкости на компоненте, подключенном к гнездам EXT. IN.

12 Гнезда BAL

Это выходные гнезда типа XLR. Подключите данные гнезда к симметричным входным гнездам на усилителе мощности.

13 Гнезда LINE 1/LINE 2

Это выходные гнезда RCA. Подключите данные гнезда к входным гнездам RCA на усилителе мощности.

14 Гнезда TRIGGER IN/TRIGGER OUT

Это монофонические мини-гнезда. Подключите в них внешние компоненты, которые поддерживают триггерную функцию. Подробнее см. в разделе “Триггерные соединения” (стр. 304).

15 Гнезда REMOTE IN/REMOTE OUT

Это монофонические мини-гнезда. Подключите в них внешние компоненты, которые поддерживают функцию дистанционного управления. Подробнее см. в разделе “Дистанционные соединения” (стр. 305).

16 Гнездо SERVICE

Данное гнездо используется для обслуживания продукта. Оно редко используется.

17 Переключатель AUTO POWER STANDBY

Определяет автоматический переход аппарата в режим ожидания.

ON: аппарат переходит в режим ожидания автоматически, если питание включено, но никакие операции не выполняются в течение восьми часов.

OFF: аппарат не переходит в режим ожидания автоматически.

18 Гнездо AC IN

Подключите к нему прилагаемый силовой кабель. Подробнее см. в разделе “Подключение силового кабеля” (стр. 306).

Симметричные и несимметричные соединения

Данный аппарат имеет симметричные гнезда типа XLR и несимметричные входные гнезда типа RCA.

Примечание

Не используйте симметричные и несимметричные соединения между двумя компонентами одновременно. Это может сформировать контур заземления, который создает статические помехи и шум.

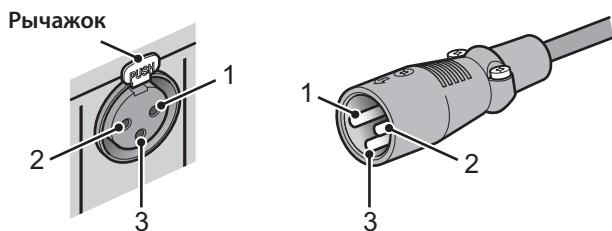
Симметричное соединение

Симметричное соединение предназначено для устранения и предотвращения нежелательного шума. Поскольку более длинные кабели обычно создают больше шума, симметричное соединение эффективно, когда необходимо использовать длинные кабели. Как правило, если компоненты имеют симметричные выходы, следует использовать симметричные соединения.

Гнезда для симметричных соединений

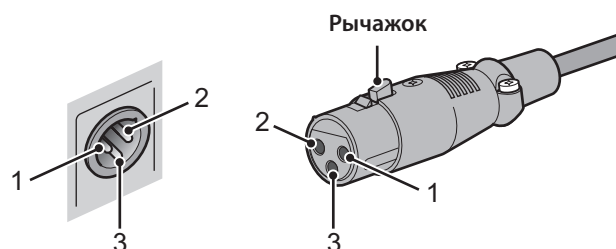
Гнезда типа XLR на данном аппарате используются для симметричных соединений. Входные и выходные гнезда имеют разный дизайн. На входе гнездовые разъемы, на выходе штекерные разъемы. Для симметричных соединений используются симметричные кабели с разъемами XLR. Подключите штекерный разъем кабеля к гнездовому разъему на аппарате, а гнездовой разъем кабеля к штекерному разъему на аппарате.

Гнездо XLR (гнездовое) Разъем XLR (штекерный)



При подключении кабеля к входному гнезду обязательно совместите контакты разъема с отверстиями гнезда, а затем вставьте разъем в гнездо до щелчка. Чтобы отсоединить кабель, нажмите и удерживайте рычажок на входном гнезде аппарата и вытащите штекерный разъем XLR из гнезда.

Гнездо XLR (штекерный) Разъем XLR (гнездовое)



При подключении кабеля к выходному гнезду обязательно совместите отверстия разъема с контактами гнезда, а затем вставьте разъем в гнездо до щелчка. Чтобы отсоединить кабель, нажмите и удерживайте рычажок на гнездовом разъеме XLR и вытащите его из гнезда.

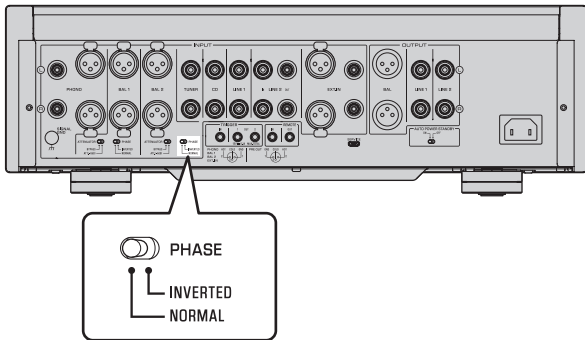
Полярность симметричного соединения

При создании симметричного соединения обязательно соблюдайте правильную полярность. Как правило, контакт #2 является контактом Hot, но иногда контакт #3 может являться контактом Hot. Обратитесь к руководству пользователя по подключенному компоненту, чтобы узнать, какой контакт в выходном гнезде является контактом Hot.

Для настройки полярности контактов входных гнезд BAL 1 и BAL 2 используйте селектор PHASE на задней панели.

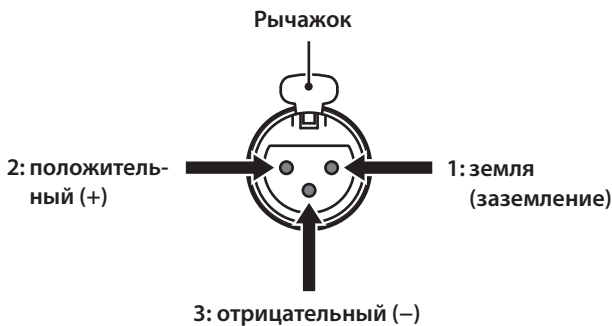
Примечание

- Гнезда PHONO и EXT. IN не имеют переключателя PHASE. Полярность контактов этих гнезд является стандартной и фиксированной.
- Контакт #2 является контактом Hot на проигрывателях Yamaha.



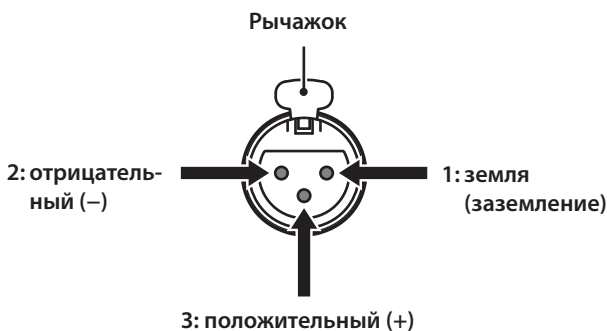
Если селектор PHASE установлен в положение NORMAL, контакт #2 становится контактом Hot.

Входное гнездо типа XLR



Если селектор PHASE установлен в положение INVERTED, контакт #3 становится контактом Hot.

Входное гнездо типа XLR

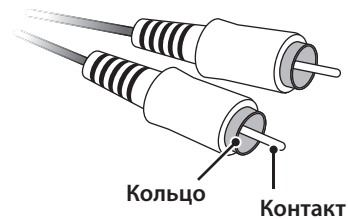


Выходное гнездо типа XLR

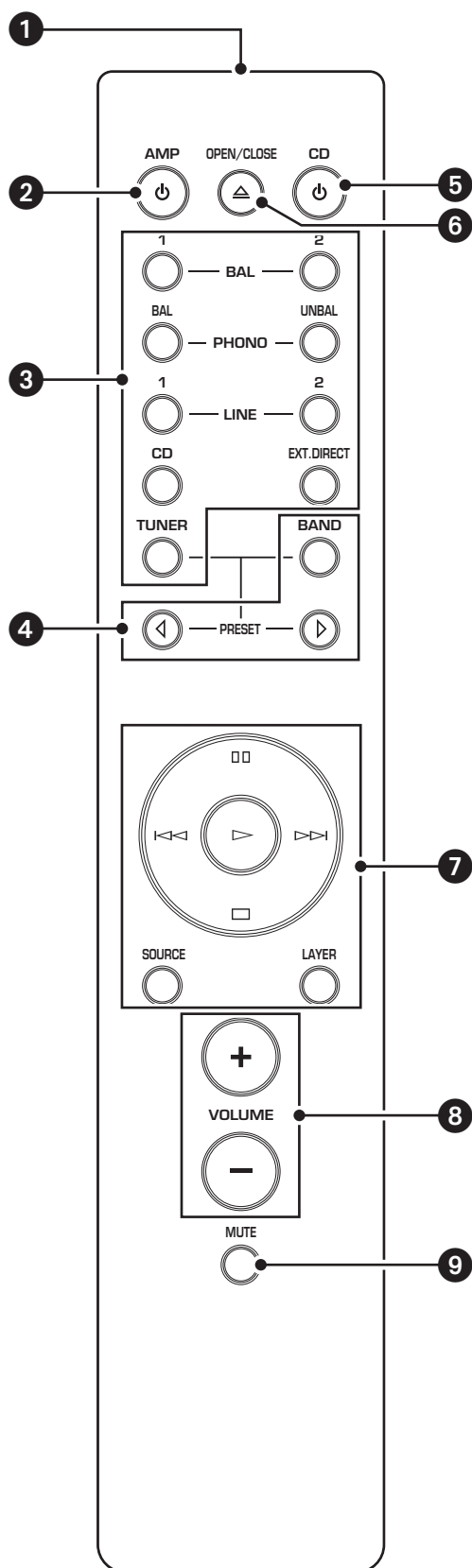


Несимметричное соединение

При подключении аудиокомпонента, который имеет только стандартные гнезда RCA, используйте гнезда RCA на данном аппарате для несимметричных соединений. Для несимметричных соединений следует использовать несимметричные кабели с разъемами RCA. Данные гнезда и разъемы не имеют штекерного или гнездового дизайна, а также различий полярности.



Пульт ДУ



1 Передатчик инфракрасного сигнала

Вывод инфракрасных сигналов управления в направлении аппарата.

2 Кнопка AMP

Включение питания на аппарате или переключение в режим ожидания. Подробнее о режиме ожидания см. в разделе “Передняя панель” (стр. 286).

3 Кнопки выбора входного сигнала

Позволяют выбрать источник входного сигнала для воспроизведения.

BAL: выбор компонента, подключенного к гнездам BAL 1 или BAL 2 типа XLR, в качестве источника входного сигнала.

PHONO: выбор проигрывателя, подключенного к гнездам PHONO (типа XLR или RCA), в качестве источника входного сигнала. Нажмите кнопку BAL, чтобы выбрать источник, подключенный к гнездам типа XLR, или кнопку UNBAL, чтобы выбрать источник, подключенный к гнездам RCA.

LINE: выбор компонента, подключенного к гнездам LINE 1 или LINE 2 типа RCA, в качестве источника входного сигнала.

EXT. DIRECT: выбор компонента, подключенного к гнездам EXT. IN, в качестве источника входного сигнала. Если значение EXT. DIRECT выбрано в качестве источника входного сигнала, аудиосигналы не будут выводиться через гнезда LINE 2 OUT или PHONES.



CD: выбор компонента (обычно CD-проигрывателя), подключенного к гнездам CD типа RCA, в качестве источника входного сигнала.

TUNER: выбор компонента (обычно тюнера), подключенного к гнездам TUNER типа RCA, в качестве источника входного сигнала.

Примечание

Аудиосигналы выбранного источника входного сигнала будут выводиться через гнезда LINE 2 OUT (запись). Если в качестве источника входного сигнала выбрано значение LINE 2, аудиосигналы не будут выводиться через гнезда LINE 2 OUT (запись).

4 Кнопки управления тюнером

Позволяют управлять функциями подключенного тюнера Yamaha. Кнопка BAND используется для переключения диапазона приема, а кнопка PRESET   - для выбора предустановленной станции. Подробнее см. в руководстве пользователя тюнера.

Примечание

Некоторые модели тюнеров Yamaha могут не поддерживать функции этих кнопок.



5 Кнопка CD

Включение питания на подключенном CD-проигрывателе Yamaha или его переключение в режим ожидания.

6 Кнопка OPEN/CLOSE

Открытие или закрытие лотка диска подключенного CD-проигрывателя Yamaha. Подробнее см. в руководстве пользователя CD-проигрывателя.

Примечание

Некоторые модели CD-проигрывателей Yamaha могут не поддерживать функции кнопок  CD и/или  OPEN/CLOSE.


7 Кнопки управления CD-проигрывателем

Позволяют управлять функциями подключенного CD-проигрывателя Yamaha. Подробнее см. в руководстве пользователя CD-проигрывателя.

(воспроизведение)

Начало воспроизведения.

(пауза)

Пауза при воспроизведении. Нажмите  или  для возобновления воспроизведения.

(остановка)

Остановка воспроизведения.

(пропуск)

Переход на следующую дорожку или возврат к началу текущей дорожки.

Кнопка SOURCE

Выбор источника для воспроизведения с помощью CD-проигрывателя. При каждом нажатии этой кнопки изменяется источник для воспроизведения.

Кнопка LAYER

Переключение слоя воспроизведения гибридного диска Super Audio CD между “Super audio CD” и “CD”.

Примечание

Некоторые модели CD-проигрывателей Yamaha могут не поддерживать функции этих кнопок.

8 Кнопки VOLUME +/-

Регулировка уровня громкости.

Примечание

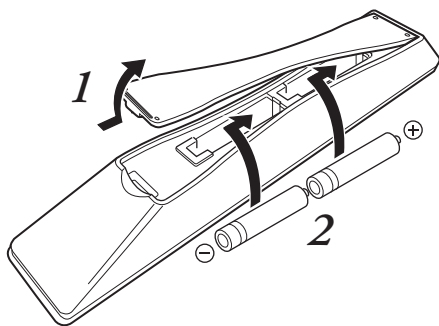
Кнопки VOLUME +/- на пульте ДУ не влияют на уровень громкости, если параметр EXT. DIRECT выбран в качестве источника входного сигнала. Отрегулируйте уровень громкости с помощью регулятора громкости на внешнем усилителе, подключенном к гнездам EXT. IN.

9 Кнопка MUTE

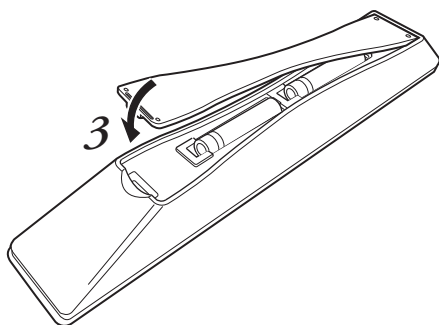
Уменьшение текущего уровня громкости приблизительно на 20 дБ. Нажмите кнопку еще раз для возобновления звучания на предыдущем уровне громкости. Нажатие кнопки VOLUME + или - на пульте ДУ также отменяет приглушение звука.

Установка батареек в пульт ДУ

- 1 Снимите крышку отделения для батареек.
- 2 Вставьте две батарейки (AAA, R03, UM-4) в соответствии с обозначениями полярности (+ и –) на внутренней стороне отделения для батареек.



- 3 Установите на место крышку отделения для батареек.



ПРЕДУПРЕЖДЕНИЕ

- Не бросайте батарейки в открытый огонь и не подвергайте их воздействию высоких температур, например, прямых солнечных лучей или открытого пламени. В противном случае батарейка может взорваться и вызвать пожар либо привести к травме.
- Не пытайтесь повторно зарядить батарейки, не предназначенные для перезарядки. В противном случае батарейки могут взорваться или потечь, что может вызвать слепоту, химические ожоги или травму.
- Если батарейка потекла, не прикасайтесь к жидкости. В противном случае это может вызвать слепоту или химические ожоги. Если в глаза, в рот или на кожу попала жидкость, немедленно промойте это место большим количеством воды и обратитесь за медицинской помощью.

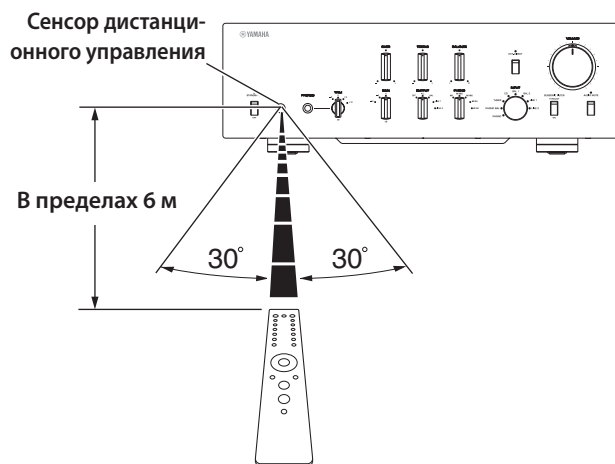


ВНИМАНИЕ

- Не используйте одновременно новые и старые батарейки. В противном случае это может вызвать пожар, ожоги или раздражение из-за утечки электролита.
- Не используйте одновременно батарейки двух разных типов. Например, если вы используете вместе щелочную и марганцевую батарейки, или одновременно две батарейки двух разных производителей или с разными номерами изделий, это может вызвать пожар, ожоги или раздражение кожи из-за утечки электролита.
- Храните батарейки в недоступном для детей месте. В противном случае ребенок может случайно проглотить батарейку. Утечка электролита также может вызвать раздражение кожи.
- Вставьте две батарейки в соответствии с обозначениями полярности (+ и –). В противном случае это может вызвать пожар, ожоги или раздражение кожи из-за утечки электролита.
- Если вы планируете не использовать пульт ДУ в течение длительного периода времени либо батарейки полностью разряжены, извлеките их из пульта ДУ. В противном случае все батарейки в конечном итоге будут разряжены и могут потечь, что вызовет раздражение кожи или повреждение пульта ДУ.

Управление с помощью пульта ДУ

Для управления с помощью пульта ДУ направьте его прямо на сенсор дистанционного управления на передней панели аппарата.



Подключения

В данном разделе описываются процедуры подключения аппарата к источнику аудиосигнала, например, тюнеру или CD-проигрывателю, и усилителю мощности.



ВНИМАНИЕ

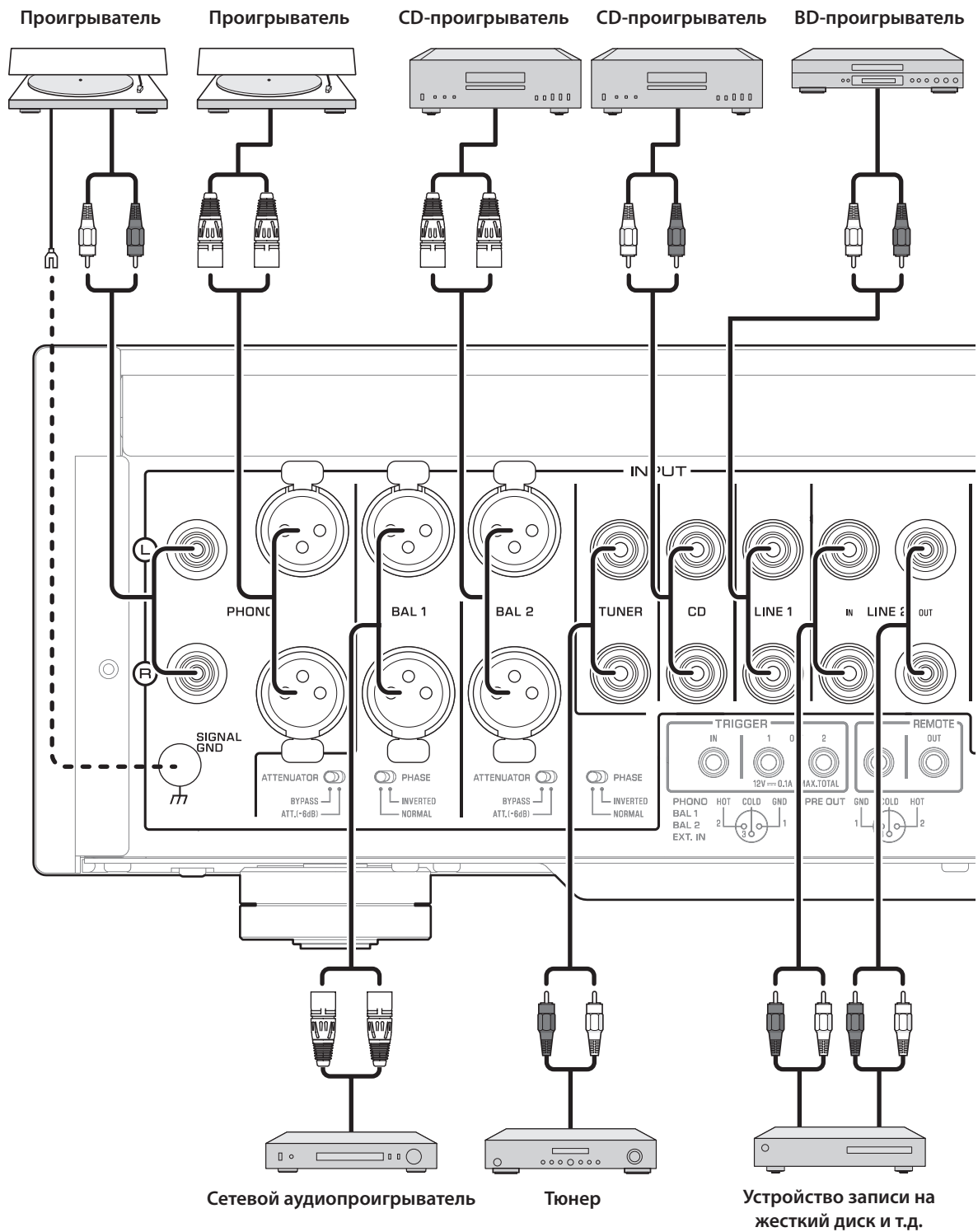
Отключите питание всех компонентов перед выполнением подключений.

УВЕДОМЛЕНИЕ

- Не используйте симметричные и несимметричные соединения между двумя компонентами одновременно. Это может сформировать контур заземления, который создает статические помехи и шум.
- Если вы планируете подключение внешних компонентов, ознакомьтесь с руководствами по этим компонентам и следуйте указанным в них инструкциям. В противном случае может возникнуть неисправность аппарата или внешних компонентов.

C-5000

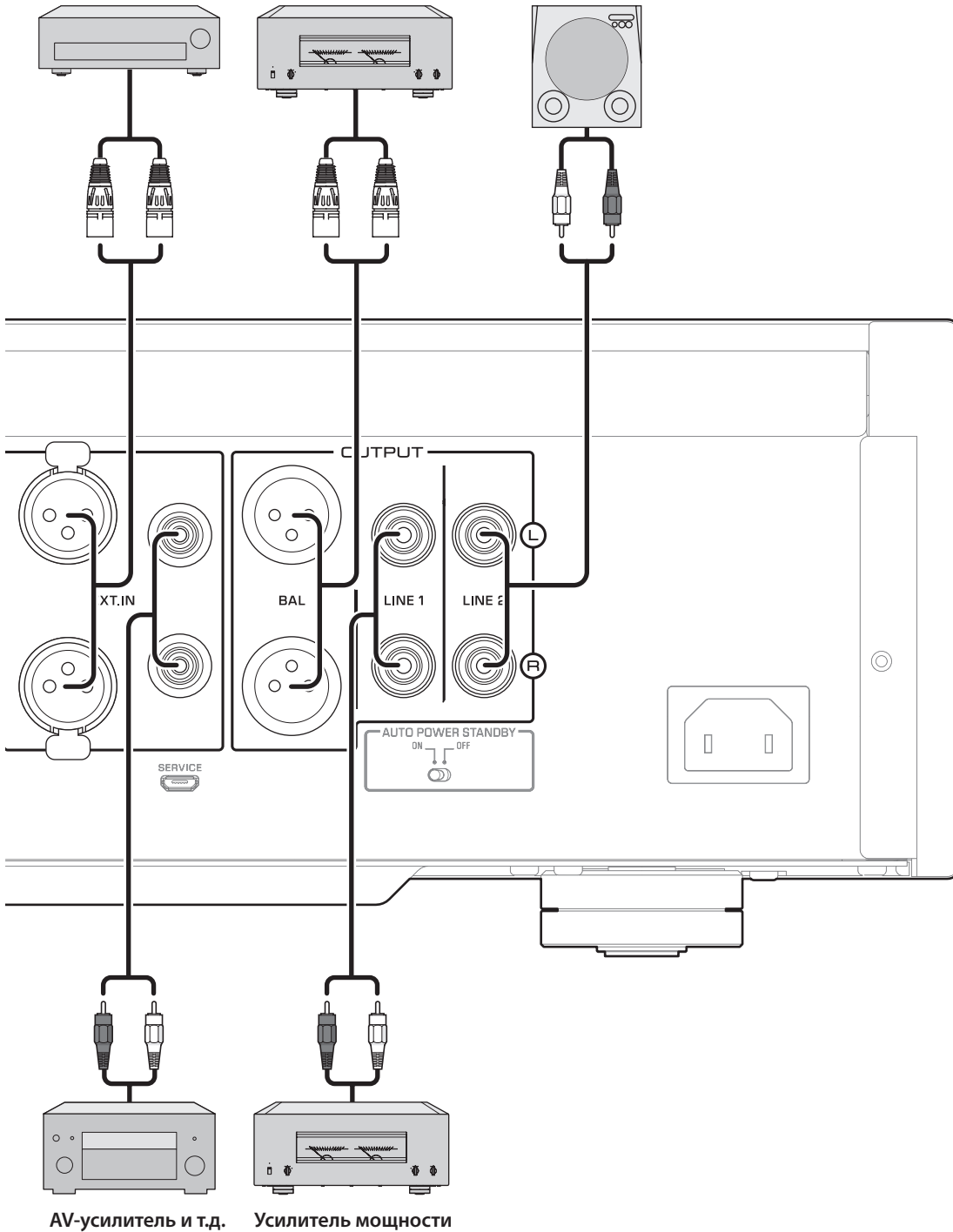
Подключение внешнего компонента



Другой предусилитель

Усилитель мощности

Активный сабвуфер



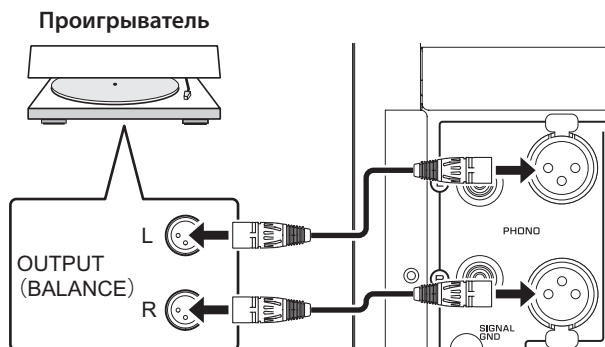
УВЕДОМЛЕНИЕ

Не используйте симметричные и несимметричные соединения между двумя компонентами одновременно. Это может сформировать контур заземления, который создает статические помехи и шум.

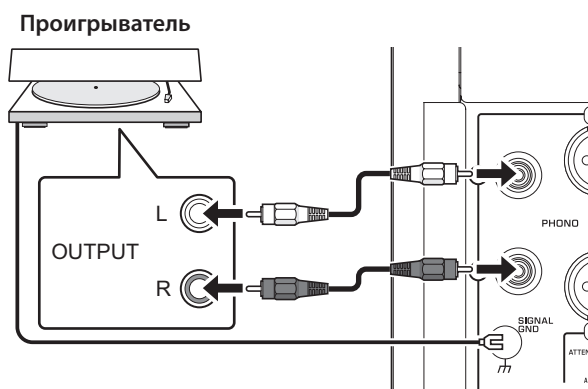
Подключение проигрывателя

Подключите проигрыватель к гнездам PHONO на аппарате. Данный аппарат имеет симметричные гнезда типа XLR и несимметричные входные гнезда типа RCA.

Симметричное соединение



Несимметричное соединение



Примечание

При подключении проигрывателя к гнездам RCA на аппарате послушайте и сравните звук при подключенном и неподключенном терминале SIGNAL GND (заземление), а затем выберите вариант с меньшим количеством шума.

УВЕДОМЛЕНИЕ

Не используйте симметричные и несимметричные соединения между аппаратом и проигрывателем одновременно. Это может сформировать контур заземления, который создает статические помехи и шум.

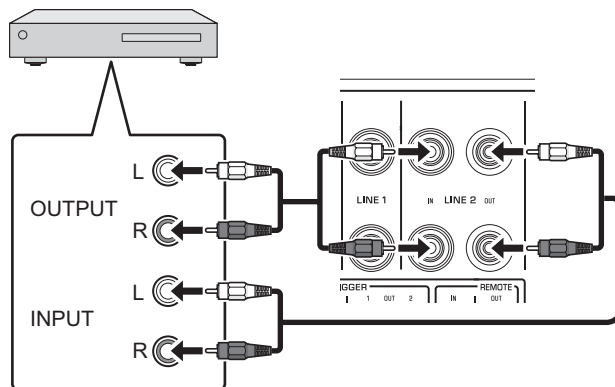
Подключение записывающего компонента

Можно подключить к аппарату записывающее устройство, например, устройство записи на жесткий диск, и записывать входной аудиосигнал с аппарата. Подключите записывающий компонент к гнездам LINE 2 IN и LINE 2 OUT (запись).

Примечание

- Убедитесь в том, что гнезда LINE 2 IN и LINE 2 OUT (запись) подключены к одному компоненту.
- Сигнал из гнезд LINE 2 OUT (запись) фактически идентичен сигналу и выходных гнезд, определяемых селектором OUTPUT. Если селектор INPUT установлен в положение LINE 2, сигнал через гнезда LINE 2 OUT (запись) выводиться не будет.

Устройство записи на жесткий диск и т.д.



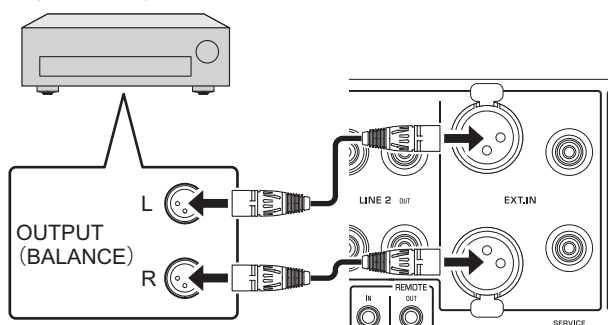
Подключение другого предусилителя

Если вы подключаете выходные гнезда другого предусилителя к гнездам EXT. IN на аппарате и нажимаете на переключатель EXT. DIRECT, исходный сигнал будет проходить через аппарат и выводиться через подключенный усилитель мощности. Исходный сигнал, вводимый через симметричные гнезда EXT. IN, будет выводиться через симметричные гнезда BAL. Исходный сигнал, вводимый через несимметричные гнезда EXT. IN, будет выводиться через гнезда LINE 1 и LINE 2.

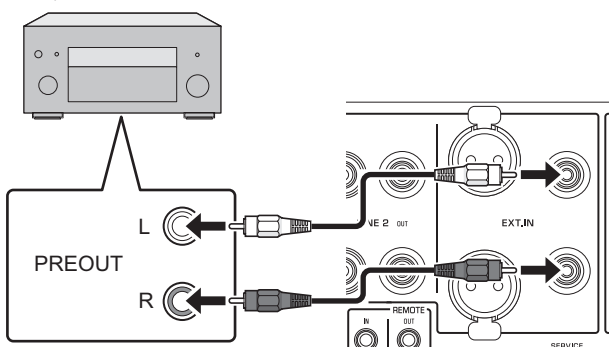
Примечание

Если включен переключатель EXT. DIRECT, звук не будет слышен в наушниках, подключенных к гнезду PHONES.

Другой предусилитель



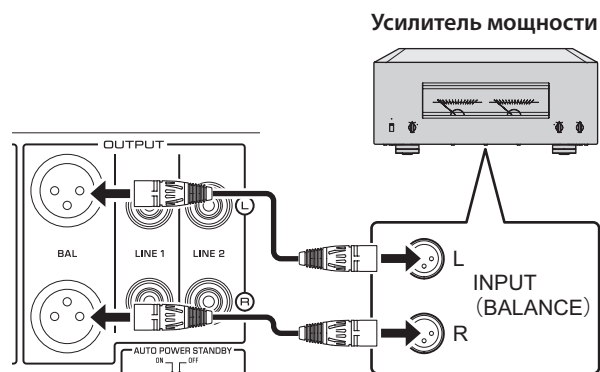
AV-усилитель и т.д.



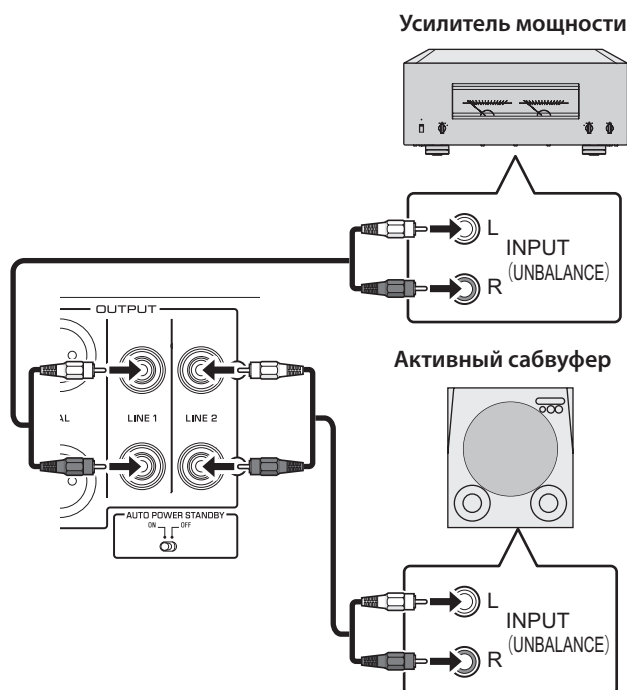
Подключение усилителя мощности и активного сабвуфера

Можно подключить усилитель мощности и активный сабвуфер к выходным гнездам BAL, LINE 1 или LINE 2 на аппарате.

Симметричное соединение



Несимметричное соединение



УВЕДОМЛЕНИЕ

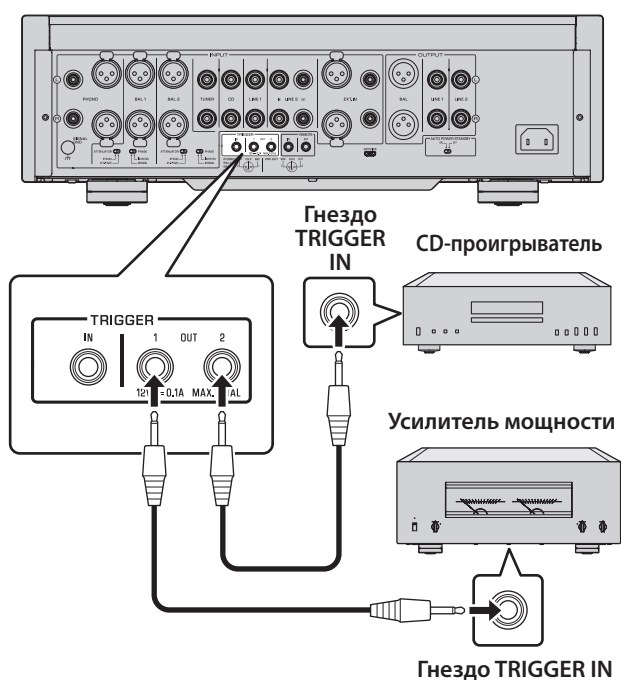
Не используйте симметричные и несимметричные соединения между двумя компонентами одновременно. Это может сформировать контур заземления, который создает статические помехи и шум.

Триггерные соединения

Управление операцией включения и выключения питания подключенного компонента, например, усилителя мощности, синхронно с данным аппаратом

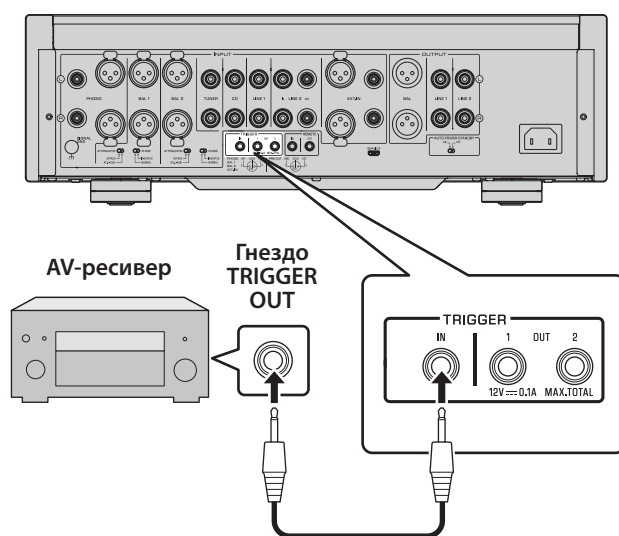
Можно управлять операцией включения и выключения питания подключенного компонента, например, CD-проигрывателя Yamaha или усилителя мощности, синхронно с данным аппаратом

Используйте системный кабель для соединения гнезда TRIGGER OUT на аппарате с гнездом TRIGGER IN на подключенном компоненте.



Управление операцией включения и выключения питания аппарата синхронно с подключенным компонентом, например, AV-ресивером

Можно управлять операцией включения и выключения питания аппарата синхронно с подключенным компонентом, например, AV-ресивером Yamaha. Используйте дополнительный системный кабель для соединения гнезда TRIGGER IN на аппарате с гнездом TRIGGER OUT на подключенном компоненте. Когда аппарат находится в режиме ожидания, при включении питания на подключенном компоненте произойдет включение аппарата, а сигнал, передаваемый через гнезда EXT. IN будет выбран в качестве источника входного сигнала. При выключении питания подключенного компонента данный аппарат переходит в режим ожидания.



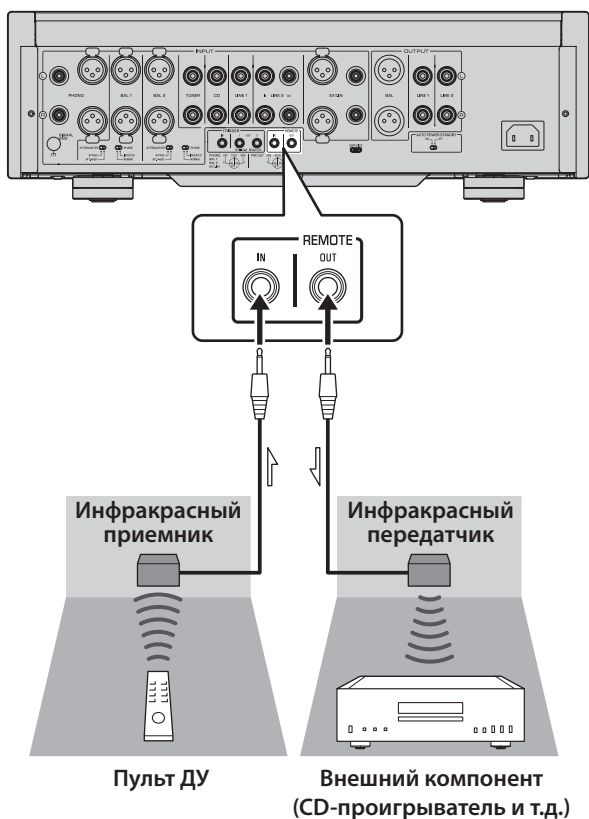
Примечание

- Когда переключатель питания на аппарате установлен в положение OFF, питание аппарата не будет включаться с подключенного компонента.
- Если источник входного сигнала не выбран с помощью переключателя EXT. DIRECT, то при выключении питания подключенного компонента не произойдет выключение питания аппарата.

Дистанционные соединения

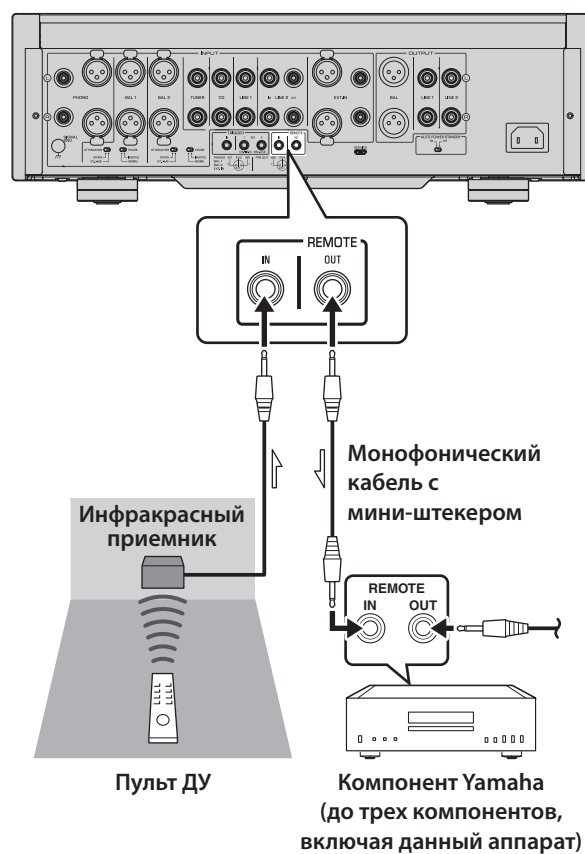
Управление аппаратом из другой комнаты

При подключении инфракрасного приемника и передатчика к гнездам REMOTE IN/OUT на аппарате можно управлять аппаратом и/или внешним компонентом из другой комнаты с помощью прилагаемого пульта ДУ.



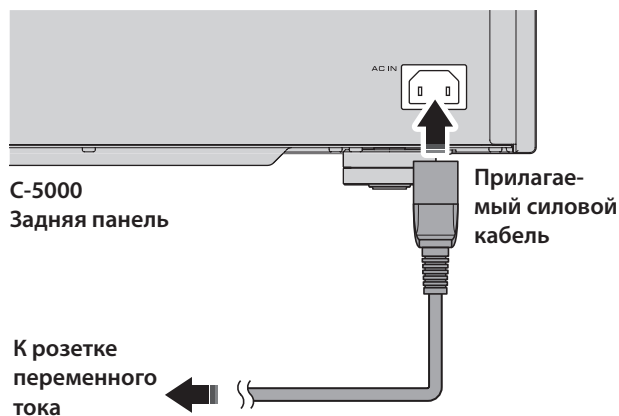
Дистанционное соединение между компонентами Yamaha

При наличии другого компонента Yamaha, который поддерживает функцию дистанционного соединения, как и данный аппарат, нет необходимости в инфракрасном передатчике. Можно передавать дистанционные сигналы, подключив инфракрасный приемник к гнезду REMOTE IN на аппарате, а гнезду REMOTE OUT другого компонента соединить с гнездом REMOTE OUT на аппарате с помощью монофонических кабелей с мини-штекером. Можно настроить до трех компонентов Yamaha (включая данный аппарат) на дистанционное соединение.



Подключение силового кабеля

После завершения всех подключений убедитесь в том, что переключатель STANDBY/ON/OFF (Питание) выключен, затем подсоедините силовой кабель к разъему AC IN на аппарате, а затем подключите силовой кабель к розетке переменного тока.



- Подключите аппарат к розетке переменного тока, которая отчетливо видна и легко достигаема, что позволит быстро отключить аппарат от розетки в экстренной ситуации. Даже если переключатель питания выключен, минимальный электрический ток будет продолжать протекать через аппарат, пока вы не отключите аппарат от розетки переменного тока.
- Если приближается гроза, немедленно выключите питание аппарата и отсоедините вилку силового кабеля от розетки переменного тока. В противном случае это может привести к пожару или неисправности.
- Если вы не планируете использовать аппарат в течение длительного периода времени, обязательно отсоедините силовой кабель от розетки переменного тока. В противном случае это может привести к пожару или неисправности.



ПРЕДУПРЕЖДЕНИЕ

- Если вы заметили любое из следующих аномальных условий, немедленно выключите питание аппарата и отсоедините вилку силового кабеля от розетки переменного тока.
 - Силовой кабель или вилка повреждены.
 - От аппарата исходит запах, странный шум или дым.
 - На аппарат пролилась жидкость или внутрь него попали предметы.
 - Звук неожиданно отключается во время использования.
 - На аппарате есть трещины или повреждения.

В противном случае дальнейшее использование аппарата может привести к поражению электрическим током, пожару или неисправности. Обратитесь к ближайшему дилеру Yamaha или в сервисный центр для проведения проверки и ремонта.

- Не прикасайтесь к силовому кабелю или вилке во время грозы. В противном случае это может привести к поражению электрическим током.
- Обязательно используйте электрическую розетку с напряжением, указанным на аппарате. Если аппарат подключен к розетке в несоответствующем напряжением, это может привести к пожару, поражению электрическим током или неисправности.
- Используйте только прилагаемый силовой кабель. Не используйте прилагаемый силовой кабель для других устройств. В противном случае это может привести к пожару, возгоранию или неисправности.



ВНИМАНИЕ

- Не используйте розетку переменного тока, которая ослаблена настолько, что вилка не держится в ней крепко. В противном случае это может привести к пожару, поражению электрическим током или возгоранию.
- При отключении силового кабеля от розетки переменного тока держитесь за вилку; не тяните за провод. В противном случае силовой кабель может быть поврежден, что вызовет пожар или поражение электрическим током.
- Вставьте вилку плотно до упора в розетку переменного тока. Если вилка не вставлена до упора, использование аппарата может привести к поражению электрическим током. Либо пыль может скапливаться на вилке и вызвать пожар или возгорание.

УВЕДОМЛЕНИЕ

Если вы не планируете использовать аппарат в течение длительного периода времени, обязательно отсоедините силовой кабель от розетки переменного тока. Даже если переключатель STANDBY/ON/OFF выключен (индикатор питания не горит), минимальный электрический ток будет продолжать протекать через аппарат.

Операции

В данном разделе описываются процедуры выполнения основных операций. Следуйте данным инструкциям, чтобы воспользоваться функциями аппарата. Описанные процедуры представлены только в качестве примеров.

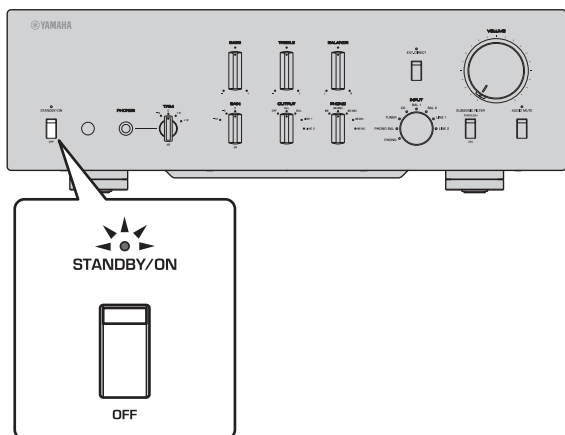
Включение питания



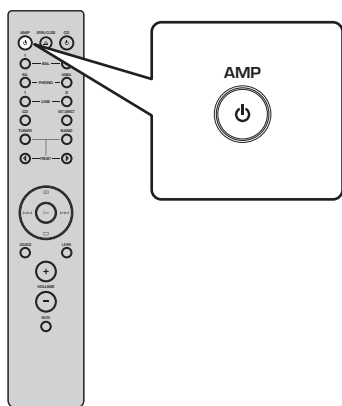
ВНИМАНИЕ

Обязательно уменьшите уровень громкости до минимума перед включением питания.

Включите питание, установив переключатель **STANDBY/ON/OFF** (Питание) на передней панели в положение **STANDBY/ON**.



Если аппарат находится в режиме ожидания, можно также включить питание с помощью пульта ДУ.



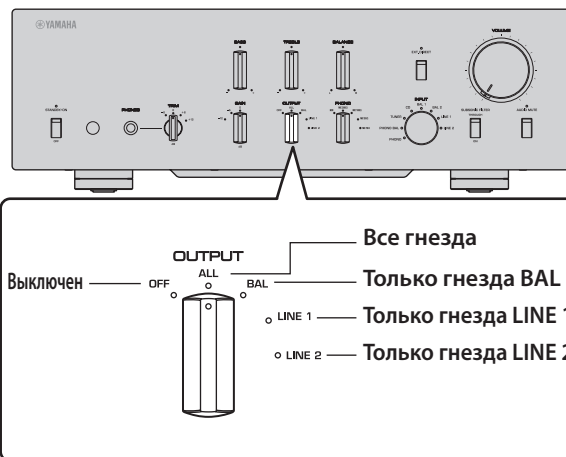
УВЕДОМЛЕНИЕ

Включите питание всех компонентов в следующей последовательности: усилитель мощности, предусилитель (данный аппарат), другие компоненты (например, CD-проигрыватель и тюнер).

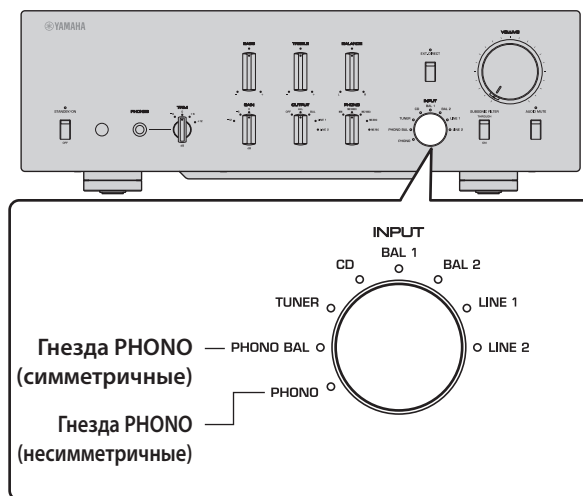
Выключение питания выполняется в обратной последовательности.

Выбор входа и выхода

Выберите пару выходных гнезд с помощью селектора **OUTPUT**.

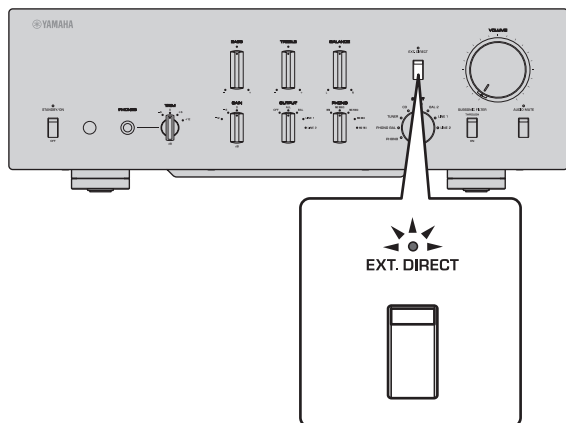


Выберите источник аудиосигнала с помощью селектора **INPUT**.



Загорятся соответствующие индикаторы.

Выбор входного сигнала из гнезд EXT.IN



Нажмите на переключатель EXT. DIRECT. Загорится индикатор EXT. DIRECT. Селектор INPUT будет отключен, и источник аудиосигнала, вводимый через гнезда EXT. IN, будет выводиться через пару выходных гнезд. Исходный сигнал, вводимый через симметричные входные гнезда, будет выводиться через симметричные выходные гнезда BAL. Исходный сигнал, вводимый через входные гнезда LINE, будет выводиться через выходные гнезда LINE 1 и LINE 2.

При повторном нажатии на переключатель EXT. DIRECT или при повороте селектора INPUT сигнал, определяемый селектором INPUT, станет источником входного сигнала. Индикатор EXT. DIRECT погаснет.

Примечание

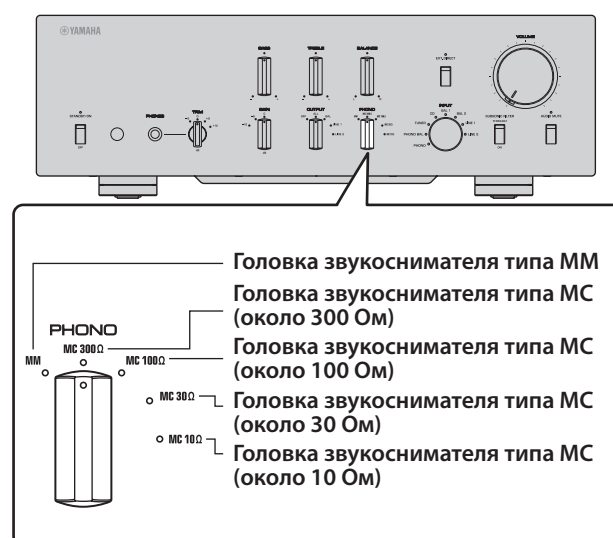
Если выбран переключатель EXT. DIRECT, сигнал не будет выводиться через гнезда LINE 2 OUT (запись) и через гнездо PHONES.

Настройка входного сигнала проигрывателя

Селектор PHONO

Установите селектор PHONO в положение, соответствующее головке звукоснимателя проигрывателя.

Варианты настройки для головки звукоснимателя проигрывателя



ВНИМАНИЕ

Если на проигрывателе используется головка звукоснимателя типа MM, обязательно установите селектор PHONO в положение MM.

Примечание

Обозначения сопротивления на селекторе PHONO указывают приблизительные значения. Послушайте и проверьте звук с разными настройками сопротивления, чтобы выбрать наиболее подходящий вариант.

УВЕДОМЛЕНИЕ

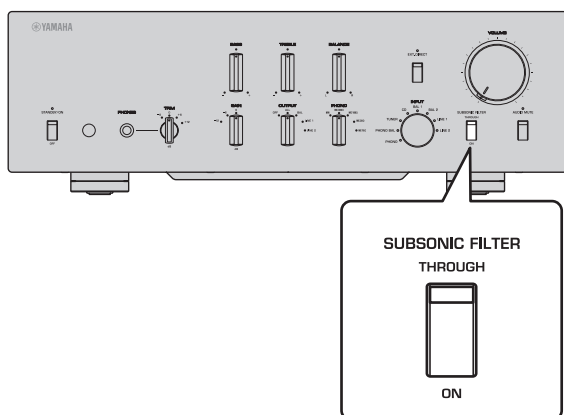
Перед заменой головки звукоснимателя обязательно отключите питание аппарата.

Настройка уровня громкости

Инфразвуковой фильтр

Включите переключатель SUBSONIC FILTER, чтобы применить инфразвуковой фильтр при необходимости.

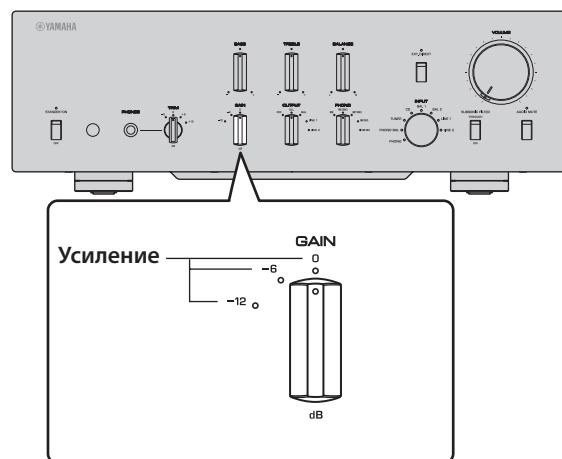
Резонирующий тонарм проигрывателя или деформированная виниловая пластинка могут вызывать очень низкочастотный рокот (инфразвуковой шум), который может создавать нагрузку или повреждения для колонок. Инфразвуковой фильтр позволяет устранить такой шум, чтобы защитить колонки.



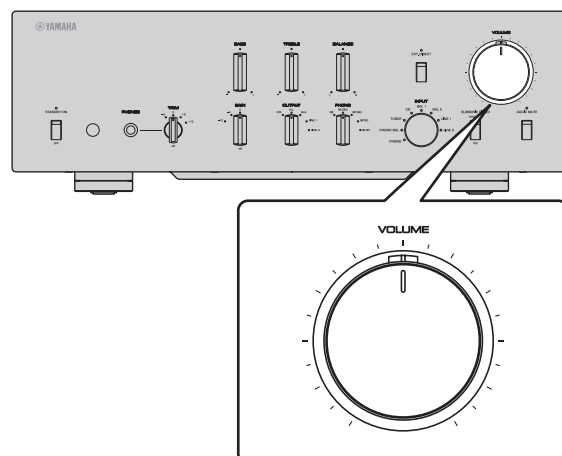
Примечание

Инфразвуковой фильтр отключен, если в качестве источника входного сигнала выбран любой источник аудиосигнала, отличный от проигрывателя (подключенный к гнездам PHONO), даже если переключатель SUBSONIC FILTER включен.

Настройте усиление с помощью селектора GAIN, чтобы выполнить тонкую регулировку громкости.

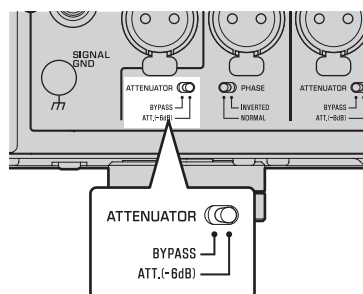


Настройте уровень громкости с помощью регулятора VOLUME.



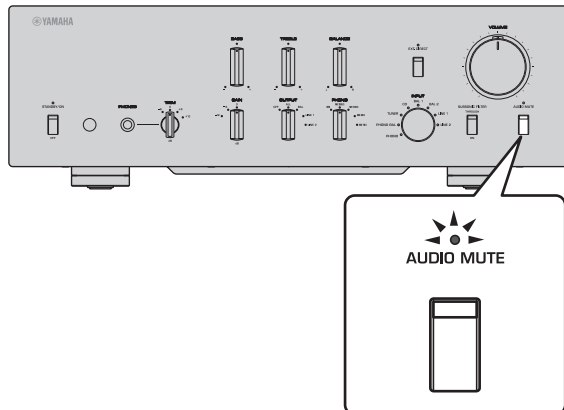
Примечание

Если вы слышите искажение даже в нижнем положении регулятора VOLUME, сигнал может превышать допустимый входной уровень. Если источник аудиосигнала вводится через симметричные входные гнезда (BAL 1 или BAL 2), установите селектор ATTENUATOR в положение ATT. (-6 дБ).



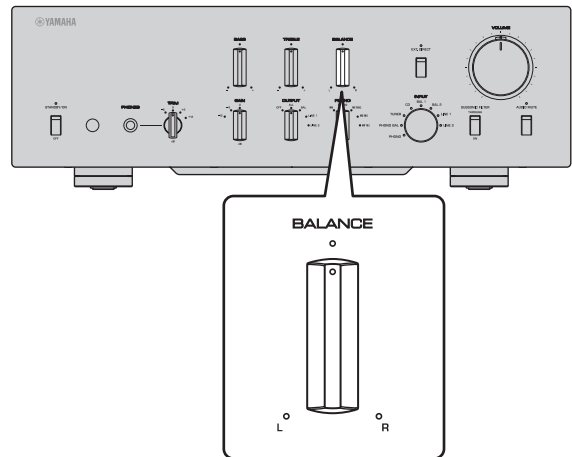
Мгновенное уменьшение уровня громкости

Нажмите на переключатель AUDIO MUTE для уменьшения текущего уровня громкости приблизительно на 20 дБ. Нажмите на переключатель еще раз для восстановления предыдущего уровня громкости.

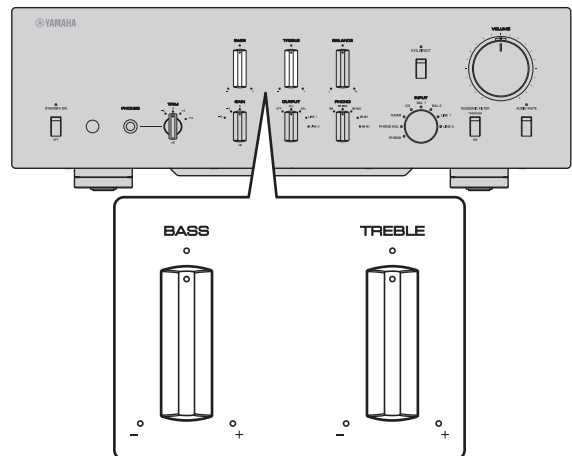


Настройка тембра

Настройте баланс уровня громкости между правой и левой колонкой с помощью регулятора BALANCE.



Настройте уровень громкости высокого и низкого диапазона с помощью регуляторов BASS и TREBLE.

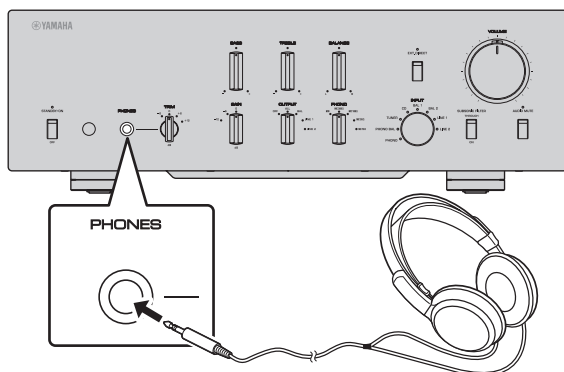


Примечание

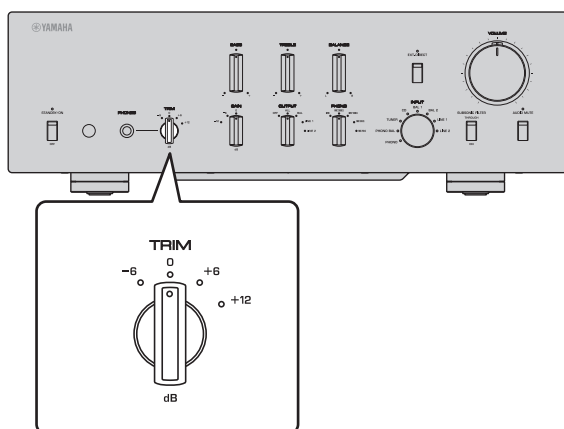
- Если оба регулятора BASS и TREBLE установлены в центральное положение, аудиосигнал будет обходить схему управления тембром.
- Настройки регуляторов BASS, TREBLE и BALANCE не повлияют на сигналы, вводимые через гнезда EXT. IN, и на сигналы, выводимые через гнезда LINE 2 OUT (запись).

Подключение наушников

Если наушники подключены к гнезду PHONES, сигнал не будет выводиться через выходные гнезда (выходные гнезда BAL, LINE 1 и LINE 2) на задней панели.



С помощью селектора TRIM переключите усиление наушников, чтобы настроить баланс уровня между аудиосигналом, выводимым через гнездо PHONES, и колонками во избежание внезапных изменений громкости.



Примечание

Если выбран переключатель EXT. DIRECT, сигнал не будет выводиться через гнездо PHONES.

Справочные материалы

C-5000

Общие технические характеристики

Номинальное выходное напряжение/выходное сопротивление
(вход 200 мВ, от 20 Гц до 20 кГц, КНИ 0,01%)

BAL (BYPASS)
... 2 В, среднеквадратичное значение/150 Ом
BAL (ATT. -6 дБ)
... 1 В, среднеквадратичное значение/150 Ом
LINE 1/LINE 2
... 1 В, среднеквадратичное значение/150 Ом
LINE 2 OUT (запись)
... 200 мВ, среднеквадратичное значение/
1,2 кОм

Максимальная выходная напряжение
(1 кГц, КНИ 0,05%)

BAL ... 6 В, среднеквадратичное значение
LINE 1/LINE 2
... 3 В, среднеквадратичное значение
LINE 2 OUT (запись)
... 3 В, среднеквадратичное значение

Входная чувствительность/входное сопротивление

BAL/LINE 1/LINE 2, 1 В

BAL 1/BAL 2
... 200 мВ, среднеквадратичное значение/52 кОм
TUNER/CD/LINE 1/LINE 2 IN
... 200 мВ, среднеквадратичное значение/47 кОм
EXT.IN
... 1 В, среднеквадратичное значение/20 кОм

LINE 2 OUT (запись) (150 мВ, 1 кГц)

PHONO (MC 300 Ом)
... 100 мкВ, среднеквадратичное значение/300 Ом
PHONO (MC 100 Ом)
... 100 мкВ, среднеквадратичное значение/100 Ом
PHONO (MC 30 Ом)
... 100 мкВ, среднеквадратичное значение/30 Ом
PHONO (MC 10 Ом)
... 100 мкВ, среднеквадратичное значение/10 Ом
PHONO (MM, тип XLR)
... 2,5 мВ, среднеквадратичное значение/52 кОм
PHONO (MM, тип RCA)
... 2,5 мВ, среднеквадратичное значение/47 кОм

Максимальное напряжение входного сигнала LINE 2 OUT (запись) (1 кГц, КНИ 0,05%)

BAL (BYPASS)
... 2,8 В, среднеквадратичное значение
BAL (ATT. -6 дБ)
... 5,6 В, среднеквадратичное значение
TUNER/CD/LINE 1/LINE 2 IN
... 2,8 В, среднеквадратичное значение
PHONO (MC)
... 2 мВ, среднеквадратичное значение
PHONO (MM)
... 50 мВ, среднеквадратичное значение
EXT.IN ... 5,6 В, среднеквадратичное значение

Частотная характеристика (JEITA, нагрузка 22 кОм)

от 10 Гц до 100 кГц ... +0/-3 дБ
от 20 Гц до 20 кГц ... +0/-0,3 дБ

Коэффициент нелинейных искажений с учётом шума (JEITA, вход 0,5 В, от 20 Гц до 20 кГц)

BAL 1/BAL 2/TUNER/CD/LINE 1/LINE 2 IN →
BAL/LINE 1/LINE 2 ... 0,0100%
PHONO (MC) → LINE 2 OUT (запись) ... 0,0200%
PHONO (MM) → LINE 2 OUT (запись) ... 0,0200%

Разделение канала
(вход 1,0 кОм, замкнутый, 1 кГц/10 кГц, JEITA)

BAL 1/BAL 2/TUNER/CD/LINE 1/LINE 2 IN
... 110 дБ или выше
PHONO (MC) ... 80 дБ или выше
PHONO (MM) ... 98 дБ или выше

Разделение функции
(сеть IHF-A, вход 1,0 кОм, замкнутый, JEITA)

BAL 1/BAL 2/TUNER/CD/LINE 1/LINE 2 IN
... 110 дБ или выше
PHONO (MC) ... 75 дБ или выше
PHONO (MM) ... 95 дБ или выше

Соотношение сигнал/шум
(сеть IHF-A, вход 1,0 кОм, замкнутый, JEITA)

BAL 1/BAL 2/TUNER/CD/LINE 1/LINE 2 IN
... 110 дБ или выше
PHONO (MC 300Ω) ... 80 дБ или выше
PHONO (MM) ... 98 дБ или выше

Остаточный шум (сеть IHF-A)

BAL/LINE 1/LINE 2 3 мкВ

Характеристики регулировки тембра

Низкие частоты

Подъем/срез 30 Гц/±9 дБ

Частота перехода 350 Гц

Высокие частоты

Подъем/срез 20 кГц/±9 дБ

Частота перехода 3,5 кГц

Номинальная выходная мощность разъема для наушников (1 кГц, 32 Ом, 0,2% КНИ)

..... 35 мВт + 35 мВт

Выравнивание отклонения RIAA

МС/ММ ±0,5 дБ

Характеристики инфразвукового фильтра

МС/ММ 15 Гц/–3 дБ

Источник питания

[Модели для США и Канады]

..... 120 В переменного тока, 60 Гц

[Модель для Китая]

..... 220 В переменного тока, 50 Гц

[Модель для Кореи]

..... 220 В переменного тока, 60 Гц

[Модель для Австралии]

..... 240 В переменного тока, 50 Гц

[Модель для Соединенного Королевства и стран Европы] . . . 230 В переменного тока, 50 Гц

[Модель для Азии]

..... 220–240 В переменного тока, 50 Гц/60 Гц

[Модели для Центральной и Южной Америки и Тайваня]. 110 В переменного тока, 60 Гц

Энергопотребление

..... 60 Вт

Энергопотребление в режиме ожидания

Выключенное состояние. 0,1 Вт

Режим ожидания 0,2 Вт

Размеры (Ш x В x Г)

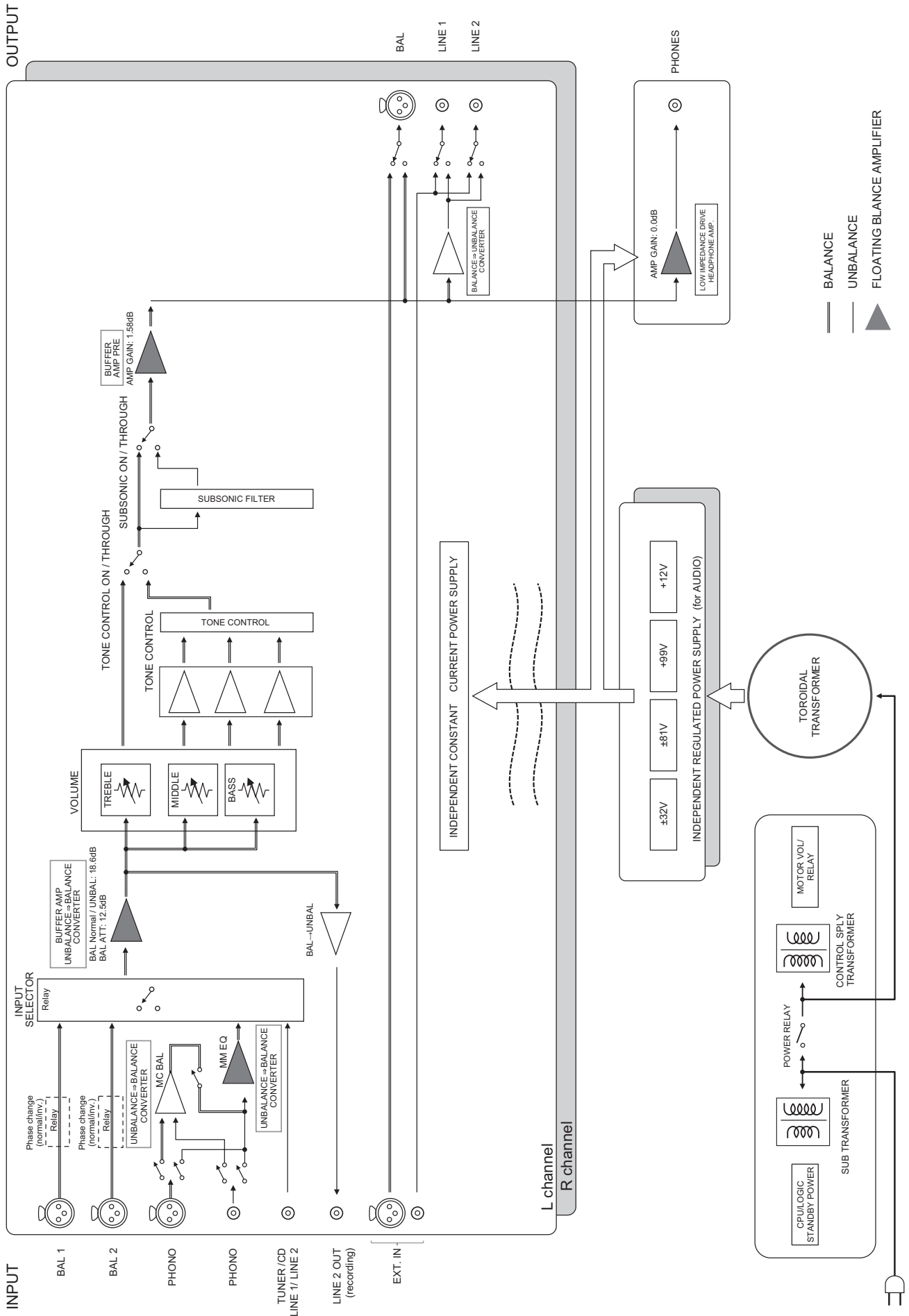
..... 435 × 142 × 451 мм

Вес

..... 19,1 кг

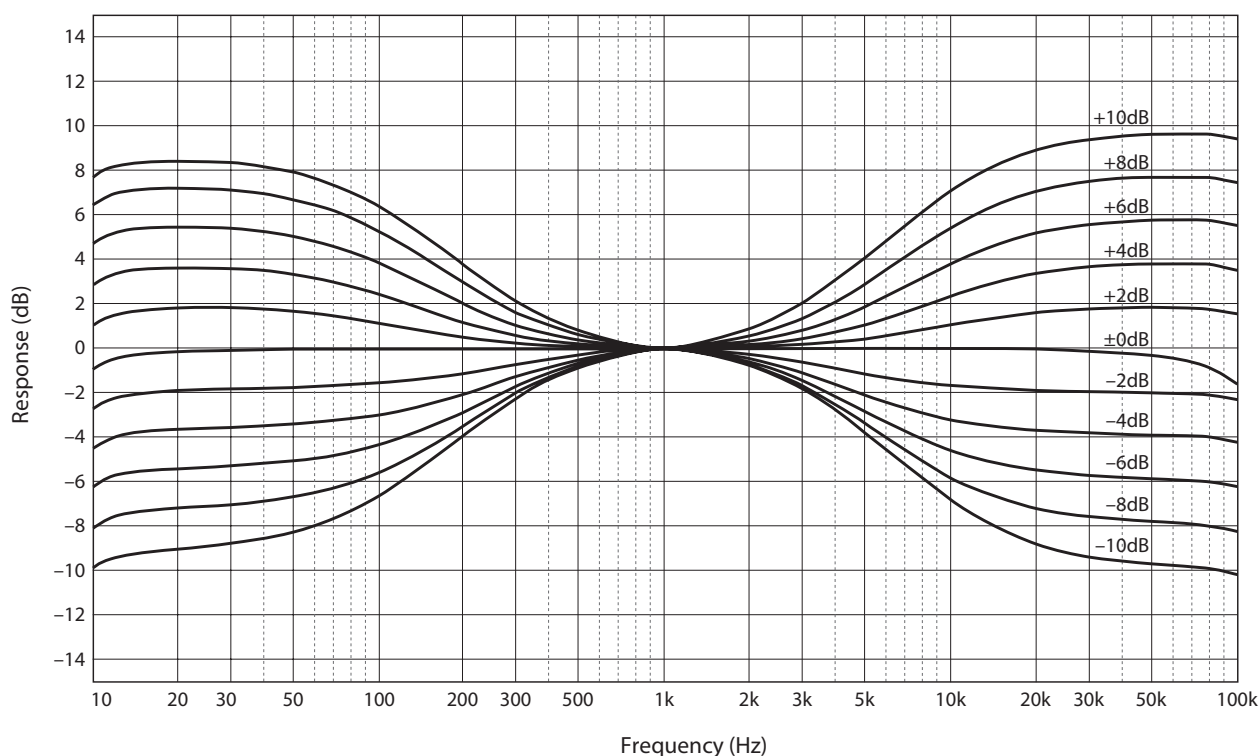
* В содержании данного руководства приведены последние на момент публикации технические характеристики. Для получения последней версии руководства посетите веб-сайт корпорации Yamaha и загрузите файл с руководством.

Блок-схема

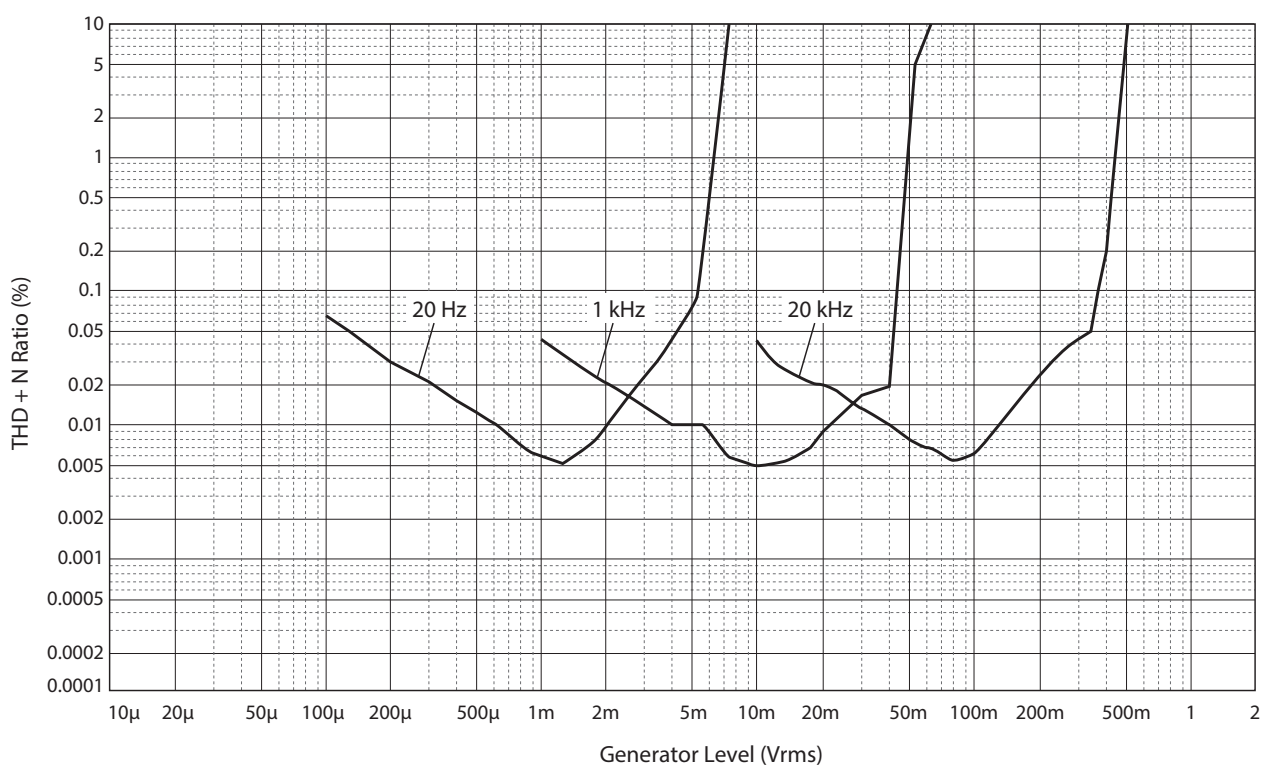


Характеристики аудиосигнала

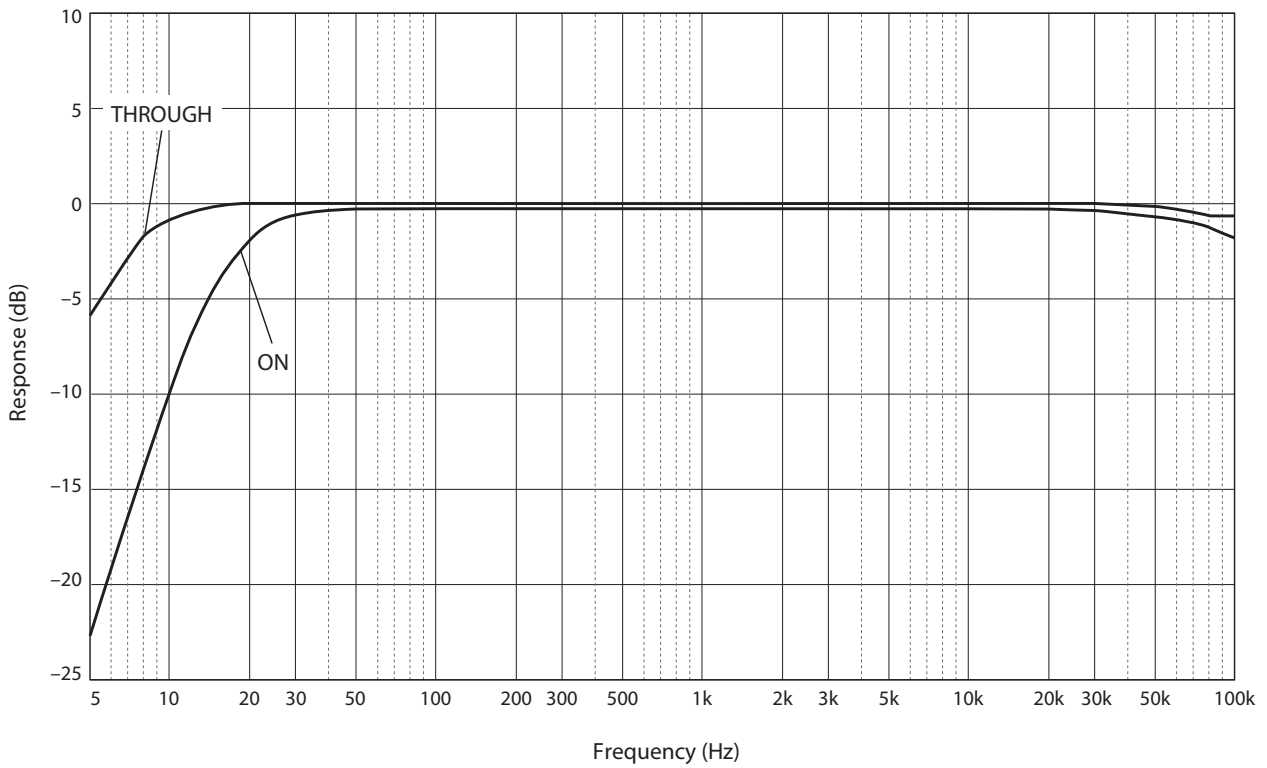
Частотная характеристика (регулировка тембра)



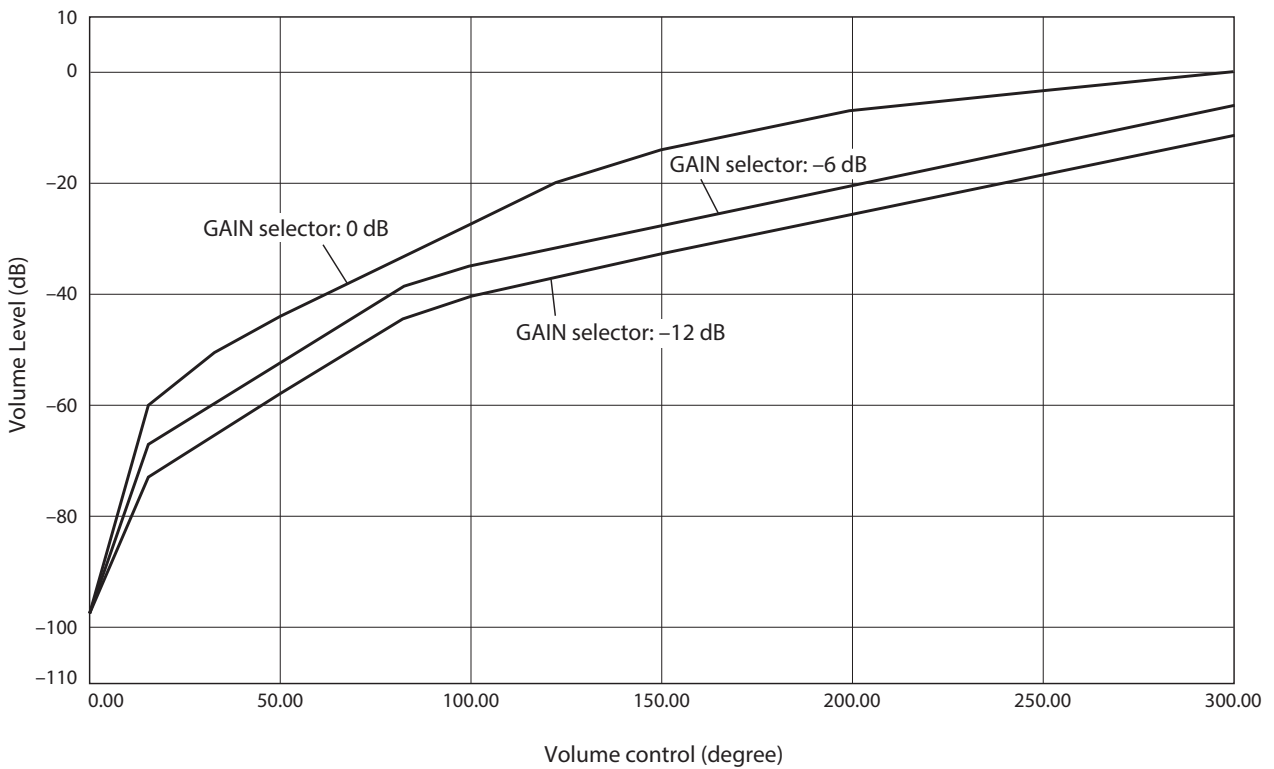
Коэффициент нелинейных искажений (PHONO)



Инфразвуковой фильтр



Кривая громкости



Возможные неисправности и способы их устранения

Если данный аппарат работает неправильно, см. таблицу ниже. Если неисправность не указана в таблице или вы не смогли устранить ее, следуя инструкциям таблицы, отключите аппарат, отсоедините силовой кабель и обратитесь к ближайшему авторизованному дилеру или в сервисный центр Yamaha.

Неисправность	Причина	Способ устранения	См. стр.
Питание не включается.	Силовой кабель не подключен к разъему AC IN на задней панели или не включен в розетку переменного тока.	Подключите силовой кабель соответствующим образом.	306
	Данный аппарат подвергся сильному электрическому напряжению от внешних источников (например, молния или сильное статическое электричество).	Выключите аппарат, отсоедините силовой кабель от розетки переменного тока, подождите около 30 секунд, а затем снова подключите аппарат.	306
	Имеется проблема с внутренними схемами данного аппарата.	Отсоедините силовой кабель от розетки переменного тока и обратитесь к ближайшему авторизованному дилеру или в сервисный центр Yamaha.	306
Звук не слышен.	Кабели входа/выхода были подключены неправильно.	Правильно подключите кабели. Если неисправность сохраняется, кабели могут быть дефектными.	300
	Не был выбран соответствующий источник.	С помощью селектора INPUT на передней панели (или одной из селекторных кнопок источника входного сигнала на пульте ДУ) выберите соответствующий источник входного сигнала.	308
	Положение селектора OUTPUT не соответствует используемым выходным гнездам.	Выберите соответствующий выход с помощью селектора OUTPUT.	308
Невозможно отрегулировать уровень громкости.	Вариант EXT. DIRECT выбран в качестве источника входного сигнала.	Отрегулируйте громкость на подключенном компоненте. Либо подключите внешний компонент к паре входных гнезд, отличных от гнезд EXT. IN, а затем выберите соответствующий источник входного сигнала.	300 308
Звук слышен из колонки только одного канала.	Воспроизводящий компонент подключен неправильно.	Убедитесь в том, что подключения выполнены правильно. Если неисправность сохраняется, кабели могут быть дефектными.	300

Неисправность	Причина	Способ устранения	См. стр.
Слышен гудящий звук.	Кабели входа/выхода были подключены неправильно.	Правильно подключите кабели. Если неисправность сохраняется, кабели могут быть дефектными.	300
	Проигрыватель не заземлен через терминал GND.	Подключите проигрыватель к терминалу GND данного аппарата.	302
	Симметричные и линейные кабели используются одновременно между двумя компонентами.	Не используйте симметричные и линейные кабели одновременно между двумя компонентами. Это может сформировать контур заземления, который создает статические помехи и шум.	300
Воспроизведение аудиосигнала с компонента, подключенного к симметричным входным гнездам BAL 1 или BAL 2, звучит искаженно.	Уровень сигнала в симметричных входных гнездах превышает допустимый входной уровень.	Если уровень сигнала в симметричных выходных гнездах типа XLR на подключенном воспроизводящем компоненте в два раза больше по сравнению с несимметричными гнездами RCA, установите селектор ATTENUATOR, расположенный под входными гнездами, в положение АТТ. (-6 дБ).	310
В низких частотах отсутствует глубина, когда выбрано значение BAL 1 или BAL 2 (симметричный вход).	Неверное значение полярности.	Выберите правильную полярность с помощью селектора PHASE.	294
Уровень громкости виниловой пластинки слишком низкий.	Переключатель PHONO на передней панели установлен в неправильное положение.	Переведите переключатель PHONO в положение MM или MC в соответствии с типом магнитной головки звукоснимателя проигрывателя.	309
Пульт ДУ не работает надлежащим образом.	Пульт ДУ используется за пределами рабочего диапазона.	Пульт ДУ должен использоваться в пределах максимального расстояния 6 м и под углом не более 30 градусов внеосевого отклонения от сенсора ДУ на передней панели.	298
	Прямое попадание солнечных лучей или освещения (от инвертерной флуоресцентной лампы, стробоскопа и т.д.) на сенсор ДУ на передней панели.	Измените ориентацию источника света или положение аппарата.	298
	Разряженные батарейки.	Поменяйте все батарейки.	298

Указатель

S

SUBSONIC FILTER 310

B

Включение питания 286

Г

Гнездо AC IN 306

Гнездо BAL 293

Гнездо BAL 1 291

Гнездо BAL 2 291

Гнездо External In 303

Гнездо EXT. IN 303

Гнездо LINE 1 293

Гнездо LINE 2 293

Гнездо LINE 2 IN 292

Гнездо LINE 2 OUT (запись) 292

Гнездо PHONES 312

Гнездо Phono 302

Гнездо PHONO 302

Гнездо REMOTE 305

Гнездо SERVICE 293

Гнездо TRIGGER 304

Д

Дистанционное соединение 305

И

Индикатор STANDBY/ON/OFF 286

Индикатор Питание 286

Н

Настройка входного сигнала проигрывателя ... 309

Несимметричное соединение 295

П

Переключатель AUDIO MUTE 311

Переключатель AUTO POWER STANDBY ... 293

Переключатель EXT. DIRECT 309

Переключатель STANDBY/ON/OFF 286

Переключатель SUBSONIC FILTER 310

Переключатель Питание 286

Подключение записывающего компонента ... 302

Подключение наушников 312

Подключение проигрывателя 302

Подключение сабвуфера 303

Подключение усилителя мощности 303

P

Регулятор BALANCE 311

Регулятор BASS 311

Регулятор TREBLE 311

Регулятор VOLUME 310

C

Селектор ATTENUATOR 310

Селектор GAIN 310

Селектор INPUT 308

Селектор OUTPUT 308

Селектор PHASE 294

Селектор PHONO 309

Селектор TRIM 312

Сенсор дистанционного управления 298

Симметричное соединение 294

T

Терминал SIGNAL GND 302

Терминал заземления 302

Терминал заземления сигнала 302

Триггерное соединение 304

Yamaha Global Site
<https://www.yamaha.com/>
Yamaha Downloads
<https://download.yamaha.com/>

Manual Development Group
© 2018 Yamaha Corporation

Published 10/2018 IPEM-B0

YAMAHA CORPORATION

10-1 Nakazawa-cho, Naka-ku, Hamamatsu, 430-8650 Japan

G

VAQ1830